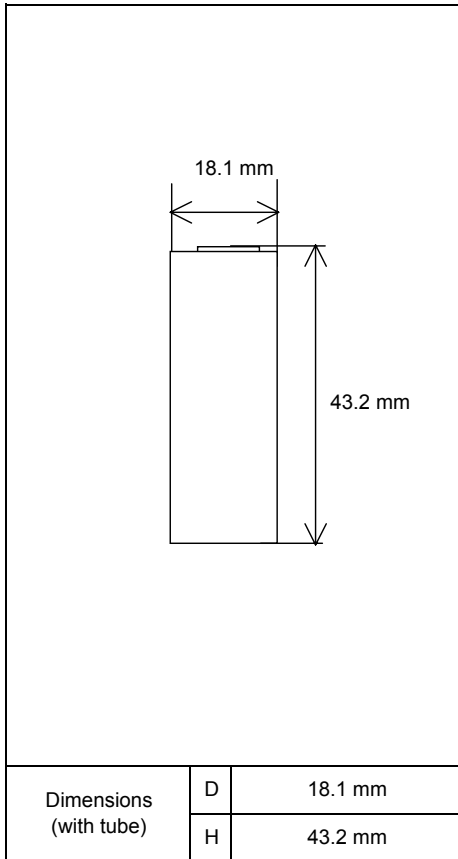


Specifications

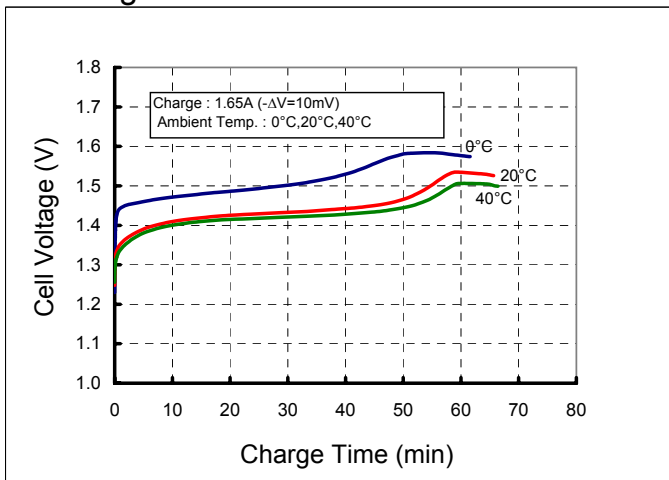


Type : Nickel-Metal Hydride Battery		Size : 4/5FA
Capacity ¹⁾	Typical	1650mAh
	Minimum	1500mAh
Nominal Voltage		1.2V
Charging Current x Time	Fast Charge ²⁾	1650 mA x about 1.1h
Ambient Temp.	Charge Condition	Fast Charge ²⁾ 0°C - 40°C
	Discharge Condition 0°C - 50°C	
	Storage Condition	Less than 30days
Less than 90days		-20°C - 40°C
Less than 1year		-20°C - 30°C
Internal Impedance ³⁾ (after discharge to E.V.=1.0V)		Approx. 6 mΩ(at 1000Hz)
Weight ⁴⁾		Approx. 38 g
Size ⁴⁾ : (Diameter) x (Height)		18.1(D) x 43.2(H) mm

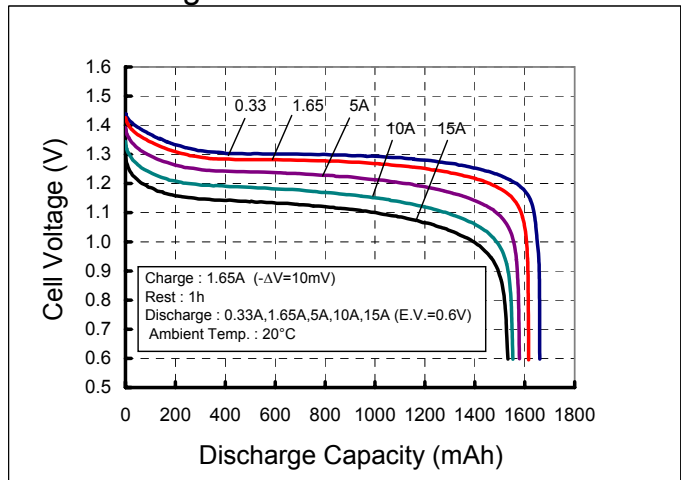
- 1) Single cell capacity under the following condition.
 Charge : 165mA×16h, Discharge : 330mA(E.V.=1.0V) at 20°C
 2) Use recommended charging system.
 3) After a few charge and discharge cycles under the above 1) condition.
 4) With tube.

Typical Characteristics

Charge



Discharge



Free Manuals Download Website

<http://myh66.com>

<http://usermanuals.us>

<http://www.somanuals.com>

<http://www.4manuals.cc>

<http://www.manual-lib.com>

<http://www.404manual.com>

<http://www.luxmanual.com>

<http://aubethermostatmanual.com>

Golf course search by state

<http://golfingnear.com>

Email search by domain

<http://emailbydomain.com>

Auto manuals search

<http://auto.somanuals.com>

TV manuals search

<http://tv.somanuals.com>