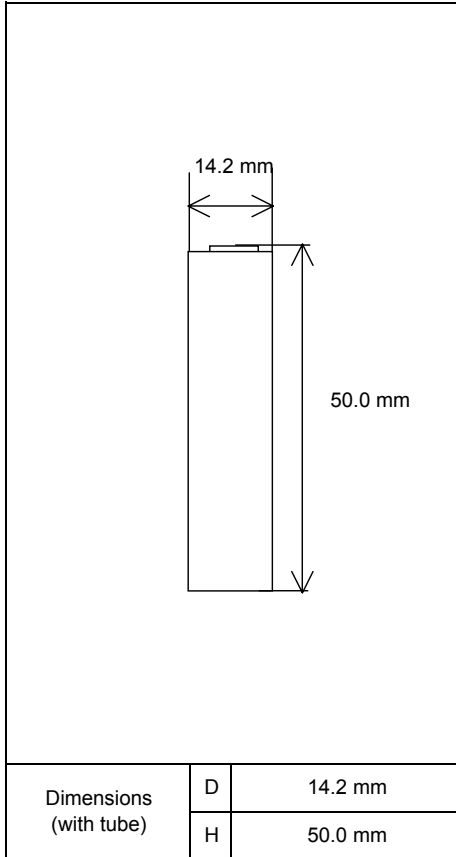


Specifications



| | | | |
|--|---------------------------|---------------------------|--------------|
| Type : Nickel-Metal Hydride Battery | | Size : AA | |
| Capacity ¹⁾ | Typical | 1100mAh | |
| | Minimum | 950mAh | |
| Nominal Voltage | | 1.2V | |
| Charging Current x Time | Fast Charge ²⁾ | 1100 mA x about 1.1h | |
| Ambient Temp. | Charge Condition | Fast Charge ²⁾ | |
| | Discharge Condition | 0°C - 50°C | |
| | Storage Condition | Less than 30days | -20°C - 50°C |
| | | Less than 90days | -20°C - 40°C |
| Less than 1year | | -20°C - 30°C | |
| Internal Impedance ³⁾ (after discharge to E.V.=1.0V) | | About 15mΩ(at 1000Hz) | |
| Weight ⁴⁾ | | About 27 g | |
| Size ⁴⁾ : (Diameter) x (Height) | | 14.2(D) x 50.0(H) mm | |

1)Single cell capacity under the following condition.

Charge : 110mA×16h, Discharge : 220mA(E.V.=1.0V) at 20°C

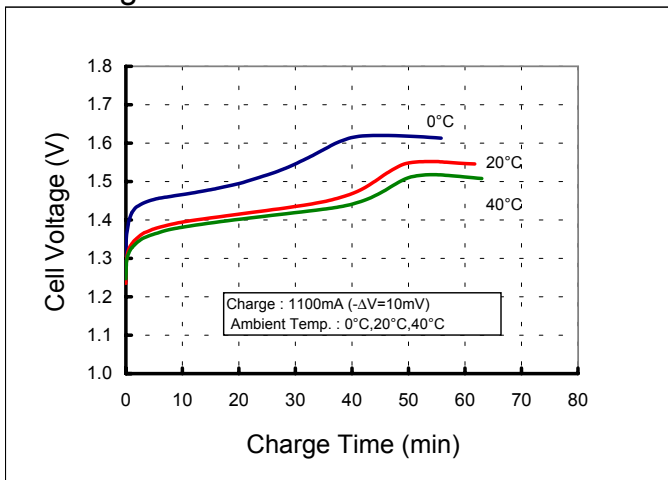
2)Use recommended charging system.

3)After a few charge and discharge cycles under the above 1) condition.

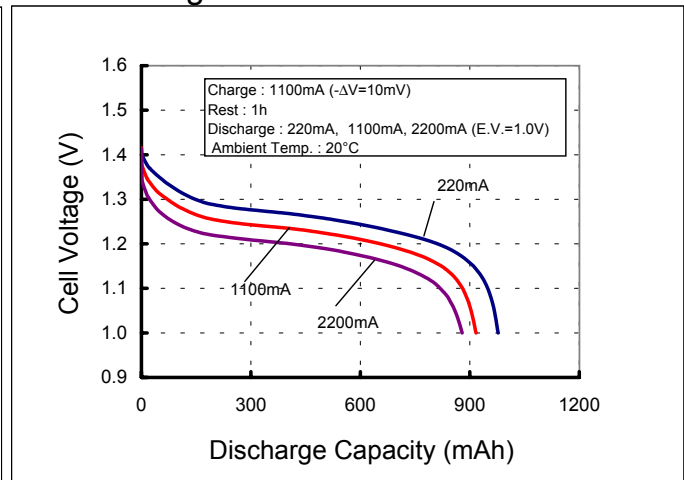
4)With tube.

Typical Characteristics

Charge



Discharge



Free Manuals Download Website

<http://myh66.com>

<http://usermanuals.us>

<http://www.somanuals.com>

<http://www.4manuals.cc>

<http://www.manual-lib.com>

<http://www.404manual.com>

<http://www.luxmanual.com>

<http://aubethermostatmanual.com>

Golf course search by state

<http://golfingnear.com>

Email search by domain

<http://emailbydomain.com>

Auto manuals search

<http://auto.somanuals.com>

TV manuals search

<http://tv.somanuals.com>