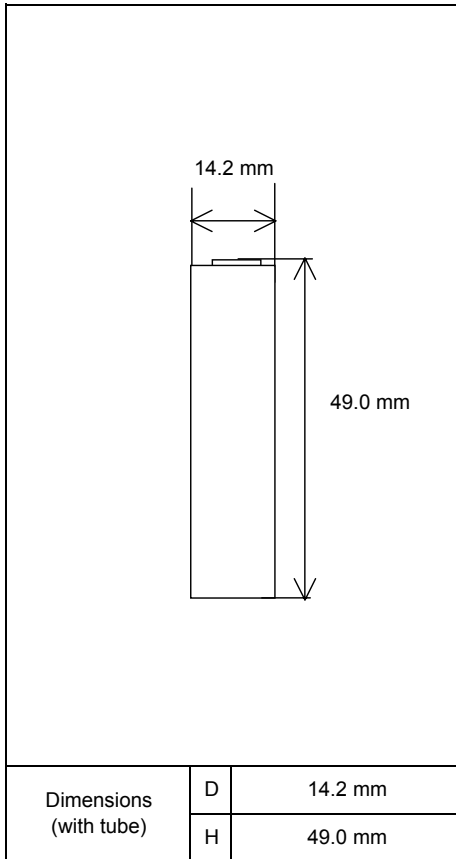


Specifications



Type : Nickel-Metal Hydride Battery		Size : AA	
Capacity ¹⁾	Typical	1450mAh	
	Minimum	1300mAh	
Nominal Voltage		1.2V	
Charging Current x Time	Fast Charge ²⁾	1450 mA x about 1.1h	
Ambient Temp.	Charge Condition	Fast Charge ²⁾	
	Discharge Condition	0°C - 50°C	
	Storage Condition	Less than 30days	-20°C - 50°C
		Less than 90days	-20°C - 40°C
Less than 1year		-20°C - 30°C	
Internal Impedance ³⁾ (after discharge to E.V.=1.0V)		About 25mΩ(at 1000Hz)	
Weight ⁴⁾		About 27 g	
Size ⁴⁾ : (Diameter) x (Height)		14.2(D) x 49.0(H) mm	

1)Single cell capacity under the following condition.

Charge : 145mA×16h, Discharge : 290mA(E.V.=1.0V) at 20°C

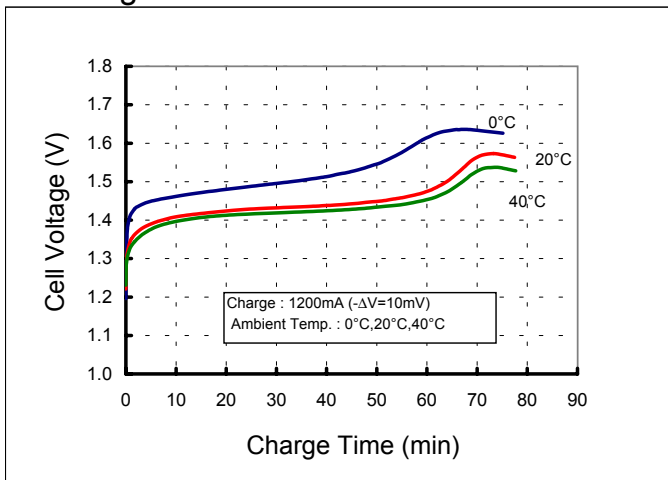
2)Use recommended charging system.

3)After a few charge and discharge cycles under the above 1) condition.

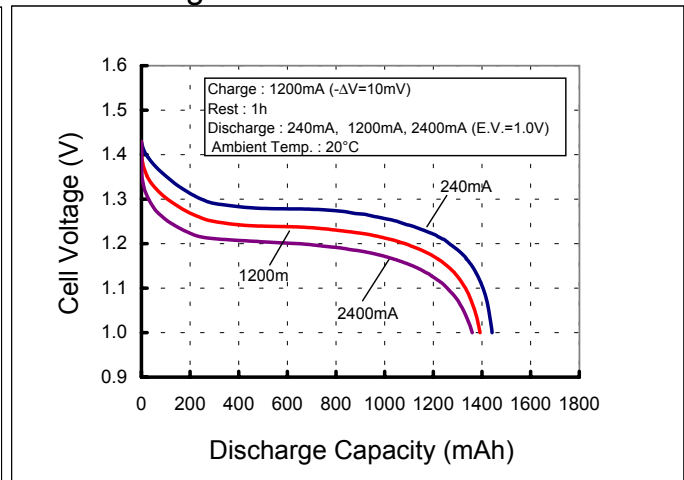
4)With tube.

Typical Characteristics

Charge



Discharge



Free Manuals Download Website

<http://myh66.com>

<http://usermanuals.us>

<http://www.somanuals.com>

<http://www.4manuals.cc>

<http://www.manual-lib.com>

<http://www.404manual.com>

<http://www.luxmanual.com>

<http://aubethermostatmanual.com>

Golf course search by state

<http://golfingnear.com>

Email search by domain

<http://emailbydomain.com>

Auto manuals search

<http://auto.somanuals.com>

TV manuals search

<http://tv.somanuals.com>