

LCD PROJECTOR LENS

MODEL NO. LNS-T03

LENS REPLACEMENT AND INSTALLATION PROCEDURES

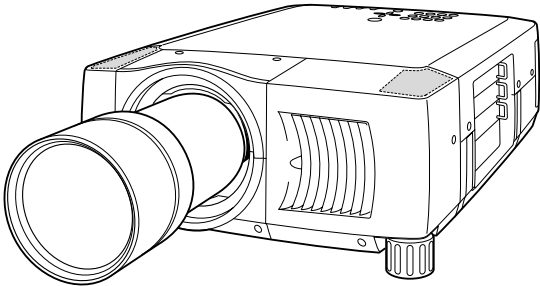
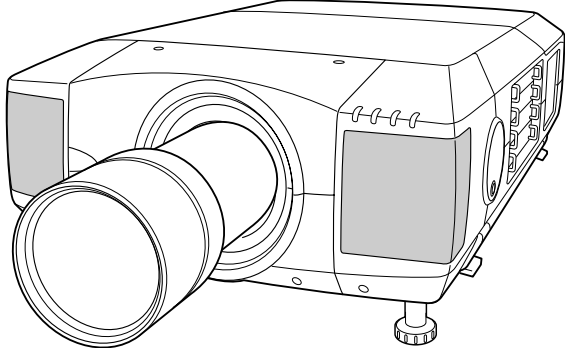
NOTES ON REPLACEMENT AND INSTALLATION

The procedures and the needed parts for lens installation depend on the type of cabinet. Before installing or replacing the lens, make sure the type of cabinet of your projector.

When installing or replacing the lens, make sure the Lens Model No. matches with to your projector. Refer to the catalog, or contact your sales dealer for the proper Lens Model No.

TYPE OF THE CABINET AND INSTALLATION PROCEDURES

Check the type of cabinet of your projector and follow the respective installation procedure to install the lens correctly.

Type of the Cabinet (1) (See Page 2)	Type of the Cabinet (2) (See Page 5)
	

For lens installation to the other models than above, contact your sales dealer.

NOTES ON LENS INSTALLATION

- Lens installation and replacement should be made by the qualified service personnel.
- Be sure to install the lens following this procedure precisely.
- The lens cover is attached to the lens for protection. Be sure to remove the lens cover from the lens before installation.
- When installing or replacing the lens, be careful not to stain, scratch or damage its surface.

LIST OF CONTENTS

Following parts are included in the package.

- LENS 1 pc
- DRIVER 1 pc



BE SURE TO CHECK THE FOLLOWING MATTERS FOR SAFETY

After installing or replacing the lens, be sure to confirm the followings for safety.

1. Make sure the lens is fixed on the projector.
2. Make sure no part is missing, or loose.

Not all the parts included may be used for lens installation or replacement. Keep these parts for later use.

Note : Illustrations in this manual may differ from the actual product.

LENS REPLACEMENT AND INSTALLATION PROCEDURE {Type (1) Cabinet}

- 1 Remove 2 Screws A and Remove Lower Lens Cover. Push part B and pull the Lower Lens Cover down and remove it. (See Fig. 1.)

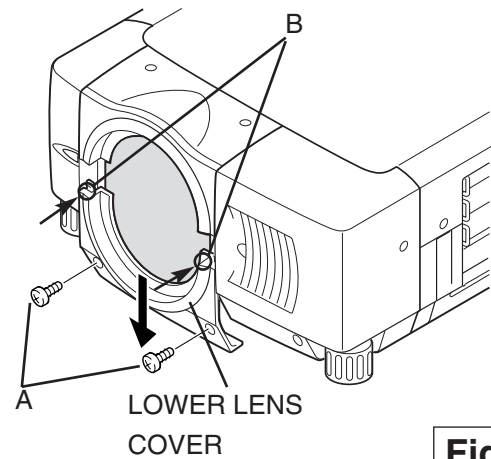


Fig-1

- 2 Remove 4 Screws C. Pull the Upper Lens Cover toward front and remove it. (See Fig. 2.)

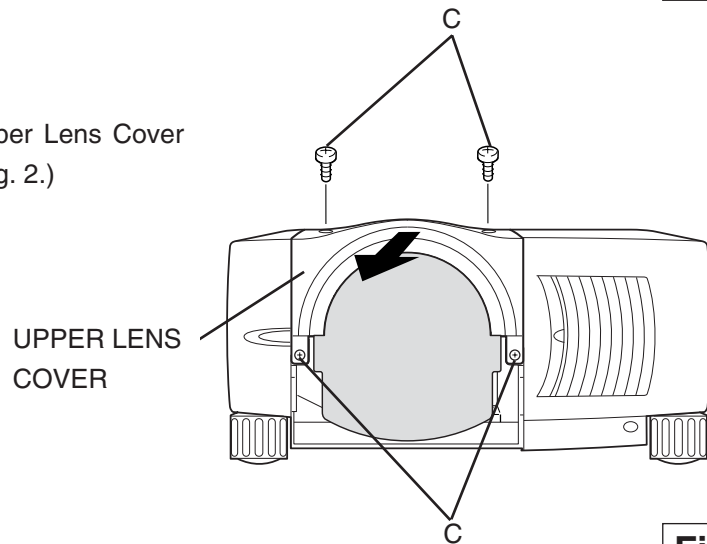


Fig-2

- 3 Remove 2 Screws D and Cover Plate from the back of the Upper Lens Cover. (See Fig. 3.)

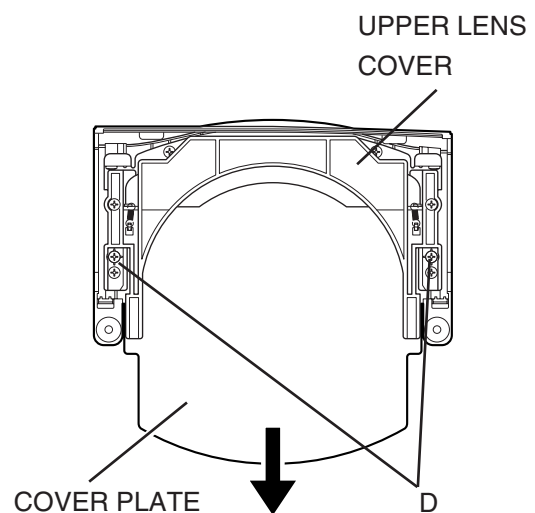


Fig-3

- 4** Remove Lens Protection Cap from the rear (mounting side) of the Projection Lens and attach the lens Attachment to the lens with 4 Screws. (Use screws attached to the lens.) See Fig. 4.

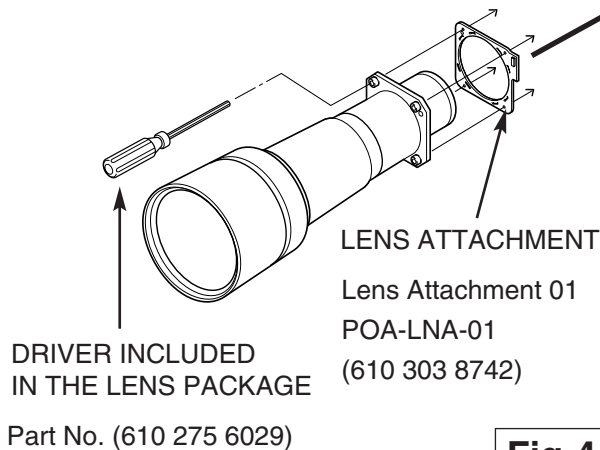


Fig-4

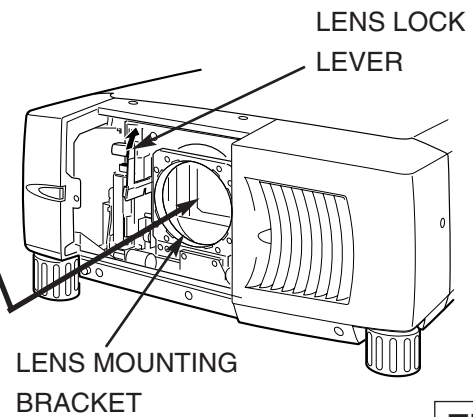


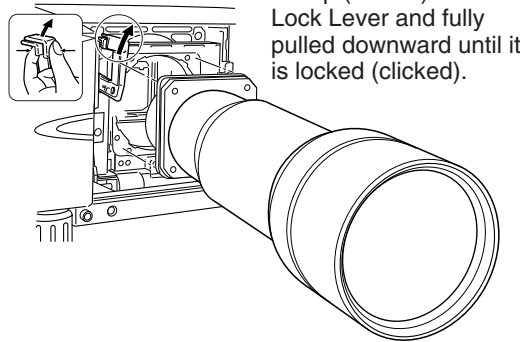
Fig-5

- 5** Grasp (release lock) the Lens Lock Lever and turn it fully upward. (See Fig. 6)
Mount the Lens into the lens mounting bracket and grasp the lens lock lever and turn it counter-clockwise until the lever is locked. (See Fig. 5 and 7)
After installing the lens, make sure the lens is not loose and properly installed.

- 6** Set up the projector and project image on the screen. Turn the lens part "A" to adjust ZOOM. Turn the lens part "B" to adjust FOCUS.

LENS LOCK RELEASE

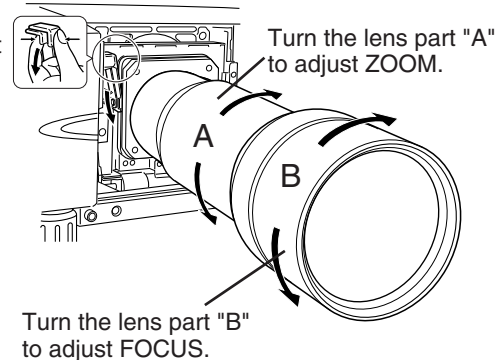
Grasp (unlock) Lens Lock Lever and pulling upward.



Grasp (unlock) Lens Lock Lever and fully pulled downward until it is locked (clicked).

Fig-6

LENS LOCK



Turn the lens part "A" to adjust ZOOM.

Turn the lens part "B" to adjust FOCUS.

Fig-7



LENS INSTALLATION NEEDS TWO OR MORE PEOPLE. TO INSTALL THE LENS BY A SINGLE PERSON MAY RESULT IN A SERIOUS DAMAGE ON THE LENS OR THE PROJECTOR BY DROPPING OR BUMPING THE PRODUCTS.

- 7 Put back the Upper Lens Cover to the projector and Fix the Upper Lens Cover with 4 Screws C. (See Fig. 2.) Put back the Lower Lens Cover to the projector. Fix the Lower Cover with 2 Screws A. (See Fig. 1.)

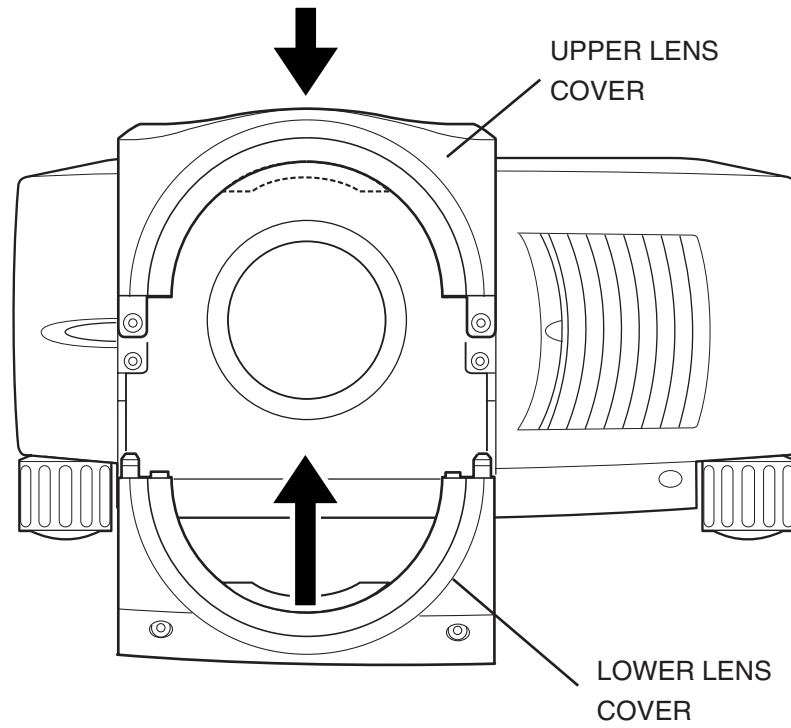


Fig-8

LENS REPLACEMENT AND INSTALLATION PROCEDURE {Type (2) Cabinet}

- 1** Remove 2 Screws A and Remove Upper Lens Cover. Push part B and pull the Upper Lens Cover up and remove it. (See Fig. 1.)

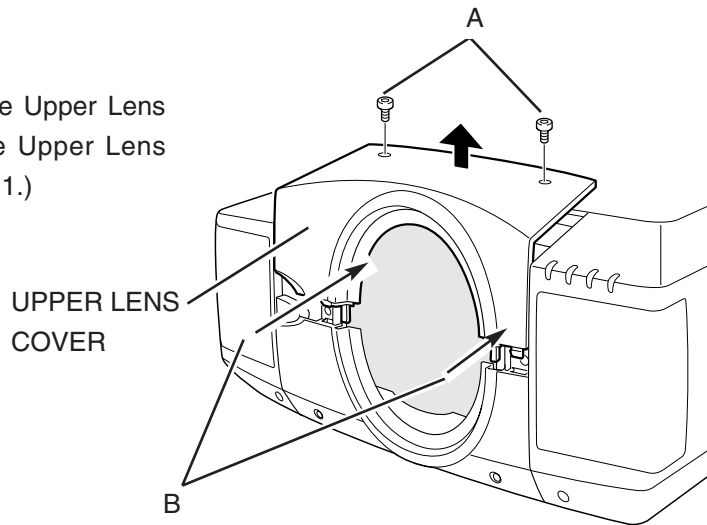


Fig-1

- 2** Remove 4 Screws C. Pull the Lower Lens Cover toward front and remove it. (See Fig. 2.)

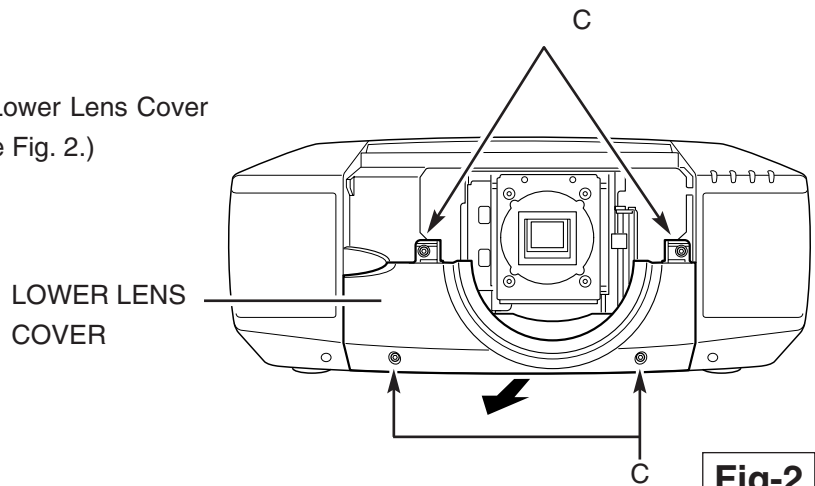


Fig-2

- 3** Remove 2 Screws D and Cover Plate from the back of the Upper Lens Cover. (See Fig. 3.)

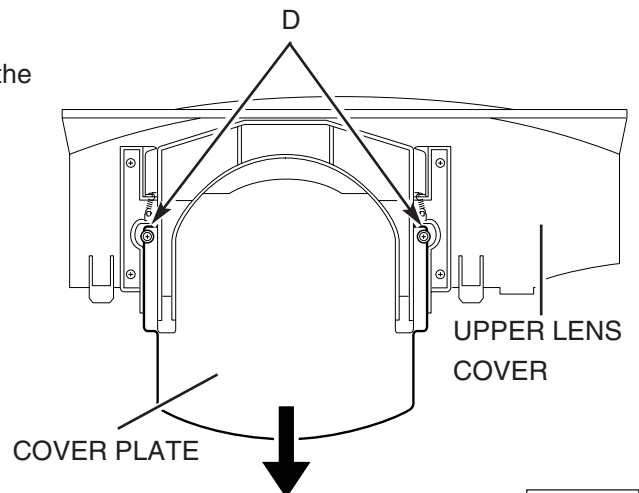
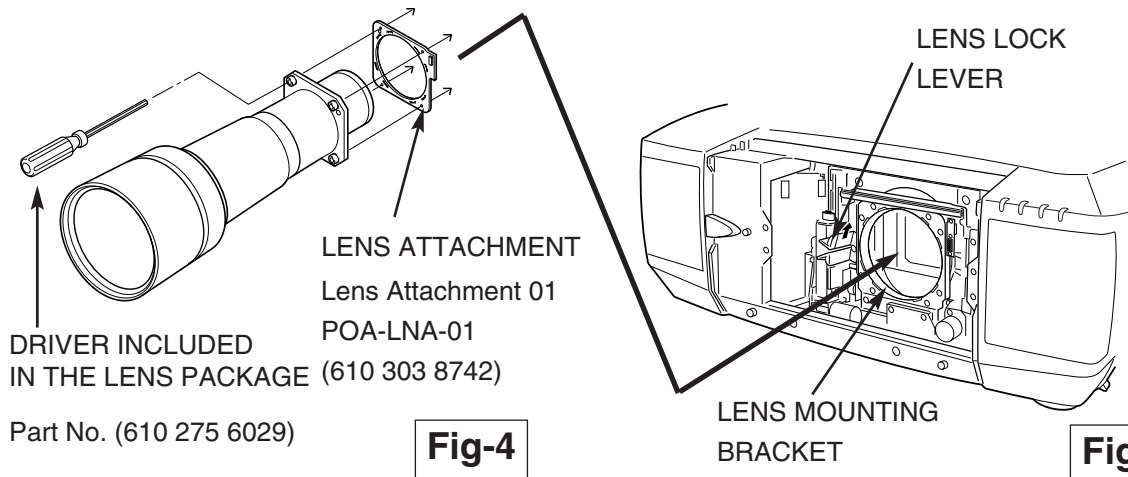


Fig-3

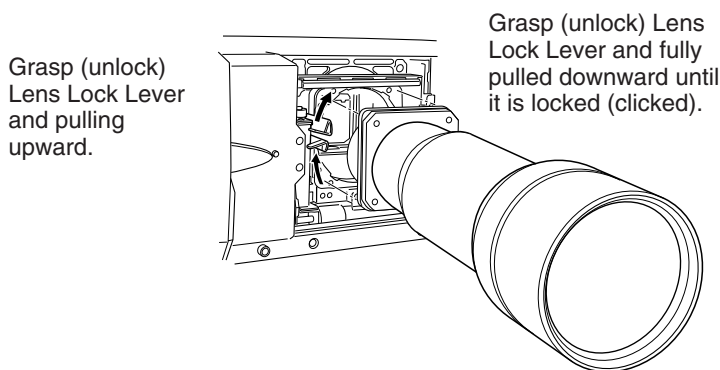
- 4** Remove Lens Protection Cap from the rear (mounting side) of the Projection Lens and attach the lens Attachment to the lens with 4 Screws. (Use screws attached to the lens.) See Fig. 4.



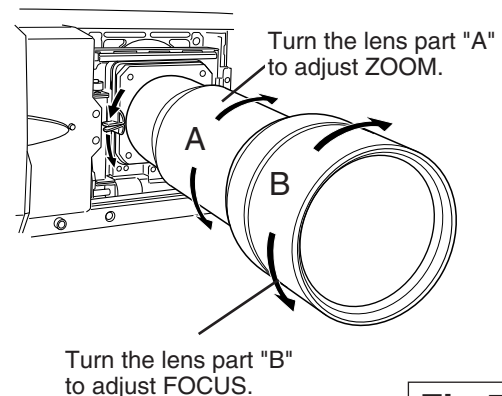
- 5** Grasp (release lock) the Lens Lock Lever and turn it fully upward. (See Fig. 6)
Mount the Lens into the lens mounting bracket and grasp the lens lock lever and turn it counter-clockwise until the lever is locked. (See Fig. 5 and 7)
After installing the lens, make sure the lens is not loose and properly installed.

- 6** Set up the projector and project image on the screen. Turn the lens part "A" to adjust ZOOM. Turn the lens part "B" to adjust FOCUS.

LENS LOCK RELEASE



LENS LOCK



**LENS INSTALLATION NEEDS TWO OR MORE PEOPLE.
TO INSTALL THE LENS BY A SINGLE PERSON MAY RESULT IN A SERIOUS DAMAGE ON THE LENS OR THE PROJECTOR BY DROPPING OR BUMPING THE PRODUCTS.**

- 7 Put back the Lower Lens Cover to the projector and Fix the Lower Lens Cover with 4 Screws C. (See Fig. 2.) Put back the Upper Lens Cover to the projector. Fix the Upper Cover with 2 Screws A. (See Fig. 1.)

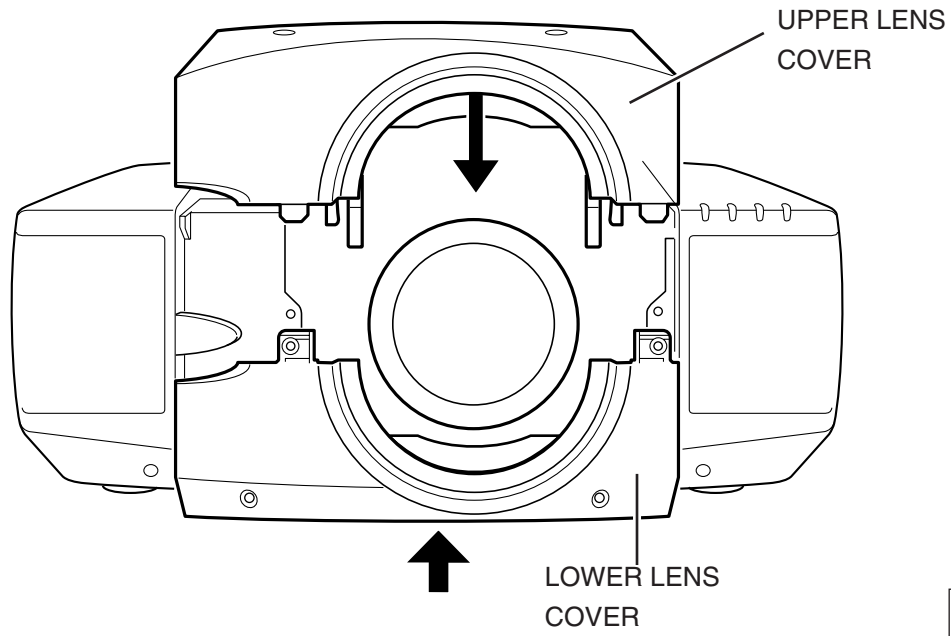


Fig-8

Free Manuals Download Website

<http://myh66.com>

<http://usermanuals.us>

<http://www.somanuals.com>

<http://www.4manuals.cc>

<http://www.manual-lib.com>

<http://www.404manual.com>

<http://www.luxmanual.com>

<http://aubethermostatmanual.com>

Golf course search by state

<http://golfingnear.com>

Email search by domain

<http://emailbydomain.com>

Auto manuals search

<http://auto.somanuals.com>

TV manuals search

<http://tv.somanuals.com>