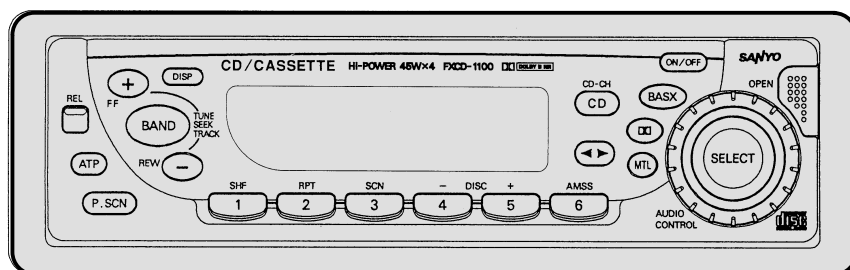


# OPERATING INSTRUCTIONS

# SANYO



## FXCD-1100

**Fold Down Design Full Panel Detachable  
FM Stereo/AM Receiver  
Auto Reverse Cassette Player  
Compact Disc Player  
with CD Changer Controller  
ISO Mounting with Removable Trim Ring**

*(English)*

*OPERATING INSTRUCTIONS* ..... 1~30

*(Español)*

*LIBRITO DE INSTRUCCIONES* ..... 31~59

GB

E



Printed in Malaysia

21605 Plummer Street  
Chatsworth, CA91311

1ED6P10A16300  
Rev.0

# SANYO MOBILE AUDIO MODEL FXCD-1100 LIMITED WARRANTY

## OBLIGATIONS

In order to obtain warranty service, the product must be delivered to and picked up from an Authorized Sanyo Factory Service Center at the user's expense, unless specifically stated otherwise in this warranty. The names and addresses of Authorized Sanyo Service Centers may be obtained by calling the toll-free number listed below.

For product operation, authorized service center referral, service assistance or problem resolution, call

**CUSTOMER INFORMATION 1-800-421-5013**

**Weekdays 8:00 AM — 5:00 PM Pacific Time**

For accessories and/or parts not available from an authorized dealer, call

**PARTS ORDER INFORMATION 1-800-726-9662**

**Weekdays 8:00 AM — 5:00 PM Pacific Time**

THIS WARRANTY IS VALID ONLY ON SANYO PRODUCTS PURCHASED AND USED IN THE UNITED STATES OF AMERICA. THIS WARRANTY APPLIES ONLY TO THE ORIGINAL RETAIL USER, AND DOES NOT APPLY TO PRODUCTS USED FOR ANY INDUSTRIAL, PROFESSIONAL OR COMMERCIAL PURPOSE. THE ORIGINAL DATED BILL OF SALE OR SALES SLIP MUST BE SUBMITTED TO THE AUTHORIZED SANYO SERVICE CENTER AT THE TIME WARRANTY SERVICE IS REQUESTED.

Subject to the OBLIGATIONS above and EXCLUSIONS below, SANYO FISHER COMPANY (SFC) warrants this SANYO product against defects in materials and workmanship for the periods specified below. SFC will repair or replace (at its option) the product and any of its parts which fail to conform to this warranty. The warranty period commences on the date the product was first purchased at retail.

LABOR	PARTS
1 YEAR	1 YEAR

## EXCLUSIONS

This warranty does not cover (A) the adjustment of customer-operated controls as explained in the appropriate model's instruction manual, or (B) the repair of any product whose serial number has been altered, defaced or removed.

This warranty shall not apply to the cabinet or cosmetic parts, knobs or routine maintenance.

This warranty does not apply to uncrating, setup, installation, removal of the product for repair or reinstallation of the product after repair.

This warranty does not apply to repairs or replacements necessitated by any cause beyond the control of SFC including, but not limited to, any malfunction, defect or failure caused by or resulting from unauthorized service or parts, improper maintenance, operation contrary to furnished instructions, shipping or transit accidents, modification or repair by the user, abuse, misuse, neglect, accident, incorrect power line voltage, fire, flood or other Acts of God, or normal wear and tear.

The foregoing is in lieu of all other expressed warranties and SFC does not assume or authorize any party to assume for it any other obligation or liability.

THE DURATION OF ANY WARRANTIES WHICH MAY BE IMPLIED BY LAW (INCLUDING THE WARRANTIES OF MERCHANTABILITY AND FITNESS) IS LIMITED TO THE TERM OF THIS WARRANTY. IN NO EVENT SHALL SFC BE LIABLE FOR SPECIAL, INCIDENTAL OR CONSEQUENTIAL DAMAGES ARISING FROM OWNERSHIP OR USE OF THIS PRODUCT, OR FOR ANY DELAY IN THE PERFORMANCE OF ITS OBLIGATIONS UNDER THIS WARRANTY DUE TO CAUSES BEYOND ITS CONTROL. SOME STATES DO NOT ALLOW LIMITATIONS ON HOW LONG AN IMPLIED WARRANTY LASTS AND/OR DO NOT ALLOW THE EXCLUSION OR LIMITATION OF CONSEQUENTIAL DAMAGES, SO THE ABOVE LIMITATIONS AND EXCLUSIONS MAY NOT APPLY TO YOU.

THIS WARRANTY GIVES YOU SPECIFIC LEGAL RIGHTS. YOU MAY HAVE OTHER RIGHTS, WHICH VARY FROM STATE TO STATE.

### ATTENTION

For your protection in the event of theft or loss of this product, please fill in the information below for your own personal records.

**Model No.** \_\_\_\_\_ **Serial No.** \_\_\_\_\_

(Located on back or bottom side of unit)

**Date of Purchase** \_\_\_\_\_ **Purchase Price** \_\_\_\_\_

**Where Purchased** \_\_\_\_\_

**WARNING:** TO PREVENT FIRE OR SHOCK HAZARD, DO NOT EXPOSE THIS APPLIANCE TO RAIN OR MOISTURE.

# CONTENTS

COMPACT DISC CARE .....	3
DIGITAL DISPLAY .....	5
DETACHABLE FRONT PANEL .....	6
GENERAL OPERATION .....	7
RADIO OPERATION .....	9
TAPE OPERATION .....	11
CD OPERATION .....	14
CD CHANGER OPERATION .....	16
ERROR SIGNS .....	18
CLOCK .....	19
HINTS FOR PROPER AND SAFE OPERATION .....	20
TROUBLESHOOTING .....	21
ACCESSORIES AND HARDWARE .....	22
INSTALLATION .....	23
UNIT REMOVAL .....	26
ELECTRICAL CONNECTIONS .....	27
LINE OUT/CD CHANGER CONNECTIONS .....	28
SPECIFICATIONS .....	29

## CAUTION

- This unit is designed to operate on 12 volts DC, NEGATIVE ground electrical systems only.
- When fuse replacement is necessary, use only a 15 amp fuse. Do not replace with a higher rated fuse. If the fuse blows often, carefully check all electrical connections for any short circuits and have your car's voltage regulator checked also.
- Do not install the unit where it will be exposed to direct sunlight or hot air discharged from the car heater.
- Do not expose the unit to water or moisture.
- To avoid damaging the unit, never insert anything other than a compact disc into the disc slot.
- This unit should not be adjusted or repaired by anyone except qualified service personnel. If servicing is required, return the unit to an authorized SANYO mobile audio dealer.
- Use of Controls or adjustments or performance of procedures other than those specified herein may result in hazardous radiation exposure.
- Changes or modifications not expressly approved by Sanyo may void the user's authority to operate this equipment.
- For CD player section:  
This device complies with Part 15 of the FCC Rules. Operation is subject to the following two conditions:  
(1) This device may not cause harmful interference, and (2) this device must accept any interference received, including interference that may cause undesired operation.

## NOTE

This equipment has been tested and found to comply with the limits for a Class B digital device, pursuant to Part 15 of the FCC Rules. These limits are designed to provide reasonable protection against harmful interference in a residential installation. This equipment generates, uses, and can radiate radio frequency energy and, if not installed and used in accordance with the instructions, may cause harmful interference to radio communications. However, there is no guarantee that interference will not occur in a particular installation. If this equipment does cause harmful interference to radio or television reception, which can be determined by turning the equipment off and on, the user is encouraged to try to correct the interference by one or more of the following measures:

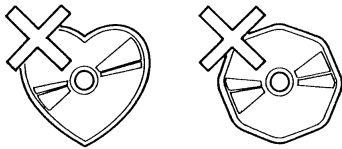
- Reorient or relocate the receiving antenna.
- Increase the separation between the equipment and receiver.
- Connect the equipment into an outlet on a circuit different from that to which the receiver is connected.
- Consult the dealer or an experienced radio/TV technician for help.

# COMPACT DISC CARE

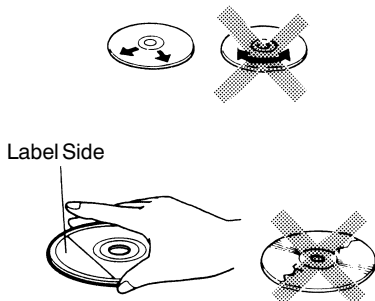
Dirt, dust, scratches and warpage can cause a deterioration in the sound or intermittent skipping some tracks during play.



- This unit has been designed to play compact discs bearing the identification logo shown on the left. Discs bearing other types of identification logos may not play properly.
- CD-R and CD-RW discs cannot be used.



- Do not use non-conventional discs such as heart-shaped, octagonal discs, etc. The player could be damaged.



Label Side

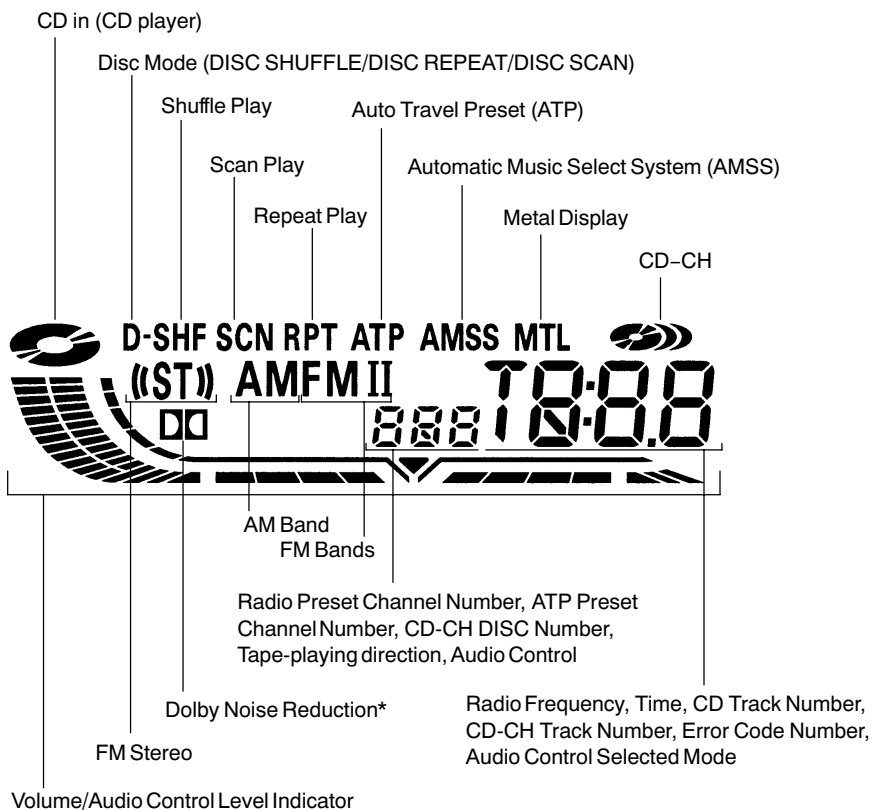
- Fingerprints and dust should be carefully wiped from the signal surface of the disc (glossy side) with a soft cloth. Wipe in a straight motion from the inside to the outside of the disc. Unlike conventional records, the compact disc has no grooves to collect dust and debris. Small dust particles will have no effect on reproduction quality.
- Do not insert a disc which is cracked into the unit.
- Do not apply paper or write anything on the surface of the disc.



- To prevent warping the disc, do not expose it to direct sunlight, high humidity or high temperatures for extended periods.



# DIGITAL DISPLAY



\*Dolby noise reduction manufactured under license from Dolby Laboratories Licensing Corporation. "Dolby" and the double-D symbol are trademarks of Dolby Laboratories Licensing Corporation.

## SAFETY CERTIFICATION

This Compact Disc Player is made and tested to meet exacting safety standards. It meets FCC requirements and complies with safety performance standards of the U.S. Department of Health and Human Services.

# DETACHABLE FRONT PANEL

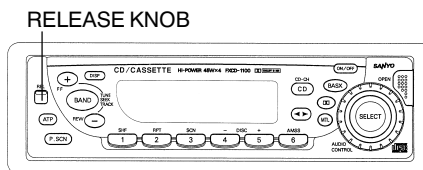
The front panel is designed to be removable for antitheft purposes.

It is recommended that you remove and carry the front panel with you when you leave your car.

A carrying case is provided with the unit for this purpose.

## HOW TO DETACH THE FRONT PANEL

- 1 Press down the release knob (REL) to release the front panel.
- 2 Pull the entire panel to remove it from the unit.



## HOW TO REPLACE THE FRONT PANEL

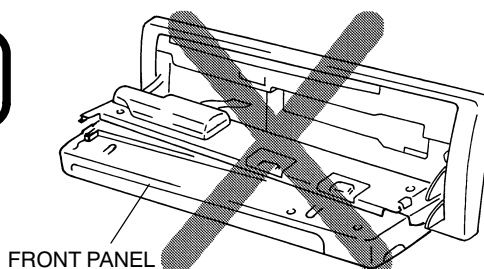
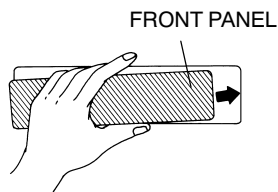
Align the right side of the panel with the stopper, and then push the left side of the panel into the unit until it clicks.

### Note

The unit will not operate if it is installed incorrectly.

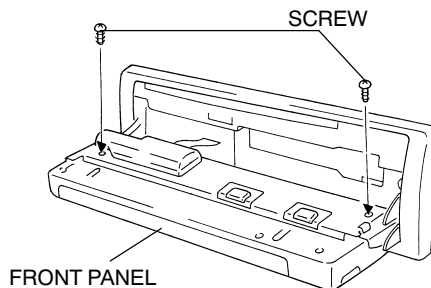
### CAUTION

With the door opened, do not attempt to remove or replace the front panel.



## SECURITY

To avoid theft or loss of the front panel, you can inactivate the release knob by installing the screw provided as shown.

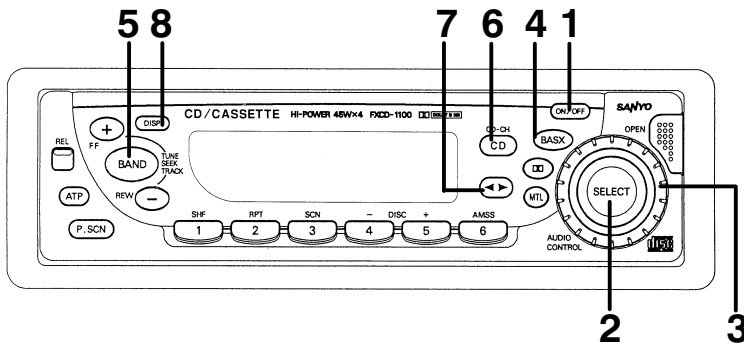


### CAUTION

- Do not attempt to remove the panel in a manner other than that described above.
- When installing the panel, do not force it into the unit.
- Do not touch the connection terminals of the panel or the unit. It may cause poor contact.
- Use a clean, dry cloth when cleaning the terminals.
- Keep the panel out of direct sunlight and high temperatures.
- Prevent the panel from coming into contact with benzene, thinner, or insecticides.
- Do not drop the panel.



# GENERAL OPERATION



## TURNING THE POWER ON

Install the front panel and press the ON/OFF button ① when ACC is on.

## TURNING THE POWER OFF ..... 1

Press the ON/OFF button ① to stop the current operation.  
The button dims when the power is off (ACC on).

## ELECTRONIC CONTROLS ..... 2, 3

Press the SELECT button ② to select the audio functions as shown in the table below.  
Turn the jog dial ③ to adjust the selected function ; bass, treble, balance, fade, or volume.

**Note**

*While no other mode is displayed, the jog dial adjusts the volume.*

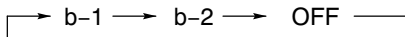
MODE	Jog Dial Operation	
	Turned left	Turned right
VOL (volume)	Decreased	Increased
bAS (bass)	Decreased	Increased
TRE (treble)	Decreased	Increased
bAL (balance)	Shifted to left	Shifted to right
FAd (fader)	Shifted to front	Shifted to rear

## ELECTRONIC CONTROL RESET

Press the SEL button ② for about 3 seconds until the unit beeps, the audio controls, except for volume, will be reset.

## BASSXPANDER (BASX) – 1/2 ..... 4

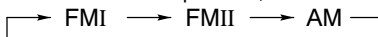
BASSXPANDER is a dual-mode sound equalization feature. Press button ④ to select the BASSXPANDER modes as follows;



BASSXPANDER offers two preset modes: b-1 enhances the low and high frequencies, while b-2 enhances the low frequencies and reduces the high frequencies.

## RADIO SELECTION BUTTON (BAND) ..... 5

Press the BAND button ⑤ to switch from tape, CD player or CD changer mode to radio. Each time the button is pressed, the function changes as shown below.



## TAPE SELECTION BUTTON (◀▶) ..... 7

Press button ⑦ to switch from radio, CD player or CD changer mode to tape mode.

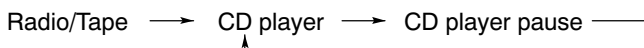
## CD PLAYER OR CD CHANGER\* SELECTION BUTTON (CD/CD-CH) ..... 6

Press the CD/CD-CH button ⑥ to switch from radio or tape mode to CD player or CD changer\* mode.

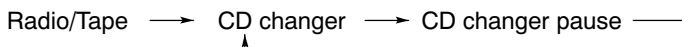
\* If a CD changer is connected.

Pressing the button will change the mode as follows:

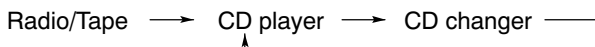
① When a CD is loaded in the CD player and a CD changer is not connected;



② When a CD is not loaded in the CD player and a CD changer is connected;



③ When a CD is loaded in the CD player and a CD changer is connected;



## CLOCK BUTTON (DISP) ..... 8

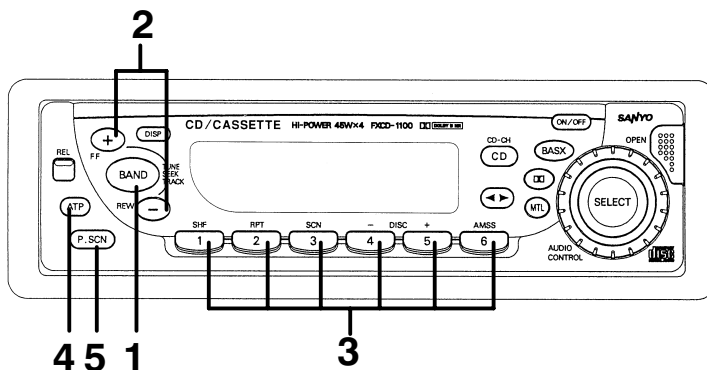
Press the DISP button ⑧ to switch between the clock and audio display. When an audio function is performed while the time display is selected, the audio display will appear for 5 seconds, then the display will return to the time mode.

## TO CANCEL THE BEEP TONES ..... 7

① To cancel all beep tones, press button ⑦ for more than 3 seconds with no tape in the slot, and then **bP OFF** is displayed.

② To turn on the beep tones again, perform the same procedure. The beep tones are set and **bP ON** is displayed.

# RADIO OPERATION



## SELECTING RADIO MODE ..... 1

Press the BAND button ① to switch from tape, CD player or CD changer\* mode to the radio.  
 \* If a CD changer is connected.

Each time the BAND button is pressed, the selected band changes as shown below.



## RADIO TUNING ..... 2

- Automatictuning ... Press the TUNE/SEEK/TRACK ⊕ or ⊖ button ② for more than 1 second until it beeps twice if the beep tones are on. When the button is released, the system will start automatic tuning and stop at the next receivable station.
- Manualtuning ..... To select higher frequency stations, press the ⊕ button for less than 0.5 seconds. To select lower frequency stations, press the ⊖ button for less than 0.5 seconds. To quickly scan up or down in frequency, press and hold the ⊕ or ⊖ button. Release the button when the display approaches the desired frequency, then press and release the button repeatedly until the desired frequency is displayed.

## STORING PRESET STATIONS ..... 3

The preset buttons ③ can be used to store 6 stations in each band (FMI, FMII, and AM) for convenient access to your favorite stations.

- Programmingstations ...
  - 1 Select the desired band, then tune in the station you want to store in memory.
  - 2 Press and hold one of the preset buttons for more than 2 seconds. Repeat steps 1 and 2 to program additional stations.
- Quick tuning ..... Select the desired band, then press one of the six preset buttons.

## ATP (AUTO TRAVEL PRESET) OPERATION ..... 4

The Auto Travel Preset function searches for and memorizes the 6 strongest stations in one of the two bands (FMI, AM) in order of signal strength.

This feature is useful when you are driving in an unfamiliar location and want to memorize local stations without changing the standard preset stations.

A total of 12 stations (6 FM and 6 AM) can be programmed.

- To set the stations .....
  - 1 Select the desired band.
  - 2 Press and hold the ATP button ④ for more than 2 seconds. "ATP" appears in the display.  
When the stations have been memorized, scanning stops and the strongest station is selected.
- Quick Tuning of ATP Stations ....
  - 1 Select the desired band.
  - 2 Press the ATP button if the "ATP" indicator does not appear in the display.
  - 3 Press button ④ for less than 1 second to select the desired ATP preset. Each time the ATP button is pressed, the next ATP preset is selected. If a total of six stations cannot be preset "--" will be displayed for the empty channels.
- To scan programmed stations ... See "PRESET-SCAN-BUTTON OPERATION".

### Notes

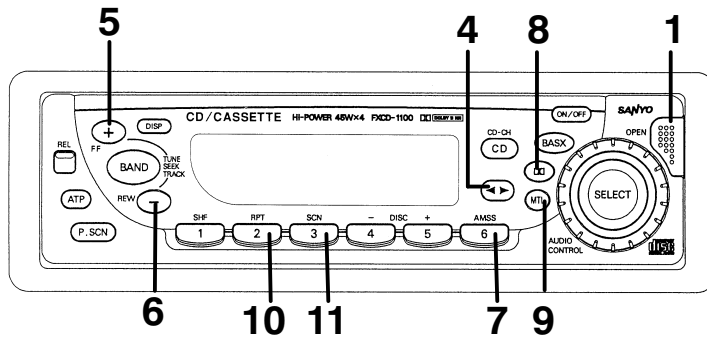
- If no station can be received, "--" appears in the display.
- If fewer than 6 stations can be received, the system will memorize as many stations as possible, then select the one memorized first.
- If ATP mode is selected in FMII band, FMI ATP mode is selected.

## PRESET-SCAN-BUTTON OPERATION ..... 1, 4, 5

This function scans each of the preset stations stored in the selected band (both manual preset and auto travel presets).

- 1 Select the desired band or ATP mode.  
Press the BAND button ① for FMI, FMII, or AM. Press the ATP button ④ for less than 0.5 seconds to select the ATP mode.
- 2 Press the P.SCN button ⑤. The system will select and receive each preset station for 5 seconds.
- 3 To stop scanning and retain the station currently selected, press the P.SCN button ⑤ again during this five-second period.

# TAPE OPERATION



## LOADING AND EJECTING THE TAPE

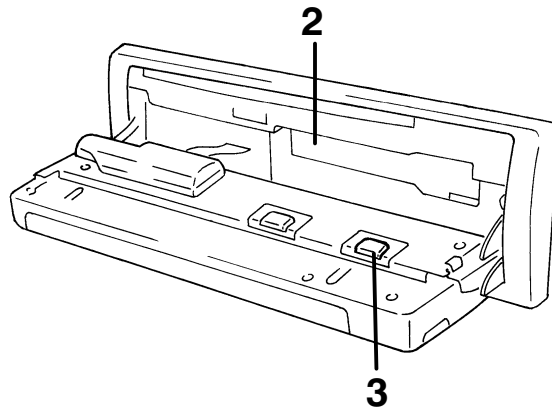
Press the open button ① to open the door.

Insert a cassette into the tape slot ② and the tape player will start.

Press the eject button ③ to eject a tape. The system will return to the last mode.

### ⚠ CAUTION

Only cassette tapes that play no longer than 90 minutes should be used. Tapes exceeding 90 minutes are thin and may easily break.



## SELECTING TAPE MODE

Inserting a cassette into the tape slot as stated above will start the tape player. If radio, CD player or CD changer\* is in operation with a tape loaded, press button ④ to switch to tape mode.

\* If a CD changer is connected.

## SWITCHING THE TAPE DIRECTION ..... 4

Press BUTTON ④.

- When the tape reaches the end of one side, the unit will automatically switch to the opposite side of the tape.

## FAST FORWARD AND REWIND ..... 5, 6

Press BUTTON ⑤ to fast forward and press BUTTON ⑥ to rewind the tape.

Pressing BUTTON ④ during fast forward and rewind operation resumes tape playing.

## LOCATING THE BEGINNING OF A PROGRAM (AMSS) .... 5, 6, 7

This system is equipped with a function that allows you to skip forward or backward to locate the beginning of a particular selection on the tape. (Automatic Music Select System : AMSS)

- 1 Press the AMSS button ⑦. "AMSS TAPE" is displayed.
- 2 Press button ⑤ to skip forward up to 9 selections from the current location on the tape.

e.g.) With "F TAPE" displayed, press button ⑤ three times. "F3 TAPE" is displayed.

The system will search for 3 blank spaces between selections in the forward direction, then begin playing the third selection from the starting point.

- 3 Press button ⑥ to skip backward to the beginning of the current selection, or up to 8 selections from the current location on the tape.

e.g.) With "P TAPE" displayed, press button ⑥ five times. "P5 TAPE" is displayed.

The system will search for 5 blank spaces between selections in the backward direction, then begin playing the forth selection from the starting point. (The blank space before the current selection counts as one blank space.)

- 4 To cancel AMSS mode, press button ⑦ again.

### Notes

- If AMSS detects 15 seconds of blank space, it will automatically advance the tape to the next selection.
- AMSS may not operate properly if
  - A tape was recorded at low level.
  - A tape has long, silent intervals.
  - A tape is a live recording.

## DOLBY B NOISE REDUCTION BUTTON ..... 8

To play back a tape encoded with Dolby\* NR, press button ⑧. When Dolby\* NR is activated, the indicator lights. To play other tapes not encoded with Dolby\* NR, press the button to switch Dolby\* NR off. The indicator goes out.

\*Dolby noise reduction manufactured under license from Dolby Laboratories Licensing Corporation. "Dolby" and the double-D symbol are trademarks of Dolby Laboratories Licensing Corporation.

## METAL PLAY MODE ..... 9



If a metal or high-position tape is used, press metal button ⑨ to make the player in metal play mode. MTL is indicated.

## REPEAT MODE ..... 10

This operation makes it possible to listen repeatedly to a selection.

Press RPT ⑩ during play. The selection playing will continue until RPT is pressed again.

## SCAN MODE ..... 11

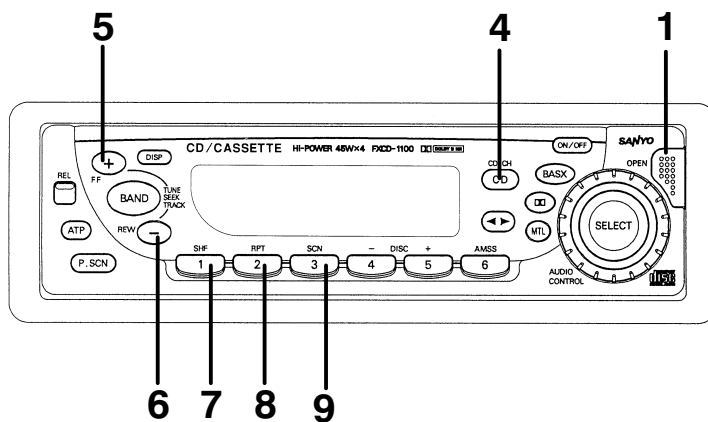
Scan helps to find a program by playing about the first 10 seconds of each selection.  
Press SCN  during play to start scan operation.  
To cancel scan, press SCN  again.

### **Notes**

*RPT/SCN may not operate properly if*

- *A tape was recorded at a low level.*
- *A tape has long, silent intervals.*
- *A tape is a live recording.*

# CD OPERATION



## LOADING AND EJECTING THE CD

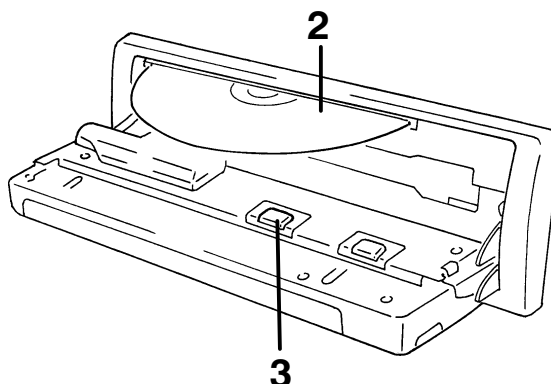
Press the open button ① to open the door.

Insert a disc into the CD slot ② and the CD player will start.

Press the eject button ③ to eject a disc.

### ⚠ CAUTION

- This CD player is not designed for 3" CDs. Please do not use a 3" CD nor 3" CD adaptor.
- If the unit is already loaded with a CD, please do not attempt to insert another disc, which may result in damage to both of the discs and the unit.



## SWITCHING TO CD MODE ..... 4

Press the CD button ④ to switch from radio, tape or CD changer\* mode to CD player mode. Pressing the button will change the mode as explained in section "CD PLAYER OR CD CHANGER SELECTION BUTTON (CD/CD-CH)" in page 8.

When the CD mode is switched on while a disc is loaded, play resumes from the point at which play was stopped. When the entire disc has played, the unit returns to the first track and play resumes.

The CD player continues playing the disc until the ON / OFF button is pressed, the other mode is selected, or the disc is ejected.

\* If a CD changer is connected.



## SKIPPING TRACKS ..... 5, 6

Press the TRACK ⊕ button ⑤ to skip to the beginning of the next track.

Press the TRACK ⊖ button ⑥ to skip to the beginning of the track currently playing.

Press the TRACK ⊖ button ⑥ twice to skip to the beginning of the previous track.

Press and hold the TRACK ⊕ or ⊖ button for more than 1.5 seconds to search quickly (with sound) in the forward or reverse direction.

When the button is released, the CD resumes normal play.

## SHUFFLE MODE ..... 7

This function plays the tracks on a CD in random order.

Press the SHF button ⑦ to begin shuffle play.

Press the TRACK ⊕ or ⊖ button (⑤ or ⑥) to select another random track.

To cancel this mode, press the SHF button ⑦ again or eject the CD.

### **Note**

*If a disc is already loaded under the following conditions, shuffle play will resume from the point at which play was stopped:*

- *If the vehicle ignition is turned off, then on again.*
- *If the power is switched off, then on again with the ON/OFF button.*

## REPEAT MODE ..... 8

Press the RPT button ⑧ to play the current track repeatedly.

To cancel this mode, press the RPT button ⑧ again or eject the CD.

### **Note**

*If a disc is already loaded under the following conditions, repeat play will resume:*

- *If the vehicle ignition is switched off, then on again.*
- *If the power is switched off, then on again with the ON/OFF button.*

## SCAN MODE (PLAYING THE BEGINNING OF EACH TRACK) ..... 9

This function plays the first 10 seconds of each track sequentially.

Press the SCN button ⑨ to begin the scan mode.

The system will remain in this mode until it comes to the track where the scan mode started.

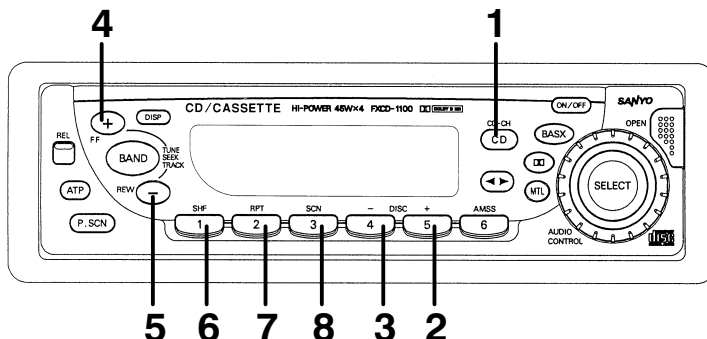
To cancel this mode, press the SCN button ⑨ again.

### **Note**

*Scan mode will be cancelled when the vehicle ignition is turned off, when any other key operations are performed except time adjustment or when the disc is ejected.*

# CD CHANGER OPERATION

THE UNIT CAN BE USED TO CONTROL THE FUNCTIONS OF THE AX-300, AX-500 OR OTHER COMPATIBLE SANYO CD CHANGERS.



## SELECTING CD CHANGER MODE ..... 1

Press the CD/CD-CH button ① to switch from radio, tape or CD player mode to CD changer mode. Pressing the button will change the mode as explained in section "CD PLAYER OR CD CHANGER SELECTION BUTTON (CD/CD-CH)" in page 8.

## SELECTING A DISC ..... 2, 3

Press the DISC ⊕ button ② to select the next disc.  
Press the DISC ⊖ button ③ to select the preceding disc.

## SKIPPING TRACKS ..... 4, 5

Press the TRACK ⊕ button ④ to skip to the beginning of the next track.  
Press the TRACK ⊖ button ⑤ to skip to the beginning of the track currently playing.  
Press the TRACK ⊖ button ⑤ twice to skip to the beginning of the previous track.  
Press and hold the TRACK ⊕ or ⊖ button for more than 2 seconds to search quickly (with sound) in the forward or reverse direction.  
When the button is released, the CD resumes normal play.

## SHUFFLE MODE ..... 6

This function plays the tracks on one CD or all CDs in the magazine in random order.

- "Shuffle-playing" tracks; ..... Press the SHF button ⑥ to play tracks on the current disc in random order.
- "Shuffle-playing" discs; ..... Press the SHF button ⑥ for more than 2 seconds. The system selects a disc at random and plays all tracks on that disc. When all tracks have been played, the next disc is selected and "shuffle-play" is repeated.

To cancel the track shuffle or disc shuffle mode, press the SHF button ⑥ again.  
The system will remain in this mode until it is cancelled.

## REPEAT MODE ..... 7

- Repeat tracks ..... Press the RPT button ⑦ to play the current track repeatedly.
- Repeat discs ..... Press the RPT button ⑦ for more than 2 seconds to play the current disc repeatedly.

To cancel the track repeat or disc repeat mode, press the RPT button ⑦ again.  
The system will remain in this mode until it is cancelled.

## SCAN MODE (PLAYING THE BEGINNING OF TRACKS OR DISCS) ..... 8

This function plays the first 10 seconds of each track or disc sequentially.

- Playing the beginning of tracks ..... Press the SCN button ⑧ to play the first 10 seconds of each track on (Track Scan) the current disc in order.
- Playing the beginning of discs ..... Press the SCN button ⑧ for more than 2 seconds to play the first 10 (Disc Scan) seconds of each disc in the magazine.

To cancel the track scan or disc scan mode, press button ⑧ again.

### **Note**

*Scan mode will be cancelled when the vehicle ignition is turned off, when any other key operations are performed except time adjustment or when the disc is ejected.*

# ERROR SIGNS



## CD Player

If a problem should occur while operating the built-in CD player, one of the following error signs may be displayed:

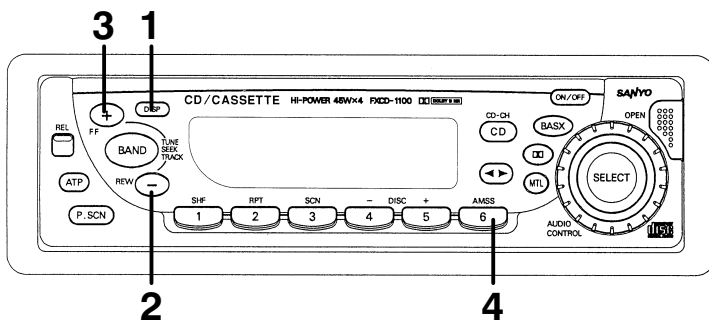
Error Sign	Cause	Remedy
E01	Abnormal mechanism function.	Press the eject button. Turn the power off and then on again. If it is not corrected, contact the place of purchase.
E07	The disc is inserted incorrectly.	Eject the disc and insert it properly.
	The disc is dirty.	Clean the disc.
	The disc is defective.	Use another disc.
	There is condensation on the optical lens.	Leave the disc player off for an hour or so, then try again.
E99	Internal connection check error.	Turn the power off and then on again. If it is not corrected, contact the place of purchase.

## CD Changer

If a problem should occur while operating the connected CD changer, one of the following error signs may be displayed.

Error Sign	Cause	Remedy
E01	Abnormal mechanism function.	Contact the place of purchase.
E07	The disc was inserted incorrectly.	Insert the disc properly.
	The disc is dirty.	Clean the disc.
	The disc is defective.	Use another disc.
	There is condensation on the optical lens.	Leave the disc player off for an hour or so, then try again.
		Refer to the instructions supplied with the CD changer.
E30	Excessive temperature has been detected in the vehicle.	Allow the car to cool.
blinking  	The magazine is not fully inserted into the changer. No discs in the magazine.	Completely insert the magazine into the changer until it clicks into place. Load discs into the magazine.

# CLOCK



## DISPLAY MODE CHANGE ..... 1

The display on the unit can be changed by pushing button ①. Press the DISP button ① to switch between the clock and audio display. When a radio, tape or CD function is performed while the time display is selected, the audio display will appear for 5 seconds, then the display will return to the time mode.

## ADJUSTING THE TIME ..... 1, 2, 3

To adjust the time, press the DISP button ① for more than 2 seconds. The time display blinks.

To adjust the minute, press the ⊖ button ②.

To adjust the hour, press the ⊕ button ③.

To advance the time rapidly, hold the ⊖ or ⊕ button continuously.

Press DISP button ① again to start the clock.

## CLOCK RESET ..... 1, 4

Press DISP button ① for more than 2 seconds and the time display blinks. While blinking, press preset button 6 ④ to skip to the nearest half-hour as follows:

Example: 3:00~3:29 → 3:00

3:30~3:59 → 4:00

### Notes

- This unit uses a 12-hour clock.
- The clock function and radio presets are retained in memory when the audio is switched off.

# **HINTS FOR PROPER AND SAFE OPERATION**

---

- **Condensation**

Moisture can condense on the optical lens of the CD player during humid or rainy days, or after the car heater is turned on. If this occurs the disc player may not function properly. To remedy the situation, remove the disc from the unit and wait approximately one hour. This should allow the moisture to evaporate and restore normal operation.

- **Temperature Consideration**

The unit may not operate correctly in extremely hot or cold temperatures. Avoid exposing the unit to extremely high or low temperatures.

- **Interruptions in the sound (skipping)**

When the car is driven on very rough surfaces, the sound from the CD player may skip and be interrupted. This will not cause any damage to the disc or the player. If this occurs, wait for the road surface to improve before using the CD player.

- **Safety**

For safer driving, keep the volume at a moderate level to enable you to hear outside sounds (such as emergency vehicle sirens).

- **Cleaning the unit**

Clean the unit with a soft, dry cloth. Stains should be removed by wiping the surfaces with a soft cloth immersed in lukewarm water and wrung dry. Never use strong chemicals or solvents. These will damage the finish of the unit.

- **Disc care**

When not using the disc player for extended periods, remove the compact disc and return it to the plastic storage case. Do not leave a disc partially ejected from the player.

- **Servicing**

Should a problem develop, do not open the unit or try to repair it yourself. If servicing is required, bring the unit to a Sanyo Authorized Service Center.

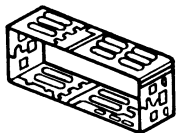
# TROUBLESHOOTING

Sometimes a simple operational error or a mistake in the wiring can appear to be a problem with the unit. Before having the unit serviced, refer to the troubleshooting chart below.

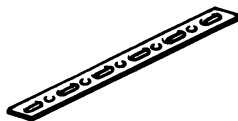
Symptom	Cause	Solution
The compact disc or tape does not play when inserted into the unit.	The volume control is turned down.	Turn up the volume control.
	The power connections are not wired correctly.	Check the +12V and ground connections.
No power.	The vehicle ignition is switched off.	Switch the ignition to the "ON" or "ACC" position.
	The fuse is blown.	Replace the fuse with another 15A fuse.
The unit does not work properly (Eject, Load, Play).	The microcomputer has been affected by electrical noise.	Eject the disc or tape, then insert it again.
		Turn the power off and then on again.
The sound from the CD player skips.	The road surface is rough.	Wait for the road surface to improve before playing a disc.
	The unit is not mounted securely.	Install the unit securely. Be sure to use the rear strap if the vehicle does not provide support for the rear of the unit. (See page 24)
	The disc is defective.	Try another disc. If it plays properly, the first disc may be defective.
	The disc is dirty.	Clean the disc as explained on pages 3-4.
No radio reception.	The antenna cable is not connected.	Insert the antenna cable firmly into the antenna jack on the unit.
The radio does not stop on any stations when automatic tuning is used.	The signals are weak.	Select a station using manual tuning.

# ACCESSORIES AND HARDWARE

## INSTALLATION



Mounting Bracket  
(Half Sleeve) x 1



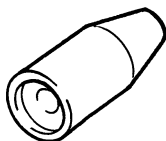
Rear Strap  
(Brace) x 1



Screw M5 x 14  
x 2



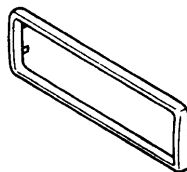
Hex bolt M8 x 6  
x 4



Mounting Grommet  
x 1



Mounting Screw M5  
x 1



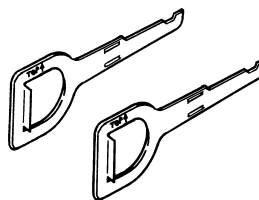
Removable Trim Ring  
x 1

## SECURITY OF FRONT PANEL



Screw M2 x 6  
x 2

## SET REMOVAL



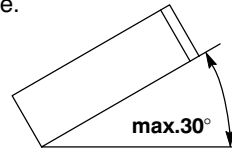
Unlock Levers  
x 2



# INSTALLATION

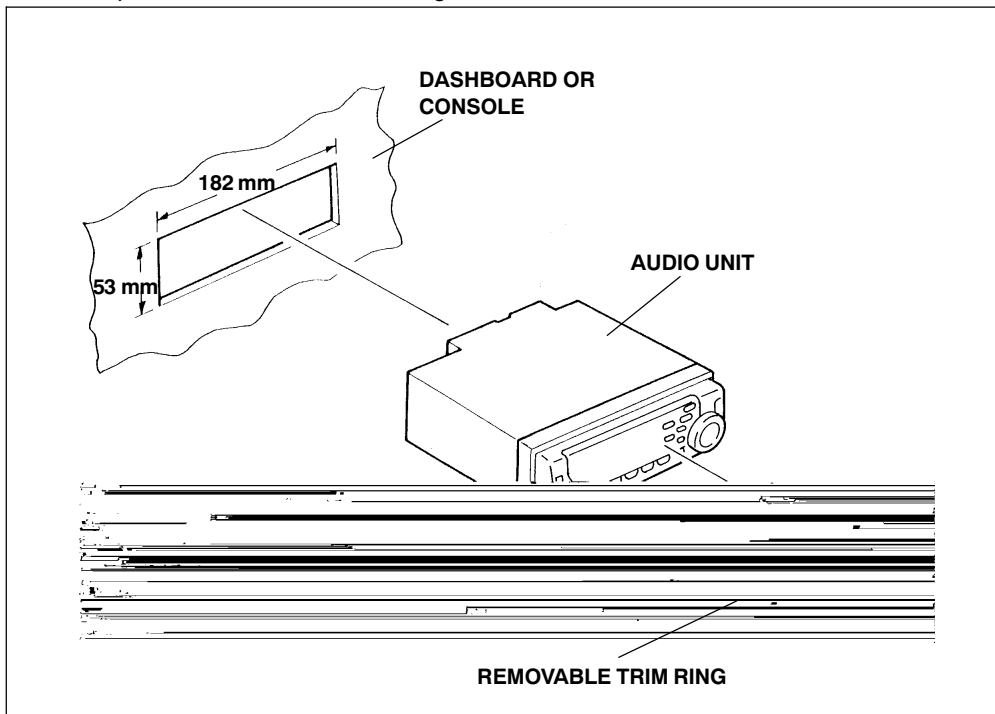
## 1. BEFORE INSTALLATION

When mounting the unit in a car, keep the unit as level as possible. If the unit must be mounted at an angle, due to the design of the vehicle, make sure the unit does not tilt by more than 30° .



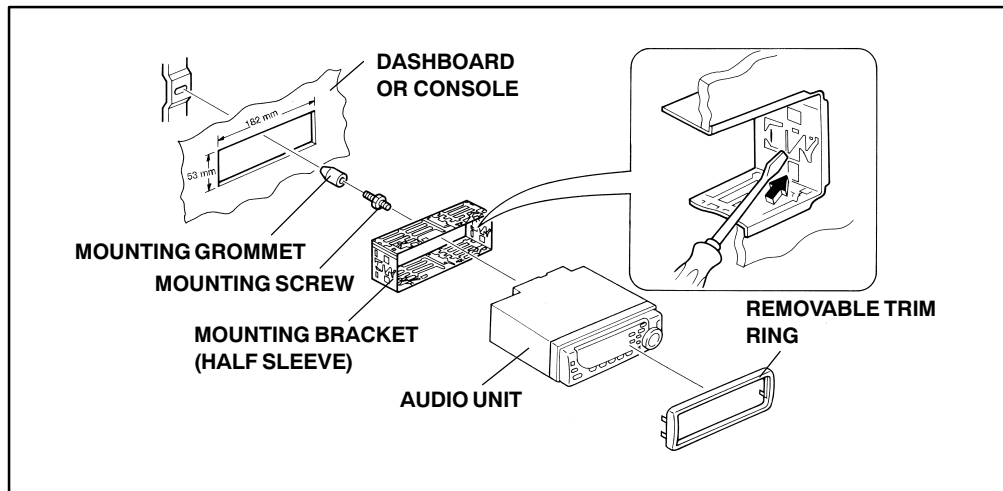
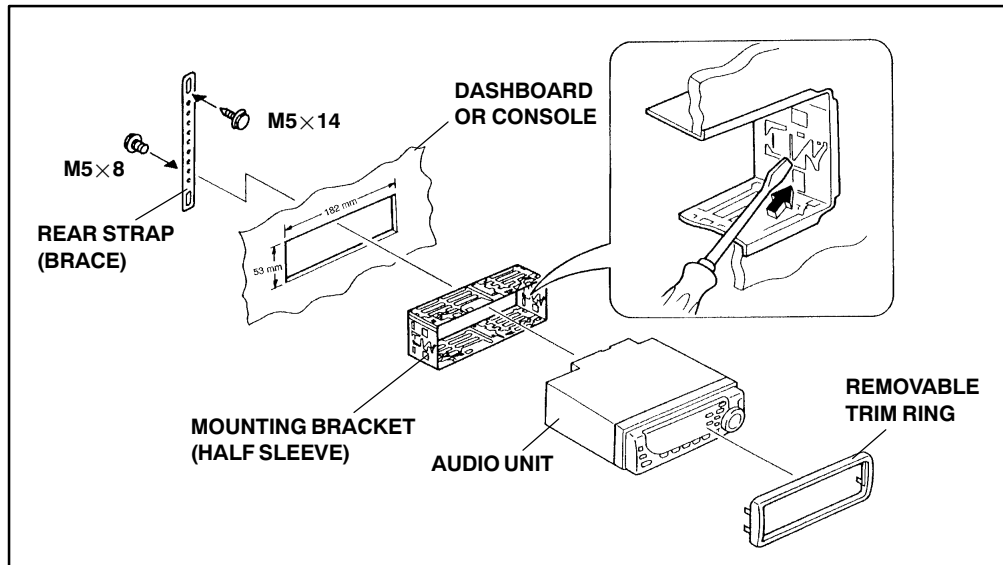
## 2. ISO MOUNTING WITH REMOVABLE TRIM RING

When mounting the unit into a DIN-standard cutout (182 × 53 mm) in the dashboard or console, attach the provided Removable Trim Ring to the unit.



### 3. INSTALLATION PROCEDURES

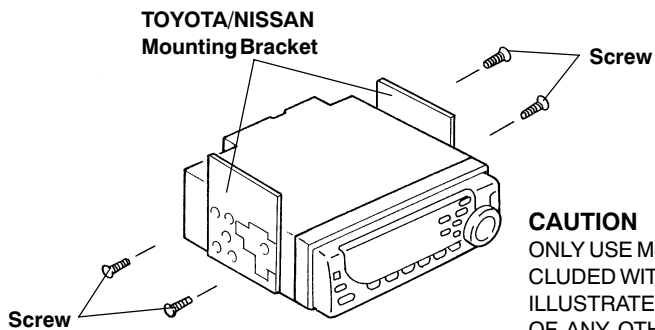
#### 1) Installation with Mounting Kit



1. Insert the mounting bracket into the DIN-standard cutout (182 × 53 mm) in the dashboard or console.
2. Bend the mounting bracket stopper outward until the bracket fits snugly in the cutout.
  - If the rear strap is used:
3. Push the unit into the mounting bracket until it locks in place.
4. Secure the rear strap to the audio unit and vehicle dashboard.
  - If the mounting screw is used:
3. Install the supplied mounting screw (M5) in the audio unit.
  - Cover the mounting screw with the supplied mounting grommet.
4. Push the unit into the mounting bracket until it locks in place.

## 2) Installation to TOYOTA/NISSAN Vehicles

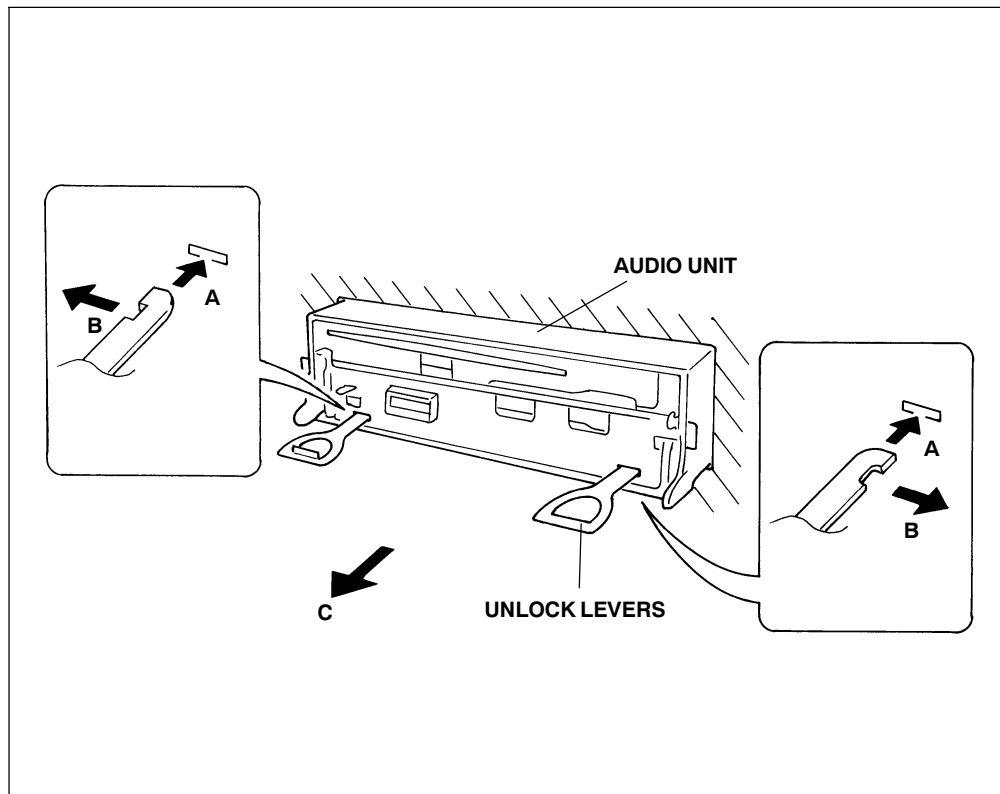
Install the unit using the existing TOYOTA/NISSAN Mounting Bracket and Screws. Use the mounting holes in the unit chassis. "T" or "N" is engraved next to each mounting hole. Use "T" holes for Toyota vehicles and "N" holes for Nissan vehicles.



### CAUTION

ONLY USE M8 x 6 SCREW (INCLUDED WITH THIS UNIT) AS ILLUSTRATED ABOVE. USE OF ANY OTHER SCREW OR HARDWARE MAY RESULT DAMAGE TO HEAD UNIT.

# UNIT REMOVAL



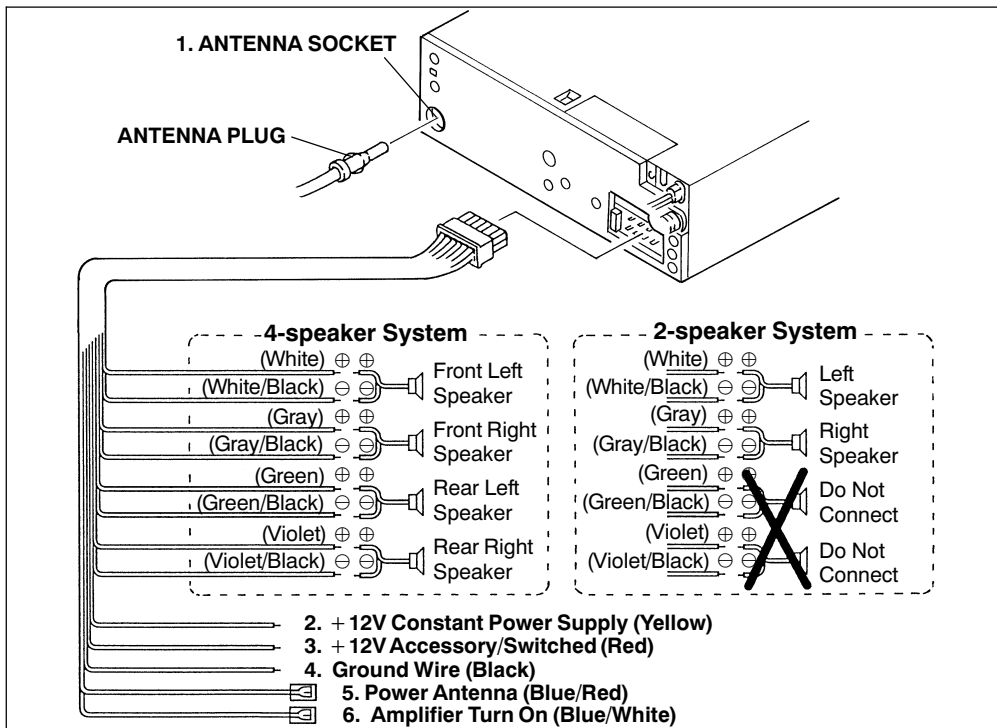
1. Close the door if it is opened.
2. Remove the front panel by pressing down the release knob.
3. Insert the unlock levers into the slots as illustrated in **A**.

**Note**

*The jagged side of the key should face outward.*

4. Slide both keys outward as illustrated in **B** and pull to remove the audio unit as illustrated in **C**.

# ELECTRICAL CONNECTIONS



## ⚠ Caution

- DO NOT connect any speaker wires to the metal body or chassis of the vehicle.
- DO NOT connect the speaker common (-) wires to each other.
- Connect each speaker wire directly to each speaker terminal.
- All speaker common (-) wires must remain floating.

## 1 Antenna socket

- Insert the plug from the antenna installed in your vehicle into this socket. (If your vehicle has a dual antenna system, a dual antenna to single antenna cable adaptor may be required.)

## 2 +12V Constant Power Supply (Yellow)

- Connect this wire to the +12V power terminal which receives power continuously.
- Connect to location drawing 10 A amperage or more.

## 3 +12V Accessory/Switched (Red)

- Connect this wire to the terminal which receives power while the ignition switch is at ON or ACCESSORY position.
- If the ignition switch does not have an ACC position, connect this wire to a +12V power terminal which receives power continuously. (Same as item 2.)
- Connect to location drawing 100 mA amperage or more.

## 4 Ground wire (Black)

- Connect this wire to the vehicle chassis.

## 5 Power Antenna (Blue/Red)

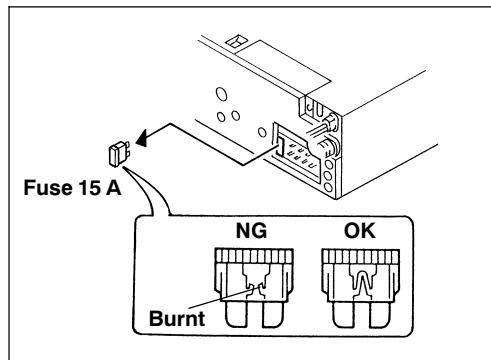
- Connect this wire to the control terminal of a Power Antenna.
- When not using a Power Antenna, this wire is not connected.

## 6 Amplifier Turn On (Blue/White)

- Connect this wire to an external amplifier.
- When not using an external amplifier, this wire is not connected.

## Notes

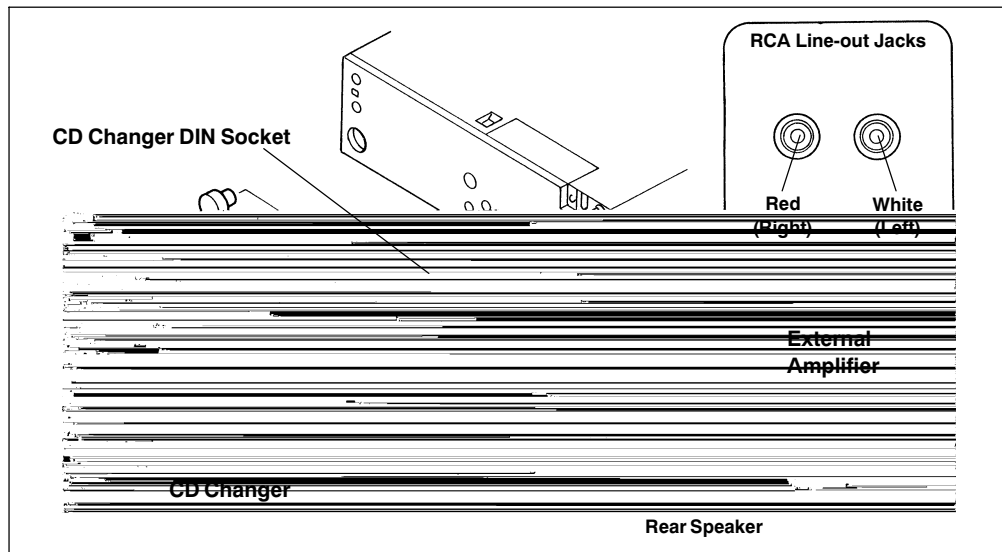
- When using a two-speaker installation, the Green, Green/Black, Violet, Violet/Black wires, which are used for a four-speaker installation, are not used. The ends of these wires must be covered with electrical tape to prevent them from shorting to the unit or the vehicle chassis.



- When using a two-speaker installation, set the FADER control to the center position.
- When fuse replacement is necessary remove the blown fuse by using pliers. Then install the new 15 amp. fuse.

## LINE OUT/CD CHANGER CONNECTIONS

- The unit has a built-in CD changer controller and line output terminals. You can use a compatible Sanyo CD changer and a separate rear channel amplifier to upgrade your system.



### CD Changer DIN Socket

- Connect the 8-pin DIN cable, which is supplied with the AX-300, AX-500 or other compatible Sanyo CD changer, to the DIN socket on the back of the unit.

### RCA Line-out Jacks (For Rear Speakers)

- Connect a patch cable (not supplied) from the White (left rear channel) and Red (right rear channel) RCA line output jacks to the line input terminals of the external amplifier.

# SPECIFICATIONS

## FM TUNER SECTION

Frequency Range .....	87.5MHz ~ 107.9MHz
Usable Sensitivity .....	15dBf
50dB Quieting Sensitivity .....	30dBf
Frequency Response ( $\pm 3$ dB) .....	50Hz ~ 12.5kHz
I.F. Rejection .....	100dB
Image Rejection .....	65dB
Signal-to-Noise Ratio .....	60dB
Selectivity .....	65dB
Stereo Separation .....	27dB
Capture Ratio .....	2dB
Antenna Impedance .....	75 $\Omega$

## AM TUNER SECTION

Frequency Range .....	530kHz ~ 1710kHz
Usable Sensitivity (S/N 20dB) .....	20 $\mu$ V
I.F. Rejection .....	80dB
Image Rejection .....	75dB
S/N Ratio .....	50dB
Antenna Impedance .....	75 $\Omega$

## TAPE SECTION

Wow & Flutter .....	0.1%
S/N Ratio (Normal) .....	52dB
S/N Ratio (with Dolby) .....	62dB
Separation .....	50dB
Frequency Response .....	50Hz ~ 15kHz

## CD SECTION

Disc size .....	5"
Channels .....	2-channel stereo
Sampling frequency .....	44.1kHz
D/A converter .....	Twin, 1-bit
Pickup .....	Optical 3-beam semiconductor laser
Output filter .....	Active
Frequency response .....	20Hz ~ 20kHz
Total harmonic distortion .....	0.03% (1 kHz)
Dynamic range .....	85dB
Signal-to-noise ratio .....	90dB
Wow and flutter .....	Below measurable limits
Channel separation (1kHz) .....	85dB

**AUDIO SECTION**

RMS Power Rating (3% THD) .....	20W × 4 (14.4 V)
RMS Power Rating (10% THD) .....	24W × 4 (14.4 V)
Maximum Output Power .....	45W × 4CH (15.0 V)
Load Impedance .....	4Ω

**GENERAL**

Operating Voltage .....	12V (10.5—15.0 V)
Operating Current Maximum .....	13A

**IMPORTANT INFORMATION**

Because its products are subject to continuous improvement, SANYO reserves the right to modify product designs and specifications without notice and without incurring any obligation.



# CONTENIDO

CUIDADO DE LOS DISCOS COMPACTOS .....	32
PANTALLA DIGITAL .....	34
PANEL FRONTAL EXTRAÍBLE .....	35
FUNCIONAMIENTO GENERAL .....	36
FUNCIONAMIENTO DE LA RADIO .....	38
FUNCIONAMIENTO DE LA CINTA .....	40
FUNCIONAMIENTO DEL CD .....	43
FUNCIONAMIENTO DEL CAMBIADOR DE CD .....	45
MENSAJES DE ERROR .....	47
RELOJ (CLOCK) .....	48
SUGERENCIAS PARA EL FUNCIONAMIENTO CORRECTO Y SEGURO .....	49
CORRECCIÓN DE ANORMALIDADES .....	50
ACCESORIOS Y COMPONENTES .....	51
INSTALACIÓN .....	52
DESMONTAJE .....	55
CONEXIONES ELÉCTRICAS .....	56
CONEXION DE SALIDAS DEL CAMBIADOR DE CD .....	57
ESPECIFICACIONES .....	58

## ATENCIÓN

- Este aparato está diseñado para funcionar sólo en sistemas eléctricos de toma de tierra NEGATIVA, de 12 voltios de CC.
- Cuando deba sustituir el fusible, utilice sólo fusibles de 15 amperios.  
No lo sustituya con uno de amperaje superior. Si el fusible se funde a menudo, revise las conexiones eléctricas por si hubiera algún cortocircuito y, además, solicite servicio técnico para comprobar el regulador de voltaje de su automóvil.
- No instale el aparato en un lugar donde esté expuesto al sol o al calor desprendido por la calefacción.
- No esponga el aparato al agua ni a la humedad.
- Para evitar dañar el aparato, no introduzca por la ranura de discos nada excepto discos compactos.
- La unidad debe realizarse únicamente por personal cualificado del servicio técnico. Si precisa asistencia, devuelva el equipo a un concesionario SANYO autorizado para aparatos.
- El uso de los Controles o ajuste o la realización de procedimientos distintos a los que aquí se especifican pueden tener como resultado una exposición peligrosa a radiaciones.
- Los cambios o modificaciones no aprobados expresamente por Sanyo pueden invalidar la autoridad del usuario para operar este equipo.
- Apartado del reproductor de CD:  
Este dispositivo cumple el Apartado 15 de las normas FCC. Su funcionamiento está sujeto a las siguientes condiciones:  
(1) Este dispositivo no debe provocar interferencias perjudiciales y (2) debe aceptar cualquier interferencia recibida, incluso aquellas que puedan ocasionar un funcionamiento no deseado.

## NOTA

Este equipo ha sido sometido a pruebas y se ha comprobado que cumple con las especificaciones para los dispositivos digitales de clase B, de acuerdo con el apartado 15 de la normativa FCC. Dichas especificaciones se han establecido para garantizar una protección razonable contra interferencias perjudiciales en instalaciones habitables. Este equipo genera, utiliza y puede radiar energía en forma de radiofrecuencia de modo que, si no se instala y se utiliza de acuerdo con las instrucciones, puede causar interferencias que perturben las comunicaciones de radio. Sin embargo, no se garantiza que no puedan producirse interferencias en una determinada instalación. Si este equipo origina interferencias en la recepción de radio o televisión, manifiestas cuando se enciende y se apaga el equipo, se recomienda al usuario que corrija las interferencias del modo siguiente:

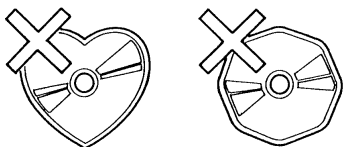
- reoriente o cambie de lugar la antena receptora.
- aumente la distancia de separación entre el equipo y el receptor.
- conecte el equipo a otra toma o a un circuito distinto al que está conectado el receptor.
- consulte con el distribuidor o el técnico de radio/TV.

# CUIDADO DE LOS DISCOS COMPACTOS

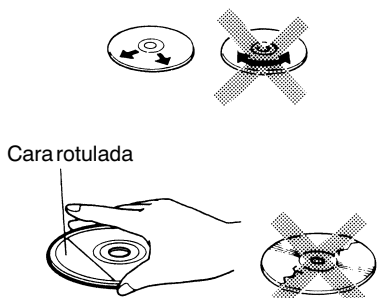
La suciedad, el polvo y las deformaciones en un disco pueden causar deterioros en el sonido o saltos discontinuos de algunas canciones durante la reproducción.



- Este aparato ha sido diseñado para la reproducción de discos compactos que lleven el logo de identificación mostrado a la izquierda. No puede ser reproducido ningún otro tipo de discos.
- No se pueden usar discos CD-R y CD-RW.



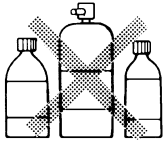
- No use discos compactos no convencionales de formas como corazones, octogonales, etc. El reproductor de discos compactos se podría dañar.



- Limpie con cuidado las huellas y el polvo de la superficie de reproducción del disco usando un paño suave. Limpie siempre desde dentro hacia afuera en un movimiento continuo. Al contrario de los discos convencionales, el disco compacto no tiene surcos donde se acumulen polvo y residuos. Las partículas de polvo pequeñas no afectan la calidad de reproducción.
- No introduzca en el aparato ningún disco que esté rajado.
- No pegue papeles ni escriba nada sobre la superficie del disco.



- Para impedir que el disco se deforme, no lo exponga prolongadamente al sol, ni a la humedad ni a temperaturas extremas.



Bencina Disolvente Spray limpiador



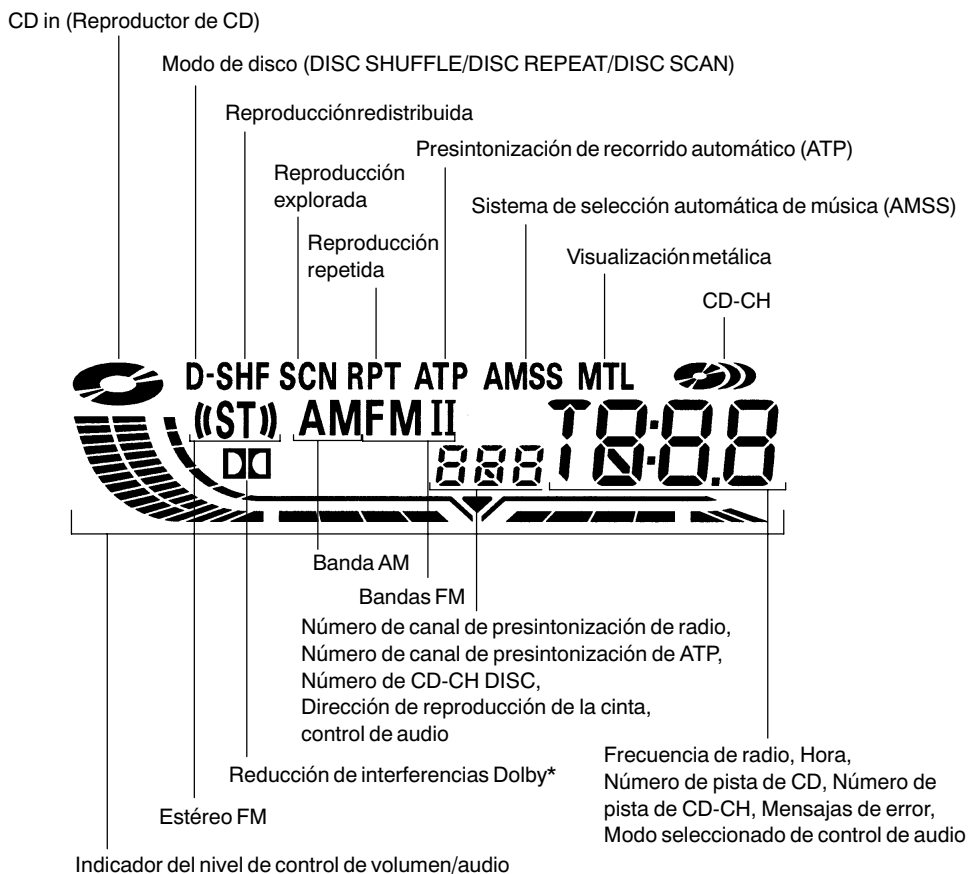
- No limpie nunca los discos compactos con productos químicos tales como aerosoles limpiadiscos, aerosoles o fluidos antiestáticos, bencina o disolventes. Estos productos químicos dañarían irreparablemente la superficie plástica del disco.
- Cuando no use el tocadiscos durante un periodo prolongado de tiempo, saque el disco compacto y guárdelo en el estuche plástico correspondiente. Con ello protegerá el disco del polvo y del sol.

- **CDs de modos mezclados**

Este producto sólo reproduce pistas de CDs de modos mezclados.

La pista inicial tiene datos que no son de audio, y por lo tanto no produce ningún sonido. La reproducción comenzará desde la pista siguiente. (Los CDs de modos mezclados son CDs que contienen datos que no son de audio y pistas de audio.)

# PANTALLA DIGITAL



\*Dolby NR (reducción de interferencias) se fabrica bajo licencia de Dolby Laboratories Licensing Corporation. "Dolby" y el símbolo de doble D son marcas registradas de Dolby Laboratories Licensing Corporation.

## CERTIFICADO DE SEGURIDAD

Este reproductor de discos compactos se ha fabricado y comprobado en cumplimiento estricto de los estándares de seguridad.

Es conforme a la normativa FCC y a los estándares operativos de seguridad del Departamento de Sanidad y Servicios Humanos de los Estados Unidos.

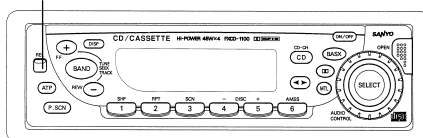
# PANEL FRONTAL EXTRAÍBLE

El panel frontal se ha diseñado para que pueda extraerse y evitar así el robo del aparato. Es recomendable que extraiga el panel frontal y lo lleve consigo cuando abandone el vehículo. El aparato viene provisto de una funda de transporte a tal efecto.

## CÓMO EXTRAER EL PANEL FRONTAL

- 1 Presione hacia abajo la muesca de liberación (REL) para soltar el panel frontal.
- 2 Tire de él para extraerlo del aparato.

PERILLA DE LIBERACIÓN

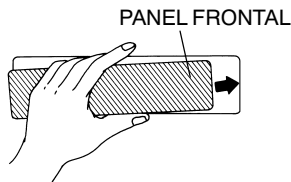


## CÓMO REEMPLAZAR EL PANEL FRONTAL

Alinee la parte derecha del panel con el tope, y a continuación empuje suavemente la parte izquierda hasta que se oiga un "clic".

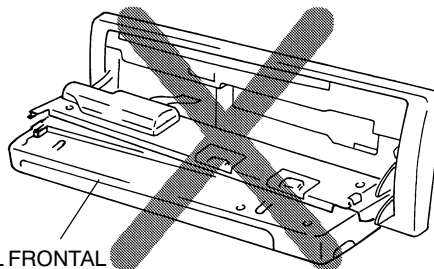
### Nota

*El aparato no funcionará si no se instala correctamente.*



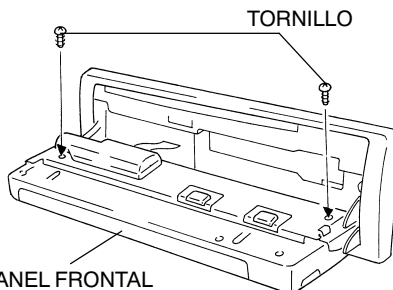
### ⚠ ATENCIÓN

No intente extraer ni cambiar la cártula con la puerta abierta.



## SEGURIDAD

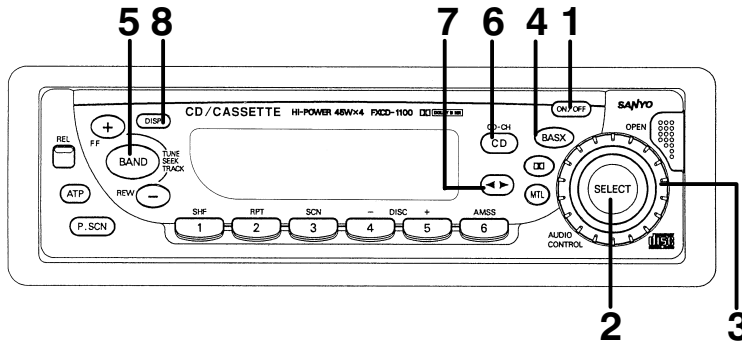
Para evitar cualquier robo o pérdida del panel frontal, puede inhabilitar la perilla de liberación instalando el tornillo tal como se muestra.



### ⚠ ATENCIÓN

- No intente extraer el panel de un modo distinto al que se ha descrito anteriormente.
- Cuando instale el panel, no lo fuerce para que encaje en el aparato.
- No toque los terminales de conexión del panel o del aparato, ya que podría provocar contactos defectuosos.
- Utilice un trapo limpio y seco para limpiar los terminales.
- Mantenga el panel alejado de la luz solar y de altas temperaturas.
- Evite que el panel entre en contacto con bencina, diluyentes, o insecticidas.
- Procure que el panel no caiga al suelo.

# FUNCIONAMIENTO GENERAL



## PUESTA EN MARCHA DEL APARATO

Instale el panel frontal y pulse el botón ON/OFF (Encendido/Apagado) ① cuando el ACC está encendido.

## APAGAR LA UNIDAD ..... 1

Pulse el botón ON/OFF (Encendido/Apagado) ① para detener la operación actual.  
El botón se apaga cuando la alimentación está desactivada (CA activada).

## CONTROLES ELECTRÓNICOS ..... 2, 3

Pulse el botón SEL ② para seleccionar las funciones de audio que se muestran en la tabla siguiente.  
Gire la muesca cuadrada ③ para ajustar la función seleccionada: bajos, agudos, balance, desvanecido o volumen.

**Nota**

*Mientras no se visualice otro modo, la muesca cuadrada ajusta el volumen.*

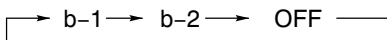
Modo	Funcionamiento de la muesca	
	Girado hacia la izquierda	Girado hacia la derecha
VOL (volumen)	Disminución	Aumento
bAS (bajos)	Disminución	Aumento
TRE (agudos)	Disminución	Aumento
bAL (balance)	Desplazado a la izquierda	Desplazado a la derecha
FAd (desvanecido)	Desplazado hacia delante	Desplazado hacia atrás

## REAJUSTE DE LOS CONTROLES ELECTRÓNICOS

Pulse el botón SEL ② durante unos 3 segundos hasta que la unidad emita un pitido, y los controles de audio, excepto el volumen, se reajustarán.

### BASSXPANDER (BASX) – 1/2 ..... 4

BASSXPANDER es una función de ecualizador de sonido en modo dual. Pulse el botón ④ para seleccionar los modos BASSXPANDER tal como se indica a continuación:



BASSXPANDER ofrece dos modos predefinidos: b-1, que mejora las frecuencias altas y bajas; y b-2, que mejora las frecuencias bajas y reduce las frecuencias altas.

### BOTÓN DE SELECCIÓN DE RADIO (BAND) ..... 5

Pulse el botón BAND ⑤ para cambiar de modo de cinta, reproductor de CD o cambiador de CD a radio. Cada vez que se pulsa el botón, la función cambia como se muestra a continuación.



### BOTÓN DE SELECCIÓN DE CINTA (◀ ▶) ..... 7

Pulse el botón ⑦ para cambiar de modo de radio, reproductor de CD o cambiador de CD a modo de cinta.

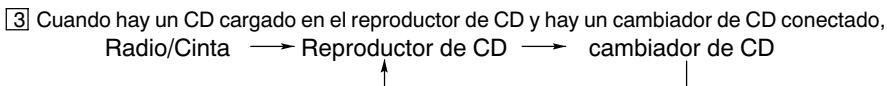
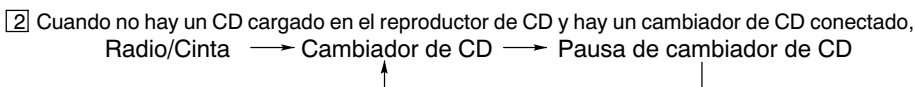
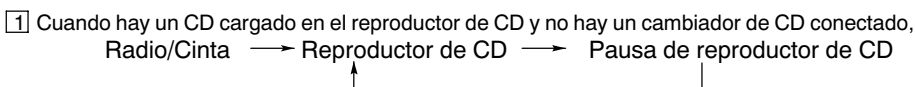
### BOTÓN DE SELECCIÓN DE REPRODUCTOR DE CD O

### CAMBIADOR DE CD\* (CD/CD-CH) ..... 6

Pulse el botón CD/CD-CH ⑥ para cambiar de modo de radio a modo de cinta a reproductor de CD o cambiador de CD\*.

\*Si se ha conectado un cambiador de CD

Pulsando el botón se cambiará de modo de la siguiente manera:



### BOTÓN RELOJ (DISP) ..... 8

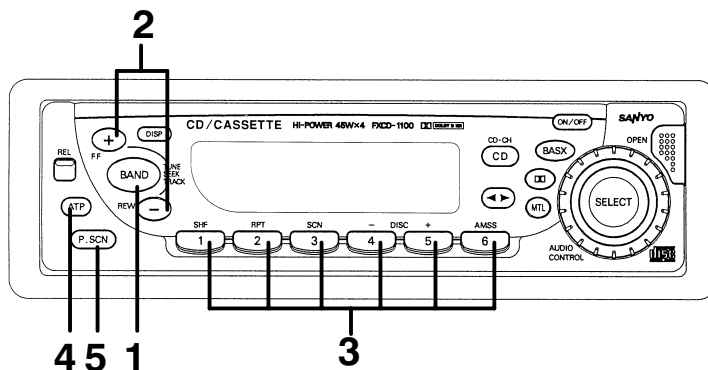
Pulse el botón RELOJ ⑧ para cambiar entre la visualización de la hora y la de audio. Cuando se utiliza una función de audio mientras está seleccionada la visualización de la hora, la visualización de audio aparecerá durante 5 segundos y volverá al modo hora.

### CANCELACIÓN DE LOS TONOS DE PITIDO ..... 7

① Para cancelar todos los tonos de pitido, pulse el botón ⑦ durante más de 3 segundos sin que haya ninguna casete en la ranura, y se visualizará **OFF**.

② Para volver a activar el tonos de pitido, repita el procedimiento. Los tonos de pitido quedarán definidos y se visualizará **ON**.

# FUNCIONAMIENTO DE LA RADIO



## SELECCIÓN DE LA MODALIDAD DE RADIO ... 1

Pulse el botón BAND ① para cambiar de modo de cinta, reproductor de CD o cambiador de CD\* a radio.

\*Si se ha conectado un cambiador de CD

Cada vez que se pulsa el botón BAND, la banda seleccionada cambia como se muestra a continuación.



## SINTONIZACIÓN DE LA RADIO ..... 2

- Sintonización automática ..... Pulse el botón TUNE/SEEK/TRACK ⊕ o ⊖ ② durante más de 1 segundo hasta que se emitan dos pitidos si están activados los pitidos sonoros. Cuando suelte el botón, el sistema comenzará la sintonización automática y detendrá la búsqueda en la siguiente emisora que pueda recibirse.
- Sintonización manual ..... Para seleccionar emisoras de frecuencia m s alta, pulse el botón ⊕ durante menos de 0,5 segundos. Para seleccionar emisoras de frecuencia m s baja, pulse el botón ⊖ durante menos de 0,5 segundos. Si desea pasar rápidamente a frecuencias mayores o menores pulse el botón ⊕ o ⊖, respectivamente, y manténgalo apretado. Suelte el botón cuando la frecuencia visualizada esté próxima a la que usted busca: a continuación pulse y suelte brevemente el botón hasta visualizar la frecuencia deseada.

## MEMORIZACIÓN DE EMISORAS PRESINTONIZADAS ..... 3

Los botones prefijados ③ se pueden usar para almacenar 6 emisoras en cada banda (FMI, FMII y AM) para acceder a ellas con mayor facilidad.

- Programming stations ... ① Seleccione la banda deseada y sintonice la emisora que quiere memorizar. ② Pulse y mantenga pulsado uno de los botones prefijados durante m s de 2 segundos. Repita los pasos ① y ② para programar emisoras adicionales.
- Sintonización rápida ... Seleccione la emisora que desee y pulse und de los seis botones prefijados.



## FUNCIONAMIENTO DEL ATP (AUTO TRAVEL PRESET) ... 4

La función Auto Travel Preset (Prefijado automático en viaje) busca y memoriza las 6 emisoras más potentes en una de las 2 bandas (FMI, AM) en orden de potencia de la señal.

Esta función resulta útil cuando se conduce por una zona que no es familiar, y se desea memorizar las emisoras locales sin cambiar las emisoras estándar presintonizadas.

Pueden programarse un total de 12 emisoras (6 de FM y 6 de AM).

- Para memorizar las emisoras . . . . .
  - 1 Seleccione la banda deseada.
  - 2 Pulse y mantenga pulsado el botón ATP ④ durante más de 2 segundos. En la pantalla aparece "ATP". Cuando se hayan memorizado las emisoras, la búsqueda se detendrá y comenzará a recibirse la emisora más potente.
- Sintonización rápida de emisora ATP . . . . .
  - 1 Seleccione la banda deseada.
  - 2 Pulse el botón ATP si el indicador "ATP" no aparece en la pantalla.
  - 3 Pulse el botón ④ durante menos de 1 segundo para seleccionar para seleccionar la emisora deseada prefijada con la función ATP. Cada vez que pulsa el botón ATP, se selecciona la siguiente función prefijada. Si no pueden prefijarse las seis emisoras, los canales vacíos se indican en la pantalla mediante " - - -".
- Para rastrear emisoras programadas . . . . . Consulte la sección "Funcionamiento del botón de rastreo de emisoras de emisoras prefijadas.

### Notas

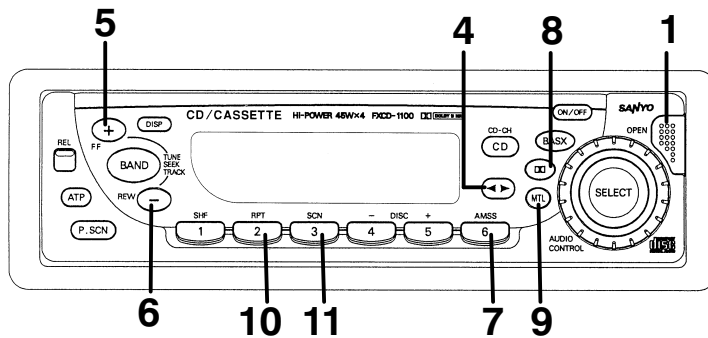
- Si puede recibirse la emisora, aparecerá " - - -" en el indicador (display).
- Si sólo pueden recibirse menos de 6 emisoras, el sistema memoriza tantas emisoras como puede, después ya puede seleccionarse la memorizada en primer lugar.
- Si se selecciona el modo ATP en la banda FMII, se selecciona el modo FMI ATP.

## FUNCIONAMIENTO DEL BOTON DE EXPLORACION Y PRESELECCION . . . . . 1, 4, 5

Esta función explora cada una de las emisoras preseleccionadas para la banda seleccionada. (tanto para preselección manual como automática.)

- 1 Seleccione la banda deseada o el modo ATP.  
Pulse el botón BAND ① para FMI, FMII o AM. Pulse el botón ATP ④, durante al menos 0,5 segundos, para seleccionar el modo ATP.
- 2 Pulse el botón P.SCN ⑤. El sistema selecciona y recibe cada emisora prefijada durante 5 segundos.
- 3 Para detener la búsqueda y mantener la emisora seleccionada, pulse de nuevo el botón P.SCN ⑤ durante este período de cinco segundos.

# FUNCIONAMIENTO DE LA CINTA



## CARGA Y EXPULSIÓN DE LA CINTA

Pulse el botón de apertura ① para abrir la puerta.

Inserte una casete en la ranura para cintas ② y se pondrá en marcha el reproductor de cintas.

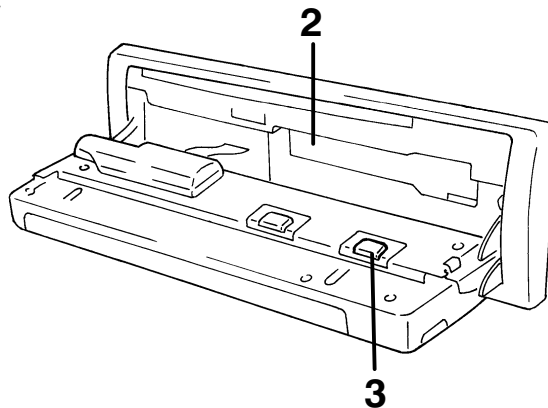
Pulse el botón de expulsión ③ para extraer la cinta.

El sistema volverá al último modo de funcionamiento.

### ⚠ ATENCIÓN

Solo se deben usar casetes de no más de 90 minutos.

Las cintas que exceden los 90 minutos son finas y se rompen fácilmente.



## SELECCIÓN DE LA MODALIDAD DE CINTA

La inserción de una casete en la ranura para cintas tal como se ha indicado en el apartado anterior pondrá en marcha el reproductor de cintas. Si la radio, reproductor de CD o cambiador de CD\* está funcionando con una cinta cargada, pulse el botón ④ para pasar al modo de reproducción de cintas.

\*Si se ha conectado un cambiador de CD

## CAMBIO DE LA DIRECCIÓN DE LA CINTA ..... 4

Pulse el botón ④.

- Cuando la cinta llegue al final de una cara, se cambiará automáticamente a la otra cara.

## AVANCE O REBOBINADO RÁPIDO DE LA CINTA ..... 5, 6

Pulse el BOTÓN ⑤ para avanzar más rápido y el BOTÓN ⑥ para rebobinar la cinta.

Al pulsar el BOTÓN ④ durante el avance rápido y el rebobinado se reanudará la reproducción de la cinta.

## LOCALIZACION DEL INICIO DE UN PROGRAMA (AMSS) .. 5, 6, 7

Este sistema está dotado de una función que le permite saltar hacia delante o hacia atrás para localizar el principio de una determinada parte de la cinta y que recibe el nombre de Automatic Music Select System (AMSS) o Sistema de selección automática de música.

[1] Pulse el botón AMSS ⑦. Se visualizará "AMSS TAPE".

[2] Pulse el botón ⑤ para saltar hacia delante hasta 9 selecciones respecto a la posición de la cinta en ese momento.

por ej.) Cuando se visualice "TAPE", pulse el botón ⑤ tres veces y se visualizará "TAPE".

El sistema buscará 3 espacios en blanco entre las selecciones en dirección hacia delante y después empezará a reproducir la tercera selección desde el punto inicial.

[3] Pulse el botón ⑥ para saltar hacia atrás hasta el principio de la selección actual, o hasta 8 selecciones desde la posición de la cinta en ese momento.

por ej.) Cuando se visualice "TAPE", pulse el botón ⑥ cinco veces y se visualizará "TAPE".

El sistema buscará 5 espacios en blanco entre las selecciones en dirección hacia atrás y después empezará a reproducir la cuarta selección desde el punto inicial. (El espacio en blanco antes de la selección actual cuenta como un espacio en blanco.)

[4] Para cancelar el modo AMSS, vuelva a pulsar el botón ⑦.

### Notas

- Si AMSS detecta 15 segundos en un espacio en blanco, automáticamente hará avanzar la cinta a la siguiente selección. Se visualizará BS FF.
- AMSS no funcionará correctamente si
  - Si se ha grabado la cinta con un nivel de volumen bajo.
  - Si en la cinta hay intervalos de silencio demasiado largos.
  - Si la cinta contiene una grabación en directo (en vivo).

## BOTÓN DOLBY B NR (REDUCCIÓN INTERFERENCIAS) ..... 8

Para reproducir una cinta codificada con Dolby\* NR, pulse el botón ⑧.

Cuando Dolby\* NR está activado, el indicador se enciende.

Para reproducir otras cintas que no estén codificadas con Dolby\* NR, pulse el botón para desactivar Dolby\* NR. El indicador se apaga.

\*Dolby NR (reducción de interferencias) se fabrica bajo licencia de Dolby Laboratories Licensing Corporation. "Dolby" y el símbolo de doble D son marcas registradas de Dolby Laboratories Licensing Corporation.

## MODO DE REPRODUCCIÓN METÁLICA ..... 9



Si se utiliza una cinta de metal o de alta posición, pulse el botón de metal ⑨ para que el reproductor se ponga en marcha en modo metálico. Aparecerá indicado MTL.

## MODO DE REPETICIÓN ..... 10

Esta operación permite escuchar una selección repetidamente.

Pulse RPT ⑩ durante la reproducción. La reproducción de la selección continuará hasta que se vuelva a pulsar RPT.

## MODO DE EXPLORACIÓN ..... 11

La exploración permite buscar un programa reproduciendo los 10 segundos iniciales de cada selección. Pulse SCN  durante la reproducción para iniciar la operación de exploración. Para cancelar la exploración, vuelva a pulsar SCN .

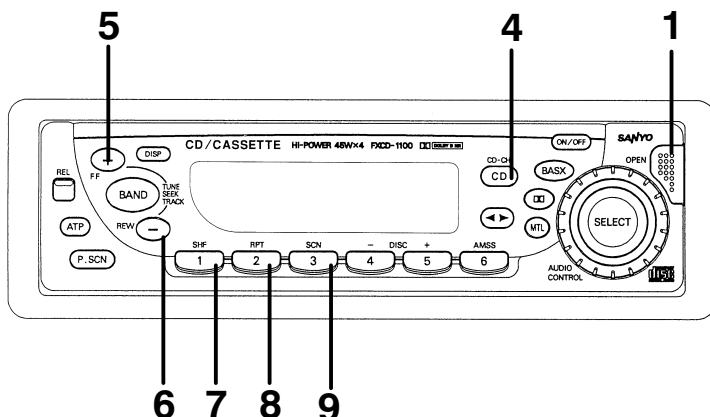
### **Notas**

*Es posible que RPT/SCN no funcionen correctamente si*

- *El nivel de grabación de la cinta es bajo.*
- *La cinta contiene amplios intervalos de silencio.*
- *La cinta es una grabación en directo.*

# FUNCIONAMIENTO DEL CD

El reproductor de discos compactos acepta CD de 5 pulgadas.



## CARGA Y EXPULSIÓN DE CD

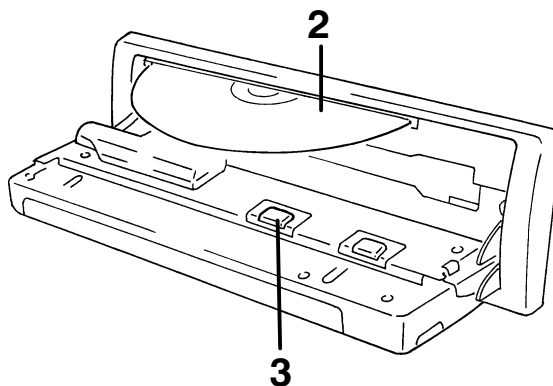
Pulse el botón de apertura ① para abrir la puerta.

Al insertar el disco en la bandeja de CD ② se iniciará la reproducción.

Si pulsa el botón de expulsión ③ se expulsará el disco.

### ⚠ ATENCIÓN

- Este reproductor de CD no está diseñado para CDs de 3 pulgadas. No utilice CDs de 3 pulgadas ni adaptadores de 3 pulgadas.
- Si el aparato tiene un CD cargado, no intente insertar otro disco, pues los discos y el aparato podrían resultar dañados.



## CAMBIAR AL MODO CD ..... 4

Pulse el botón CD ④ para cambiar del modo de radio, de modo de cinta o cambiador de CD\* al modo de reproductor de CD.

Pulsando el botón cambiará de modo de la manera detallada en la sección "BOTÓN DE SELECCIÓN DE REPRODUCTOR DE CD O CAMBIADOR DE CD (CD/CD-CH)" en la página 37.

Si se conecta el modo CD con un disco en la bandeja, la reproducción se inicia desde el punto en que se detuvo. Una vez reproducido todo el disco, la unidad reanuda la reproducción desde la primera pista.

La unidad de CD continuará la reproducción del disco hasta que se ON/OFF, el otro modo es seleccionado o el CD es expulsado.

\*Si se ha conectado un cambiador de CD

## SALTO DE PISTAS ..... 5, 6

Pulse el botón TRACK ⊕ ⑤ para ir al principio de la pista siguiente.

Pulse el botón TRACK ⊖ ⑥ para ir al principio de la pista que se está reproduciendo.

Pulse el botón TRACK ⊖ ⑥ dos veces para ir al principio de la pista anterior.

Pulse y mantenga pulsado el botón TRACK ⊕ o ⊖ durante más de 1.5 segundos para hacer una búsqueda rápida (con sonido) en dirección hacia adelante o hacia atrás respectivamente.

Al soltar el botón, el CD reanuda la reproducción normal.

## MODALIDAD ALEATORIA ..... 7

Esta función reproduce las pistas del CD en orden aleatorio.

Pulse el botón SHF ⑦ para iniciar la reproducción aleatoria.

Pulse el botón TRACK ⊕ o ⊖ (⑤ o ⑥) para seleccionar otra pista aleatoria.

Para cancelar este modo, vuelva a pulsar el botón SHF ⑦ o expulse el CD.

### **Nota**

*Si hay un disco dentro de la unidad en las siguientes condiciones, la reproducción aleatoria se reanuda desde el punto en que se detuvo:*

- *Si se desconecta el contacto del vehículo y se vuelve a conectar.*
- *Si se desactiva el reproductor y se vuelve a activar con el botón ON/OFF.*

## MODALIDAD DE REPETICIÓN ..... 8

Pulse el botón RPT ⑧ para reproducir repetidamente la pista actual.

Para cancelar este modo, vuelva a pulsar el botón RPT ⑧ o expulse el CD.

### **Nota**

*Si hay un disco dentro de la unidad en las siguientes condiciones, la reproducción repetida se reanuda:*

- *Si se desconecta el contacto del vehículo y se vuelve a conectar.*
- *Si se desactiva el reproductor y se vuelve a activar con el botón ON/OFF.*

## MODE DE EXPLORACIÓN (REPRODUCCIÓN DEL PRINCIPIO DE LAS PISTAS O DE LOS DISCOS) ..... 9

Esta función reproduce los primeros 10 segundos de cada pista sucesivamente.

Pulse el botón SCN ⑨ para iniciar el modo de exploración.

El sistema permanecerá en este modo hasta que llegue a la pista en la que se ha iniciado el modo de exploración.

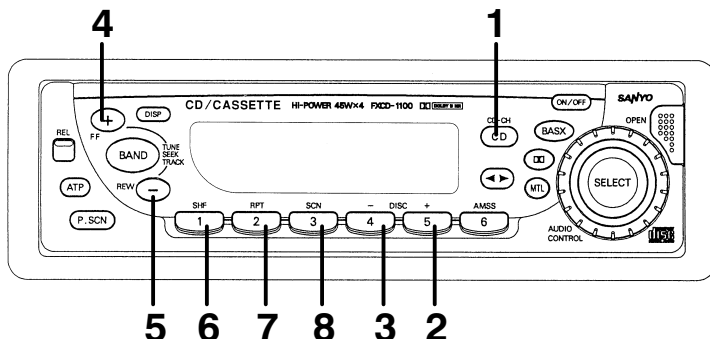
Para cancelar este modo vuelva a pulsar el botón SCN ⑨.

### **Nota**

*El modo de exploración se cancelará si se desconecta el contacto del vehículo, si se realiza cualquier otra operación importante, a excepción del ajuste de la hora, o si se expulsa el disco.*

# FUNCIONAMIENTO DEL CAMBIADOR DE CD

LA UNIDAD PUEDE UTILIZARSE PARA CONTROLAR LAS FUNCIONES DE LOS MODELOS AX-300, AX-500 U OTROS CAMBIADORES DE CD COMPATIBLES CON SANYO.



## SELECCIÓN DE LA MODALIDAD DE CAMBIADOR DE CD .....

**1**

Pulse el botón CD/CD-CH ① para cambiar de modo de radio a modo de cinta a reproductor de CD o cambiador de CD.

Pulsando el botón cambiará de modo de la manera detallada en la sección "BOTÓN DE SELECCIÓN DE REPRODUCTOR DE CD O CAMBIADOR DE CD (CD/CD-CH)" en la página 39.

## SELECCIÓN DE UN DISCO .....

**2, 3**

Pulse el botón DISC + ② para seleccionar el siguiente disco.

Pulse el botón DISC - ③ para seleccionar el disco anterior.

## SALTO DE PISTAS .....

**4, 5**

Pulse el botón TRACK + ④ para ir al principio de la pista siguiente.

Pulse el botón TRACK - ⑤ para ir al principio de la pista que se está reproduciendo.

Pulse el botón TRACK - ⑤ dos veces para ir al principio de la pista anterior.

Pulse y mantenga pulsado el botón TRACK + ④ o - ⑤ durante más de 2 segundos para hacer una búsqueda rápida (con sonido) en dirección hacia adelante o hacia atrás respectivamente.

Al soltar el botón, el CD reanuda la reproducción normal.

## MODALIDAD ALEATORIA .....

**6**

Esta función reproduce las pistas de un CD o de todos los CD del alimentador de forma aleatoria.

- Reproducción aleatoria de pistas . . . . Pulse el botón SHF ⑥ para reproducir las pistas del disco actual de forma aleatoria.
- Reproducción aleatoria de discos; . . . . Pulse el botón SHF ⑥ durante más de 2 segundos. El sistema selecciona un disco de forma aleatoria y reproduce todas las pistas que hay en ese disco. Una vez reproducidas todas las pistas se selecciona el disco siguiente y se repite la "reproducción aleatoria".

Para cancelar el modo de cambio de pista o de disco, pulse de nuevo el botón SHF ⑥.

El sistema permanecerá en esta modalidad hasta que se cancele.

## MODALIDAD DE REPETICIÓN ..... 7

- Repetición de pistas ..... Pulse el botón RPT ⑦ para reproducir continuamente la pista actual.
- Repetición de discos ..... Pulse el botón RPT ⑦ durante m s de 2 segundos para reproducir continuamente el disco actual.

Para cancelar el modo de repetición de pista o disco, pulse de nuevo el botón RPT ⑦.

El sistema permanecerá en esta modalidad hasta que se cancele.

## MODO DE EXPLORACIÓN (REPRODUCCIÓN DEL PRINCIPIO DE LAS PISTAS O DE LOS DISCOS) ..... 8

Esta función reproduce los primeros 10 segundos de cada pista o disco por orden.

- Reproducción del principio de las pistas ..... Pulse el botón SCN ⑧ para reproducir secuencialmente los 10 primeros segundos de cada pista del disco actual.  
(Exploración de pistas)
- Reproducción del principio de los discos ..... Pulse el botón SCN ⑧ durante m s de 2 segundos para gun reproducir los 10 primeros segundos de cada disco del alimentador.  
(Exploración de discos)

Para cancelar esta modalidad, pulse el botón ⑧ otra vez.

### **Nota**

*El modo de exploración se cancelará si se desconecta el contacto del vehículo, si se realiza cualquier otra operación importante, a excepción del ajuste de la hora, o si se expulsa el disco.*



# MENSAJES DE ERROR


Del reproductor de CD

Si se produjera alguna anomalía durante el funcionamiento del Tocabdiscos de CD incorporado, podría aparecer alguno de los mensajes de error siguientes:

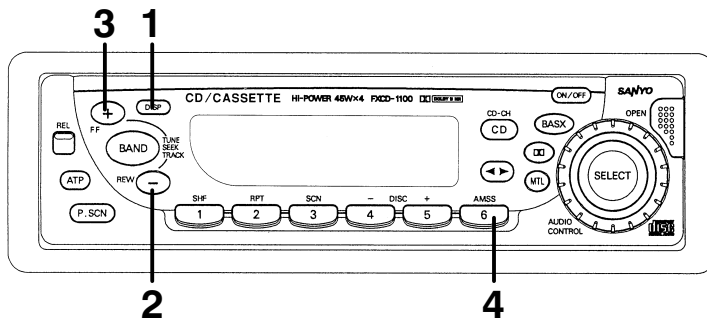
Mensaje de error	Causa	Solución
E01	Error de mecanismo anormal	Pulse el botón de expulsión. Apague y encienda el aparato otra vez. Si no se corrige, póngase en contacto con el establecimiento de compra.
E07	El disco no se ha insertado bien.	Expulse el disco e inserte otro correctamente.
	El disco está sucio.	Limpie el disco.
	El disco está defectuoso.	Utilice otro disco.
	Existe condensación en la lente óptica.	Mantenga apagado el reproductor de discos durante una hora, aproximadamente, y después repita la operación.
E99	Error de conexión interno	Apague y encienda el aparato otra vez. Si no se corrige, póngase en contacto con el establecimiento de compra.

Del cambiador de CD

Si se produjera alguna anomalía durante el funcionamiento del cambiador de CD conectado, podría aparecer alguno de los mensajes de error siguientes:

Mensaje de error	Causa	Solución
E01	Error de mecanismo anormal.	Póngase en contacto con el establecimiento de compra.
E07	El disco no se ha insertado bien.	Insértelo correctamente.
	El disco está sucio.	Limpie el disco.
	El disco está defectuoso.	Utilice otro disco.
	Existe condensación en la lente óptica.	Mantenga apagado el reproductor de discos durante una hora, aproximadamente, y después repita la operación.
		Consulte las instrucciones de manejo del cambiador de CD.
E30	Se ha detectado una temperatura excesiva en el vehículo.	Ventílelo
parpadeando  no CD	El alimentador de discos no encaja correctamente en el cargador. No hay CDs en el cartucho	Insértelo completamente en el cambiador hasta que encaje perfectamente en su sitio. Cargue CDs en el cartucho

# RELOJ (CLOCK)



## CAMBIAR EL MODO DE VISUALIZACION ..... 1

La información que aparece en la pantalla de la unidad se puede cambiar pulsando el botón ①. Pulse el botón DISP ① para cambiar la información en la pantalla entre la hora y el audio. Cuando está seleccionado el modo de la hora al comenzar a funcionar la radio, la cinta o CD, el modo seleccionado aparece en la pantalla durante 5 segundos y después ésta vuelve al modo de la hora.

## AJUSTE DE LA HORA ..... 1, 2, 3

Si desea ajustar la hora, pulse el botón DISP ① durante 2 segundos, como mínimo. La visualización de la hora parpadeará.

Para ajustar los minutos, pulse el botón ⊖ ②.

Para ajustar la hora, pulse el botón ⊕ ③.

Para hacer que la hora avance rápidamente, mantenga pulsado el botón ⊖ o ⊕.

Vuelva a pulsar el botón DISP ① para poner en marcha el reloj.

## REPOSICIONAMIENTO DEL RELOJ (CLOCK RESET) ..... 1, 4

Pulse el botón DISP ① durante 2 segundos, como mínimo. La visualización de la hora parpadeará. En ese momento, pulse el botón 6 ④ para saltar a la media hora más próxima, tal como se muestra en el ejemplo siguiente:

por ejemplo: 3:00~3:29 → 3:00

3:30~3:59 → 4:00

### Notas

- Este aparato emplea un reloj de 12 horas.
- Tanto la función reloj como los ajustes previos de radio se conservan en la memoria cuando se desconecta el equipo de audio.

# SUGERENCIAS PARA EL FUNCIONAMIENTO CORRECTO Y SEGURO

---

- **Condensación**

La humedad puede condensarse en la lente óptica del tocadiscos, bien durante los días de lluvia o simplemente tras haber encendido la calefacción del vehículo. Si ello ocurriera, el tocadiscos no puede funcionar correctamente. Para remediar la situación, extraiga el disco del aparato y espere aproximadamente una hora.

La humedad se evaporará en ese intervalo y el aparato volverá a funcionar normalmente.

- **Temperaturas extremas**

El aparato no puede funcionar correctamente a temperaturas extremadamente frías o calientes. Evite exponer el aparato a temperaturas extremadamente altas o bajas.

- **Interrupciones del sonido (saltos)**

Puede ocurrir que, al conducir por carreteras en mal estado, se produzcan saltos o interrupciones del sonido en el CD. Esto no causará ningún daño al disco ni al tocadiscos. Si se produjeran dichos saltos, espere hasta que mejore la carretera.

- **Seguridad**

Para conducir seguro, mantenga el volumen a un nivel moderado que le permita oír los sonidos exteriores (tales como las sirenas de vehículos de emergencia)

- **Limpieza del aparato**

Limpie el aparato con un paño suave y seco. Para quitar las manchas use un paño suave mojado en agua templada y bien escurrido. No emplee nunca productos químicos o disolventes. Estos dañarían el acabado del aparato.

- **Cuidado de los discos**

Si no utiliza el tocadiscos durante un periodo prolongado de tiempo, extraiga el disco compacto y guárdelo en el estuche plástico correspondiente. No deje ningún disco colocado en el portadiscos del CD a medio abrir.

- **Servicio Técnico**

Si surgiera cualquier problema, no abra el aparato ni intente repararlo por su cuenta.

Si fuera necesario efectuar alguna reparación, lleve el aparato a su distribuidor.

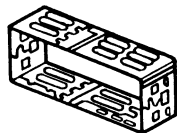
# CORRECCIÓN DE ANORMALIDADES

Algunas veces, un simple fallo en el funcionamiento o un error en el cableado puede parecer que sea debido a un problema en el aparato. Antes de llevar el aparato a reparar, observe la siguiente tabla de corrección de anomalías.

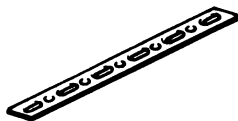
Síntoma	Causa	Solución
El disco de cinta no es reproducido cuando se ha insertado en el aparato.	El control del volumen está apagado.	Conecte el control de volumen.
	Las conexiones de alimentación no son correctas.	Compruebe las conexiones de +12 V y de masa.
No llega corriente.	No está puesto el contacto de encendido del vehículo.	Accione el contacto de encendido a "ON" o a "ACC".
	El fusible está fundido.	Cambie el fusible por otro nuevo de 15 A.
El aparato no funciona correctamente (Eject, Load, Play).	El microcomputador está siendo afectado por el ruido.	Extraiga el disco de cinta y vuélvalo a insertar. Apague y encienda el aparato otra vez.
El sonido del tocadiscos "salta".	La carretera está en mal estado.	Espere a que mejore la carretera.
	El aparato no está fijo.	Instale la unidad firmemente. Asegúrese de utilizar la cinta posterior si el vehículo no facilita soporte para la parte posterior de la unidad. (vea la página 53)
	El disco es defectuoso.	Pruebe con otro disco. Si éste se oye bien, el primero podría estar defectuoso.
	El disco está sucio.	Limpie el disco según instrucciones en pág. 32-33.
No hay recepción de radio.	No se ha conectado el cable de antena.	Inserte el cable de antena con firmeza en el jack de la antena del aparato.
La radio no para en todas las emisoras usando la sintonización automática.	Las señales son débiles.	Seleccione una emisora con la sintonización manual.

# ACCESORIOS Y COMPONENTES

## INSTALACIÓN



bastidor de montaje  
(semiprotector) x 1



Banda posterior  
(Llave) x 1



Tornillo M5 x 14  
x 2



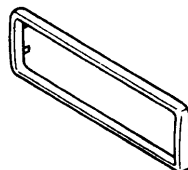
Tornillo hexagonal M8 x 6  
x 4



arandela aislante  
x 1



tornillo para montaje  
x 1



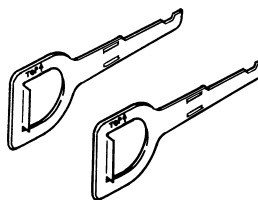
Marco de adorno removible  
x 1

## SEGURIDAD DEL PANEL FRONTAL



Tornillo M2 x 6  
x 2

## JUEGO DE DESMONTAJE

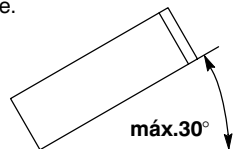


horquillas de desbloqueo  
x 2

# INSTALACIÓN

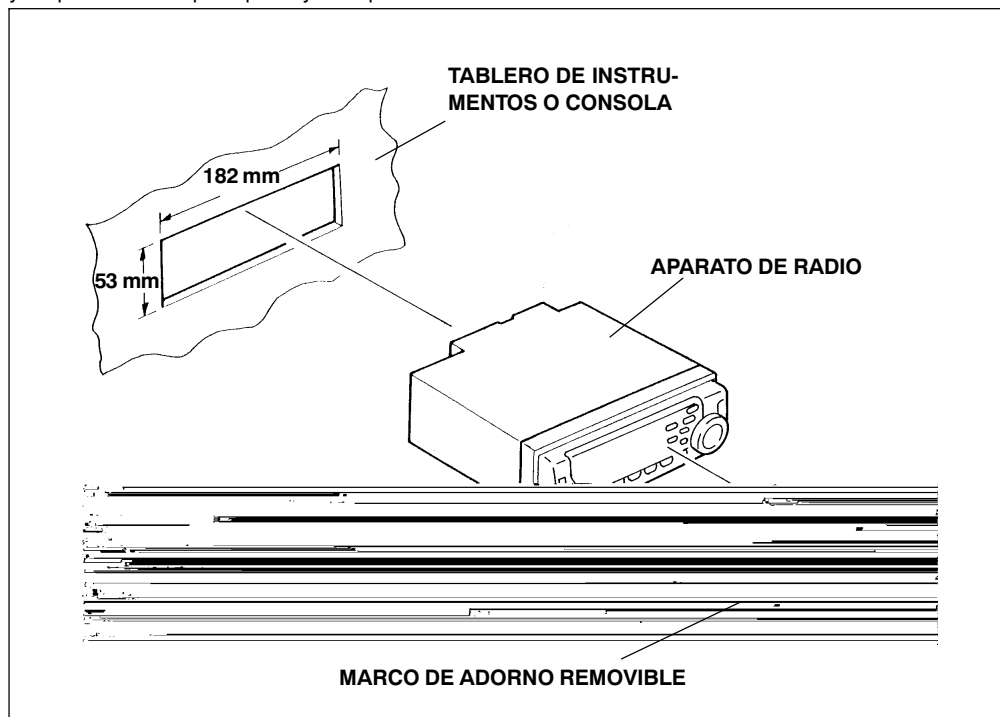
## 1. ANTES DE LA INSTALACIÓN

Cuando instale la unidad en el vehículo, colóquela lo más horizontal posible. En caso de que deba instalar la unidad inclinada, debido a las características del vehículo, asegúrese de que el ángulo de inclinación no sobrepase los 30°.



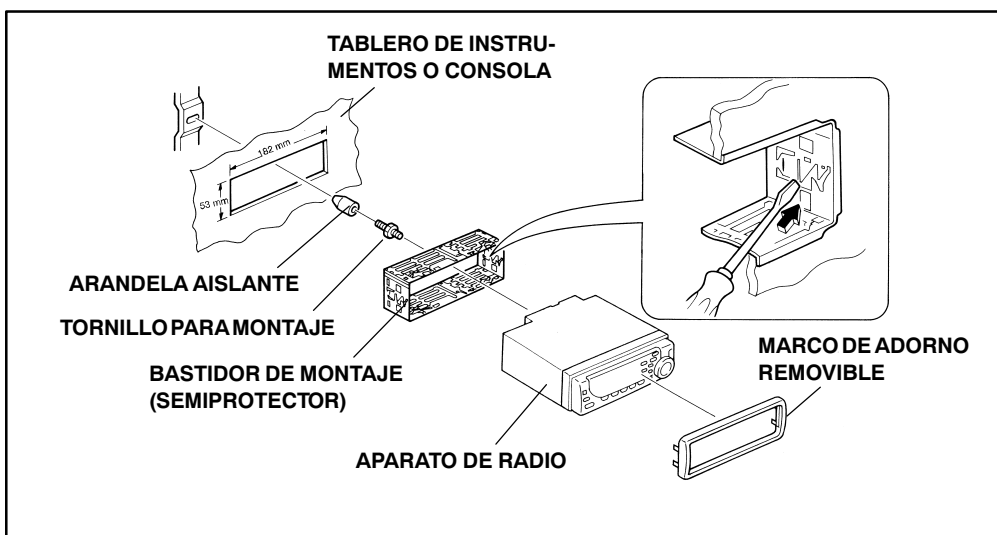
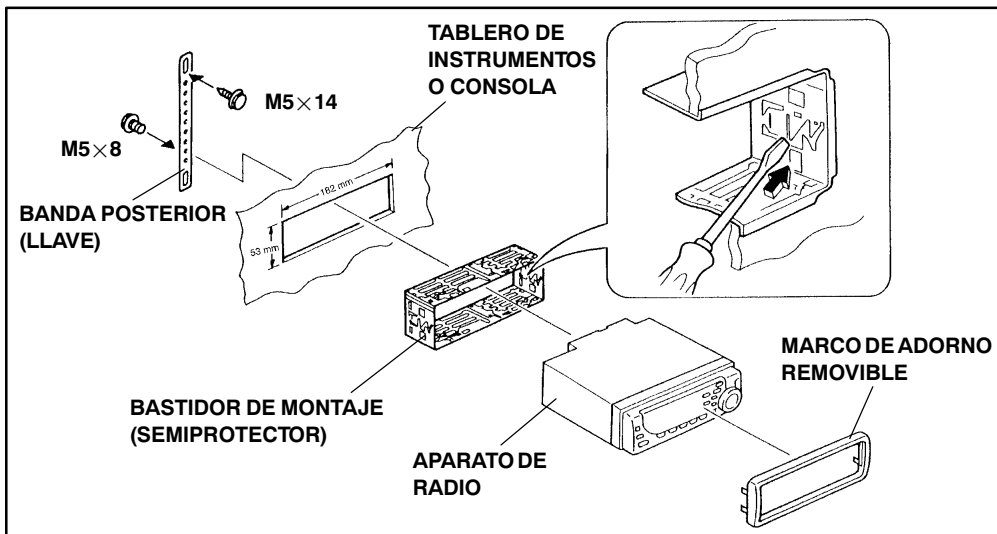
## 2. MONTAJE ISO CON MARCO DE ADORNO REMOVIBLE

Cuando se monte la unidad en un receptáculo estándar DIN (182×53 mm) en el salpicadero o en la consola, instale el marco de adorno removible en la unidad. El marco de adorno removible se instala mediante los orificios y las patillas de bloqueo que hay en la parte inferior del marco.



### 3. PROCEDIMIENTOS DE INSTALACIÓN

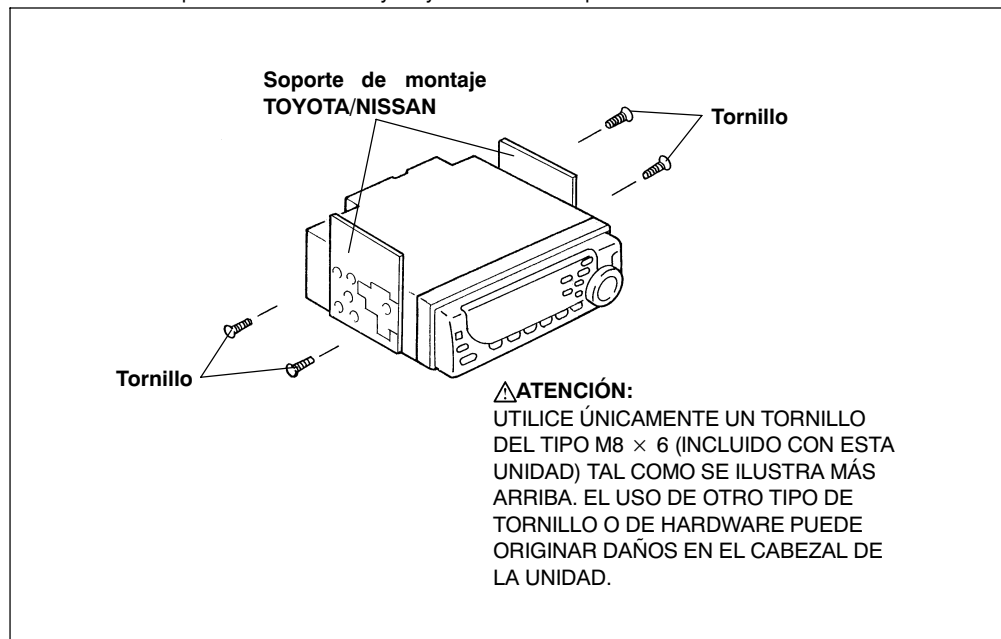
#### 1) Instalacion con el kit de montaje



- 1 Inserte el bastidor de montaje en la abertura DIN-estándar (182 x 53 mm) del tablero de instrumentos o de la consola.
- 2 Doble los topes del bastidor de montaje hacia afuera hasta que el bastidor quede encajado exactamente en la abertura.
  - Si se utiliza la banda posterior:
- 3 Coloque la unidad en el soporte de montaje hasta que quede perfectamente encajada.
- 4 Introduzca el aparato de radio en el bastidor de montaje hasta que esté correctamente colocado y fijo.
  - Si se utiliza el tornillo de montaje.
- 3 Monte el tornillo para montaje suministrado (M5) en el aparato de radio.
  - Cubra el tornillo para montaje con el manguito de goma suministrado.
- 4 Introduzca el aparato de radio en el bastidor de montaje hasta que esté correctamente colocado y fijo.

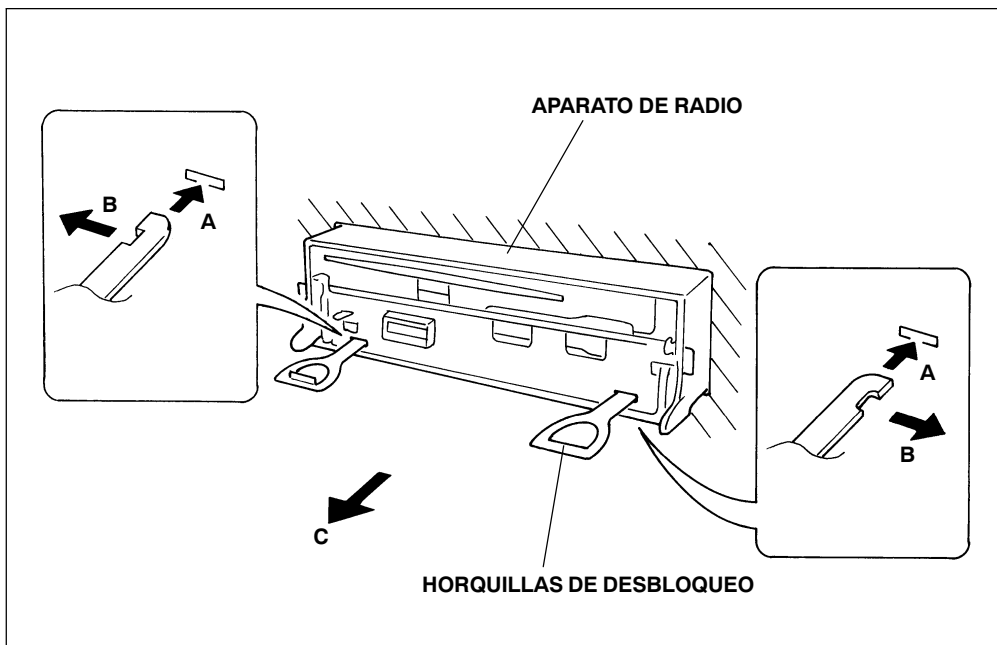
## 2) Instalación en vehículos TOYOTA/NISSAN

Instale la unidad utilizando los tornillos y los soportes de montaje TOYOTA/NISSAN existentes. Utilice los orificios de montaje del chasis de la unidad. Las letras "T" o "N" figuran inscritas junto a cada orificio. Utilice los orificios "T" para los vehículos Toyota y los orificios "N" para los vehículos Nissan.





# DESMONTAJE



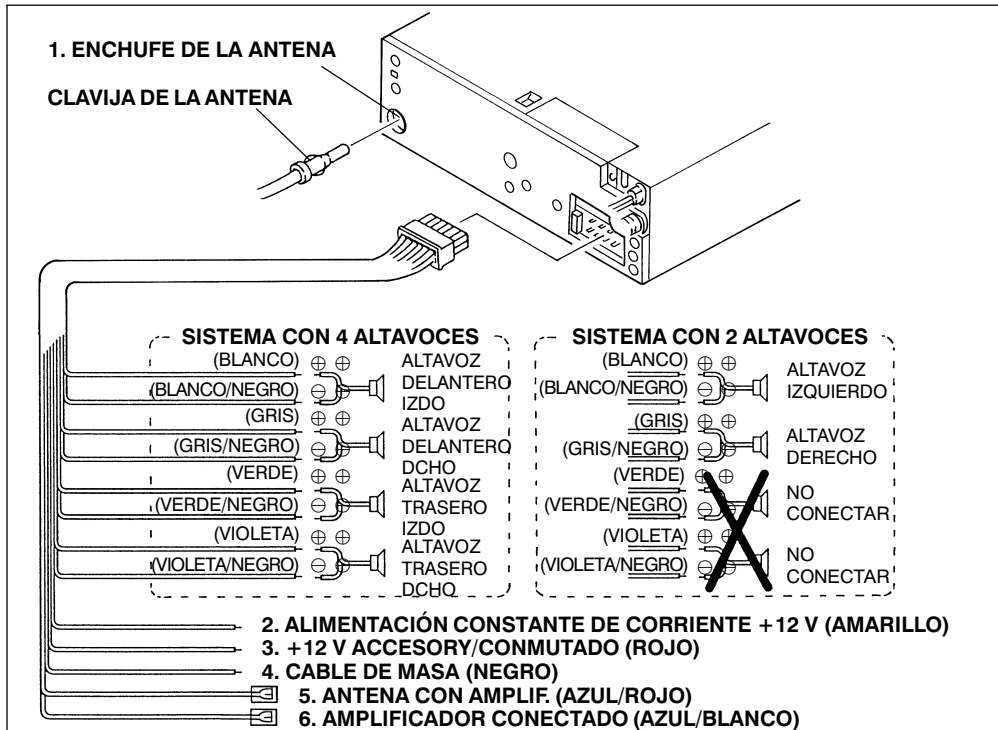
1. Cierre la puerta si está abierta.
2. Retire el panel delantero presionando la perilla de liberación.
3. Inserte las palancas de desbloqueo en las ranuras tal cual lo indicado en **A**.

## **Nota**

*El lado dentado de la llave debe quedar hacia afuera.*

4. Deslice ambas llaves hacia afuera tal cual lo indicado en **B** y tire para desmontar el aparato de audio tal cual lo indicado en **C**.

# CONEXIONES ELÉCTRICAS



## ⚠ ATENCIÓN

- NO CONECTE ningún cable de altavoces a la carrocería metálica o al chasis del vehículo.
- NO CONECTE los cables comunes (-) de altavoces entre sí.
- Conecte directamente cada uno de los cables de altavoces al borne de altavoces correspondiente.
- Todos los cables comunes (-) de altavoces deben tener una longitud holgada.

### 1 Enchufe de la antena

- Inserte la clavija de la antena instalada en su vehículo en este enchufe.

### 2 Alimentación constante de corriente +12 V (Amarillo)

- Conecte este cable al borne de alimentación de +12 V que recibe corriente continuamente.
- Conéctelo a una ubicación con amperaje de 10 A o más.

### 3 +12 V Accesory/Conmutado (Rojo)

- Conecte este cable al borne que reciba corriente mientras el interruptor de encendido está en ON o en la posición ACCESORY.
- Si el interruptor de encendido no tiene una posición ACC, conecte este cable a un borne de corriente de +12 V que reciba corriente continuamente. (Igual que el elemento 2).
- Conéctelo a una ubicación con amperaje de 100 mA o más.

### 4 Cable de masa (NEGRO)

- Conecte este cable al chasis del vehículo.

### 5 Antena eléctrica (rojo/azul)

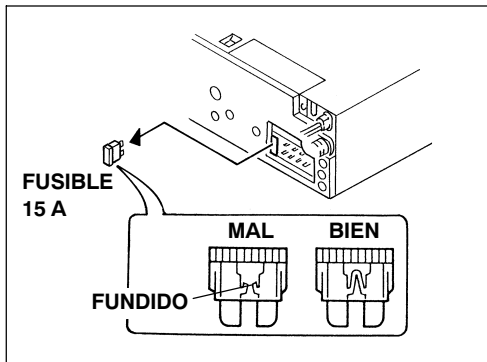
- Conecte este cable al terminal de control de una antena eléctrica.
- Si no utiliza una antena eléctrica, no necesita conectar este cable.

### 6 Activación del amplificador (azul/blanco)

- Conecte este cable a un amplificador externo.
- Si no utiliza un amplificador externo, no necesita conectar este cable.

### Notas

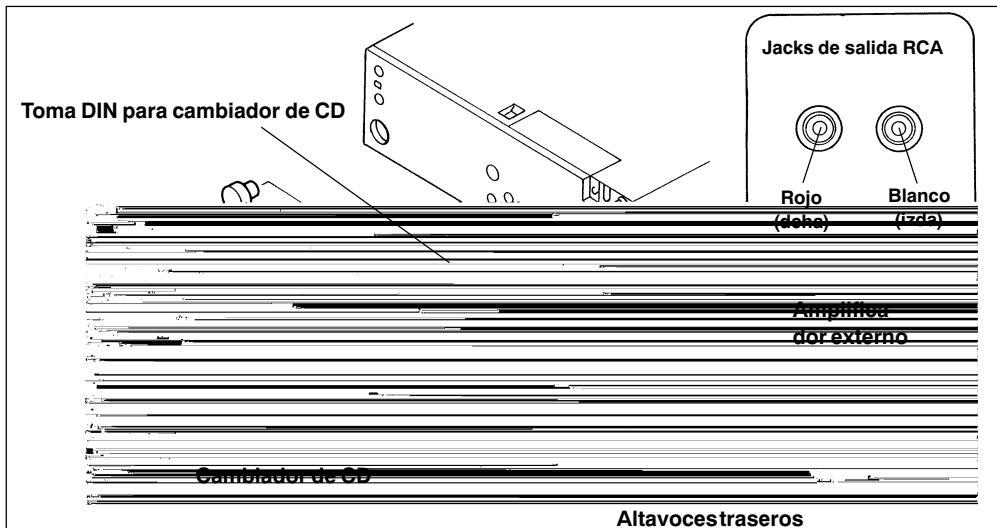
- Si se trata de una instalación de 2 altavoces no se usarán los cables verde, verde/negro, violeta ni violeta/negro (éstos sólo para instalación con 4 altavoces). Proteja las puntas de estos cables con cinta aislante para evitar un cortocircuito con el aparato o el chasis del vehículo.



- Cuando se esté utilizando una instalación con 2 altavoces deberá ajustarse el control FADER (regulación de volumen) en la posición central.
- Si es necesario cambiar un fusible utilice alicates para extraer el fusible fundido, y coloque a continuación un fusible nuevo de 15 amperios.

## CONEXION DE SALIDAS DEL CAMBIADOR DE CD

- La unidad tiene un controlador incorporado de cambiador de CD y tiene terminales para salida de línea. Se puede usar un cambiador de CD compatible con el modelo de Sanyo y un amplificador de canal posterior separado para ampliar el sistema.



### Toma DIN para el cambiador de CD

- Conecte el cable DIN de 8 patillas, que se incluye con el AX-300, AX-500 y otro cambiador de CD compatible con el modelo de Sanyo al zócalo DIN que hay en la parte posterior del unidad.

### Jacks de salida RCA (para los altavoces traseros)

- Conecte un cable de conexión (no suministrado) desde los conectores de la línea de salida RCA Blanco (canal posterior izquierdo) y Rojo (canal posterior derecho) a los terminales de entrada de línea del amplificador externo.

# ESPECIFICACIONES

## SECCIÓN DEL SINTONIZADOR DE FM

Rango de frecuencias	87.5MHz ~ 107.9MHz
Sensibilidad útil	15dBf
Sensibilidad en modo silencioso a 50 dB	30dBf
Respuesta de frecuencia ( $\pm 3$ dB)	50Hz ~ 12.5kHz
Rechazo de I.F.	100dB
Rechazo de imagen	65dB
Relación señal/ruido	60dB
Selectividad	65dB
Separación de estéreo	27dB
Índice de captura	2dB
Impedancia de la antena	75 $\Omega$

## SECCIÓN DEL SINTONIZADOR DE AM

Rango de frecuencias	530kHz ~ 1710kHz
Sensibilidad útil (S/R 20 dB)	20 $\mu$ V
Rechazo de I.F.	80dB
Rechazo de imagen	75dB
Relación S/R	50dB
Impedancia de la antena	75 $\Omega$

## SECCIÓN DE LA CINTA

Movimiento lateral y fluctuación	0.1%
Relación S/R (normal)	52 dB
Relación S/R (con Dolby)	62 dB
Separación	50 dB
Respuesta de frecuencia	50 Hz - 15 kHz

## APARTADO DEL CD

Tamaño del disco	5 pulgadas
Canales	2 canales estereos
Frecuencia de muestreo	44.1kHz
Convertidor D/A	Doble, 1 bit
Lector	Láser semiconductor óptico de 3 haces
Filtro de salida	Activado
Respuesta de frecuencias	20Hz ~ 20kHz
Distorsión armónica total	0.03% (1 kHz)
Escala dinámica	85dB
Relación señal/ruido	90dB
Distorsión y trémolo	Por debajo de los límites medibles
Separación de canal (1 kHz)	85dB

**SECCIÓN DE AUDIO**

Especificaciones eléctricas RMS (3% THD) .....	20 W × 4 (14.4 V)
Especificaciones eléctricas RMS (10% THD) .....	24 W × 4 (14.4 V)
Salida de potencia máxima .....	45 W × 4CH (15.0 V)
Impedancia de carga .....	4Ω

**GENERAL**

Voltaje de funcionamiento .....	12 V (10.5 ~ 15.0 V)
Corriente máxima de funcionamiento .....	13 A

**INFORMACIÓN IMPORTANTE**

Dado que sus productos están sujetos a mejoras continuas, SANYO se reserva el derecho de modificar las especificaciones y los diseños de los productos sin previo aviso y sin incurrir por ello en ninguna obligación.

## Free Manuals Download Website

<http://myh66.com>

<http://usermanuals.us>

<http://www.somanuals.com>

<http://www.4manuals.cc>

<http://www.manual-lib.com>

<http://www.404manual.com>

<http://www.luxmanual.com>

<http://aubethermostatmanual.com>

Golf course search by state

<http://golfingnear.com>

Email search by domain

<http://emailbydomain.com>

Auto manuals search

<http://auto.somanuals.com>

TV manuals search

<http://tv.somanuals.com>