



Public Displays

Caution: Please consult the instruction manual to ensure safe and proper operation of the product.

Distributed by:



SANYO Electric Co., Ltd.
Digital System company

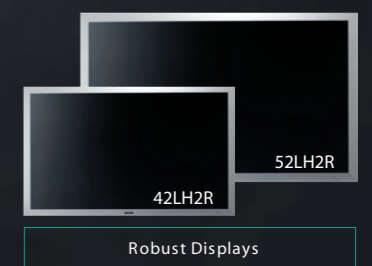
© 2010 SANYO Printed in Japan 2010.4 SI.
Technical specifications are subject to change without notice. As of 04/2010

Download from www.Somanuals.com All Manuals Search And Download.

Public Displays

Sharp, Clear Images Virtually Anywhere – Indoors And Out. The Ultimate Levels of Durability and Image Detail.

SANYO believes that the most important requirement for a public display is that it provides the highest possible image quality in all environments. That's why SANYO offers a full lineup of high-resolution, large-screen LCD displays , including models that feature excellent visibility and meet stringent international standards for waterproof and dustproof performance. These versatile SANYO Public Displays open the door to a whole new era of digital signage.

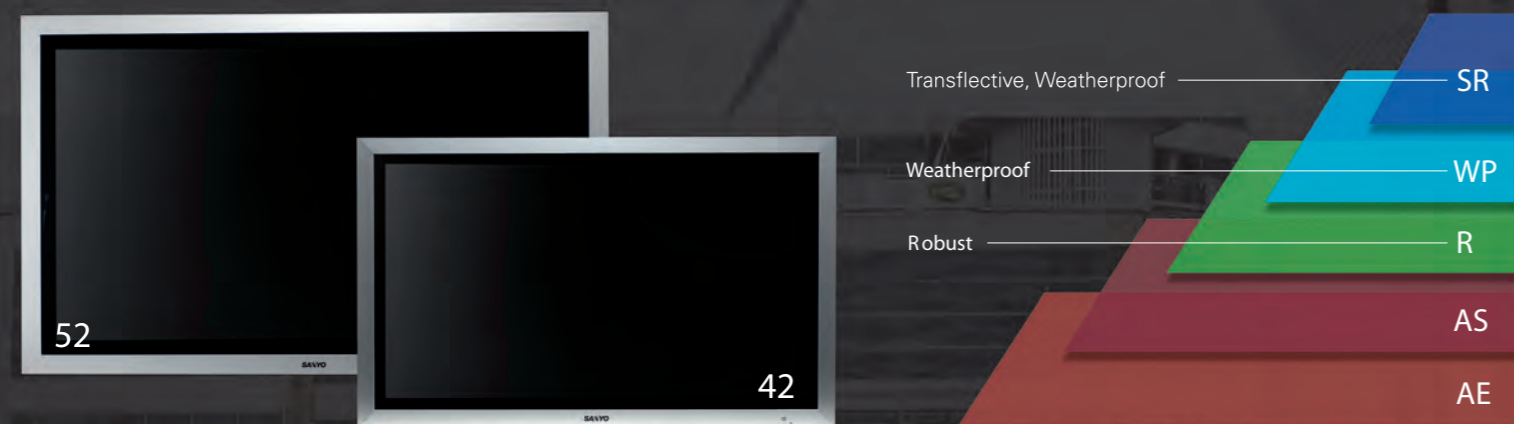


SANYO



Easy Installation, Excellent Visibility and Rugged Durability Even in Harsh Outdoor Environments.

SANYO's unique aluminum cabinet structure ensures its superb heat radiation performance with no vents. It enables safe use in outdoor locations that are subject to dust and other foreign matter and it allows easier, more flexible installation.



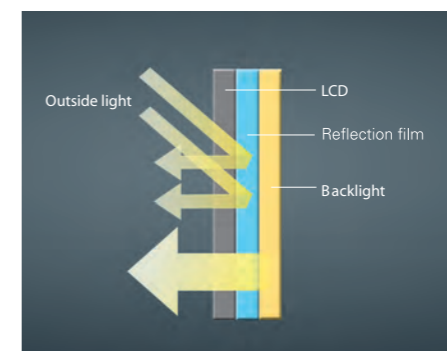
SR Transflective, Weatherproof Displays CE52SR3 / CE42SR4

A weatherproof cabinet and transflective LCD panel for daylight readability in bright places.

Daylight Readability

These models feature a transflective LCD panel for rich contrast displays even in bright surroundings. By using both outside light and a backlight, the transflective LCD panel increases the display's brightness. Compared to the kind of brightness that is achieved by simply increasing the luminous intensity of the backlight, this panel lowers power consumption and minimizes any rise in internal temperature.

Warning: Do not place the LCD display in direct sunlight. The product cannot be guaranteed for use under direct sunlight.



Dustproof, Waterproof Protection

With a rating of IP66, these models offer superb dustproof and waterproof performance, allowing them to be installed and operated in outdoor locations, where the panel is subject to rain, or in harsh environments that include metal and dust particles.

"IP" stands for ingress protection, an international standard that specifies the degrees of protection against contact and foreign objects indicated by first digit and against water indicated by second digit.
Protection against dust particles – IP6X
Dust-tight – No ingress of dust of 75 µm diameter
Protection against water – IPX6
Protected against powerful water jets from any direction

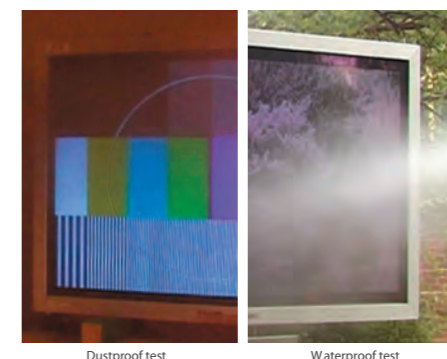
WP Weatherproof Displays CE52LH2WP / CE42LH2WP

An IP66 dustproof and waterproof rating for durability in harsh weather such as heavy rain and dust storms.

Dustproof, Waterproof Protection

With a rating of IP66, these models offer superb dustproof and waterproof performance, allowing them to be installed and operated in outdoor locations, where the panel is subject to rain, or in harsh environments that include metal and dust particles.

"IP" stands for ingress protection, an international standard that specifies the degrees of protection against contact and foreign objects indicated by first digit and against water indicated by second digit.
Protection against dust particles – IP6X
Dust-tight – No ingress of dust of 75 µm diameter
Protection against water – IPX6
Protected against powerful water jets from any direction



Versatile Input Terminals

A variety of input terminals are provided for the connection of various external devices. They allow the display of diverse visual contents, such as High Definition video and PC images.

Note: See page 9 for details.

R Robust Displays CE52LH2R / CE42LH2R

A robust cabinet for safe use in harsh indoor environments, like inside factories and restaurants.

Protective Acrylic Panel

The hard-coat acrylic panel on the front of the screen resists scratches and protects the LCD panel surface.

Robust Cabinet Design

The corrosion-resistant aluminum cabinet structure and the protective acrylic panel on the LCD screen ensure high robustness. The cabinet with no vents reduces the possibility of dust and other particles entering the cabinet.



Installation Examples

SANYO Public Displays at Work in Various Situations and Applications

At the entrance of a department store

The display can be installed as digital signage indoors or out, and ensures high visibility.



On a golf course

The display shows course maps and facility guidance. Its dust and sand resistance allows outdoor installation.



In a factory

The display helps control production lines. Its dust and particle resistance allows it to withstand severe factory environments.





High Performance and Convenience for Digital Signage and Presentation Use.

Displays can be installed in a variety of styles to match the situation and display content. SANYO's transfective LCD and lightweight plastic cabinet meet all kinds of needs and applications.



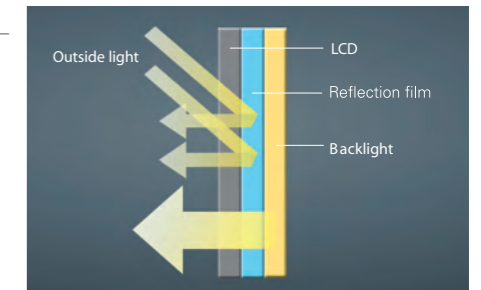
AS Transfective Display PID-42AS1

A transfective LCD panel for daylight readability in bright places.

Daylight Readability

This model features a transfective LCD panel for rich contrast displays even in bright surroundings. By using both outside light and a backlight, the transfective LCD panel increases the display's brightness. Compared to the kind of brightness that is achieved by simply increasing the luminous intensity of the backlight, this panel lowers power consumption and minimizes any rise in internal temperature.

Warning: Do not place the LCD display in direct sunlight. The product cannot be guaranteed for use under direct sunlight.



AE Standard Display PID-42AE1

A standard display with superior, beautiful full-HD images.

Features Common to Both AS and AE Models

Full-HD LCD Panel

The full-HD LCD panel has about twice as many pixels as a conventional WXGA panel. It reproduces both still and motion images with superb detail.



Portrait or Landscape Installation

The display can be used in either portrait or landscape orientation to match the installation conditions and the images to be displayed.

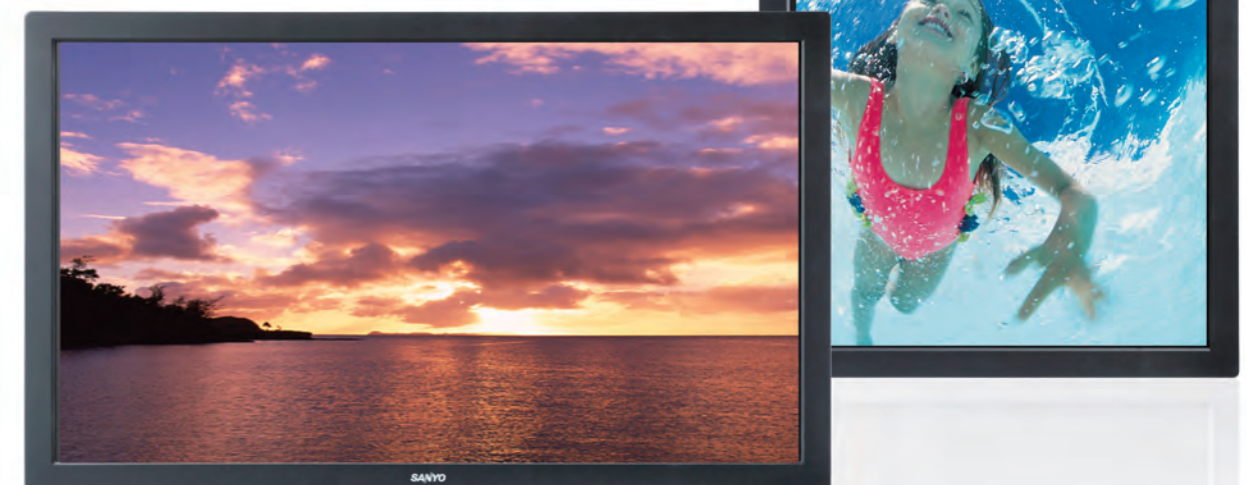
Slim, Light weight Design

The cabinet is made of plastic to reduce both thickness (about 10 cm) and weight (about 19 kg). This also makes installation easier.

Versatile Input Terminals

A variety of input terminals are provided for the connection of various external devices. They allow the display of diverse visual contents, such as High definition video and PC images.

Note: See page 9 for details.

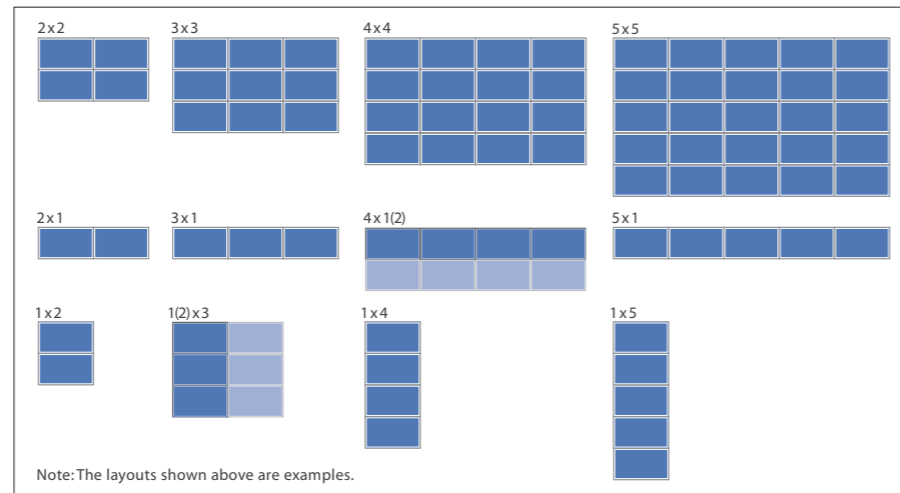


Diverse Functions and Interfaces Provide a Wide Range of Digital Signage Solutions.

Display Functions

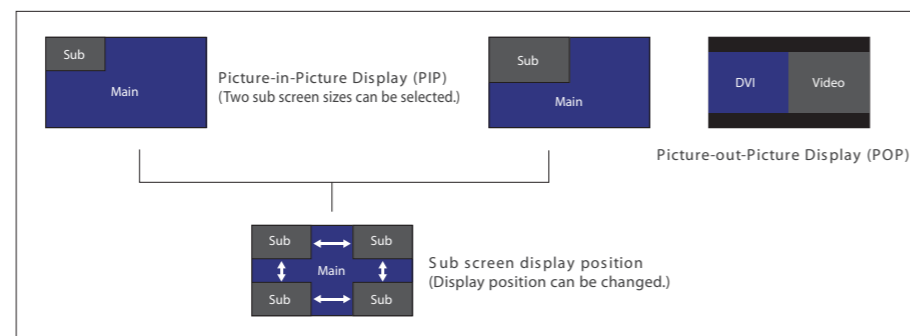
Video Wall

Large-size images, graphics and text can be displayed on multiple Public Displays. Large images displayed on a wall draw more attention to enhance the digital signage effect.



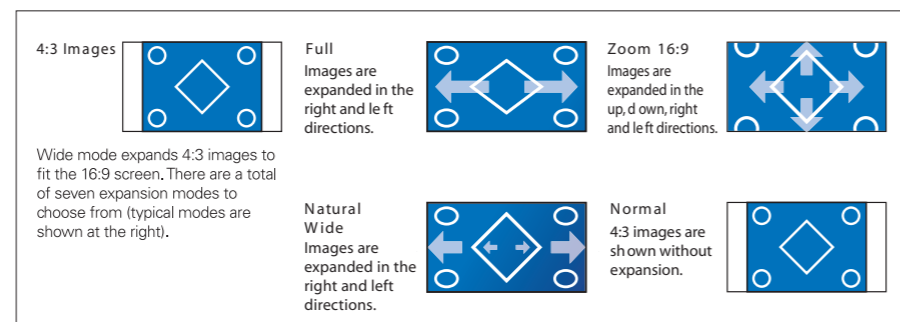
PIP/POP

Two different videos or images can be displayed simultaneously on a single display. One image can be displayed in a small sub screen while another image is shown on the full screen (PIP), or two images of the same size can be arranged side-by-side (POP).



Wide Mode

This function expands a 4:3 aspect ratio image to fit the wide 16:9 aspect ratio screen while preserving the natural appearance of the image. This lets you continue to use your existing 4:3 aspect ratio image data.



Multi-Color Systems

NTSC, PAL and SECAM color systems are supported to let you display image sources from around the world.

Picture Adjustments

Picture Mode

The image can be set to Personal, Dynamic, Standard or Eco mode according to the video source.

White Tone

The color tone of the image can be finely tuned to achieve optimum color reproduction.

Active Contrast and Color

Contrast and color are automatically adjusted to the most suitable levels according to the displayed scene.

Structure

Cabinet design with no vents

A fin-shaped structure radiates heat effectively and does not require the intake of outside air. This prevents dust from entering the cabinet.

Protective Tempered Glass

Protective Acrylic Panel

Dew Condensation Prevention

The gap between the tempered glass and LCD surface is filled with a clear resin. This eliminates the air layer and prevents dew condensation.

Other Functions

RS-232C Control

Displays can be controlled by an RS-232C interface. ID numbers can also be set for each display.

Timer

The timer function lets you select the input source and program the power On/Off.

LED Light On/Off Setting

Button Lock Setting

Energy-Saving Functions

PC Power Save

This function detects a no-PC-signal condition and automatically turns off the power. When a PC signal is received, it automatically turns the display back on.

Auto Power Off with No AV Signal

When there is no video & audio signal input for 10 minutes, this function automatically turns off the power.

Installation/Setup

Handles for carrying

Handles for carrying are provided on the rear side of the display for easy setup.



Theft-Prevention Ring

A theft-prevention ring is provided on the rear side of the display to protect against theft.



Portrait Setting

The display can be used in portrait orientation.

VESA Compatibility

The display is compatible with the VESA flat-panel display mounting standard.



Major Features

	Display Performance				Display Functions				Picture Adjustments		Energy-Saving Functions			Structure				Other Functions			Installation / Setup									
	Outdoor Use	Robust Design	Dustproof	Waterproof	Transflective LCD	Daylight Readability	Full-HD LCD Panel	Video Wall	PIP / POP	Wide Mode	Multi-Color Systems	Picture Mode	White Tone	Active Contrast and Color	PC Power Save	Auto Power Off with No AV Signal	Cabinet design with no vents	Protective Tempered Glass	Protective Acrylic Panel	Dew Condensation Prevention	RS-232C Control	Timer	LED Light On/Off	Button Lock	Handles for carrying	Theft-Prevention Ring	Portrait Setting	VESA Compatibility		
CE52SR3																														
CE42SR4																														
CE52LH2WP																														
CE42LH2WP																														
CE52LH2R																														
CE42LH2R																														
PID-42 AS1																														
PID-42AE1																														

Specifications

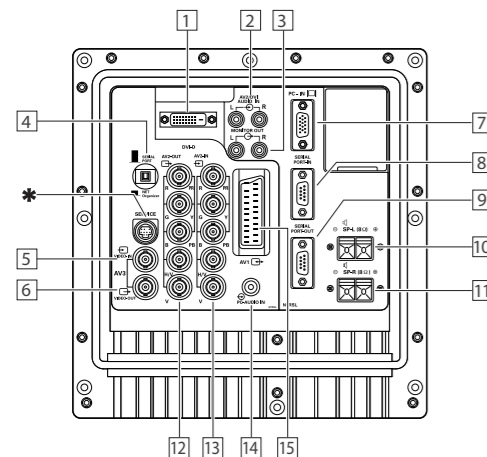
	Transflective Weatherproof Display	Weatherproof Display	Robust Display
Model	CE52SR3	CE52LH2WP	CE52LH2R
Screen size	52" (132.2 cm)		
IP rating	IP66		
Panel	Liquid crystal display panel		
Active screen area	115.2 cm x 64.8 cm / 45.4" x 25.5"		
Resolution in pixels	1,920 x 1,080 (effective pixels: 99.99%)		
Brightness	1,500 cd/m ² or more (bright surrounding), 900 cd/m ² (dark room)	700 cd/m ²	
Contrast ratio	2000:1		
Viewing angle (vertical/horizontal)	176 / 176		
Response time (gray to gray)	8 ms		
Color systems	NTSC/PAL/SECAM		
Power consumption	360 W, standby: 0.8 W		
Dimensions (W x H x D)	130.4 cm x 80.0 cm x 22.8 cm / 51.3" x 31.5" x 9.0"		
Weight	83 Kg / 182.8 lbs		
Terminals	[Input Terminals] AV1: SCART (Video/Audio/RGB), AV2: Component: Y,Pb,Pr/RGBHV (BNC x 5), Audio L-R (RCA x 2), AV3: Video (BNC x 1), PC: RGB (D-sub 15-pin), Audio (stereo mini ø3.5), DVI-D: DVI-D (with HDCP), Audio L-R (RCA x 2, shared with AV2), RS-232C: Serial (D-sub 9-pin) [Output Terminals] AV2: Component: Y,Pb,Pr/RGBHV (BNC x 5), AV3: Video (BNC x 1), RS-232C: Serial (D-sub 9-pin), Audio monitor output: Audio L-R (RCA x 2) External speaker output : 8 W + 8 W (8)		
Power supply voltage	AC 100V - 240V, 50/60 Hz		
Operating temperature	0 to 40 C / 32 to 104 F (-20 to 40 C / -4 to 104 F with Winter mode)		
Supplied accessories	Remote control, AA-type batteries (x 2), instruction manual, AC power cord		

	Transflective Weatherproof Display	Weatherproof Display	Robust Display
Model	CE42SR4	CE42LH2WP	CE42LH2R
Screen size	42" (106.7 cm)		
IP rating	IP66		
Panel	Liquid crystal display panel		
Active screen area	93.0 cm x 52.3 cm / 36.6" x 20.6"		
Resolution in pixels	1,920 x 1,080 (effective pixels: 99.99%)		
Brightness	1,000 cd/m ² or more (bright surrounding), 700 cd/m ² (dark room)	500 cd/m ²	
Contrast ratio	1000:1		
Viewing angle (vertical/horizontal)	178 / 178		
Response time (gray to gray)	9 ms		
Color systems	NTSC/PAL/SECAM		
Power consumption	210 W, standby: 0.8 W		
Dimensions (W x H x D)	102.7 cm x 62.0 cm x 17.9 cm / 40.4" x 24.4" x 7.0"		
Weight	39 Kg / 85.9 lbs		
Terminals	[Input Terminals] AV1: SCART (Video/Audio/RGB), AV2: Component: Y,Pb,Pr/RGBHV (BNC x 5), Audio L-R (RCA x 2), AV3: Video (BNC x 1), PC: RGB (D-sub 15-pin), Audio (stereo mini ø3.5), DVI-D: DVI-D (with HDCP), Audio L-R (RCA x 2, shared with AV2), RS-232C: Serial (D-sub 9-pin) [Output Terminals] AV2: Component: Y,Pb,Pr/RGBHV (BNC x 5), AV3: Video (BNC x 1), RS-232C: Serial (D-sub 9-pin), Audio monitor output: Audio L-R (RCA x 2) External speaker output : 6 W + 6 W (8)		
Power supply voltage	AC 100V - 240V, 50/60 Hz		
Operating temperature	0 to 40 C / 32 to 104 F (-20 to 40 C / -4 to 104 F with Winter mode)		
Supplied accessories	Remote control, AA-type batteries (x 2), instruction manual, AC power cord		

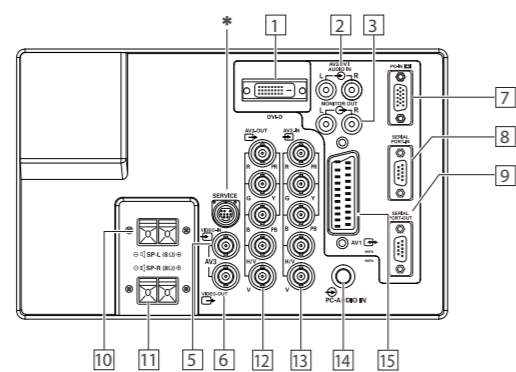
	Transflective Display	Standard Display
Model	PID-42AS1	PID-42AE1
Screen size	42" (106.7 cm)	
IP rating	-	
Panel	Liquid crystal display panel	
Active screen area	93.0 cm x 52.3 cm / 36.6" x 20.6"	
Resolution in pixels	1,920 x 1,080 (effective pixels: 99.99%)	
Brightness	1,000 cd/m ² or more (bright surrounding), 700 cd/m ² (dark room)	500 cd/m ²
Contrast ratio	1000:1	
Viewing angle (vertical/horizontal)	178 / 178	
Response time (gray to gray)	9 ms	
Color systems	NTSC/PAL/SECAM	
Power consumption	210 W, standby: 0.8 W	
Dimensions (W x H x D)	101.0 cm x 60.3 cm x 10.0 cm / 39.8" x 23.7" x 3.9"	
Weight	18.9 Kg / 41.6 lbs	18.4 Kg / 40.5 lbs
Terminals	[Input Terminals] AV1: SCART (Video/Audio/RGB), AV2: Component: Y,Pb,Pr/RGBHV (BNC x 5), Audio L-R (RCA x 2), AV3: Video (BNC x 1), PC: RGB (D-sub 15-pin), Audio (stereo mini ø3.5), DVI-D: DVI-D (with HDCP), Audio L-R (RCA x 2, shared with AV2), RS-232C: Serial (D-sub 9-pin) [Output Terminals] AV2: Component: Y,Pb,Pr/RGBHV (BNC x 5), AV3: Video (BNC x 1), RS-232C: Serial (D-sub 9-pin), Audio monitor output: Audio L-R (RCA x 2) External speaker output : 6 W + 6 W (8)	
Power supply voltage	AC 100V - 240V, 50/60 Hz	
Operating temperature	0 to 40 C / 32 to 104 F	
Supplied accessories	Remote control, AA-type batteries (x 2), instruction manual, AC power cord	

Note: Do not place the LCD display in direct sunlight.

Terminals



Terminals for the CE52SR3/42SR4/52LH2WP/42LH2WP/52LH2R/42LH2R

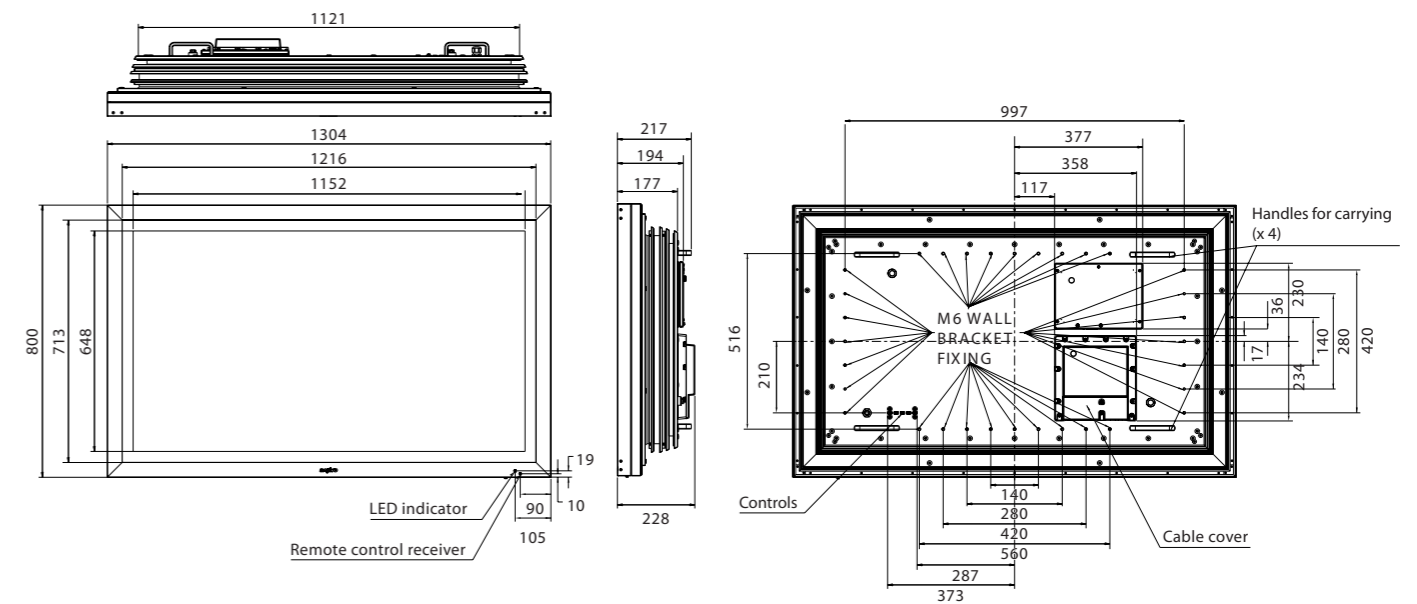


Terminals for the PID-42AS1/42AE1

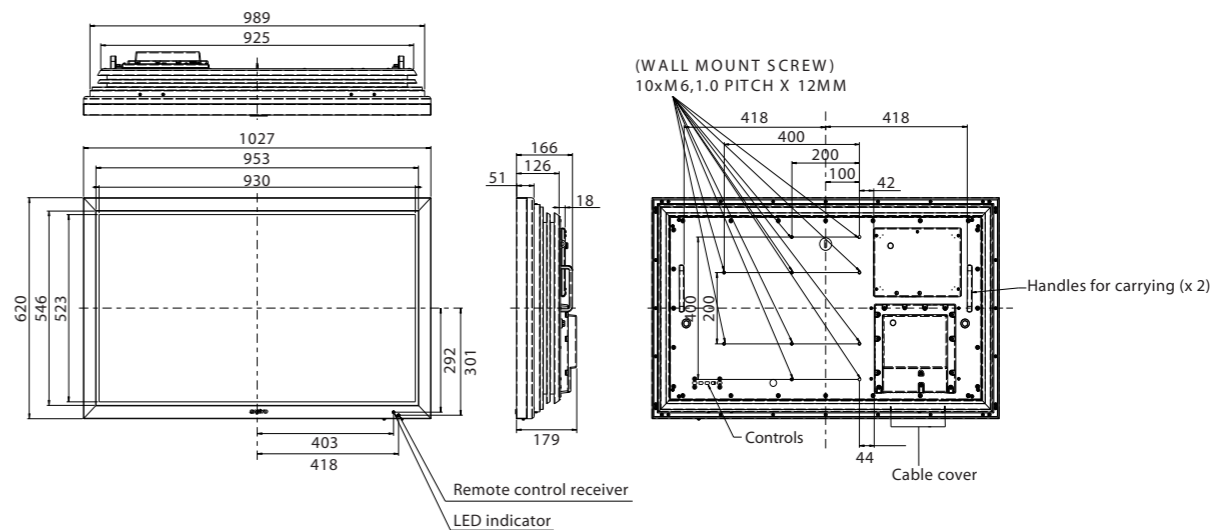
- 1 DVI-D Input
- 2 AV2/DVI-D AUDIO IN
- 3 Audio MONITOR OUT
- 4 Control Switch
- 5 AV3 VIDEO IN
- 6 AV3 VIDEO OUT
- 7 PC IN
- 8 SERIAL PORT IN
- 9 SERIAL PORT OUT
- 10 SPEAKER-L OUT
- 11 SPEAKER-R OUT
- 12 AV2 OUT
- 13 AV2 IN
- 14 PC AUDIO IN
- 15 AV1 SCART
- * SERVICE PORT

Dimensions (unit: mm)

CE52SR3/CE52LH2WP/CE52LH2R

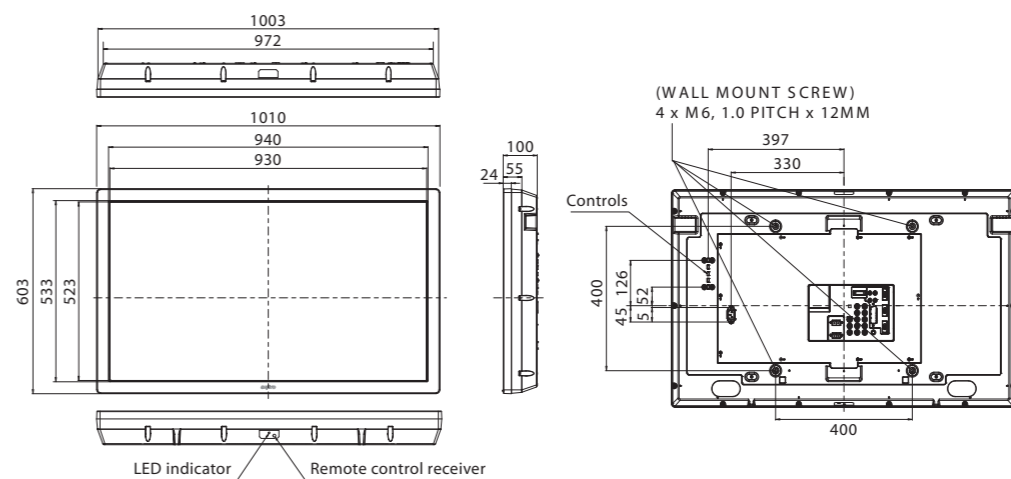


CE42SR4/CE42LH2WP/CE42LH2R



The CE42LH2R does not have handles.

PID-42AS1/42AE1



Free Manuals Download Website

<http://myh66.com>

<http://usermanuals.us>

<http://www.somanuals.com>

<http://www.4manuals.cc>

<http://www.manual-lib.com>

<http://www.404manual.com>

<http://www.luxmanual.com>

<http://aubethermostatmanual.com>

Golf course search by state

<http://golfingnear.com>

Email search by domain

<http://emailbydomain.com>

Auto manuals search

<http://auto.somanuals.com>

TV manuals search

<http://tv.somanuals.com>