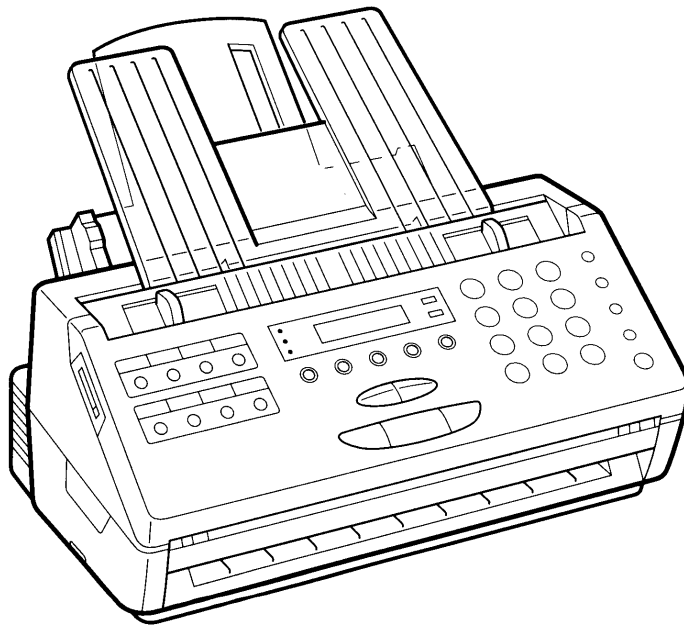




INSTRUCTION MANUAL

SFX-P500

Multi Functional Facsimile with Color Ink-jet Printer



Warning

1. This apparatus is suitable for connection to the following:
 - Direct Exchange Lines (DEL's) to the British Telecom (BT) or Hull Public Switched Telephone Network (PSTN) which require signalling in either loop disconnect (LD) or multi-frequency (MF) tones.
 - Any compatible Private Branch Exchange (PBX) accepting signalling in either loop disconnect (LD) or multi-frequency (MF) tones. A definition of a relevant branch exchange can be found in BS6789 Sect 6.1 Clause 2.4.Provision is made for the connection of a telephone instrument via the apparatus, which is connected when the apparatus is not in use. This apparatus is NOT suitable for connection to the following:
 - Shared service (party lines)
 - 1 + 1 Carrier Systems
 - As an extension to a payphone
2. The supplier of the apparatus should be consulted for an up to date list of PBX's with which the apparatus is compatible. If the appropriate PBX extension wiring is not already installed, it must be installed by BT, or where the extension wiring is not owned by BT, by the authorized maintainer of the PBX, unless the authorised maintainer has been given 14 days written notice that extension wiring and/or sockets are to be installed by another person. It cannot be guaranteed that this apparatus will operate correctly under all possible conditions of connection to compatible PBX's. Any cases of difficulty should be referred in the first instance to the apparatus supplier. The compatible PBX may or may not be a type which provides secondary proceed indication.
3. This apparatus has been approved for the use of the following facilities:
 - Storage of Telephone Numbers for retrieval by predetermined code
 - Automatic Call Initiation
 - Operation in the absence of Proceed Indication
 - Automatic Dialing Facilities
 - Automatic Answering Facilities
 - Automatic Storage of Last Number Dialed
 - Repeat Attempt Facilities
 - Loud Speaking Facilities
 - Conversation on hold Facilities
 - Series Connection
 - Auto Clear from the call originating end
 - ModemAny other usage will invalidate the approval of the apparatus if as a result it then ceases to comply with the standards against which approval was granted.
4. One touch and speed dial numbers stored in the memory should be checked after initial programming or after a loss of power.
5. This apparatus may only be connected to lines not listed in telephone directories issued by public network operators when used in the auto answer mode, and that the telephone number should not be made public unless accompanied by suitable instructions concerning incoming calls, i.e. listed as a facsimile number.

6. Customer Guide to REN

The ringer equivalence number (REN) is a measure of apparatus performance when used with other equipment connected to the same telephone line.

The sum of the individual REN's for all equipment to be connected to a single line should not exceed the maximum REN allowed, namely 4.

The REN of this apparatus is 2.

Consequently only one telephone for which the REN is 1, may be connected to the same line as this apparatus. A BT provide telephone instrument may be assumed to have a REN of 1, unless otherwise marked.

7. The voltage drop introduced by the apparatus between the PSTN and the associated telephone at a current of 40 mA d.c. is 350 mV.
8. Notice should be taken that caller are accustomed to calls being answered normally within about 10s, and that the majority abandon calls that are not answered in 45s.
9. This facsimile equipment is series apparatus and only one such apparatus is allowed to be connected between the PSTN and the main apparatus. The main apparatus may be an approved telephone or telephone answering machine or a combination of the two.

Customer Notification

Before connecting this equipment to a British Telecom line, the lower portion of this form should be sent to your local Telephone Area Sales Office. (See Telephone Directory)



I/We request the installation of socket (New Style)

Customer Name

Address

.....

.....

Post Code

Telephone Number

APPROVED CERTIFICATE NO. 607313

Special Installation Instructions

Customers Signature Data



time,

Table of contents

Getting Started		Phone use with extension phone	
Precautions	1	Phone calls	55
Unpacking	2	Holding conversation	56
Part names and functions	3	Redial	56
Accessories	3	Connecting an extension telephone	57
Operation panel	5		
Telephone line and AC connections	7	Copy	
Setting the dialing mode	8	Single copy	58
Installing the Ink cartridge	9	Multiple copy	58
Installing accessories	11	Reduction copy	59
Loading the recording paper	12		
Power save mode	14	Parallel printer interface use	
		Setting up	60
Setting up machine		Connecting the SFX-P500 to your computer	60
Entering names	15	Changing Fax use to Printer use	61
Storing frequently used fax numbers		Facsimile operation during printer use	61
under One-touch dials and Speed dials	17	Paper handling	62
Issuing the One-touch dial and Speed dial list	20	Manually feeding thick paper or transparencies	62
Issuing an activity report	21	Using the operation panel	63
Setting calendar and clock	22	Feeding paper	63
Setting T.T.I (your station name, ID number		Using the printer with your software	63
and fax number)	23	Printer driver	63
		When an error occurs	64
		Printer specifications	65
Transmission			
Original documents	25	RS-232C interface use	
Resolution and Contrast/Halftone	26	Connecting to a computer	67
Placing original documents	26	Application software	67
Transmission page set	27	Setting the mode	68
Manual dialing transmission	28	Setting the command to the computer	69
Automatic dialing transmission	29	Confirming the application software works	71
Timer transmission	30	Using as a PC fax modem	72
Broadcasting transmission	33	Using as a PC scanner	73
Polling transmission	35	Using as a PC printer	74
Overseas transmission	37	Memory reception transfer function	75
Redial	38		
ECM (Error Correction Mode)	39	Appendix	
Fax transfer function	40	Setting feature switches	76
Programming the fax transfer	40	Feature switch list	78
Automatic fax transfer	41	Selective reception	81
Manual fax transfer	41	Diagnostic codes appearing on report	83
Reception		Maintenance	
Reception modes	42	Jammed original	84
Ink footprint	43	Jammed recording paper	85
Ink save mode	43	Cleaning	86
Auto reception	44		
Manual reception	46	Troubleshooting	
Answer reception	47	Fax portion	89
Remote reception	48	Printer portion	91
Polling reception	49	Paper loading problems	91
Timer polling reception	50	Print quality problems	91
Memory reception	53		
Reduction reception	54	Specifications	
		Specifications	93
		Optional accessories	93

Getting Started

Setting up Machine

Transmission

Reception

Phone use

Copy

Parallel printer interface use

RS-232C interface use

Appendix

Maintenance

Trouble-shooting

Precautions

Placement precautions

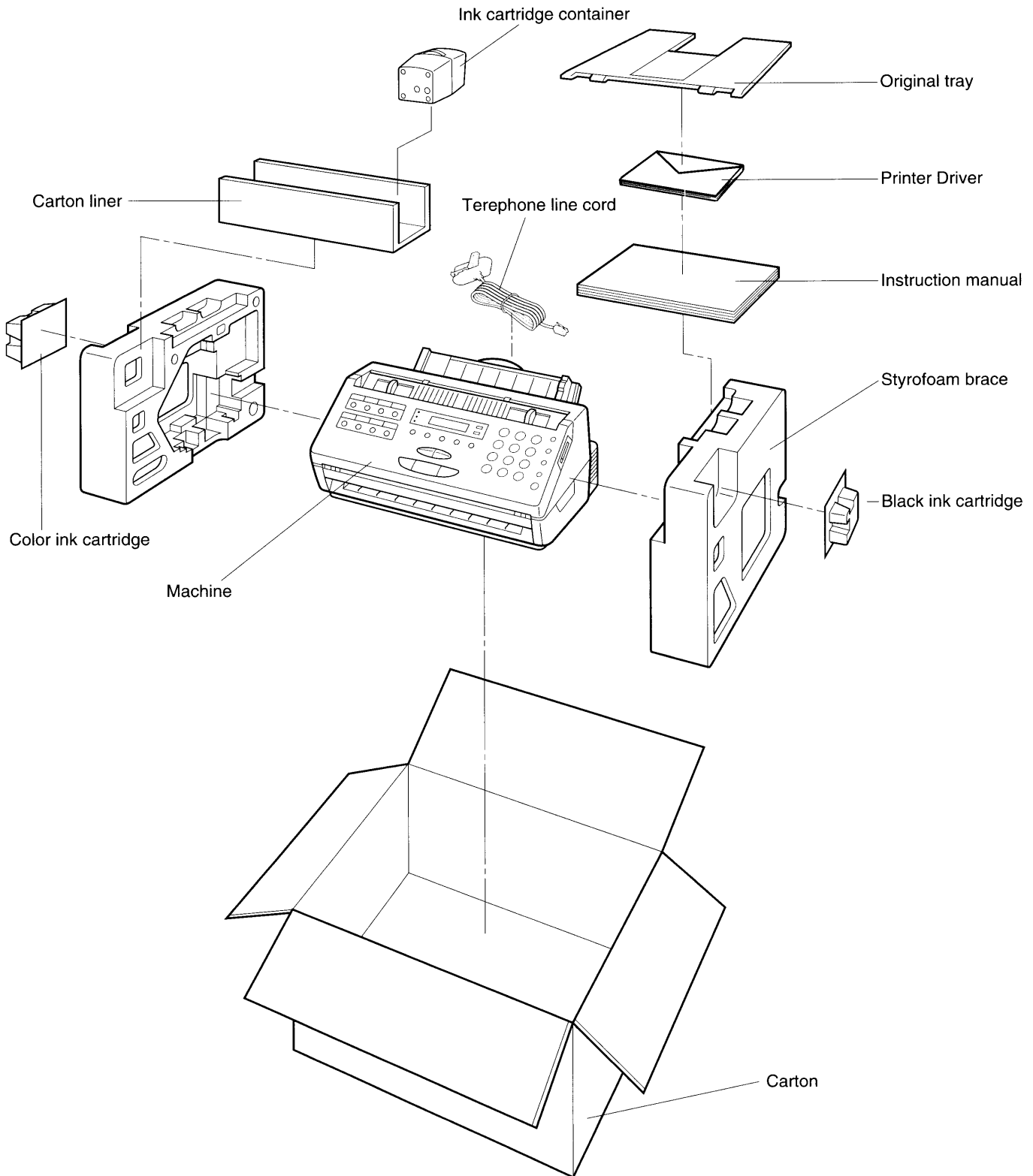
- Avoid placing the SFX-P500 in humid or dusty places, or in places where it will be exposed to excessive heat (direct sunlight, heaters, etc.).
- Do not step on or set anything on the AC cord. **DAMAGE TO THE AC CORD IS A SAFETY RISK AND CAN CAUSE A FIRE.**
- Install the unit only on a stable and smooth surface.
- Do not connect the SFX-P500 to the same AC outlet as appliances that generate large amounts of interference (heaters with thermostats, appliances with motors, etc.). It is best to use a completely separate electrical outlet.
- Keep the SFX-P500 away from water. If water accidentally enters the unit, unplug the AC power cord immediately. **DO NOT PLUG THE UNIT IN AGAIN.** Contact an authorized Sanyo service center or dealer.

Handling precautions

- Avoid bending, kinking or damaging the power cord.
- Never insert or remove the power cord with wet hands. Also, be sure to hold the cord by the plug when removing it from the outlet.
- Do not remove any parts that are held in place with screws. (The SFX-P500 does not contain any user-serviceable items.)
- Maintain standard room temperature 5°C-35°C(41°F-95°F) during use. Do not subject the unit to shock or vibration. Do not move the unit while it is in use.
- A rapid increase in room temperature in cool weather can cause condensation to form inside the unit. If this happens, wait at least 15 minutes after turning the unit on before attempting to operate it.
Failure to do so may result in paper jams and/or poor print quality.
- When cleaning the cover or operation panel of the unit, wipe gently using a damp cloth to which a small amount of a neutral detergent has been added. **NEVER USE SOLVENTS OR CHEMICALLY TREATED CLOTHS.**
- Do not place any objects in front of the recording paper exit, it may cause a paper jam or malfunction of the ink sensor.

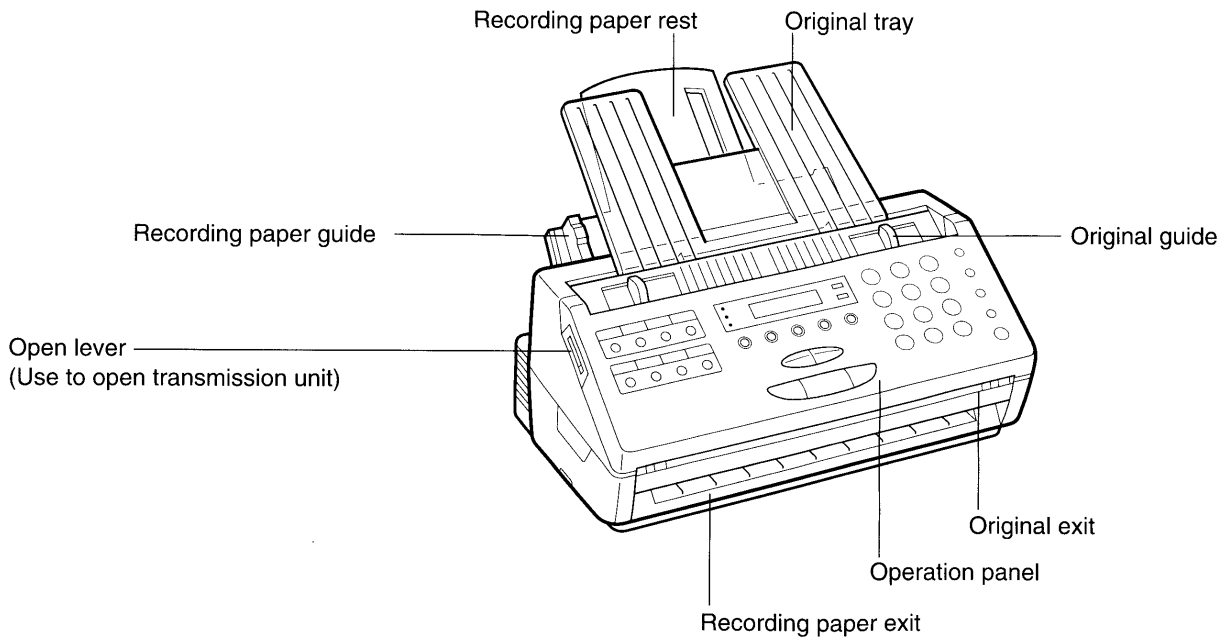
Unpacking

Unpacking the carton referring to the illustration shown below.
Inspect the machine and accessories for any shipping damage.

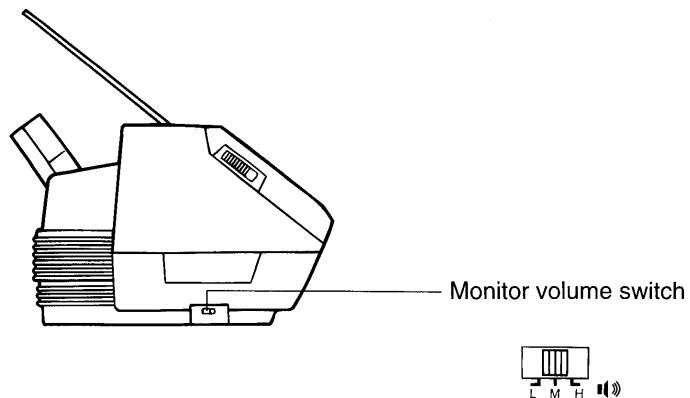


Part names and functions

Front view



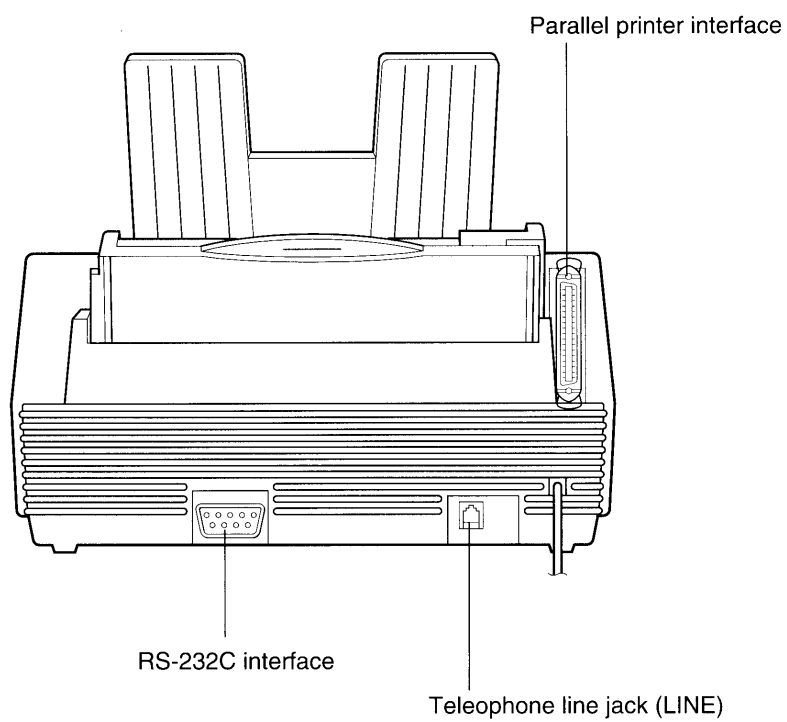
Left side



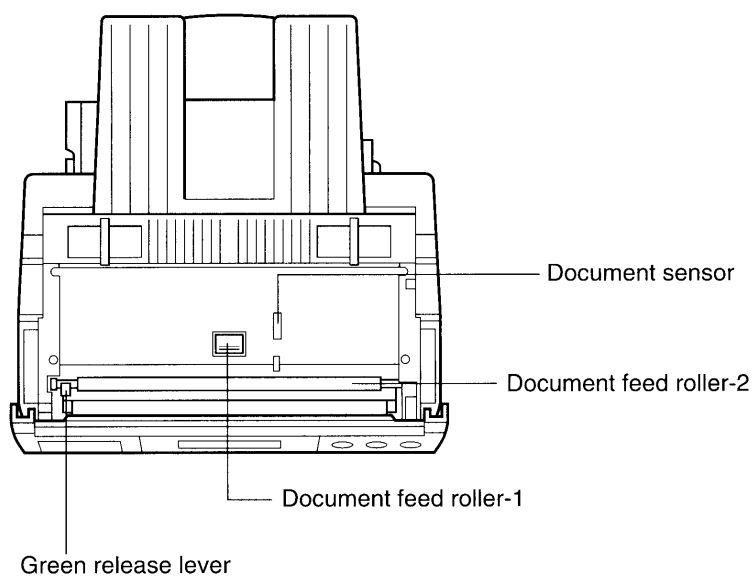
Accessories

- Black ink cartridge x 1
- Original tray x 1
- Instruction manual x 1
- Color ink cartridge x 1
- Printer driver x 1
- PC Fax software x 1
- Ink cartridge container x 1
- Telephone Line cord x 1

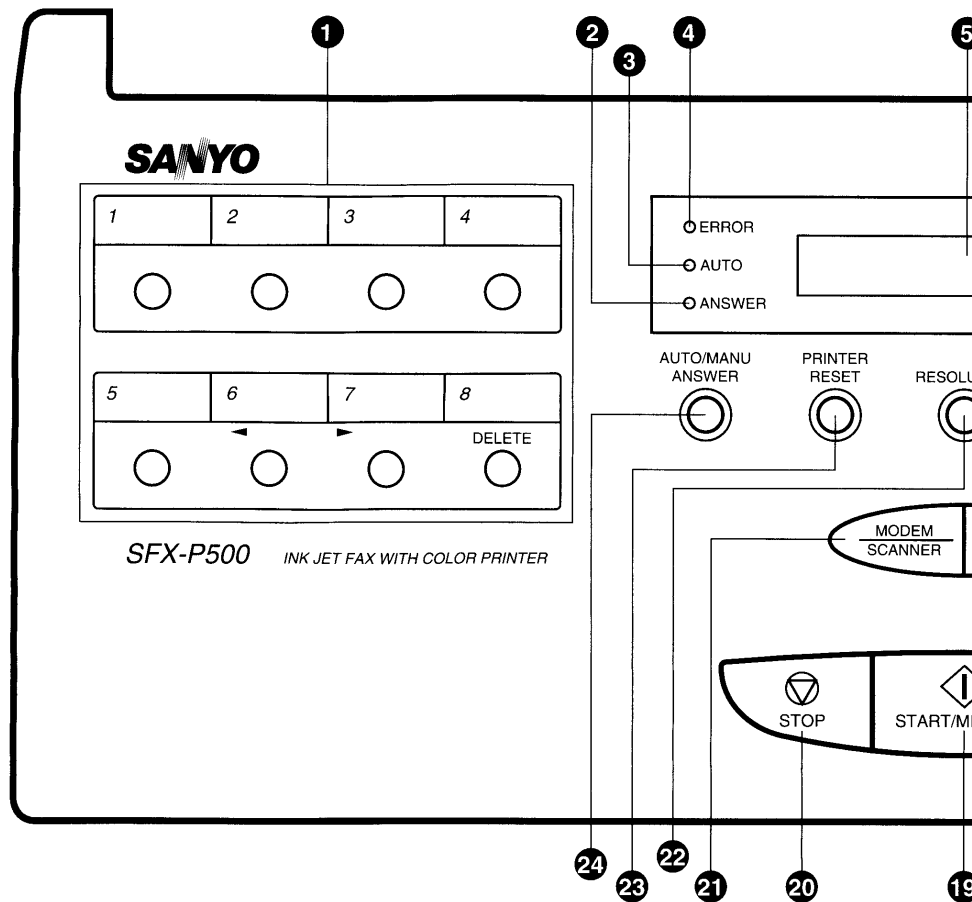
Rear view



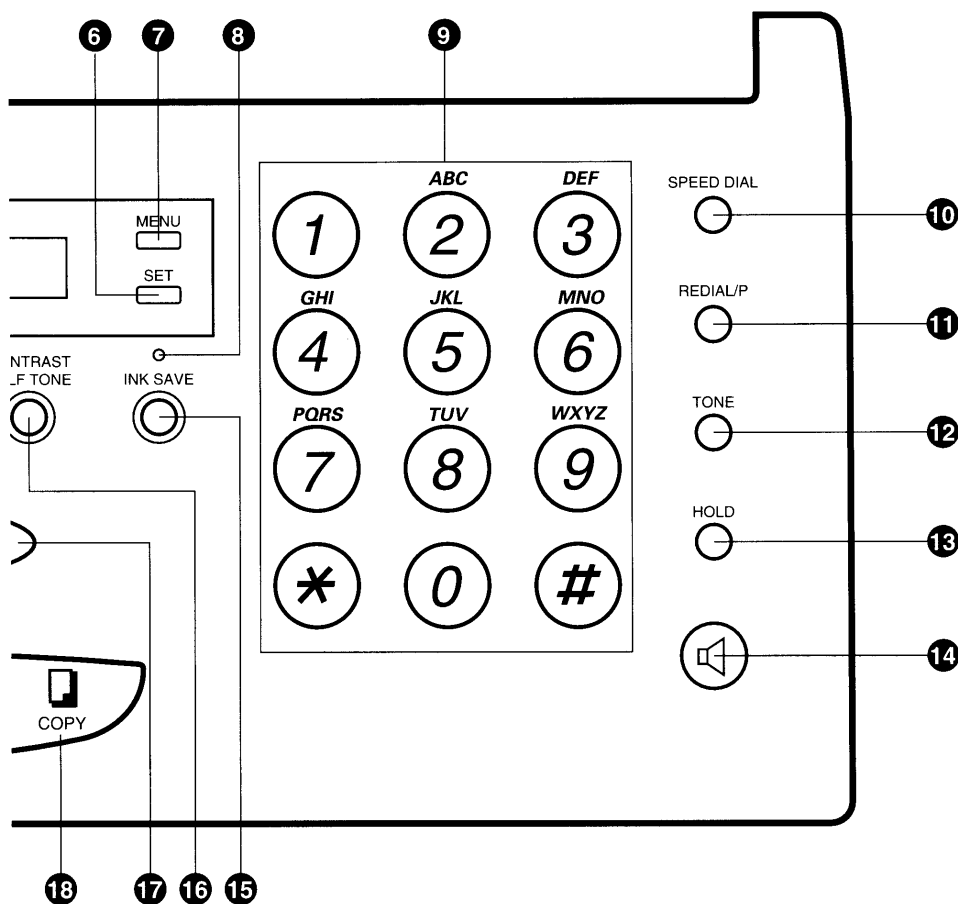
Inner view



Operation panel



1. One-touch keys	• Frequently dialed numbers can be stored in memory using 8 keys.
2. ANSWER lamp	• Lights when the unit is set to ANSWER reception mode. (TAS should be connected)
3. AUTO lamp	• Lights when the unit is set to AUTO reception mode.
4. ERROR lamp	• Flashes if a communication error occurs.
5. LCD Display (16x1 line)	• Shows calendar, clock, operation instructions.
6. SET key	• Press this key to confirm selections.
7. MENU key	• Press to initiate setting of various functions.
8. INK SAVE lamp	• When this lamp is lit, ink usage is reduced and printing is light.
9. Number Keys 0-9, #, *	• These keys are used to dial fax numbers and phone numbers, to make various settings and to change various functions.
10. SPEED DIAL key	• Press this key when using speed dial.
11. REDIAL/P key	• Press this key to redial the last number dialed. • Press this key to insert a pause between two digits in a number being dialed.
12. TONE key	• Press this key to temporarily switch from pulse dialing to Touch-Tone dialing.
13. HOLD key	• Temporarily places a call on hold.



14. (SPEAKER) key	<ul style="list-style-type: none"> Allows you to monitor a call without using the handset.
15. INK SAVE key	<ul style="list-style-type: none"> Press this key to set the ink-save ON or OFF. (When it is set to ON, the INK SAVE lamp is lit.) When ink-save key is set to OFF, the ink consumption is ordinary printing. This key is effective only for Fax and Copy use.
16. CONTRAST/HALF TONE key	<ul style="list-style-type: none"> Press this key to select contrast/halftone settings.
17. FAX/PRINTER key	<ul style="list-style-type: none"> Press this key to select the FAX or PRINTER mode.
18. COPY key	<ul style="list-style-type: none"> Press to make a copy and to issue the list/report.
19. START/MEMORY key	<ul style="list-style-type: none"> Press to start transmission or manual reception. Press to store the document into memory for broadcasting operation.
20. STOP key	<ul style="list-style-type: none"> Press to interrupt transmission/reception/copying or to turn off ERROR lamp. Press to cancel various setting and dialing functions and to remove an original document that has been inserted in the unit.
21. MODEM/SCANNER key	<ul style="list-style-type: none"> Press this key to select the MODEM/SCANNER mode.
22. RESOLUTION key	<ul style="list-style-type: none"> Press this key to select resolution settings.
23. PRINTER RESET key	<ul style="list-style-type: none"> Press this key to clear the error message. Press this key to form feed of the recording paper in PRINTER mode.
24. AUTO/MANU/ANSWER key	<ul style="list-style-type: none"> Press to select reception mode.

Telephone line and AC connections

Connecting to telephone line

For line connection the LJU connector may be plugged into a suitable socket.

Connection of Associated Apparatus.

An associated telephone/apparatus should be connected only via the socket on the break in adaptor fitted.

Series connection of this apparatus will introduced a voltage drop of 0.35V at 40mA. This apparatus should not be used in conjunction with other series connected apparatus such that the aggregate declared voltage drops of all this apparatus, together with the voltage drop introduced at 40mA by any separate wiring that is used to link items of apparatus, exceeds 2V.

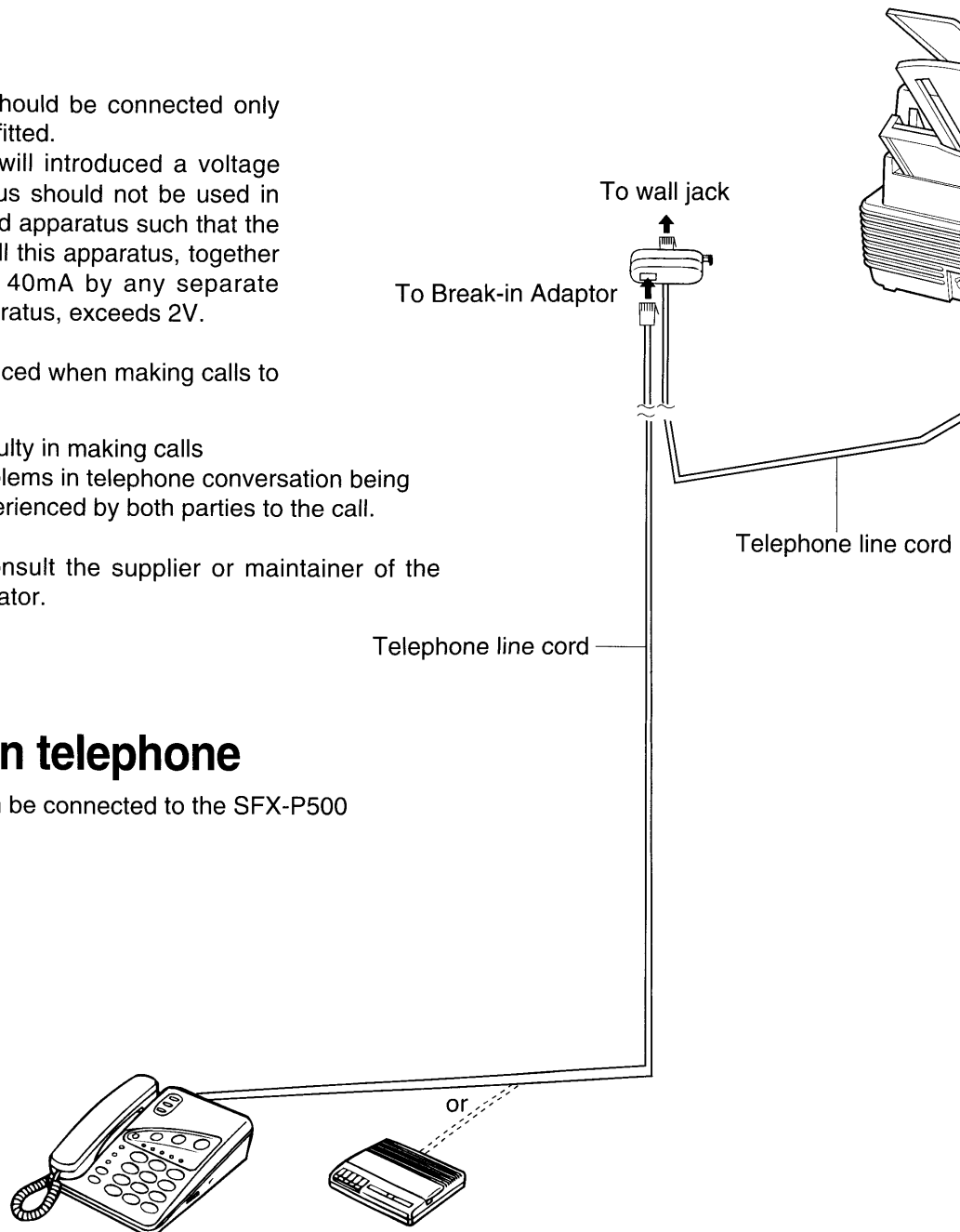
Difficulty may occasionally be experienced when making calls to the PSTN via the series apparatus.

such difficulty may include.....difficulty in making calls
.....problems in telephone conversation being experienced by both parties to the call.

Should difficulties be experienced consult the supplier or maintainer of the series apparatus, not the network operator.

Connecting extension telephone

A telephone or answering machine can be connected to the SFX-P500 through the Break-in Adaptor.



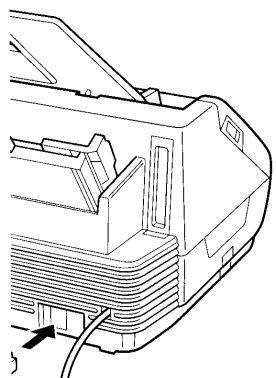
Caution:

- Never install telephone wiring during a lightning storm.
- Never install telephone jacks in wet locations unless the jack is specifically designed for wet locations.
- Never touch uninsulated telephone wires or terminals unless the telephone line has been disconnected at the network interface.
- Use caution when installing or modifying telephone lines.
- Avoid using a telephone (other than a cordless type) during an electrical storm.
There may be a remote risk of electric shock from lightning.
- Do not use the telephone to report a gas leak in the vicinity of the leak.

Setting the dialing mode

Set the dialing method to the correct position for your telephone line using feature switch No. 00 (see pages 76-78.). The switch is initially factory-set to the 01 (PULSE-10PPS).

*If you are not sure which dialing system your telephone is using, contact your telephone company.

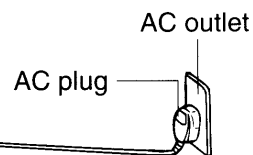


Connecting to AC

Notes:

- The AC outlet shall be installed near the equipment and shall be easily accessible.
- For disconnecting the equipment from the supply, please take the AC plug out of the AC outlet.

Connect to AC plug into AC outlet.

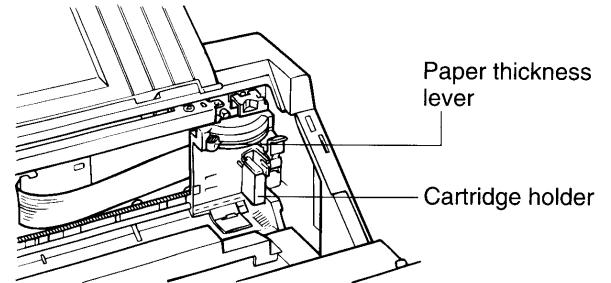


Installing the Ink Cartridge

This section describes how to install a ink cartridge. Follow this procedure to install either a black cartridge FXP-C02 or a color cartridge FXP-C05.

Inside the unit

Cartridge holder
You install the ink cartridge on this yellow holder.



Paper thickness lever

Set this green lever according to the thickness of your paper. The setting you choose adjusts the distance between the print head and the paper. There are two settings: left for normal paper and right for thick paper. (After you remove the tape that protects this lever during shipping, slide the lever to the left for printing on normal paper.)

- Normal paper: less than 0.2 mm thickness, 64 to 90g/m² weight, for details refer to page 12 "Loading the recording paper".

Caution

You should use only the Black cartridge FXP-C02 or color cartridge FXP-C05 with your SFX-P500.

To avoid spilling ink, follow these precautions:

- Do not touch the print head on the ink cartridge or the sharp edges around it.
- Do not hold the ink cartridge, or place it on your table with the print head facing down except when you are installing the cartridge.
- Do not attempt to disassemble the cartridge.
- Do not tilt or shake the ink cartridge while handling it.

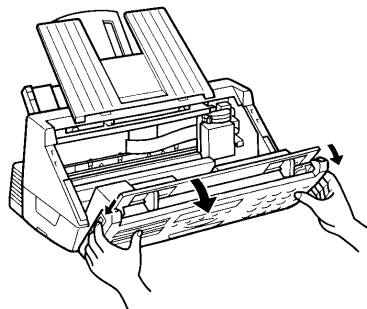
Caution

- Keep the ink cartridge out of children's reach.

To install the ink cartridge, follow these steps:

Follow this procedure to install or replace the ink cartridge.

1. Before you install or replace the ink cartridge, make sure the power is on.
2. Slide the open levers down (located on the sides of the transmission unit) and open it so you can access the cartridge holder.

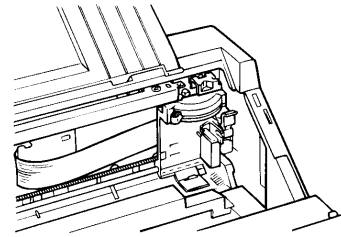


3. Lift the green lock lever on the cartridge holder.

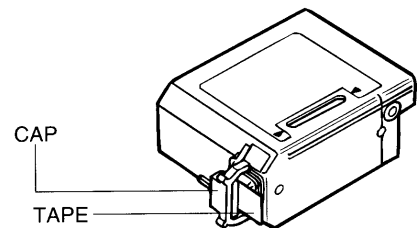
- If you are replacing a cartridge, pull the old cartridge out and abolish it.
- Open a new ink cartridge pack.

Caution

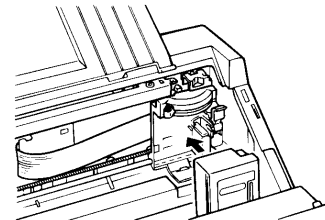
Avoid touching the yellow mounting base on which you place the cartridge - especially the circuit board on the side of the mounting base and the film cable that extends from the cartridge holder.



4. To remove the print head cap from the cartridge, carefully push on the right side of the cap and then remove the tape.



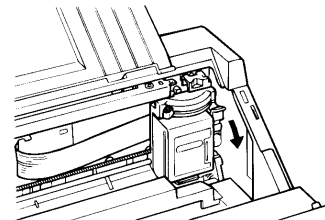
5. Locate the cartridge holder on the far right end of the printer.
6. Insert the cartridge into the machine so that the yellow plastic guide is visible through the cartridge slot.



7. Press the green lock lever down until it locks in place and aligns the cartridge.

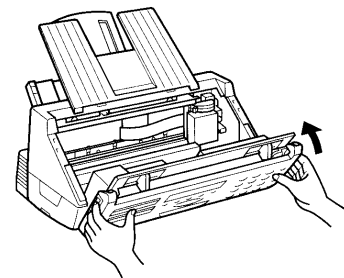
Cautions

- Release your hands from the green lock lever as soon as it locks. The cartridge holder may move automatically.
- Do not move the ink cartridge after installing it. Moving the ink cartridge to the left and leaving it there may uncap the print head and cause it to dry out.



8. Close the transmission unit.

If you unplug the SFX-P500 while it is printing, or if you move the ink cartridge from the home position, the cartridge will not be capped and it may dry out. To avoid drying out the ink cartridge, move it to the right (home position) by your hand.

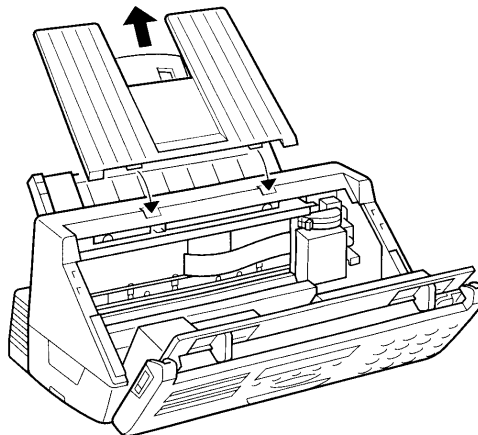
**Note:**

When color cartridge is installed, the display shows "COLOR CARTRIDGE!" in Fax mode. This is to pay your attention that the color cartridge is only required when you use the SFX-P500 as a color printer.

Installing accessories

Install the accessories according to the following procedure.

Original tray setting



1. Slide the open levers down (located on the sides of the transmission unit) and open it.
2. Insert both sides of the original tray into the grooves of the unit.

Loading the recording paper

The SFX-P500 produces letter-quality print on most plain bond papers, including cotton bond paper and photocopying paper. This unit does not require special ink-jet paper. Purchase a small amount of paper and test it to see if it meets your printing requirements.

NOTE:

Attempting to print on damp, curled, wrinkled, or torn paper can cause paper jams and poor print quality.

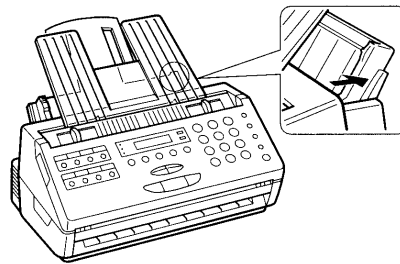
You can automatically feed single sheets of plain paper.

Size	A4/Letter/Legal size (210 x 297mm to 216 x 279mm/216 x 356mm)
Thickness	Less than 0.2mm
Weight	64 to 90g/m ²

You can stack up to 100 sheets of plain paper (20 lbs or 75 g/m²) in the sheet feeder.

When you are ready to load plain paper, follow these steps:

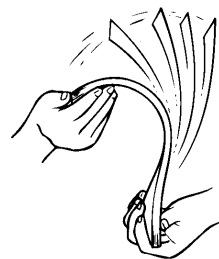
1. Make sure the paper selection lever is set to the back position.



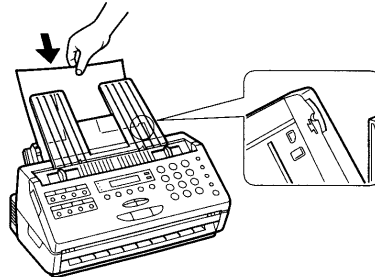
NOTE:

Use the paper selection lever only when manually feeding paper. If this lever is set to the front position when you are automatically feeding a stack of normal paper, the printer may feed multiple sheets or jam.

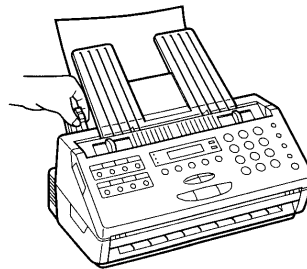
2. For best results, fan the paper before stacking it in the sheet feeder.



3. Align the stack of paper with the right edge of the sheet feeder, and slide in the stack until it stops. Do not force the paper down into the printer. Make sure the stack of paper does not exceed the paper limit mark on the right side of the sheet feeder.



4. Make sure you insert the paper so that the side you want to print on is facing you.
5. Adjust the paper guide to the width of the stacked paper.



- Initial factory setting of the recording paper size is "A4" (refer to page 79, switch No. 23). When you load "Letter" or "Legal" paper, change the setting of feature switch No. 23 accordingly (refer to pages 76-77 and 79).

Power save mode

The power save mode reduces the power consumption while the machine stays in stand-by. The power consumption of the power save mode is about 2.6W against the normal stand-by power is about 6W.

To enter the power save mode, the feature switch No. 13 is necessary to be set to ON position and the conditions listed below are also necessary.

(Default position of initial factory setting is ON. To set to OFF, refer to pages 76-78.)

- No pressing any keys
- No incoming calls
- No handset of extension phone lifting

When all above conditions continue 5 minutes in stand-by display (calendar & clock), the machine turns into power save mode.

Power save mode display

** POWER SAVE **

The power save mode is returned to normal stand-by mode as soon as pressing any keys, receiving incoming calls or lifting the handset of extension phone.

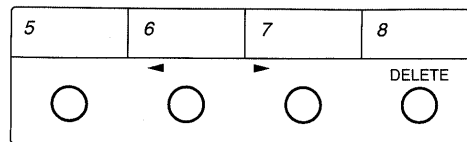
Entering names

Before programming the one-touch, speed dial memory and setting your station name, you need to know to enter names using number keys and one-touch keys.

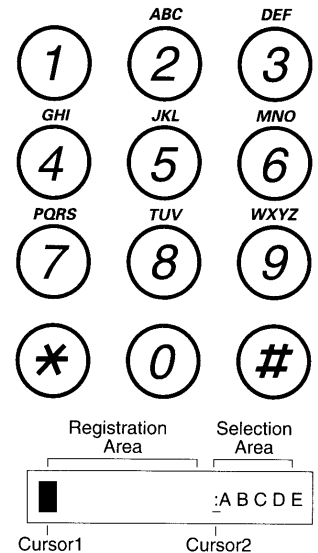
The one-touch keys **6**, **7** and **8** are used for name programming.

The characters are grouped as shown below:

Groups 1	Groups 2	Groups 3
ABCDE	abcde	12345
FGHIJ	ghij	67890
KLMNO	klmno	. , : ; •
PQRST	pqrst	+ - / & *
UVWXY	uvwxyz	# ' " ()
Z	z	< > ! ? =



SFX-P500 INK JET FAX WITH COLOR PRINTER



The LCD display is divided into 2 sections: The registration area (left) shows the name being entered, and in the selection area (right), a set of 5 characters appears as you scroll up or down the display. Each area has a separate cursor.

Selecting a character

1. Use number key **5** to select the desired character group.

The first line of the selected group appears each time the number key **5** is pressed.

2. Use number keys **2** or **8** to scroll up or down the display.
 3. Use number keys **4** or **6** to move the cursor 2 over the desired character.
 4. Press **[▶]** (**one-touch key 7**) to enter the selected character into registration area. The cursor 1 moves to the right.
 5. Repeat steps 1 - 4 to finish writing a name.
- To leave a blank space in the name, press number key **0**.

- To backspace the cursor 1, press (one-touch key 6).
- To advance the cursor 1 to the right, press (one-touch key 7).
- To erase a character, move the cursor 1 over the character to be erased, and then press **DELETE** (one-touch key 8).

Example: To enter SFX P500

1. To write S:

Press to scroll up the display and select "PQRST".

Press to move the cursor 2 over the "S".

Press to enter S.

The cursor 1 moves to the next position.

S ■ : PQRST

2. To write F:

Press to scroll down the display and select "FGHIJ".

The cursor 2 is already on the "F".

Press to enter F.

SF ■ : FGHIJ

3. To write X:

Press to scroll up the display and select "UVWXY".

Press to move the cursor 2 over the "X".

Press to enter X.

SFX ■ : UVWXY

4. To leave a space:

Press .

SFX ■ : UVWXY

5. To write P:

Press to scroll down the display and select "PQRST".

The cursor 2 is already on the "P".

Press to enter P.

SFX P ■ : PQRST

6. To write 5:

Press to call up the group 3.

SFX P ■ : 1 2 3 4 5

Press select 5, and press .

SFX P5 ■ : 1 2 3 4 5

7. To write 00.

Press to scroll up the display "67890".

Press select 0, and press .

Press select 0, and then press .

SFX P500 ■ : 6 7 8 9 0

- To make a correction, move the cursor 1 over the wrong letter and delete it, and then write the right letter.
- If the procedure is interrupted for more than one minute, the display returns to standby mode. To restart, begin from step 1.

Storing frequently used fax numbers under One-touch dials and Speed dials

Up to 48 telephone and/or fax numbers (and corresponding names) can be stored in the SFX-P500's memory. Each of the 8 one-touch dialing keys(1-8) can be used to store a fax number or a telephone number. An additional 40 numbers (fax or telephone) can be stored using the speed-dialing numbers (01-40).

One-touch dial memory programming

1. Press **MENU** twice.

2 : O. T & S. D SET ?

2. Press **SET**.

O. T No. = **1** ?

3. Press one-touch dialing key(1-8).

Example: To program a number in the one-touch key 2, press one-touch key 2.

If the number you want to program is displayed, leave out this step.

O. T No. = **2** ?

4. Press **SET**.

■ : ABCDE

5. Enter the party's name (to a maximum of 16 characters). See pages 15-16 for detailed instructions.

ABCDE ■ : ABCDE

6. Press **SET**.

■

7. Enter the fax (telephone) number to be stored. (A maximum of 32 digits can be entered including pauses and hyphens.)

1 2 3 4 5 6 ■

8. Press **SET**.

➔ A beep sounds.

To program other one-touch keys, repeat steps 3-8.

O. T No. = **3** ?

9. Press **STOP** once to finish one-touch number programming.

15 Jun.'97 12:00

- For instructions on printing out a numerical list of programmed names and numbers, see page 20.
- To interrupt programming, press **STOP** once.
- To enter a hyphens between two digits, press **SPEED DIAL**.
- To enter a 4-second pause between two digits of a number, press **REDIAL/P** in the appropriate place. A semicolon(;) indicates a pause.

Speed-dial memory programming

1. Press **MENU** twice.

2 : O. T & S. D SET ?

2. Press **SET**.

O. T No. = 1 ?

3. Enter a speed-dial number using the number keys.

Example: To store a fax number in the speed-dial number 10, press **1**, then **0**.

If the number you want to program is already displayed, leave out this step.

S. D No. = 10 ?

4. Press **SET**.

█ : ABCDE

5. Enter the party's name (to a maximum of 16 characters).
(See pages 15-16 for detailed instructions.)

ABCDE█ : ABCDE

6. Press **SET**.

█

7. Enter the fax (or telephone) number to be stored.

A maximum of 32 digits can be entered, including pauses and hyphens.

1 2 3 4 5 6 █

8. Press **SET**.

➡ A beep sounds.

• To program other speed dial numbers, repeat steps 3-8.

S. D No. = 11 ?

9. Press **STOP** once to finish speed-dial number programming.

15 Jun.'97 12:00

- For instructions on printing out a list of programmed names and numbers, see page 20.
- To interrupt programming, press **STOP** once.
- To enter a hyphen, press **SPEED DIAL**.
- To enter a 4-second pause between two digits of a number, press **REDIAL/P** in the appropriate place. A semicolon (;) indicates a pause.

Changing programmed one-touch/speed dialing numbers

1. Press **MENU** twice.
2. Press **SET**.
3. Press one-touch dialing key or speed dialing number of the number you want to change.
Example: Speed dial number 10

Example: Speed dial number 10

S. D No. = 10 ?

4. Press **SET**.

EDWARD : CHANGE

5. Press **SET**.

EDWARD : ABCDE

6. Press **DELETE** to erase the wrong name, and enter the new name.
(See "Entering names" on pages 15-16.)

SMITH : FGHIJ

7. Press **SET**.

1-222-3333

8. Press **DELETE** to erase the wrong number, and then enter the new number.

1-333-4444

9. Press **SET**.
→ A beep sounds.
Repeat steps 3-9 to change other one-touch dialing/speed dialing numbers.

10. Press **STOP** once to finish changing.

Canceling programmed one-touch/speed dialing numbers

1. Press **MENU** twice.
2. Press **SET**.
3. Press the one-touch dialing key or speed dialing number of the number you want to cancel.
Example: One-touch dialing number 2 to cancel.

Example: One-touch dial number 2

O. T No. = 2 ?

4. Press **SET**.

EDWARD : CHANGE

5. Press **MENU**.

EDWARD : CANCEL

6. Press **SET**.
→ A beep sounds.
Repeat steps 3-6 to cancel other one-touch dialing/speed dialing numbers.

** CANCELLED **

7. Press **STOP** once to finish canceling.

Issuing the One-touch dial and Speed dial list

You can print a list of the programmed one-touch dialing numbers and speed dialing numbers.

1. Press **MENU** twice.

2:O. T & S. D SET?

2. Press **COPY**.

O. T & S. D LIST

3. Press **STOP** to return to standby mode.

Sample of One-touch and Speed dial list

* * * ONETOUCH, SPEED DIAL LIST * * *			
15 Jun. '97 12:00		ABCDE	123456
ONETOUCH DIAL	No.	PARTY'S NAME	NUMBER
	1	DEALER A	123456
	2	DEALER B	456789
SPEED DIAL			
	01	DEALER C	112233
	02	DEALER D	445566

- When the display shows "CHECK PAPER !" during printing because the recording paper jams, the recording paper is not feeding, or there is no recording paper in the recording paper stacker, install or replace the recording paper or remove the jammed recording paper and press **PRINTER RESET** to print out the list.

Issuing an activity report

You can program the SFX-P500 to issue an activity report once everyday or after 20 transmissions/receptions have been performed. It can also be set to issue no activity report.

1. Press **MENU** 8 times.

8:SET MODE ?

2. Press **SET**.

1:TIME SET ?

3. Press **MENU** 3 times.

4:ACT. REPORT ?

4. Press **SET**.

ACT. REPORT ON

5. Press **MENU** to select ON or OFF.

- If you chose OFF, proceed to step 8.

Example: ON

ACT. REPORT OFF

6. Press **SET**.

PRINT TIME : ■

7. Enter the desired issue time using the number keys.

The time must be entered using 24-hour system.

Example: 16:00

PRINT TIME 16:00

8. Press **SET**.

➔ A beep sounds.

5:REFUSE LIST ?

9. Press **STOP** to return to stand-by mode.

- If you make a mistake when entering the issue time, press **DELETE** to clear the incorrect time, and then enter the correct time.
- If the issuing time is not entered at step 7, an activity report is printed, automatically when the number of activities (transmission and reception) reaches about 20.
- The initial factory setting is ON with no issue time set.
- If your activities have not been performed, an activity report is not issue at setting time.

Sample of activity report

* * * ACTIVITY REPORT * * *							
15 Jun. '97 12:01 ABCDE				123456			
				TRNS. TOTAL PAGE	000022		
				RECV. TOTAL PAGE	000014		
				PRINT TOTAL PAGE	000093		
TRNS.	No.	DATE	START	TIME	PARTNER	PAGE	RESULT
	1	15 Jun.	12:00	0'30	DEALER A	1	OK
	2	15 Jun.	12:01	0'30	DEALER B	1	OK
RECV.	No.	DATE	START	TIME	PARTNER	PAGE	RESULT
	1	15 Jun.	12:00	0'08	DEALER A	1	OK

Setting calendar and clock

To set the date and time:

1. Press **MENU** 8 times.

8 : SET MODE ?

2. Press **SET**.

1 : TIME SET ?

3. Press **SET**.

20 04. ' 97 12:00

4. Enter the day, month, year and time using the number keys.

- The time must be entered using the 24-hour system.

- The day, month and year should be entered in 2 digits each.

Example: to enter 15th June, 1997, 12:00, press **1**, **5**, **0**, **6**, **1**, **5**, **0**, **6**, **1**, **2**, **0** and **0**.

15 06. ' 97 12:00

5. Press **SET**.

➔ A beep sounds.

2 : STATION CODE ?

6. Press **STOP** to returns to stand-by mode.

15 Jun. ' 97 12:00

- Press **◀** or **▶** to move cursor to the appropriate position and enter the calendar and clock.

Setting T.T.I (your station name, ID number and fax number)

Once you have programmed your station name and fax number into the SFX-P500, this information is printed at the top of all faxes you send.

The SFX-P500 has been initially set to "0000" as ID number, the station name and fax number have not been programmed.

1. Press **MENU** 8 times.

8 : SET MODE ?

2. Press **SET**.

1 : TIME SET ?

3. Press **MENU** once.

2 : STATION CODE ?

4. Press **SET**.

ID No. ? 0000

5. Enter 4-digit ID number.

ID No. ? 1234

6. Press **SET**.

■ :ABCDE

7. Enter your station name.

A maximum of 24 characters can be entered.
(See pages 15-16 for detailed instructions.)

ABCDE■ :ABCDE

8. Press **SET**.

■

9. Enter your fax number.

Your fax number can be entered up to 20 digits in length.

123456■

10. Press **SET**.

➔ A beep sounds.

3 : FEATURE SW. ?

11. Press **STOP** to return to stand-by mode.

15 Jun. '97 12:00

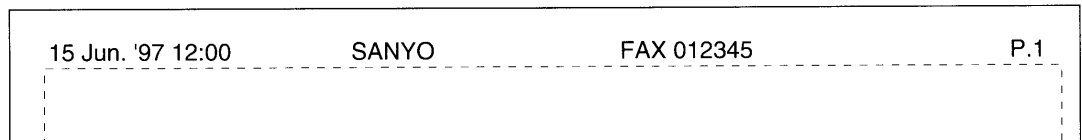
- To interrupt programming, press **STOP** twice.
- If you make a mistake in entering a fax number, press **◀** or **▶** to move cursor appropriate place and press **DELETE** key to delete the wrong number. And then enter the correct number.
- To enter a hyphen between two digits, press **SPEED DIAL** .
- To enter a plus sign (+) preceding your fax number, press **HOLD** .
- The header can be printed either outside the original document (in the margin) or inside the document itself. You can select the desired setting using feature switch No. 20 (See pages 76-77 and 79.)

Default setting is printing outside of the original.

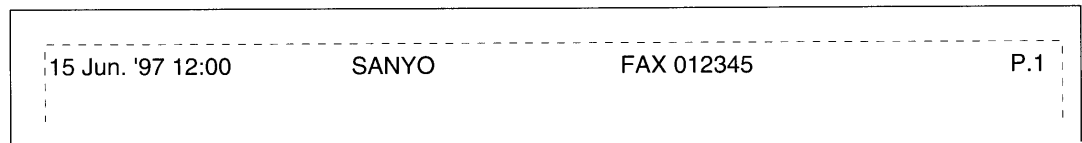
NOTE:

If you choose to print the header inside the document, the top of the original document (about 1 cm/0.4") may not be reproduced.

Printing outside of the original.



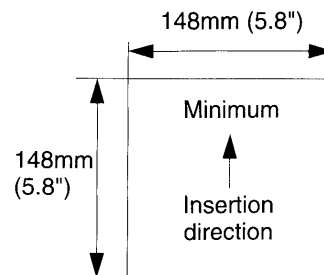
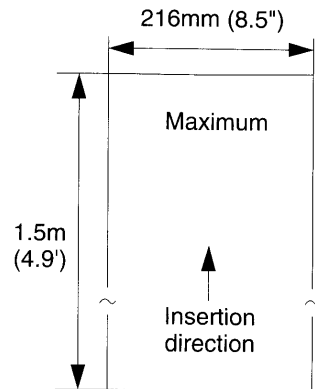
Printing inside of the original.



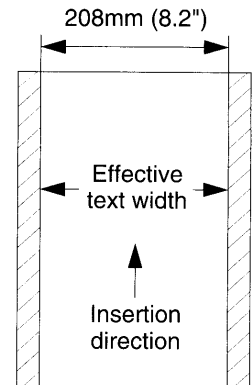
Transmission

Original documents

■ Transmittable original size



■ Effective text width



Note:

An original other than specified should be reduced or enlarged by a photocopier then the copy can be used as an original document.

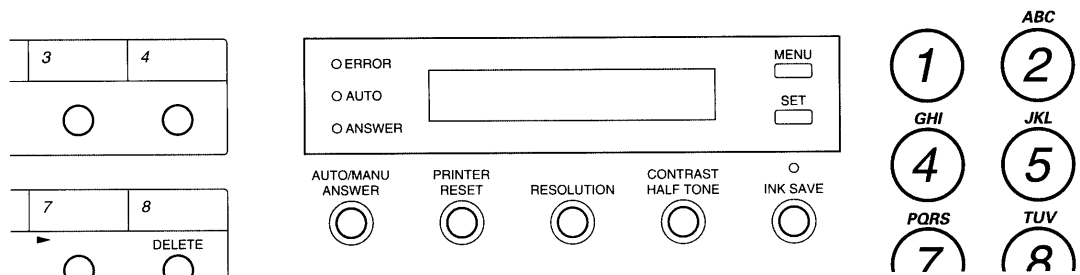
■ Effective thickness

	1 original sheet	multi sheets
thickness (per sheet)	0.05 - 0.15mm (0.002" - 0.006")	0.08 - 0.13mm (0.003" - 0.005")

■ Notes on the suitability of documents:

- *Allow ink and/or glue to dry completely before inserting a document.
- *Do not transmit curled or folded documents.
- *Make sure that any paper clips, staples or pins have been removed from documents.
- *When an original is carbon paper, waxed paper or vinyl-coated paper, use a photocopy of the original.
- *Never use documents thicker than 0.15mm(0.006"), metal sheets or cloth. Use a photocopy instead.

Resolution and Contrast/Halftone



The SFX-P500 allows you to select different resolution and contrast/halftone modes for fax transmission and copying.

Select the most suitable mode for your original documents after placing the document in the original slot.

You can also set the SFX-P500 either to remain in the selected mode until another selection is made, or to return to the default mode after each transmission/copying. Use the feature switch No.27 and 28 to switch between **Not return** and **Return home** modes. (See pages 76-77 and 79.) The initial factory setting is **Not return** position.

[RESOLUTION]

- STD For text in standard typefaces.
 ↓
 FINE For text with fine type and for drawings.
 ↓
 SUPER For text with very small characters and/or graphics.

[CONTRAST/HALF TONE]

- NORMAL For normal contrast documents.
 ↓
 LIGHT For low contrast documents which need to be transmitted or copied darker.
 ↓
 HALF TONE For transmitting or copying halftone documents (photographs, for example).
 When HALF TONE is selected, the resolution mode is automatically set to FINE.

Placing original documents



1. Adjust the paper guide to the width of the document.
2. Place the document face down between the guides and gently insert it in the original slot.

■ When transmitting multiple page documents, arrange the sheets with the front edges.

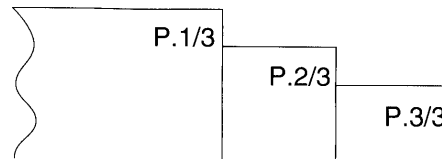
Note:

Up to 20 sheets can be placed in the original slot at one time. When transmitting more than 21 sheets, place the first 20 and then add more during transmission.

Transmission page set

Once you program the number of your original documents for transmission, the page numbers are printed at the top of each received copy you transmitted.

Example: you program 3 pages



This feature is convenient for both the transmitter and the receiver in that you may easily recognize the order of faxed document.

For transmitter: if the number of original documents programmed and the actual number of original documents transmitted do not match, an error will appear on the transmission report and activity report. (The initial factory setting is OFF/No report is issued.)

To program page numbering:

1. Place the original document face down.

Adjust the paper guide to the width of the document.

STD	NORMAL
-----	--------

2. Select a resolution and contrast/halftone mode if necessary. (See page 28.)

STD	NORMAL
-----	--------

3. Press **MENU** 4 times.

4 : # PAGES ?

4. Press **SET**.

PAGE ?	P. 0 0
--------	--------

5. Enter the number of pages.

Example: 3 pages

PAGE ?	P. 0 3
--------	--------

6. Press **SET**.

➔ A beep sounds.

STD	NORMAL
-----	--------

7. Dial the other party, then follow the transmission operation.

- If you make a mistake when entering the number of pages, press **DELETE**, then re-enter the correct number.
- To cancel the page setting, remove the original document placed in the tray.


Manual dialing transmission

- Place the original document face down.
Adjust the paper guide to the width of the document.

STD	NORMAL
-----	--------

- Select a resolution and contrast/half-tone mode if necessary. (See page 26.)


STD	NORMAL
-----	--------

- Press  and dial the number.
Example: 123456

1 2 3 4 5 6

- Press **START/MEMORY** after hearing the fax tone.

TRANSMISSION

- Press **STOP** to interrupt a transmission.
- If you make a mistake when entering a phone number, press **STOP** and then press , then enter the correct number.

Transmission report

When a fax transmission is completed, the SFX-P500 can print out a transmission report showing the other party's name or phone number, the number of the transmitted originals and the transmission result. The automatic transmission report print out has been factory-set to the OFF(no report issued) position. To change the setting to ON(after each transmission), or ON(when an error occurs), use the feature switch No. 31. (See pages 76-77 and 79.)

- For details of the error code appearing on the transmission report, see page 83.
- When the display shows "CHECK PAPER !" during printing because the recording paper jams, the recording paper is not feeding, or there is no recording paper in the recording paper stacker, install or replace the recording paper, or remove the jammed recording paper and press **PRINTER RESET** to print out the report.

Automatic dialing transmission

1. Place the original document face down.
Adjust the paper guide to the width of the document.

STD	NORMAL
-----	--------

2. Select a resolution and contrast/half-tone mode if necessary. (See page 26.)

STD	NORMAL
-----	--------

3. Dial the number.

One-touch dialing

Press One-touch key(1-8) for the party you want to send a fax to.

- Programming is required in advance (Refer to page 17).

Speed dialing

Press **SPEED DIAL** and enter the speed dial number(01-40) for the party you want to send a fax to.

- Programming is required in advance (Refer to page 18).

Direct dialing

Dial the number for the party you want to send a fax to and press **START/MEMORY**.

4. When the line is connected, transmission begins automatically.

TRANSMISSION

- Press **STOP** to interrupt a transmission.
- If you make a mistake when entering a dial number, press **STOP**, then enter the correct number.

Timer transmission

The SFX-P500 can be programmed for delayed fax transmission. The delayed start time can be set up to 24 hours in advance. A document of up to 20 pages can be programmed for timer transmission to one destination.

1. Place the original document face down.

STD NORMAL

2. Select a resolution and contrast/halftone if necessary.
(See page 26.)

STD NORMAL

3. Press **MENU** 3 times.

3 : TIMER ?

4. Press **SET**.

TIMER Tx. ?

5. Press **SET**.

START TIME : ■

6. Enter a delayed start time using the number keys.
(The start time must be entered using the 24-hour system.)
Example: 13:30

START TIME 13:30

7. Press **SET**.

PARTY ?

8. Enter the fax number.
Use one-touch, speed dial and/or number keys.
Example: One-touch dial 1 for DEALER A.

DEALER A

9. Press **SET**.
➔ A beep sounds.

<TIMER Tx. 13:30>

- If you make a mistake when entering start time, press **DELETE** then re-enter the correct start time.
- If you make a mistake when entering fax number using number keys, press ◀ or ▶ to move appropriate place and press **DELETE**, then re-enter the correct fax number.
- If you make a mistake when entering fax number using one-touch dial or speed dial, press **DELETE** to clear the party and then re-enter the correct party.
- If the fax number is busy when a timer transmission is attempted, the number is automatically redialed three times.
The number of redials can be changed using the feature switch No.05 (See pages 76-78.)

Canceling timer transmission

To cancel a programmed timer transmission:

1. Press **MENU** 3 times.

3 : TIMER ?

2. Press **SET**.

TIMER Tx. ?

3. Press **SET**.

CANCEL ?

4. Press **SET**.
→ A beep sounds.

CANCELLED !

Changing timer transmission

1. Press **MENU** 3 times.

3 : TIMER ?

2. Press **SET**.

TIMER Tx. ?

3. Press **SET**.

CANCEL ?

4. Press **MENU** to select "CHANGE ?".

CHANGE ?

5. Press **SET**.

START TIME 13:30

6. Press **DELETE** to clear the wrong start time.

START TIME : █

7. Enter a correct delayed start time.
Example: 15:00

START TIME 15:00

8. Press **SET**. DEALER A
9. Press **STOP** to delete the wrong number. PARTY ?
10. Enter a correct fax number.
Example: 111-222 111-222
11. Press **SET**.
→ A beep sounds. <TIMER Tx. 15:00>

Timer transmission report

The SFX-P500 can print out a timer transmission report showing the other party's name or phone number, the number of the transmitted originals and the transmission result. The automatic timer transmission report print out has been factory-set to the OFF (No report issued) position.

To change the setting ON (after each timer transmission) or ON (when an error occurs), use the feature switch No.32 (see pages 76-77 and 79).

Sample of timer transmission report

```

* * * TIMER TRNS . REPORT * * *
15 Jun.'97 12:01 ABCDE 123456
SET TIME 12:00
START 12:00 PARTNER PAGE RESULT
12:00 DEALER A 1 OK

```

- For details of the error code appearing on the timer transmission report, see page 83.
- When the display shows "CHECK PAPER !" during printing because the recording paper jams, the recording paper is not feeding, or there is no recording paper in the recording paper stacker, install or replace the recording paper, or remove the jammed recording paper and press **PRINTER RESET** to print out the report.

Broadcasting transmission

This unit can send documents stored in memory to a series of programmed fax numbers. One job and 20 parties can be programmed for broadcasting in any combination of one-touch, speed dial and direct dial. The transmittable original document is approx. *17 pages as ITU-T Test chart #1.

* It depends on the rest of memory. Broadcasting and memory reception share the memory.

1. Place the original document face down.

STD NORMAL

2. Select a resolution and contrast/halftone if necessary.
(See page 26.)

STD NORMAL

3. Press **START/MEMORY**.

0: NOW 1: LATER

4. Press **0** or **1**.

0: Go to step 7, enter the fax number.

1: Go to next procedure.

5. Enter a start time using the number keys.
(The start time must be entered using the 24-hour system.)
Example: 17:00

START TIME 17:00

6. Press **SET**.

PARTY ?

7. Enter the fax number (up to 20 parties programmed).
Use one-touch, speed dial and number keys.
• Press **STOP** to cancel your program.
Example: 123456

1 2 3 4 5 6

8. Press **SET**.

• To program other parties, repeat steps 7-8.

PARTY ?

9. Press **START/MEMORY**.

➔ The SFX-P500 stores the original document in memory and then will initiate broadcasting transmission at the set time.

SCAN LEFT: 16

<B. C 17:00>

- If you make a mistake when entering start time, press **DELETE** then re-enter the correct start time.
- If you make a mistake when entering fax number using number keys, press **◀** or **▶** to move appropriate place and press **DELETE**, then re-enter the correct fax number.
- If you make a mistake when entering fax number using one-touch dial or speed dial, press **DELETE** to clear the party and then re-enter the correct party.

Canceling Broadcasting Transmission

1. Press **START/MEMORY**.

B. C CANCEL ?

2. Press **SET**.

CANCELLED !

Transmission

Broadcasting list

You can confirm the contents of your setting by printing out the broadcasting list.
To print out the broadcasting list, press **COPY** instead of **SET** at step 8 on page 33.

Sample of broadcasting transmission list

* * * BROADCAST LIST * * *				
15 Jun.'97 15:27 ABCDE			123456	
SET TIME		17:00		
No.	START	PARTNER	PAGE	RESULT
1	----	DEALER A	0	--
2	----	DEALER B	0	--

Broadcasting report

When the feature switch No. 35 is set to ON a broadcasting transmission report is printed out. The switch is initially factory-set to the OFF position.

Sample of broadcasting transmission report

* * * BROADCAST REPORT * * *				
15 Jun.'97 17:01 ABCDE			123456	
SET TIME		17:00		
No.	START	PARTNER	PAGE	RESULT
1	17:00	DEALER A	1	OK
2	17:01	DEALER B	1	OK

Polling transmission

The polling function allows the operator to call a remote unit and cause it to transmit a document(s) that has been placed in its ADF(Auto Document Feeder) by the other party. Polling can be done if the password of the units match(secure polling). In case of secure polling operation, a specified password (4 digits number) can be used between SANYO G3 machines (secure polling). If polling is required to another manufacture's machine or SANYO G3 machine which does not have the password, set the password to "0000" (non secure polling).

1. Place the original document face down.

STD NORMAL

2. Select a resolution and contrast/halftone if necessary (see page 26).

STD NORMAL

3. Press **MENU** once.

1: POLLING ?

4. Press **SET**.

POLLING Rx. ?

5. Press **MENU** to select "POLLING Tx. ?".

POLLING Tx. ?

6. Press **SET**.

PASSWORD ? 000**0**

7. Enter the receiver's 4-digit password.

Example: If receiver's password is 0123, press **0** **1** **2** **3**.

PASSWORD ? 012**3**

8. Press **SET**.

The SFX-P500 feeds the original.

➔ A beep sounds.

< POLLING Tx. >

- Keep the unit in auto reception mode after polling transmission has been set.
 - Auto reception is still available when polling transmission has been set.
 - When you need to operate copying, transmission and function mode operations(except polling transmission), press **STOP** to remove the original document. Place the original document again after the operation is completed.
 - In case receiver's password is 3 digits, enter 0 preceding the password.
- Example:** If receiver's password is 123, press **0** **1** **2** **3**.

Canceling polling transmission

1. Press **MENU**.
2. Press **SET**.
3. Press **MENU** to select "POLLING Tx. ?".
4. Press **SET**.
5. Press **SET**.
 - ➔ A beep sounds.
 - Press **STOP** to remove a document set for polling transmission.

1: POLLING ?

POLLING Rx. ?

POLLING Tx. ?

CANCEL ?

CANCELLED !

Transmission

Changing polling transmission

1. Press **MENU**.
2. Press **SET**.
3. Press **MENU** to select "POLLING Tx. ?".
4. Press **SET**.
5. Press **MENU** to select "CHANGE ?".
6. Press **SET**.
7. Enter a correct password.
Example: 1234
8. Press **SET**.
 - ➔ A beep sounds.

1: POLLING ?

POLLING Rx. ?

POLLING Tx. ?

CANCEL ?

CHANGE ?

PASSWORD ? 0123

PASSWORD ? 1234

< POLLING Tx. >

Overseas transmission

When you transmit an original to an overseas party, an error condition may occur depending on a distorted phone line situation.

To avoid this, you may use this feature setting.

This feature effects a transmission.

1. Place the original document face down.
Adjust the paper guide to the width of the document.

STD NORMAL

2. Press **SPEED DIAL**.

S. D : ■

3. Press **#**.
➔ A beep sounds.

4800BPS SET

4. Continue the transmission procedure.

* This feature may also be used for local communication when an error condition occurs.

Redial

When attempting a fax transmission, if a number that has been dialed (using direct dialing, one-touch/speed dialing) is busy, the SFX-P500 automatically redials. You can also redial manually by pressing the **REDIAL/P** key.

Automatic redial

The dialed number is automatically redialed.

- The SFX-P500 is set to redial a number twice (three times for a number dialed using the timer transmission feature). These settings can be changed using the feature switches No.05 and No.06. (See pages 76-78.)
- The redial interval is about 3-minute.
- If the document is removed, the automatic redial function is canceled.

Manual redial

1. Press **REDIAL/P**.

The number is redialed. (If the document is removed, the number cannot be redialed.)

- Manual redial can also be used for a phone call.

ECM (Error Correction Mode)

The SFX-P500 performs ITU-T ECM which is a significant communication signaling system between G3 facsimile machines equipped with this feature.

This feature reduces the possibility of damaged data as a result of a poor telephone line by re-transmitting partial data.

When communicating with ECM, the telephone charges may increase. However, using ECM costs less than if the entire page was re-transmitted.

Stand-by position of ECM can be set ON, OFF or Not return by feature switch No. 24. The initial factory setting is ON.(See pages 76-77 and 79.)

Temporary setting on or off

1. Place the original document face down.

STD	NORMAL
-----	--------

2. Select a resolution and contrast/halftone if necessary
(See page 26).

STD	NORMAL
-----	--------

3. Press **MENU** 6 times.

6 : ECM ?

4. Press **SET**.

ECM	ON	?
-----	----	---

5. Press **MENU** to select between ON and OFF.

ECM	OFF	?
-----	-----	---

6. Press **SET**.

➔ A beep sounds.

The SFX-P500 returns to stand-by mode.

- ECM is carried out for this transmission only.

For feature transmissions, you must repeat the steps outlined above to set ECM again.

STD	NORMAL
-----	--------

7. Dial the other party, then follow the transmission operation.

Fax transfer function

Fax transfer function enables you to transfer the received fax messages which is stored in memory to another fax.

Both automatic and manual fax transfer are available.

Programming the fax transfer

1. Press **MENU** 7 times.

7:SET FORWARD ?

2. Press **SET** .

Default position of initial factory setting is "OFF".

FORWARD : OFF

3. Press **MENU** to select the transfer mode.

FORWARD : AUTO

4. Press **SET** .

- When you select "OFF" at step 3, the machine returns to stand-by mode after a beep sounds.
- When you select "MANUAL" at step 3, proceed to step 7.
- When you select "AUTO" at step 3, proceed to step 5.

5. Enter the fax number you want to transfer.

Use one-touch dial, speed dial or direct dial.

Example: 111222333444555

111222333444555■

6. Press **SET** .

- When you select "AUTO" at step 3, the machine returns to stand-by mode after a beep sounds.

15 Jun.' 97 12:00

7. Enter the password.

Example: 1234

PASSWORD ? 1234

8. Press **SET** .

The machine returns to stand-by mode after a beep sounds.

15 Jun.' 97 12:00

Automatic fax transfer

When fax messages are received, the machine prints out the messages and calls programmed fax number automatically. Then, the fax messages are automatically transmitted from memory.

Note:

When the called party is busy, automatic redial function works according to the setting of the feature switch No. 05 (See page 78).

When the fax transfer is still not succeeded after redialing, the fax transfer is canceled.

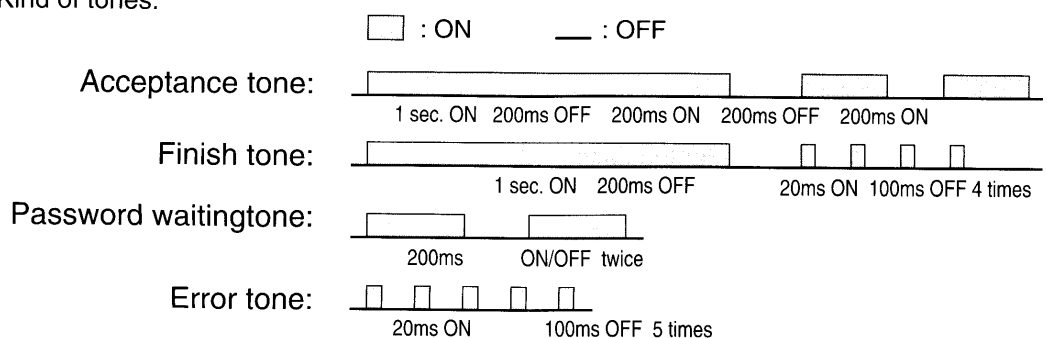
When some error occurs during transmitting, the transmitting is putting off until passing 10 to 11 minutes then, re-transmitting is carried out.

When re-transmitting is still not succeeded, the fax transfer is canceled.

Manual fax transfer

1. Dial the SFX-P500 from the fax that you want to receive the fax transfer.
*The dial must be "TONE" dialing.
2. Press **[X]** while simulated ring-back-tone is heard.
The simulated ring-back-tone which is generated by the SFX-P500 can be heard after the SFX-P500 detects the *first set of ring.
*Refer to the automatic reception on page 44.
3. Enter the password you programmed in the SFX-P500 as soon as you hear an acceptance tone (See note below).
*The password must be generated by TONE signal.
4. After the SFX-P500 accepts the password, CNG signal are released. Now, press **[START/MEMORY]** to receive fax messages.
 - When no fax transfer messages are stored, a finish tone is released and the line is disconnected.
 - When a wrong password is entered, an error tone is released, then a password waiting tone follows.
 - Entering password is failed 3 times consecutively, the line is disconnected.

Kind of tones:

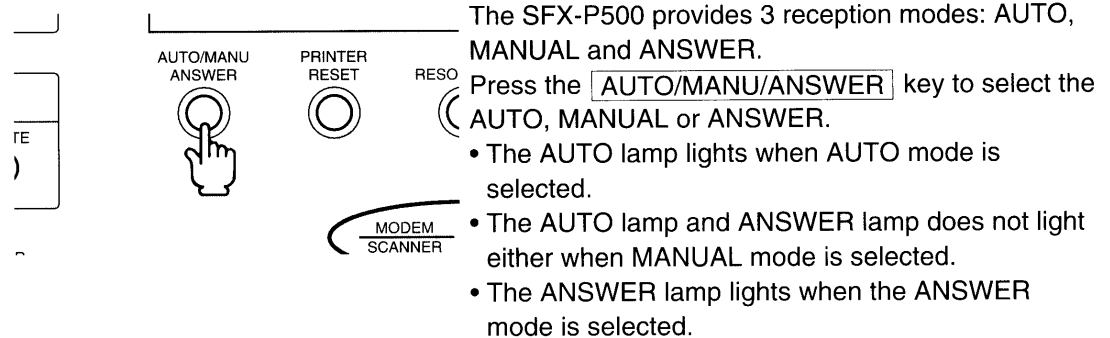


Note:

- When the manual fax transfer is carried out and all transfer messages stored in memory are transmitted while automatic fax transfer is waiting (waiting redial), the automatic message transfer is canceled.

Reception

Reception modes



AUTO

The SFX-P500 receives incoming fax messages automatically.

The feature switches No. 07, No. 09 and No.16 offer you a variety of selections regarding the auto reception mode settings. (See pages 76-78.)

Incoming telephone calls are received by the connected extension phone.

MANUAL

Use this mode if you use the SFX-P500 mainly for phone calls.

You can receive an incoming fax message after completing a phone conversation.

Incoming telephone calls are received by the connected extension phone.

The connected extension phone rings.

ANSWER

Use this mode if you expect both phone calls and faxes while you are away.

Incoming phone calls are received by the built-in telephone and connected answering machine.

Incoming faxes are received automatically.

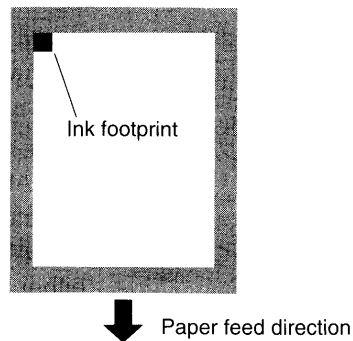
See pages 44-47 for more details of each reception mode.

Note:

- If the incoming fax is in halftone, it may cause a memory-over-flow of the SFX-P500 and the reception is failed.
In this case, ask transmitter to set the transmission the normal mode instead of halftone mode.

Ink footprint

The small black square mark in the diagram is the ink footprint.
The ink footprint appears at the lower left corner of the received document.



The shaded portions of the document shown in the diagram are not recorded by your fax.

When the ink footprint becomes a lighter color, this indicates that ink in the cartridge is running low and will require replacement soon.

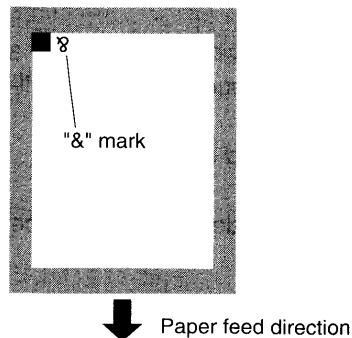
When ink runs low in the cartridge and the fax detects a light ink footprint, the display shows "INK EMPTY !".

When you see this message, follow the procedures on page 9 to install an ink cartridge.

Caution:

- Place the SFX-P500 on a smooth surface to allow smooth feeding of documents being received.
If a received document waves when it is coming out, it may cause a malfunction of the ink sensor.

If "&" mark appears on the received document, with the ink foot print, the SFX-P500 receives a page of transmitted original document in 2 pages.



To avoid this, see Reduction reception on page 54.

Ink save mode

When **INK SAVE** mode is set to on, fax and copier printing consumes half of the amount of ink used for normal printing.

Auto reception

When an automatically transmitted fax is received:

Incoming faxes that are automatically transmitted are received automatically after issuing a set of rings (see note 1).

When a voice call or manually transmitted fax is received:

A voice call or manual fax transmission is automatically connected to the line after issuing a set of rings and the built-in voice response answers the caller. (The voice response can be turned off. See note 2 below.)

Here's what happens when a voice call or manual transmission is received:

Incoming call.

The connected extension phone rings according to a set of rings. (See note 1.)

As soon as the line is connected, the voice response 1 is heard.

<Voice response 1>

"Please wait for a moment."

After this voice response, the SFX-P500 can receive a fax. If the caller does not start fax transmission or the telephone is not picked up, the SFX-P500 issues a set of simulated rings. Voice response 2 is heard. (See note 3.)

<Voice response 2>

"No one is here now, however if you wish to send a fax, please transmit at the tone."

The SFX-P500 automatically switches to the fax receiving mode, and fax reception starts.

Notes

1. The number of rings that sound before the line is connected can be changed to a short ring or any number between 1 and 11 rings. Use the feature switch No. 07. (See pages 76-78.) The switch is initially factory-set to 00 (short ring).
2. Using the feature switch No. 16, you can switch the voice response on or off. (See pages 76-78.) If the switch is set to 00, no voice response will be heard.
3. The number of simulated rings that sound after the line is connected can be changed to any odd number between 3-11 rings. Use the feature switch No. 09 (See pages 76-78). To answer a phone call, lift the handset of extension phone during the unit is issuing a simulated rings and press **[STOP]**. The switch is initially factory-set to 00(No rings/ No auto switching), so the SFX-P500 does not provide simulated rings, and answers callers with fax tone after the first set of rings.

IMPORTANT: Once connected to the line, the caller is billed for the call.

4. To avoid jamming or to ensure proper operation, remove the received sheets when they are accumulated (several sheets) in front of the recording paper exit.

What to do if you answer a fax call before the SFX-P500 connects to the line.

- If you pick up the call from a Touch-Tone extension phone connected to the same line, press [✕] and then [#] firmly on the extension phone to activate fax reception on the SFX-P500.

See **Remote reception** on page 48.

Remote reception will not work from a pulse dialing phone.

- ➔ **The default setting of the switch No. 57 (FAX/TEL parallel switch) is OFF. To use this function, set the switch to ON (see pages 76-77 and 80)**

- Pressing the **START/MEMORY** key on the SFX-P500 will always initiate fax reception after lifting the handset of extension phone.

What to do if you answer a voice call on an extension phone after the SFX-P500 connects to the line:

When the line connects, the SFX-P500 issues a set of simulated rings** and then issues a fax tone to the caller.

To stop the simulated rings and start a conversation with the caller, press [✕] and then [#] firmly on the extension phone.

See **Remote reception** on page 48.

The number of rings is user-selectable. Use the feature switch No. 09. See **Note 3 on page 44.

- ➔ **The simulated rings are included to provide more time to answer calls for the users who expect both fax and voice calls on the same number. If you want a fax tone to be issued right after the unit connects to the line, turn off the second set of rings using the feature switch No. 09.**

Manual reception

When set in MANUAL mode, the extension phone connected to the SFX-P500 through the Break-in Adaptor rings just like a telephone. When a call arrives, the extension phone and other telephones connected to the same line ring until you answer the call using one of them.

Incoming faxes can be received with your initiation only.

1. Lift the handset of extension phone when the telephone rings.
 - If the call is for a fax transmission (you hear an incoming fax tone), the SFX-P500 receives incoming fax automatically when the feature switch No. 54 is set to ON (01) position. (Default position of factory setting is ON.) Replace the handset of extension phone after initiating the reception.

2. When the conversation is complete, press **START/MEMORY**.

** RECEIVING **

Your caller can start fax transmission after hearing a fax tone.

3. Replace the handset of extension phone.

4. When reception is complete, a beep sounds.

Note:

- If the SFX-P500 is located in a noisy place, the unit may not pick up the incoming fax signal and automatic receiving will not start. Press **START/MEMORY** button to initiate receiving.

If you answer a fax call on an extension phone:

- If you pick up the call from a Touch-Tone extension phone connected to the same line, press [**X**] and then [**#**] firmly on the extension phone to activate fax reception.

See **Remote reception** on page 48.

Remote reception will not work from a pulse dialing phone.

- ➔ **The default setting of the switch No. 57 (FAX/TEL parallel switch) is OFF. To use this function, set the switch to ON (see pages 76-77 and 80).**

Answer reception

Use this mode if you want to receive both phone messages and faxes while you are away. (Connect an answering machine to the SFX-P500 through the Break-in Adaptor.)

1. The connected answering machine (and other telephones connected to the same line) rings according to the ring delay setting of your answering machine.

When an incoming fax signal is received:

The SFX-P500 automatically switches to the receiving mode.

When a phone call is received:

The connected answering machine plays your announcement and then takes messages.

- The SFX-P500 can receive a fax after the answering machine plays the announcement if the caller is trying to send a fax manually.
- If there is no incoming voice signal for 6 seconds, the SFX-P500 automatically switches over to the fax receiving mode, the SFX-P500 sends a fax signal to the caller.
- Be sure to advise callers in your announcement that a reception takes place after the message.

Example: Please leave your message or send a fax after you hear the fax tone.

2. Fax reception starts.

** RECEIVING **

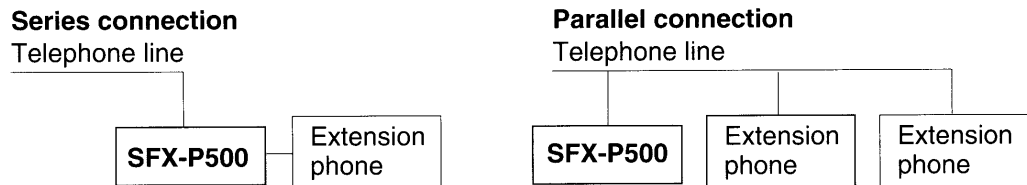
3. Reception is completed.

15 Jun. '97 12:00

- The answering machine must be set to answer a call within 4 rings.
- Automatic switching may not function properly on certain answering systems.
- When the SFX-P500 is set to the ANSWER mode, there may be some difficulties in remote message retrieval operation of the connected answering machine. If you need to access the answering machine by remote, it is recommended that the SFX-P500 is set to the MANUAL mode.

Remote reception

The remote reception feature allows for fax reception after a telephone call is answered by an extension telephone connected to the same line as the SFX-P500. This feature works with either series or parallel connection.



Using the extension phone directly connected to SFX-P500 (series connection):

The initial factory-set is ON (33) position.

To change the setting, use the feature switch No. 08. (See pages 76-78.)

1. When an incoming call is received, lift the handset of the extension phone.
2. Talk.
3. Enter **[3][3]**.
4. Replace the handset.

- This feature can only be used when the reception mode is set to MANUAL or AUTO (not ANSWER).
- This feature may not function properly on certain telephones.
- Remote reception cannot be performed if you initiate a call from the extension phone.

Using a Touch-Tone extension phone connected to the same line in parallel:

The default setting of feature switch No. 57 (Parallel FAX/TEL connection) is OFF. To use this function, set the switch to ON.

1. When an incoming call is received, lift the handset of the extension phone.
2. Talk if it is a voice call. If it is a fax, then:
3. Press **[X]** and then **[#]** on the extension phone to activate fax reception.
(Press each button for at least half a second.)
4. Replace the handset.

You can also deactivate fax reception from an extension phone:

If you answer a voice call on an extension phone while the SFX-P500 is issuing the second set of rings in auto reception mode, you can stop the ringing by entering **[X]** and then **[#]** from the extension phone. This prevents the SFX-P500 from switching to fax receiving mode.

Notes:

- Remote reception cannot be used from pulse-dialing extension phones.
- Remote reception may not work when the reception mode is set to ANSWER mode.
- Remote reception may not function properly on certain telephones.

Polling reception

The polling reception feature allows the SFX-P500 to call another party and instruct the other party's machine to transmit a document to your number. (The other party's fax machine must be set to polling transmission mode.)

The call is billed to the receiving party.

1. Press **MENU**.

1 : POLLING ?

2. Press **SET**.

POLLING R x. ?

3. Press **SET**.

PARTY ?

4. Enter the fax number.

Use one-touch, speed dial and number keys.

1 2 3 4 5 6 ■

5. Press **SET**.

➔ The SFX-P500 starts to dial.

• After the reception, the SFX-P500 returns to stand-by mode.

• To cancel polling reception, press **STOP**.

• If you make a mistake in entering the fax number, press **STOP** and re-enter the correct number.

Timer polling reception

The timer polling feature allows the SFX-P500 to call another party at set time and instruct the other party's machine to transmit a document to your number. (The other party's fax machine must be set to polling transmission mode.)
The call is billed to the receiving party.

1. Press **MENU** 3 times.

3 : TIMER ?

2. Press **SET**.

TIMER Tx. ?

3. Press **MENU** to select "TIMER POLLING ?".

TIMER POLLING ?

4. Press **SET**.

START TIME : ■

5. Enter a start time using the number keys.
(The time must be entered using the 24-hour system.)
Example: 17:00

START TIME 17:00

6. Press **SET**.

PARTY ?

7. Enter the party's fax number using
one-touch, speed dial or number keys.

1 2 3 4 5 6 ■

8. Press **SET**.
➔ A beep sounds.

<TIMER Rx. 17:00>

- If you make a mistake when entering a fax number using the number keys, press **◀** or **▶** to move to the appropriate place and press **DELETE** key and then re-enter the correct number.
- If you make a mistake when entering a start time or fax number using a one-touch or speed dial, press **DELETE** key and re-enter start time or the correct number.

Cancelling timer polling

To cancel a programmed timer polling:

1. Press **MENU** 3 times.

3 : TIMER ?

2. Press **SET**.

TIMER Tx. ?

3. Press **MENU** to select "TIMER POLLING ?".

TIMER POLLING ?

4. Press **SET**.

CANCEL ?

5. Press **SET**.
 → A beep sounds.

CANCELLED !

Changing timer polling

1. Press **MENU** 3 times.

3 : TIMER ?

2. Press **SET**.

TIMER Tx. ?

3. Press **MENU** to select "TIMER POLLING ?".

TIMER POLLING ?

4. Press **SET**.

CANCEL ?

5. Press **MENU** to select "CHANGE ?".

CHANGE ?

6. Press **SET**.

START TIME 17:00

7. Press **DELETE** to clear the wrong start time.

START TIME : █

8. Enter a correct delayed start time.

Example: 15:00

START TIME 15:00

9. Press **SET**.

1 2 3 4 5 6

10. Press **STOP** to delete the wrong number.

PARTY ?

11. Enter a correct fax number.

1 1 1 - 2 2 2

12. Press **SET**.

→ A beep sounds.

<TIMER Rx. 15:00>

Reception

Timer polling report

When the feature switch No. 33 is set to ON (after each timer polling reception), or ON (when an error occurs), a timer polling report is printed out. (See pages 76-77 and 79.) The switch is initially factory-set to the OFF position.

Sample of timer polling report

```

* * * TIMER POLL. REPORT * * *
15 Jun. '97 12:00 ABCDE 123456
SET TIME 12:00
START 12:00 PARTNER PAGE RESULT
12:00 DEALER A 1 OK

```

- If a fax number is busy when a timer polling reception is attempted, the number is automatically redialed three times. The number of redial can be changed using feature switch No. 05. (See pages 76-78.)

Memory reception

The SFX-P500 can receive document(s) into memory when the recording paper is exhausted during reception, recording paper is not in the unit or the ink cartridge is exhausted.

Once memory reception has been done, the display shows "Rx. IN MEMORY" and the cause of memory reception "PRINTER ERROR !" "CHECK PAPER !" or "INK EMPTY !" alternately.

Example: <R x. IN MEMORY >

To print out the received document in memory, press PRINTER RESET after installing the recording paper or replacing the ink cartridge.

Note:

- The memory capacity is approx. 34 pages as ITU-T Test chart #1.
(The memory is shared for other memory function.)

Power failure

When power failure occurs while the SFX-P500 has received the document in memory, the stored data is lost.

When the power is returned, the display shows "MEMORY DATA LOST !".

- When the display shows "CHECK PAPER !" during printing because the recording paper jams, the recording paper is not feeding, or there is no recording paper in the recording paper stacker, install or replace the recording paper, or remove the jammed recording paper and press PRINTER RESET to print out the received data.

Memory overflow

Occasionally, when an incoming fax is set for halftone transmission, this may cause a memory overflow of the SFX-P500, resulting in a failed reception.

If this happens, ask the transmitter to set the transmission to normal mode instead of halftone mode.

Reduction reception

If a page that is transmitted to you is longer than your recording paper, the SFX-P500 may receive it in 2 pages. The reduction reception feature prevents this from happening by automatically compressing all incoming faxes in length to 90%, 84% or 70%.

To change the reduction setting or to turn off the feature (no reduction), use feature switch No. 55.

The switch is initially-factory set to 01 (90% reduction).

1. Press **MENU** 8 times.

8 : SET MODE ?

2. Press **SET**.

1 : TIME SET ?

3. Press **MENU** twice.

3 : FEATURE SW. ?

4. Press **SET**.

(00) DIAL MODE

5. Enter **5** and **5**.

(55) Rx. RATIO

6. Press **SET**.

90% (01)

7. Enter the code of your choice.

00 — 100% (no reduction)

01 — 90%

02 — 84%

03 — 70%

84% (02)

8. Press **SET**.

(57) PARALLEL TEL

9. Press **STOP** twice.



15 Jun.'97 12:00

Note:

- To interrupt the feature switch setting procedure, press **STOP** twice.
- Once you have the desired reduction mode, the setting will remain until you change the setting again.

Phone calls using extension phone

Making phone calls

1. Press .
2. Dial the number you want to call.
Example: 012345
3. When the call is answered, lift the handset of the extension phone and press , and talk.

PULSE to TONE dial switch over

The **TONE** key lets you convert a pulse dialing line temporarily to Touch-tone dialing to allow access to a variety of services now available to Touch-tone line users. Press **TONE** while dialing.

Answering phone calls



1. The telephone rings.
Lift the handset of extension phone.
 2. Talk.
 3. Hang up when the conversation is completed.
- If you hear an incoming fax tone at step 1, replace the handset after the display shows **RECEIVING**.
 - If the SFX-P500 is located in a noisy place, the unit may not pick up the incoming fax signal and automatic receiving will not start, press **START/MEMORY** button to initiate receiving.
 - If you hear an incoming fax tone at step 1 when using an extension telephone connected to the SFX-P500 through the Break-in Adaptor, press **3 3** to receive the incoming fax (see remote reception, page 48).

Holding conversation

1. Press **HOLD** during a phone conversation.
 2. Replace the handset of extension phone.
(The call is put on hold.)
 3. Lift the handset of extension phone and press **HOLD** to resume the conversation.
- Pick up the handset and press **HOLD** to resume conversation within 25 seconds.
If not, the line is disconnected.
 - The SFX-P500 has been factory-set with a music-on-hold feature.
Use the feature switch No. 10 to turn off this feature (no music while a call is on hold).
See pages 76-78 for detailed instructions.

Redial

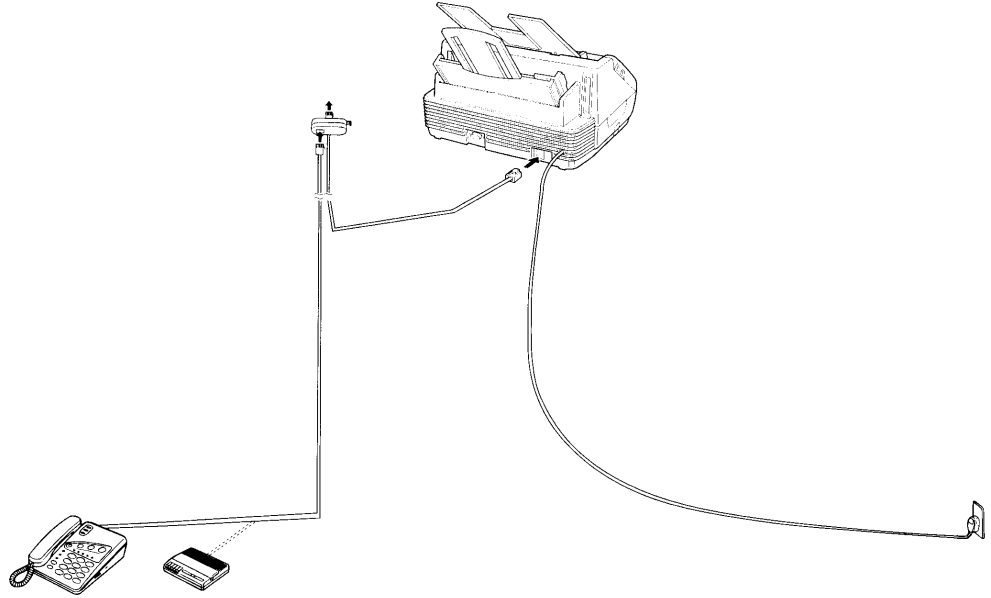
The REDIAL key redials the last number dialed.

1. Press .
2. Press **REDIAL/P**.
The last number dialed is redialed.
3. Lift the handset of extension phone and press .

Connecting an extension telephone

You can connect an extension telephone(or answering machine) to your SFX-P500 through the Break-in Adaptor.

Once connecting an extension telephone to the SFX-P500, you can make a phone call/answer a phone call/operate remote reception function.



Note:

- Remote reception cannot be performed if you initiate a call from the extension phone.
- Though you unplug the AC power cord, the extension telephone can be used for making a phone call and receiving a phone call.

Copy

Single copy

1. Place the original document face down.

STD NORMAL

2. Select a resolution and contrast/halftone if necessary. (See page 26.)

STD NORMAL

3. Press **COPY**.

*** COPY ***

Multiple copy

The SFX-P500 can produce up to 99 copies from an original document of up to 34 pages memory.

1. Place the original document face down.

STD NORMAL

2. Select a resolution and contrast/halftone if necessary. (See page 26.)

STD NORMAL

3. Press **MENU** 4 times.

4 : #PAGES ?

4. Press **SET**.

PAGE ? P. 00

5. Enter the number of copies.
Up to 99 copies can be made.
Example: 3 copies

PAGE ? P. 03

6. Press **COPY**.

- ➔ The SFX-P500 starts to scan the original.
After scanning the original, the SFX-P500 prints out the copies.

SCAN LEFT: 33

PRINT: 1 SET: 3

- The SFX-P500 uses its memory to produce copies. The memory capacity is approximately 34 letter-size originals.
- To cancel multiple copying, press **STOP**.
- With some types of paper, ink will take a longer time to dry, and it may leave stains on the original document.
- Avoid using very smooth, slippery papers (**such as fax paper, or transparencies**) as original documents. Such material may cause the SFX-P500 to produce copies on which one page is printed over 2 pages.

Reduction copy

An original document that is longer than your recording paper can be copied on a single page by compressing the contents in length to fit your paper size.

Three compression rates are provided: 90%, 84% and 70%.

This feature is initially-factory set to OFF.

To use the Reduction copy function:

1. Press **MENU** 5 times.

5:REDUCTION ?

2. Press **SET**.

REDUCTION OFF

3. Press **MENU** to select the desired compression rate.

- The display changes each time the key is pressed:

OFF - 90% - 84% - 70%

90% — reduces copy on letter size document

84% — reduces A4 size to letter size

70% — reduces legal size to letter size

4. Press **SET**.

➔ A beep sounds.

15 Jun.'97 12:00

- The reduction setting remains until you change it again.

Note:

- The OFF setting of the reduction copy feature is set to reduce the contents to 97% of the original in length. This is to prevent an original from being copied onto 2 separate sheets. You can cancel this OFF-setting compression and reset to 100% (no compression) using the feature switch No. 50 (See pages 76-77 and 80).

Setting up

Connecting the SFX-P500 to your Computer

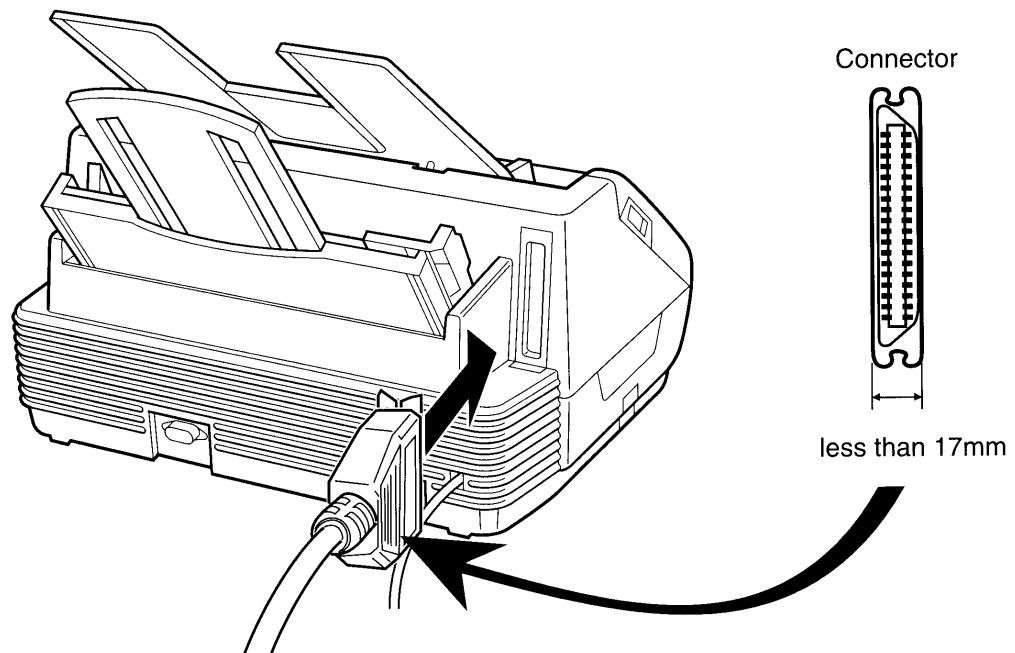
The SFX-P500 has an 8-bit, parallel interface port. It is necessary to use a centronics compatible, parallel interface cable (not included).

Ask your dealer for assistance if you need help selecting the right cable.

Notes:

- The thickness of the connector (see figure below) must be less than 17mm.
- For reliable data communications between your computer and the SFX-P500, use a short cable, six feet or less in length.

1. Make sure both the SFX-P500 and the computer are turned off.
2. Align the cable connector with the SFX-P500's parallel port.
Gently press the cable connector into the SFX-P500's printer's parallel port.

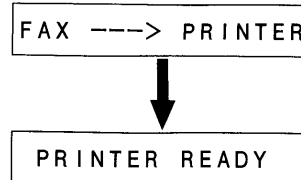


3. Secure the cable connector by snapping the two wire clips (located on the SFX-P500) onto the cable connector.
4. Connect the other end of the interface cable onto the parallel port on your computer.
5. Install the printer driver into your computer.
(For installation instructions, refer to the separate installation manual packed with floppy disk for the printer driver and your computer manual.)

Changing Fax use to Printer use

To change fax use to printer use, press **FAX/PRINTER** key.

The display shows:



Now, the SFX-P500 is set to the printer use.

When you want to return the SFX-P500 to the Fax use, press **FAX/PRINTER** again.

Facsimile operation during printer use

When the SFX-P500 is set to the printer use, some functions relating to the facsimile are disabled. (See the table below.) Faxes received while the printer is in use are stored in memory.

FUNCTION	AVAILABLE OR NOT	NOTE
Dial-out	Available	
On Hook	Available	
Music on hold	Available	
Tx. mode. Contrast/Resolution	Available	
Transmission and Reception	Available	Reception: Only memory reception is available
Polling reception and transmission	Available	Reception: Only memory reception
FAX modem	Available	Print-out is not available at Scanner mode
Auto progress for Tx. and Rx.	Available	Reception: Only memory reception is available
FAX/TAS switch over	Available	Reception: Only memory reception is available
Remote Rx.	Available	Memory reception
ECM ON/OFF	Available	
Remote FAX setting	Available	
Page number setting for Tx.	Available	
Document insertion and feedout	Available	
Copy/Multi Copy	Not available	
Automatic Redial	Not available	
Timer Tx., Timer Polling	Not available	
Broadcasting transmission	Not available	
Setting mode	Not available	
Reduction copy	Not available	
Ink save key	Not available	
Activity report print-out	Not available	
Setting One-touch dials and Speed dials	Not available	

Paper handling

Manually feeding thick paper or transparencies

You use the manual feed feature when printing on paper that is a heavier weight (up to 28lb or 105g/m²) or a transparency stock.

Use transparency film such as 3M's CG3480, Canon's #Q07-0001-M1 that are intended for use with ink jet printers.

Cautions:

- Always feed transparencies manually.
- Use transparencies only in a normal operating environment.
High temperatures may damage a transparency.
- After printing on transparencies, feed at least two sheets of paper through the printer to clean the rollers.

To manually feed a single sheet, follow these steps:

1. Make sure the SFX-P500 is power ON.
2. Set the paper selection lever (on the right side of the recording paper guide) to the forward position. (See page 12.)
3. If you are printing on thick paper, open the transmission unit and make sure the paper thickness lever is set to the right. (See page 9.)
4. Align the sheet of paper or transparency with the right edge of the recording paper guide and adjust the paper guide to the sheet. (See page 12.)

Note:

When printing on a transparency, insert the sheet so the transparency side is facing you and the backing is toward the sheet feeder. Insert the top of the transparency (where it is attached to its backing) into the sheet feeder first.

5. Start your print operation.

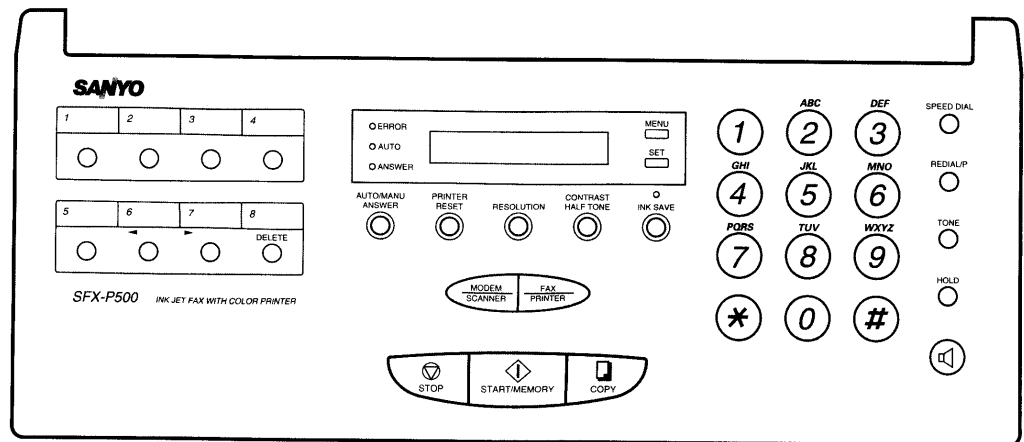
Note:

After printing on thick paper, set the paper selection lever back and the thickness lever to the left position before printing on normal paper.

For more information, see page 12.

Using the operation panel

You can control basic printer operations through the operation panel.
The SFX-P500 must be set to printer use. (Refer to page 61.)



Feeding paper

Press **PRINTER RESET** to form feeding of the recording paper.

Using the printer with your software

The SFX-P500 only supports systems running Microsoft Windows 3.1 and Windows 95 when the machine is used as a printer.

Printer driver

For installation procedure, refer to the separate installation manual packed with floppy disk for the printer driver.

When an error occurs

When an error occurs during printing (no paper or jammed paper), the SFX-P500 switches to OFF LINE automatically.

Once the error condition is corrected, there are two ways to return to ON LINE mode:

First way

Press the **PRINTER RESET** key to clear the error message and try to print again. (Data in the print buffer memory is kept.)

Second way

Press **FAX/PRINTER** to switch to fax mode.

After switching to fax mode, press **FAX/PRINTER** again to return to printer mode. (With this method, data in the printer buffer memory is canceled.)

Note:

Correct the error condition by adding paper, cleaning paper jam, or replacing ink cartridge, before pressing **PRINTER RESET** or **FAX/PRINTER** key.

Printer Specifications

Printer Method

Ink jet on-demand

Paper Handling

Automatic feed

Manual feed

Sheet Feeder Capacity

Plain paper: Maximum 100 sheets of letter, legal, A4, or B5 (20 lb or 75 g/m²);
maximum thickness of stacked paper = 0.39 inch (10 mm)

Paper Size

Letter: 8 1/2 x 11 inches

Legal: 8 1/2 x 14 inches

A4: 210 x 297 mm

B5: 182 x 257 mm

Paper Type

Plain paper

Transparency film (Canon #Q07-0001-M1 or 3M CG-3480) available with manual feed

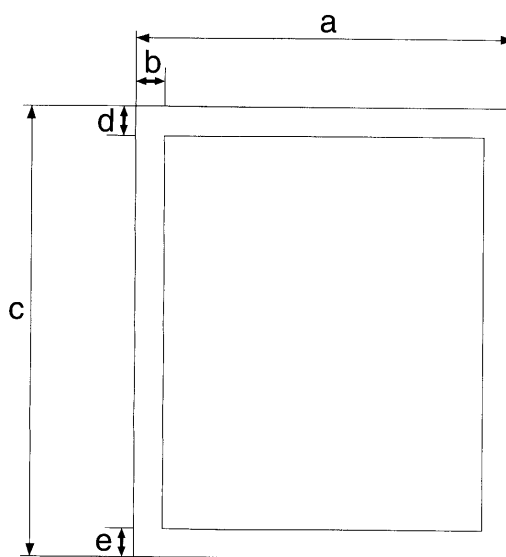
Paper Weight

17 to 24 lb (64 to 90 g/m²) with automatic feed

17 to 28 lb (64 to 105 g/m²) with manual feed

Printing Area

Paper:



Horizontal

a: 8.3 to 8.5 inches (210 to 216 mm)

b: 3.4 mm --- A4-size paper
0.25 inch --- Letter-size paper

Vertical

c: 11.0 to 11.7 inches (279 ~ 297 mm)

d: 0.12 inch (3.0 mm) --- Printable Area
0.5 inch (12.7 mm) --- Recommended
Printing Area

e: 0.28 inch (7.0 mm) --- Printable Area
0.49 inch (12.5 mm) --- Recommended
Printing Area

Interface

8-bit parallel:

For more information regarding interface specifications, contact your dealer or an authorized Sanyo service representative.

Ink Cartridge

Type: FXP - C02
Print head: 64 bubble jet nozzles
Ink color: Black
Number of character printed: Approx. 700,000 characters/cartridge
Ink amount: Approx. 0.9 oz (28g)

Type: FXP - C05
Print head: 16 bubble jet nozzles for each color
Ink color: CMY (Cyan, Magenta, Yellow)
Number of character printed: About 100 pages/cartridge at 7.5% coverage per page with CMYBK
Ink amount: Approx. 0.9 oz (28g)

Ink cartridge container

Type: FXP-SB05

When you use ink cartridge for color printing, the black ink cartridge is necessary to be removed. This optional ink cartridge container maintains the cartridge fresh to avoid to dry out of the ink.

Connecting to a computer

It is necessary to have a Fax software installed into your computer prior to utilizing the SFX-P500 for PC Fax, print and scanner functions. (See the bottom of this page about Fax software.)

PC fax modem, PC print and PC scanner are allowed to be performed using the fax modem function of the SFX-P500, if the SFX-P500 is connected to any computer of built-in 19200BPS baud rate function and completely compatible machine.

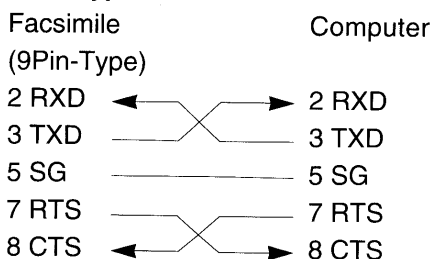
Use an RS-232C cable (not included) to make connection between the RS-232C connector of a computer and the RS-232C connector of the SFX-P500.

SFX-P500 - Computer connection

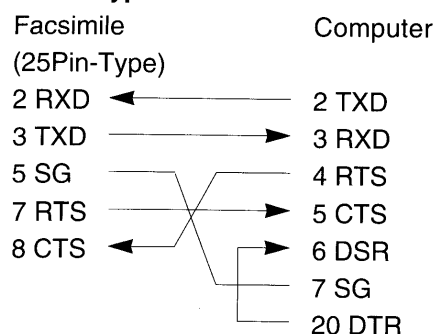
Pin assignment of the SFX-P500

Pin No.	Signal name	Signal direction SFX-P500---PC	Explanation
2	RXD	←	PC → SFX-P500 Command/Data
3	TXD	→	SFX-P500 → PC response code/Data
5	SG	---	Signal ground
7	RTS	→	Request to send
8	CTS	←	Clear to send

9Pin-Type



25Pin-Type



Note:

- Use the appropriate RS-232C cable by checking the pin assignment drawing.

Protocol

- SFX-P500 is only support EIA-578 (CLASS 1), no data modem is incorporated.
- Tx. and Rx. with HDLC support only 300BPS.
- Command can be accepted both capital and small letter.
- No "S" resister is incorporated. If the command is for "S" resister, only respond with OK.

Application Software

Use one of the following available types of application software on the computer: Symantec WinFax PRO 4.0, Sofnet FaxWorks 3.0, Phoenix ECLIPSE FAX 6.0 and Microsoft FAX. Other application software may not work with this equipment.

Setting the mode

Set this mode to use the SFX-P500 as a PC fax modem, PC scanner and PC printer.

How to set the mode

1. Press **MODEM/SCANNER**.

MODE SET ?

2. Press **SET**.

MODEM MODE

3. Press **MENU** to select the mode you required.
Each time the key is pressed, the display changes "MODEM MODE" - "SCANNER MODE" in order.

SCANNER MODE

MODEM MODE

To use as a PC fax modem.

SCANNER MODE

To use as a PC scanner and/or printer.

4. Press **SET**.

➔ A beep sounds.

How to set the BAUD RATE

1. Press **MODEM/SCANNER** twice.

BAUD RATE SET ?

2. Press **SET**.

2400 & 19200BPS

3. Press **MENU** to select baud rate.
Each time the key is pressed, the display changed "2400 & 19200BPS" - "19200BPS FIX" alternately.

19200BPS FIX

Baud rate setting depends on the PC application software you use.

See below;

- ECLIPSE FAX 6.0 ----- 19200BPS FIX
- FAX WORKS 3.0 ----- 2400 & 19200 BPS
- WINFAX PRO 4.0 ----- 2400 & 19200 BPS
- Microsoft FAX ----- 2400 & 19200 BPS

19200BPS FIX

Baud rate is fixed to 19200BPS.

2400 & 19200BPS

- Switch over to 19200BPS by CLASS 1 setting command (AT + FCLASS = 1).
- Switch over to 2400BPS by CLASS 0 setting command (AT + FCLASS = 0) or reset command (ATZ or AT&F).

4. Press **SET**.

➔ A beep sounds.

15 Jun.'97 12:00

Setting the Command to the Computer

Set the initial command to your computer before using the application software.

The initial commands which are required to run the application software are indicated in the users manual of the application software.

See the command list below which the SFX-P500 supports.

Command	Parameter	Function	Initial position
A	none	response to the call	
D	0-9, * #	Dial Code	
	P	Pulse Dial Set	
	T	Tone Dial Set	
	,	Pause	
E	0	Not return command error	E1
	1	return command error	
H	0	Hook ON	
M	0	Monitor speaker always OFF	M0
	1	Speaker is turned OFF by detecting carrier	
	2	Speaker is always ON	
	3	Speaker is OFF during dialing or after detecting carrier	
P	None	Pulse Dial set	
T	None	Tone Dial set	
V	0	Response Code with number	V1
	1	Response Code with Alphabet	
Z	None	Initialize machine setting	
&F	None	Return the machine to factory setting	
&K	1	RS/CS Flow control (Hardware flow control)	&K1
	2	XON / XOFF Flow control	
&L	0	MODEM Mode	&L0
	1	Scanner Mode	
	2	Scanner Mode Fix	
&W	None	Memorize the setting	
+FCLASS?	None	Indicate current service class of DCE	
+FCLASS=n	None	Setting service class of DCE	
+FRH=n	None	Receiving command of HDLC mode	
+FRM=n	None	Receiving command of normal mode	
+FRS=n	None	No signal detection (n x 10ms)	
+FTH=n	None	Transmission command of HDLC mode	
+FTM=n	None	Transmission command of normal mode	
+FTS=n	None	n x 10ms interval	

Commands which the SFX-P500 does not support (the operation which describes in Function column is not performed.)

Command	Parameter	Function	Response
A/	None	Re-perform previous command	ERROR
B	0	ITU-T mode selection	OK
	1	Bell mode selection	ERROR
DS	None	Dial the number automatically which is memorized in the Modem	ERROR
I	0-2	Indicate product code, check sum and etc. of the Modem	OK
L	0-3	Monitor speaker volume control	OK
Q	0	Return response code	OK
	1,2	Control response code	ERROR
Sr?	None	Read-out S register	OK
Sr=n	None	Write n in the S register	OK
W	0,2	Control connection	OK
X	0-4	Control response code	OK
Y	0	No disconnect the line with brake signal	OK
	1	Disconnect the line with brake signal	ERROR
&D	0-3	Operation control for ER	OK
&V	None	Indicate the setting status of the Modem	OK
¥S	None	Indicate Modem condition	OK
¥V	0	Not use the response code of extention connector	OK
	1,2	Use and set the response code of extention connector	ERROR
%R	None	Indicate internal condition of S register	OK

Confirming the application software works

After setting the command to your computer, confirm the application software works by scanning a document using the SFX-P500 and printing out the data of the computer. If the scanning and printing is disabled, then the initial command does not match between the SFX-P500 and application software. If the working is not disabled, change the setting initial command (AT&K1 or AT&K2) of the application software in the computer or baud rate setting of the SFX-P500.

How to confirm the application software works

First, set the mode to scanner mode. (see page 68.)

To scan the original document:

1. Place the original document face down. (see page 26.)
2. Operate the **manual reception procedure by your computer** following the instruction manual of the application software.
3. Confirm the application software works.

To print the data of the computer:

1. Operate the **transmission procedure by your computer** following the instruction manual of the application software.
2. Confirm the application software works.

Using as a PC fax modem

The use of the fax modem function of this equipment allows the user to send a document created by the user's computer directly to the facsimile of a particular destination. Also, the computer can receive from the other party's facsimile. First, set the mode of the SFX-P500 to function as a fax modem.

The transmission or reception is carried out by operating the application software on the computer.

For the operating procedure for transmission and reception by the computer, refer to the manual of the application software in use.

How to communicate as a PC fax modem

First, set the mode to modem mode. (see page 68.)

1. Send a document created by the computer by operating the application software. Alternatively, facsimile data sent from the party of destination is received by the computer.

The display on the SFX-P500 shows below during the communication through the computer.

Transmission: ** TRANSMISSION **

Reception: ** RECEIVING **

Note:

- The SFX-P500 should be set manual reception mode.
- The incoming ring is applied to the SFX-P500 while the equipment is in the modem mode, and the ring code responds to the computer.
When the SFX-P500 is set to auto reception mode, the reception is controlled by the SFX-P500, and the computer is not involved.
- If the computer does not respond to the ring code sent SFX-P500, for example, the RS-232C cable does not connected to the computer, the SFX-P500 rings until the handset is picked up. After the handset is picked up and CNG (facsimile calling signal) is detected, the SFX-P500 releases the fax tone to the caller and initiates fax reception.
- The operation of the facsimile equipment is disabled during the transmission or reception by the computer.

Using as a PC scanner

This SFX-P500 also can be used as a scanner.

How to use the scanner mode

First, set the mode to scanner mode. (See page 68.)

1. Place the original document face down. (See page 26.)

STD	NORMAL
-----	--------

2. Select a resolution and contrast/halftone mode if necessary. (See page 26.)

- When "SUPER" is selected for scanning, the resolution is automatically set to "FINE".

STD	NORMAL
-----	--------

3. Operate the manual **reception procedure by your computer** following the instruction manual of the application software.

Note:

- The operation of the facsimile equipment is disabled when scanning the original document by the computer.

Using as a PC printer

A document created by the computer and received data into the computer can be printed by the printer of the SFX-P500 via RS-232C.

How to use a PC printer

First, set the mode to scanner mode. (See page 68.)

1. Operate the transmission procedure by your computer following the instruction manual of the application software.

Note:

- Facsimile functions are unavailable when printing the data via RS-232C.
- When the display shows "CHECK PAPER !" when printing because the recording paper jams, the recording paper is not feeding, or there is no recording paper in the recording paper stacker, install or replace the recording paper, or remove the jammed recording paper and press **PRINTER RESET**. Then repeat the operation to print out the data. (the data in the print buffer memory is canceled by pressing **PRINTER RESET**.)

Memory reception transfer function

The fax messages received in memory can be transferred to PC memory (Need to have connected RS232C lead & installed PC fax software).

Operating

1. Press **MODEM/SCANNER**.

MODE SET ?

2. Press **SET**.

MODEM MODE

3. Press **MENU** to switch "SCANNER MODE".

SCANNER MODE

4. Press **SET**.

➔ A beep sounds.

15 Jun.'97 12:00

5. Perform manual reception operation by PC.

The messages stored in memory
is transferred to PC.

IMPORTANT: Do not insert any document in ADF.

Notes:

- The data transferred to PC is automatically erased by page from the SFX-P500 memory.
- Only the data received as a memory reception can be transferred. No fax transfer message stored in memory is transferred.

Setting feature switches

The SFX-P500's various feature switches were factory set to standard (default) settings before the unit was shipped to you. To provide you with more choices, the SFX-P500 allows you to change these feature switch settings.

The feature switches and their functions are listed on pages 78-80.

To change feature switch setting:

- | | |
|--|-------------------|
| 1. Press MENU 8 times. | 8 : SET MODE ? |
| 2. Press SET . | 1 : TIME SET ? |
| 3. Press MENU twice. | 3 : FEATURE SW. ? |
| 4. Press SET . | (00) DIAL MODE |
| 5. Enter the number of the switch you want to change.
Example: 06 Number of automatic redial | (06) AUTO REDIAL |
| 6. Press SET . | 2 TIMES (02) |
| 7. Enter the code of your choice.
Example: 03 3 times | 3 TIMES (03) |
| 8. Press SET .
Repeat steps 5-8 to make additional changes (as required). | (07) No. OF RINGS |
| 9. Press STOP twice. | 15 Jun.' 97 12:00 |

- To print out a feature switch setting list, press **COPY** after pressing **MENU** twice at step 3.
- To interrupt the feature switch setting procedure, press **STOP** twice.

Sample of feature switch list

```

* * * FEATURE SW. LIST * * *
15 Jun.'97 12:00 ABCDE 123456

```

No.	SWITCH NAME	SET CODE	INITIAL SET
[00]	DIAL MODE	(01) 10PPS	(01) 10PPS
[05]	TIMER REDIAL	(03) 3 TIMES	(03) 3 TIMES
[06]	AUTO REDIAL	(02) 2 TIMES	(02) 2 TIMES
[07]	No. OF RINGS	(00) SHORT RING	(00) SHORT RING
[08]	REMOTE Rx.	(33) 33	(33) 33
[09]	F/T SW. OVER	(00) OFF	(00) OFF
[10]	MELODY	(01) GREENSLEEVES	(01) GREENSLEEVES
[13]	POWER SAVE	(01) ON	(01) ON
[16]	VOICE PROMPT	(01) ON	(01) ON
[17]	KEY SOUND	(02) HIGH	(02) HIGH
[20]	HEADER PRINT	(01) ON:OUTSIDE	(01) ON:OUTSIDE
[21]	FOOT PRINT	(00) OFF	(00) OFF
[23]	PAPER	(00) A4	(00) A4
[24]	ECM	(01) ON	(01) ON
[26]	SELECTIVE Rx	(00) OFF	(00) OFF
[27]	RESOLUTION	(03) NOT RETURN	(03) NOT RETURN
[28]	CONTRAST	(03) NOT RETURN	(03) NOT RETURN
[31]	Tx. REPORT	(00) OFF	(00) OFF
[32]	TIMER REPORT	(00) OFF	(00) OFF
[33]	T-POLL. RPT.	(00) OFF	(00) OFF
[35]	B.C REPORT	(00) OFF	(00) OFF
[36]	HALFTONE	(01) HIGH QUALITY	(01) HIGH QUALITY
[50]	COPY RATIO	(01) 97%	(01) 97%
[54]	AUTO PROG.	(01) ON	(01) ON
[55]	Rx. RATIO	(01) 90%	(01) 90%
[57]	PARALLEL TEL	(00) OFF	(00) OFF

- When the display shows "CHECK PAPER !" during printing because the recording paper jams, the recording paper is not feeding, or there is no recording paper in the recording paper stacker, install or replace the recording paper, or remove the jammed recording paper and press **PRINTER RESET** to print out the list.

Feature switch list

Switch No.	Setting items	Setting No.	Description	Factory setting
00	Dialing method	00 01	TONE PULSE	01
05	Number of redial attempts after timer transmission/ timer polling attempt. (3-4 minute intervals)	00 01 02 03	OFF (No redial) 1 time 2 times 3 times	03
06	Number of automatic redial attempts after regular transmission attempt using manual, one-touch or speed-dialing/polling reception attempt. (2-3 minute intervals)	00 01 02 03	OFF (No redial) 1 time 2 times 3 times	02
07	Number of rings the SFX-P500 issues before connecting to the line when the SFX-P500 is set to the AUTO mode.	00 01 02 03 11	Short ring 1 time 2 times 3 times 11 times	00
08	Remote receiving capability	00 10 99	OFF ON (2-digit remote reception activation number)	33
09	The simulated rings that the SFX-P500 issues after connecting to the line during the AUTO reception mode, but before switching to fax reception mode for an incoming manual fax (or voice call).	00 01 02 03 04 05	OFF (No rings/No auto switching) 3 times (Auto switching) 5 times (Auto switching) 7 times (Auto switching) 9 times (Auto switching) 11 times (Auto switching)	00
10	Music on hold	00 01	Silence (No music) Greensleeves	01
13	Power save	00 01	OFF ON	01
16	Voice response	00 01	OFF ON	01
17	Key operation beeps	00 01 02	OFF ON (LOW) ON (HIGH)	02

Switch No.	Setting items	Setting No.	Description	Factory setting
20	Header print Determines whether your station name, fax number and date/time are printed on the header of the receiver.	00 01 02	OFF ON (outside of original) ON (inside of original)	01
21	Foot print Determines whether the other party's station name is printed on the footer of the received paper.	00 01	OFF ON	00
23	Recording paper selection	00 01 02	A4 Letter Legal	00
24	Stand-by position of the ECM (Error Collection Mode) setting	00 01 02	OFF ON Not return	01
26	Selective reception	00 01 02	OFF ACCEPT REFUSE	00
27	Stand-by position of the resolution mode	00 01 02 03	STANDARD FINE SUPER Not return	03
28	Stand-by position of the contrast mode	00 01 02 03	NORMAL LIGHT HALF TONE Not return	03
31	Transmission report (See page 28.)	00 01 02	OFF (No report issued) ON (after each transmission) ON (when an error occurs)	00
32	Timer transmission report	00 01 02	OFF (No report issued) ON (after each timer transmission) ON (when an error occurs)	00
33	Timer polling report (See page 52.)	00 01 02	OFF (No report issued) ON (after each timer polling reception) ON (when an error occurs)	00
35	Broadcasting report	00 01	OFF ON	00

Switch No.	Setting items	Setting No.	Description	Factory setting
36	Halftone quality (NORMAL)	00 01	FASTER HIGH QUALITY	01
50	No-reduction copy mode selection	00 01	100% 97%	01
54	Auto progress	00 01	OFF (need to press START/MEMORY key for manual transmission and reception.) ON (no need to press START/MEMORY key for manual transmission and reception.)	01
55	The compression percentage of reception	00 01 02 03	100% 90% 84% 70%	01
57	FAX/TEL parallel connection (for remote reception)	00 01	OFF ON	00

Selective reception

This feature allows you to restrict reception to certain parties. Using the feature switch No. 26, you can select either ACCEPT mode, REFUSE mode or OFF. (The initial factory-set position is OFF.) See pages 76-77 and 79.

Accept

Reception is possible only when the other party's fax number is programmed in the one-touch or speed dial memory of your SFX-P500.

- If a fax arrives from other numbers than those programmed in the memory of your unit, the SFX-P500 will disconnect from the line after the display shows "RECEIVING".
- If a party's fax machine does not have a station identification feature or the station number has not been programmed in their fax machine, no faxes will be received from this number (even if the number is programmed in your unit).

Refuse

The SFX-P500 allows you to create a Refuse list and store up to 20 fax numbers in its memory. The SFX-P500 will not receive faxes sent from the parties whose numbers preprogrammed in the Refuse list.

- The Refuse feature checks the last 4 digits of a number.
- When the Refuse mode is selected, the SFX-P500 will not receive faxes from any party whose unit has no station identification feature or whose number is not programmed in their unit.

Programming the Refuse list

1. Press **MENU** 8 times.

8 : SET MODE ?

2. Press **SET**.

1 : TIME SET ?

3. Press **MENU** 4 times.

5 : REFUSE LIST ?

4. Press **SET**.

1 : SET 2 : DELETE

5. Press **SET**.

(01) ■ : SET

6. Press **MENU** to select a Refuse list number from 01 to 20.
 • The number display scrolls one at time as you press **MENU**.

(01) ■ : SET

7. Enter the last 4 digits of the number you want to refuse.

Example: 1234

(01) 1 2 3 4 : SET

8. Press **[SET]**.

➔ A beep sounds.

• To program other numbers, repeat steps 6-8.

(01) 1234 :SET

9. Press **[STOP]** twice to return to stand-by mode.

15 Jun.'97 12:00

- If you make a mistake when entering the number, press **[DELETE]** and then re-enter the correct number.
- When a caller whose name is programmed in your Refuse list calls you, the SFX-P500 rings and you can talk to the caller.
- To turn off selective reception feature, change the feature switch No. 26 setting to OFF.

To change a number programmed in the Refuse list:

1. Operate steps 1-5 above.
2. Press **[MENU]** to select the Refuse list number you want to change.
3. Press **[DELETE]**.
4. Enter the new 4 digits.
5. Press **[SET]**.
➔ A beep sounds.
6. Press **[STOP]** twice.

To delete a number programmed in the Refuse list:

1. Operate steps 1-4 of the programming procedure.
2. Press **[MENU]** to select "2:DELETE".
3. Press **[SET]**.
4. Press **[MENU]** to select the Refuse list number you want to delete.
5. Press **[SET]**.
➔ A beep sounds. Repeat steps 4-5.
6. Press **[STOP]** twice.

Diagnostic codes appearing on report

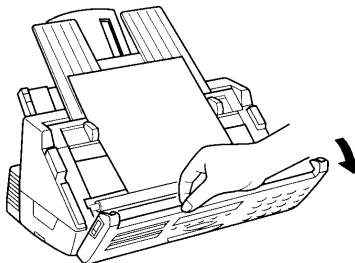
The codes shown below appear on the activity and transmission reports to help you diagnose any problems quickly and accurately.

ERROR CODE	DESCRIPTION
OK:	<ul style="list-style-type: none"> • Transmission/reception satisfactory.
10:	<ul style="list-style-type: none"> • No response from other party. Contact other party to make sure other machine is ready to receive.
12:	<ul style="list-style-type: none"> • No response.
19:	<ul style="list-style-type: none"> • The memory overflows when reception is carried out.
20:	<ul style="list-style-type: none"> • STOP key pressed during transmission/reception.
21:	<ul style="list-style-type: none"> • Original document jammed. Remove and replace correctly.
22:	<ul style="list-style-type: none"> • The number of originals sent was different from the number of originals entered for page numbering.
27:	<ul style="list-style-type: none"> • Timer transmission/timer polling reception and broadcasting transmission are canceled or no original inserted for timer transmission.
29:	<ul style="list-style-type: none"> • Power was turned off during broadcasting transmission.
30's	<ul style="list-style-type: none"> • Printing quality poor due to poor telephone line connection. If this code appears frequently, contact an authorized Sanyo service center.
40's	<ul style="list-style-type: none"> • Other party's fax machine in abnormal condition (no recording paper, etc.). Contact the other party.
50's:	<ul style="list-style-type: none"> • Transmission was halted by the other party or their fax machine. (Line was disconnected during transmission/reception.)
60's:	<ul style="list-style-type: none"> • Communication impossible due to poor telephone line.
70's:	<ul style="list-style-type: none"> • Communication impossible due to compatibility problems. Contact other party. Also make sure feature switch No. 26 position.

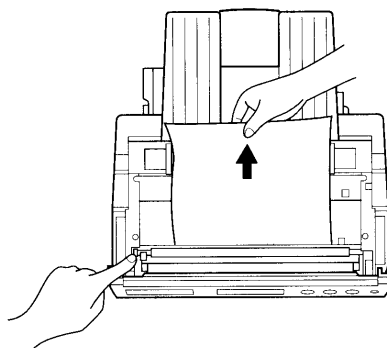
Jammed original

The display shows "ORIGINAL JAM" if an original is jammed.
(If the ERROR lamp lights when the original jams, press **STOP** before operating below.)

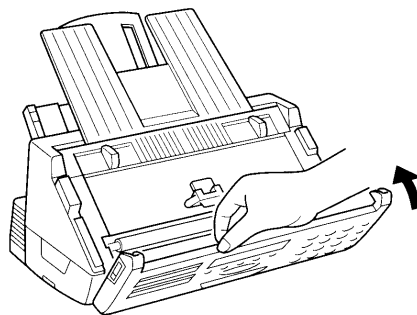
1. Open the operation panel forward.



2. Remove the jammed original while pressing the green release lever.



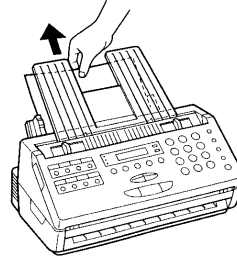
3. Close the operation panel.



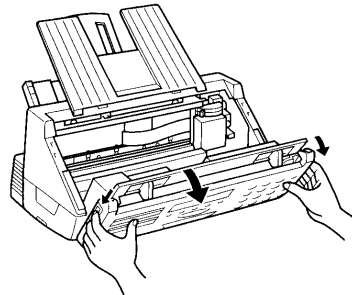
Jammed recording paper

If a recording paper jam occurs, the display shows "CHECK PAPER!". Follow these steps to clear the recording paper jam.

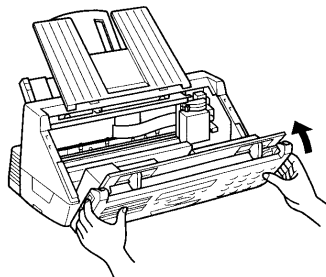
1. Gently pull out the sheet of paper.



2. If the paper tears, leaving part of the sheet inside the unit, open the transmission unit as shown in the figure and remove the paper from inside the unit.
 - Avoid letting the paper touch the printing head of the ink cartridge.
 - Check the platen for ink stains. If the ink cartridge has printed directly on the platen and stained it, follow the procedure on page 88 to clean the platen.



3. Close the transmission unit.



4. Press **PRINTER RESET**.
 - ➔The SFX-P500 returns to stand-by mode.
 - If the received document is in memory, the SFX-P500 prints out the data automatically.

Cleaning

Cleaning the housing (exterior plastic parts)

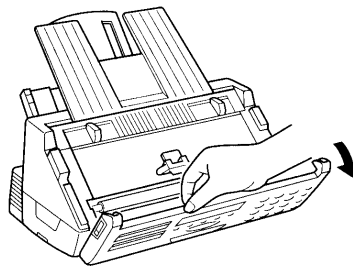
Gently wipe the housing with a soft, clean cloth dampened with a small amount of a neutral detergent.

- Do not use a cleaning agent such as alcohol or benzene.

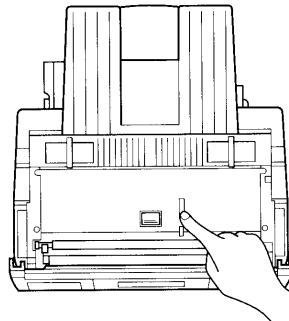
Cleaning the document feed roller 1 and 2

If a streak or dirty pattern appears on a copy or a fax you have sent, clean the document feed roller 1 and 2 with a soft, clean cloth dampened with a small amount of neutral detergent.

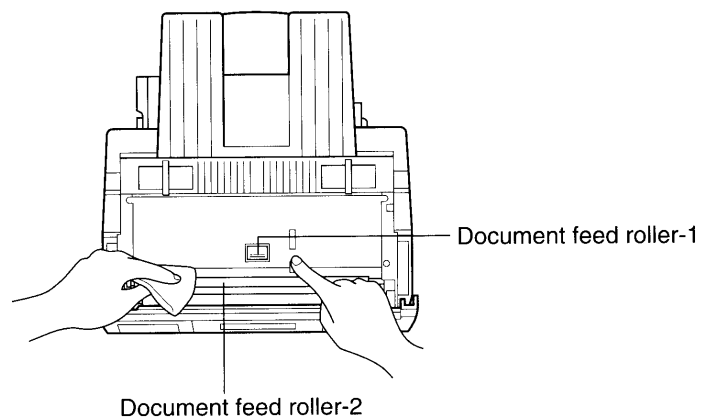
1. Open the operation panel.



2. In order to rotate the document feed roller 1 and 2, press **STOP** during pressing the document sensor as shown in the figure.



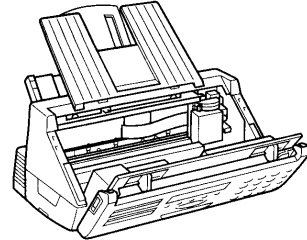
3. Clean the document feed roller 1 and 2. Then dry it thoroughly to prevent the document from jamming.



Cleaning the printer area

Be very careful when cleaning the printer area. Follow these steps:

- Do not use any oil or cleanser inside the printer.
- Use a soft cloth to clean the printer; do not use paper towels or tissues.
- Do not submerge the printer in water.



1. Clean the inside of the unit using canned air pressure or a dry, soft cloth to remove any ink mist or paper debris.
2. Clean the exterior of the unit with a soft cloth moistened with water. Clean any smudges or dust.

Caution:

- Do not clean the exterior of the printer with volatile liquids, such as thinners or benzine, or any other spray-type or chemical cleaners. Chemicals may damage the surface of the printer.
- When cleaning inside the printer, avoid the area near the print head on the ink cartridge. Do not touch the print head. Ink may leak out and cause stains.

Clean a dirty platen


When a jam occurs and the paper does not feed correctly to the printer, the ink cartridge may print directly on the platen. This ink on the platen may stain the back of your paper. Follow this procedure to clean ink stains from the printer platen.

1. Load recording paper in the sheet feeder.
2. Place the original document face down.
3. Press **COPY** to feed a sheet of paper and start cleaning the platen.
4. If the platen is still not clean, repeat this procedure.

Troubleshooting

Fax portion

If problems occur during operation, check below before taking the unit for service. If the problem cannot be corrected, contact the dealer from whom the unit was purchased.

	Symptoms	Possible causes/Solutions	Page
General	Unit does not operate.	AC plug may not be connected to electrical outlet.	8
	The display indicates PRINTER ERROR !	Recording paper may not be set properly.	12
		Recording paper may not be in the sheet feeder.	12
	Document cannot be inserted.	Document may be too thin or too thick.	25
Another document may be jammed inside. Open operation panel and remove jammed document.		84	
Transmission	Transmission is not possible.	Document may not be inserted enough into the slot.	26
		Recording paper may have run out on receiving unit.	–
		Receiving unit may be set for manual reception.	–
Reception	Reception is not possible. (Bell rings.)	Unit may be set for manual reception. Lift the handset of extension phone or press  and press START/MEMORY key.	45
		AC cord may not be connected.	8
		Recording paper may not be in the sheet feeder or the ink cartridge may be exhausted.	9,12
	Reception is not possible.	Selective reception may be on. Check feature switch No. 26.	79, 81
		Recording paper may not be in the sheet feeder or the ink cartridge may be exhausted.	9,12
	Received copy is not clear.	The ink cartridge may be exhausted.	9
		INK SAVE key may be set to ON.	6, 43
	Received copy is blank.	Ink cartridge may be exhausted. Install a new ink cartridge and press PRINTER RESET . The received document is printed out automatically.	9
		Ink cartridge may not be set properly. Re-install a new ink cartridge properly and press PRINTER RESET . The received document is printed out automatically.	9
		Transmitted original may have been upside-down.	26
	Received copy contains illegible/distorted characters.	Phone connection may have been poor. (If problem continues, contact dealer.)	–
White line or lines on the received copy. (missing print)	Ink cartridge may not be installed properly. Reinstall the ink cartridge.	9	

	Symptoms	Possible causes/Solutions	Page
Error Lamp	Error lamp lights.	Press STOP to turn off the ERROR lamp.	5
Phone Call	No dial tone when handset is picked up.	Telephone line may not be connected properly.	7
	Sound from speaker is too low.	Monitor volume switch may be set to "L". Set to "M" or "H".	3
	Fax/Phone call does not connect to other party.	Wrong dialing mode may be set.	8
Extension Phone	Impossible to place phone call.	Fax possibly being transmitted or received.	-
	Telephone does not ring.	Too many phones may have been connected to the same line.	7
	Remote reception does not work (in series connection).	Remote reception feature switch No. 08 may have been set to off.	48, 78
		If you have initiated the call from the extension phone, remote reception will not work.	48
	Remote reception does not work (in parallel connection).	FAX/TEL parallel connection feature switch (No. 57) may have been set to off.	48, 80
		If you have initiated the call from extension phone, remote reception will not work.	-

Printer portion

Paper loading problems

This section contains problems and solutions related to loading paper into the SFX-P500. Locate the problem you are having, and follow the steps in the order listed.

Paper does not load into the sheet feeder

Make sure the paper selection lever (on the right side of the sheet feeder) is set to the back position.

Multiple sheets load into the printer

1. Make sure the paper is not sticking together. Be sure to fan the stack of paper before placing it in the sheet feeder.
2. Make sure that the paper selection lever is set to the back position for loading paper.
3. Make sure you have not stacked too many sheets of paper in the sheet feeder
Try removing a few sheets of paper from the sheet feeder.
4. If the sheet feeder contains different types of paper, try loading just one type of paper.

Paper is loaded skewed (slanted), or printing is skewed (slanted)

Make sure the stack of paper is straight in the sheet feeder. Also, make sure the right side of the stack of paper is aligned against the right side of the sheet feeder and the left side is aligned against the paper guide.

Print quality problems

If your print quality is not what you expect it to be, check the following list for your problem and a possible remedy, or follow the suggestions on the next page.

Print results	Most probable cause	Remedy
Smudged	Paper type	Try a different paper type
Blurred	Paper type	Try a different paper type
Fading	Print head is clogged or out of ink	Clean the print head or replace the ink cartridge
White streaks	Print head is clogged	Clean the print head
Dots missing	Print head is clogged	Clean the print head
Irregular dots	Print head is clogged	Clean the print head

Print density is low

- When using as facsimile machine.

When **INK SAVE** key is set to ON (the ink save lamp is lit), the printing is a half of ink consumption and light. Press **INK SAVE** key to set OFF.

- When using as Parallel Printer

When the print quality is set to Draft Quality by your computer, the setting uses less ink than all the other print qualities.

Set the print quality to High Quality (HQ) or Excellent Quality before printing.

Print is not clear

Paper has a correct side for printing. If the print quality is not as clear as you would like it to be, try turning the paper over and printing on the other side. Also, make sure the paper thickness lever (inside the printer) is set for your paper type.

Blurred or smudged characters

If the printed characters are blurred or smudged, make sure you are using the recommended paper. Also, make sure the paper thickness lever (inside the printer) is set for your paper type.

Smudges on back of printed page

If ink happens to get on the printer's platen, the back side of the printed page will have smudge marks. If this occurs, clean the platen by feeding a few sheets of paper through the printer.

Irregular print quality

If white streaks appear on the printed page, or dots are missing on the printed output, clean the print head.

To clean the print head, unplug the AC cord and plug it again. Then, the SFX-P500 will clean the print head automatically before starting the printing when the printing operation is performed.

Note:

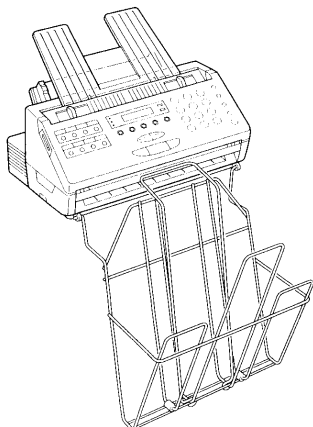
When you unplug the AC cord after the SFX-P500 stores received data in the memory, the stored data is lost.

Specifications

Model	SFX-P500
Type	Desk-Top type transceiver
Line connected	Public switched telephone network
Recording paper	Plain paper Size: A4, Letter, Legal Capability: Total 100 sheets
Effective scanning width	208 mm (8.2")
Effective recording width	203 mm (8")
Transmission speed	9600/7200/4800/2400 BPS
Main scanning density	8 pels
Transmission time	Super fine mode : Approx. 80 sec. Fine mode : Approx. 40 sec. Standard mode : Approx. 20 sec.
Sub scanning density	Standard mode : 3.85 lines/mm Fine mode : 7.7 lines/mm Super fine mode : 15.4 lines/mm
Compression method	MH and Sanyo original
Reading method	Flat-bed by Contact Image Sensor
Recording method	Ink jet
Power supply	AC 230V, 50Hz
Power consumption	Stand-by(Power save ON) : 2.6W, Transmission: 16W, Reception: 19W, Stand-by(Power save OFF): 6W, Copy: 29W
Overall dimensions	365(W) x 188(H) x 290(D) mm 14.4"(W) x 7.4"(H) x 11.4"(D)
Weight	Approx. 5.4 kg (11.9 lbs)
Ambient temperature	5°C-35°C (41°F-95°F)

Optional accessories

Product name	Product number
Exit tray	FXP-TY10



Exit tray (FXP-TY10)

GUARANTEE TO CUSTOMER

Sanyo U.K. Sales Ltd. (the Company) guarantees to the initial retail purchaser that if this equipment is or becomes defective and that, in the opinion of the Company, the defect is due to faulty material or workmanship the Company will, for a period of 12 calendar months from the date of sale to the original purchaser repair or replace, at its sole option, free of charge, any such defective component part of the equipment, always provided that:-

1. The equipment has at all times been used in accordance with the operating instructions issued by the Company, and has not been connected to an electrical mains supply for which it has not been adjusted.
 2. Accidental damage, or damage caused by negligence or misuse by the user, including leakage from exhausted batteries, is specifically excluded.
 3. Unauthorised repairs, or any modification to the equipment which has not been expressly approved by the Company, shall render this guarantee null and void.
 4. Failure due to fair wear and tear of any item, such as batteries, record playing styli, and tape recording, playback and erase heads and head cleaning is specifically excluded.
-

This guarantee is not transferable and is only applicable within the United Kingdom.
Nothing in this express guarantee affects the statutory rights available to the purchaser of this equipment.

DEAR CUSTOMER

Thank you for buying Sanyo. This equipment should give you many years of pleasure and faithful service but in the event that a fault occurs, the following notes for your guidance may be helpful:-
PLEASE RETAIN YOUR PURCHASE RECEIPT WHICH WILL BE REQUIRED FOR SERVICE DURING GUARANTEE.

FACSIMILE SERVICE AGREEMENT

Your Sanyo fax machine is covered by an on-site repair service valid for one year from date of purchase. Should you experience a problem with your fax please contact the Sanyo Help Desk on the number below for assistance.
This is applicable to UK and Northern Ireland only.

Sanyo Help Desk: 01234 242256

Sanyo U.K. Sales Ltd.
Sanyo House Otterspool way, Watford, Hertfordshire WD2 8JX Tel: Watford 246363

MEMO

WinFax PRO, FaxWorks, ECLIPSE FAX and Microsoft FAX are trademarks or registered trademarks of Symantec Corporation, Softnet, Inc., Phoenix Technologies, Ltd., and Microsoft Corporation respectively.



SANYO Electric Co., Ltd.
Printed in Japan

3RN6P11000150

Free Manuals Download Website

<http://myh66.com>

<http://usermanuals.us>

<http://www.somanuals.com>

<http://www.4manuals.cc>

<http://www.manual-lib.com>

<http://www.404manual.com>

<http://www.luxmanual.com>

<http://aubethermostatmanual.com>

Golf course search by state

<http://golfingnear.com>

Email search by domain

<http://emailbydomain.com>

Auto manuals search

<http://auto.somanuals.com>

TV manuals search

<http://tv.somanuals.com>