

# SUBMITTAL SHEET



AIRCONDITIONING PRODUCTS

SYSTEM INDOOR/OUTDOOR  
**18KHS22** KHS1822/CH1822  
 WALL MOUNTED HEAT PUMP

SS18KHS22-1

## GENERAL DATA (AT 230V)

POWER V/PH/Hz	230-208/1/60				
Circuit Ampacity, Min. (A)	30				
Fuse size, Max. (A)	30				
COMPRESSOR	Rotary-Hermetic				
No. used	1				
R.L. Amps - L.R. Amps (A)	7.1 - 52.0				
Crankcase Heater (W)	30				
OUTDOOR FAN - TYPE	Propeller				
Dia. (in.) - No. used	15 3/4 - 1				
Type Drive - No. speeds	Direct - 2				
No. Poles - RPM (High)	6 - 1,020				
No. Motors - HP	1 - 1/12				
CFM (High)	1,190				
F.L. Amps. (A)	0.5				
OUTDOOR COIL - TYPE	Aluminum Fin & Copper Pipe				
Fin Type - Pipe Type	Slit Plate - Inner Riffled				
Rows - F.P.I.	2 - 15.9				
Face Area (sq.ft.)	5.34				
Tube Size (in.)	3/8				
INDOOR FAN - TYPE	Cross - Flow				
Dia. & Length (in.) - No. used	4 & 30-1				
No. speeds	3 & Auto				
No. Poles - RPM (High)	4-1,600				
No. Motors - HP	1 - 1/75				
CFM (HI/MED/LOW)	440/380/320				
F.L. Amps (A)	0.4				
INDOOR COIL - TYPE	Aluminum Fin & Copper Pipe				
Fin Type - Pipe type	Slit Plate - Inner Riffled				
Rows - F.P.I.	2 - 14.1				
Face Area (sq. ft.)	2.08				
Tube Size (in.)	3/8				
Drain Connection Size (in.)	1 - 1/4				
REFRIGERANT	R22				
Lbs. - R22 (O.D. Unit)	4.25				
Control	Capillary Tube				
Connection	Flare				
Line Length, Max (ft.)	65				
Lift difference, Max (ft.)	23				
Line Size - in. O.D. Discharge	1/4				
Line Size - in. O.D. Suction	5/8				
DIMENSIONS (in.)	H	x	W	x	D
Indoor Unit -Uncrated	14- 3/16	x	39	x	7-13/16
-Crated	18	x	42-17/32	x	10-23/32
Outdoor unit -Uncrated	24-13/16	x	32-11/16	x	12-13/32
-Crated	28- 3/32	x	39- 5/32	x	16- 9/32
WEIGHT	INDOOR	OUTDOOR			
Net (lbs.)	29.8	134.5			
Shipping (lbs.)	37.5	143.3			
Shipping Volume (cu.ft.)	4.8	10.3			

## PERFORMANCE DATA @ ARI STANDARD CONDITIONS (230/208V)

COOLING		
Total Capacity (BTU/H)	16,500/16,000	
Sensible Capacity (BTU/H)	10,390/10,060	
Latent Capacity (BTU/H)	6,110/5,940	
SEER	10.0/10.0	
Dehumidification (Pints/H)	5.3/5.2	
Amps (A)	8.0/8.6	
Power Inputs (W)	1,810/1,760	

HEATING		
Total Capacity (BTU/H)	18,000/17,600	
HSPF	6.8/6.8	
Amps (A)	8.0/8.6	
Power Inputs (W)	1,810/1,760	
Back-up Strip Heater (KW)	1.80/1.47	
Outdoor Sound Rating (bels)	7.8	

## FEATURE

Controls	Microprocessor
Remote Controller	LCD Wireless type
Temperature Control	IC Thermostat
Timer	ON/OFF, 24 hours
Night Setback	Built-In
Air Louve (Horizontal)	Manual
(Vertical)	Automatic
Power Failure Automatic Restart	Built-In
Self Diagnosis	Built-In
Heating/Cooling Automatic Changeover	Built-In

## OPTION

Refrigerant Line Set	AP2507BH (20 ft)
	AP2510BH (30 ft)
	AP2515BH (50 ft)
Low Ambient Control	N/A
Fresh Air Intake	N/A
Central Remote ON-OFF Control	Available
Air duct Extension	N/A
Indoor Frame Extension	PLB 182
Condensate Drain Pump	Available
Non-Removable Remo-con Bracket	Available

## OPERATING RANGE

Cooling	Indoor Air	Outdoor Air
	Intake Temp.	Intake Temp.
Maximum	95 F DB/71 F WB	115 F DB
Minimum	67 F DB/57 F WB	67 F DB
Heating	Maximum	80 F DB/67 F WB
	Minimum	- F DB/ - F WB
		75 F DB / 65 F WB
		17 F DB/ 15 F WB

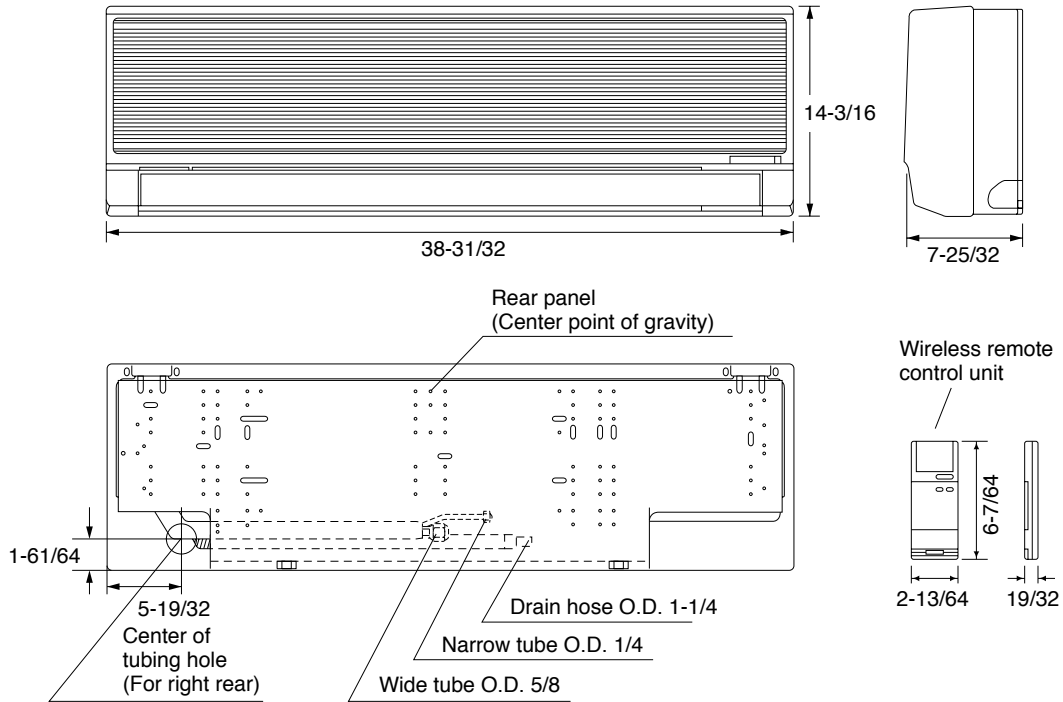
## CERTIFICATION



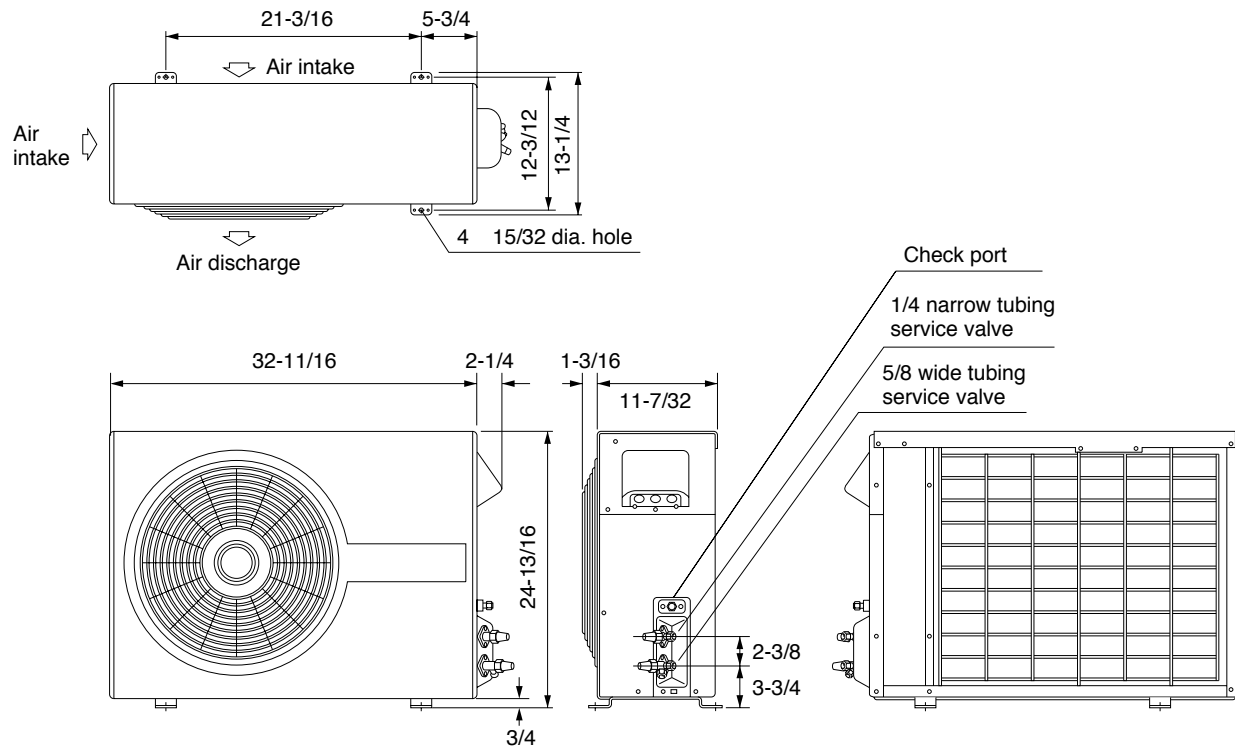
18KHS22

# DIMENSIONAL DATA

## Indoor Unit: KHS1822



## Outdoor Unit: CH1822



### WARRANTY

SANYO products are warranted against defects in materials and workmanship for the period below;

	LABOR	PARTS
Compressor	30 Days	5 Years
Other Components	N/A	1 Year

Full specific warranty rights, conditions, exclusions and obligations are specified in the warranty packed with each products.

Because of a policy of continuous product improvements, SANYO reserves the right to change specifications and design without notice.

**SANYO FISHER COMPANY**  
 A Division of SANYO North America Corporation  
 21605 Plummer St. Chatsworth, CA 91311  
 Phone : (818) 998-7322  
 Fax : (818) 701-4160  
 Website: <http://www.sanyohvac.com>

## Free Manuals Download Website

<http://myh66.com>

<http://usermanuals.us>

<http://www.somanuals.com>

<http://www.4manuals.cc>

<http://www.manual-lib.com>

<http://www.404manual.com>

<http://www.luxmanual.com>

<http://aubethermostatmanual.com>

Golf course search by state

<http://golfingnear.com>

Email search by domain

<http://emailbydomain.com>

Auto manuals search

<http://auto.somanuals.com>

TV manuals search

<http://tv.somanuals.com>