

# ECO-i™ Submittal Data



Building Life.

**CHX05252**

**Heat Pump: 52,000 btu VRF Outdoor Unit**

Job Name: \_\_\_\_\_  
 Location: \_\_\_\_\_  
 Engineer: \_\_\_\_\_  
 Submitted to: \_\_\_\_\_  
 Submitted by: \_\_\_\_\_  
 Reference: \_\_\_\_\_

Approval: \_\_\_\_\_  
 Date: \_\_\_\_\_  
 Construction: \_\_\_\_\_  
 Unit #: \_\_\_\_\_  
 Drawing #: \_\_\_\_\_



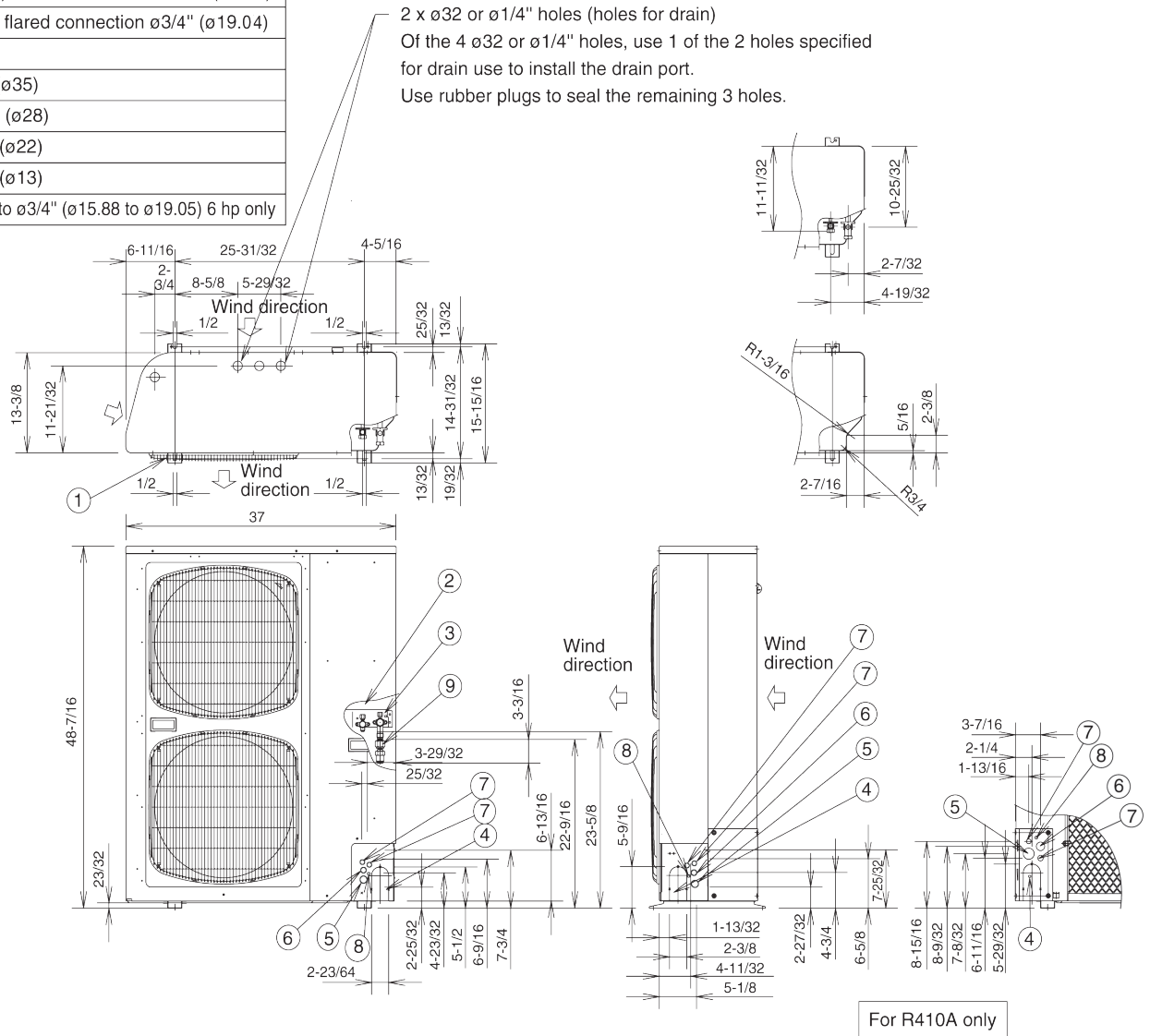
**Compressor Warranty: 6 Years**  
**Parts Warranty: 1 Year**  
**Coil Coated to Protect Against Corrosion**  
**Salt Protection also available**



<b>Capacities:</b>	<b>Power Input</b>	<b>Ducted</b>	<b>Non-Ducted</b>	<b>Mix</b>	<b>Fan</b>	
Cooling: Btu/h	4.57 KW	51,500	52,000	51,500	Quantity/Type:	2 Propeller
SEER		14.6	17.3	16	Fan Motor Output (KW):	90
Heating: Btu/h	4.58 KW	57,500	58,000	58,500	<b>Power Supply</b>	
HSPF		7.7	9.5	8.6	V/PH/Hz.	208-230 / 1 / 60
<b>Cooling Mode Nominal Conditions</b>					Minimum circuit Amps (MCA): Amps	29
Indoor: °F DB/°F WB				80/67	Max. Overcurrent Protection (MOCP):	50
Outdoor: °F DB				95	<b>Weight (lbs):</b>	229
Pipe Length (feet):				25	<b>Refrigerant:</b>	410A
Level Difference (feet):				0	<b>Coil</b>	
<b>Heating Mode Nominal Conditions</b>					Coil Face Area (sq. ft.):	11.7
Indoor: °F DB				70	Number of Rows:	3
Outdoor: °F DB/ °F WB				47/43	<b>Protection Devices</b>	
Pipe Length (feet):				25	High Pressure Switch:	Yes
Level Difference (feet):				0	Overcurrent (CT Method):	Yes
<b>Operating Range</b>					Crankcase Heaters (W):	30
Cooling: °F DB:				14 to 109	<b>External Finish:</b>	Electrostatic Powder Coating
Heating: °F WB:				-4 to 59		
<b>Compressor</b>						
Quantity/Type:				1 Inverter driven rotary		
Capacity Control Range:				10-100%		
Starting Amps:				1		

# → Dimensions

- |   |   |
|---|---|
| ① | Installation anchoring hole (4-R6.5 or R1/4"), anchor bolt: M10 or 13/32"                       |
| ② | Refrigerant tubing (liquid tube), flared connection $\phi 3/8"$ ( $\phi 9.52$ )                 |
| ③ | Refrigerant tubing (gas tube), flared connection $\phi 3/4"$ ( $\phi 19.04$ )                   |
| ④ | Refrigerant tubing port   |
| ⑤ | Electrical wiring port $\phi 1-3/8"$ ( $\phi 35$ )  |
| ⑥ | Electrical wiring port $\phi 1-7/64"$ ( $\phi 28$ )   |
| ⑦ | Electrical wiring port $\phi 5/64"$ ( $\phi 22$ )   |
| ⑧ | Electrical wiring port $\phi 3/64"$ ( $\phi 13$ )   |
| ⑨ | Auxiliary connection tube $\phi 5/8"$ to $\phi 3/4"$ ( $\phi 15.88$ to $\phi 19.05$ ) 6 hp only |



## Free Manuals Download Website

<http://myh66.com>

<http://usermanuals.us>

<http://www.somanuals.com>

<http://www.4manuals.cc>

<http://www.manual-lib.com>

<http://www.404manual.com>

<http://www.luxmanual.com>

<http://aubethermostatmanual.com>

Golf course search by state

<http://golfingnear.com>

Email search by domain

<http://emailbydomain.com>

Auto manuals search

<http://auto.somanuals.com>

TV manuals search

<http://tv.somanuals.com>