

# ECO-i™ Submittal Data



Building Life.

## WCHDX26053 Heat Pump: 20 tons VRF Outdoor Unit

Job Name: \_\_\_\_\_  
 Location: \_\_\_\_\_  
 Engineer: \_\_\_\_\_  
 Submitted to: \_\_\_\_\_  
 Submitted by: \_\_\_\_\_  
 Reference: \_\_\_\_\_

Approval: \_\_\_\_\_  
 Date: \_\_\_\_\_  
 Construction: \_\_\_\_\_  
 Unit #: \_\_\_\_\_  
 Drawing #: \_\_\_\_\_



**Compressor Warranty: 6 Years**  
**Parts Warranty: 1 Year**  
**Coiled Coated to Protect Against Corrosion**  
**Salt Protection also available**



### Capacities

Cooling: Btu/h 249,100  
 Power Input: KW 21.2  
 Heating: Btu/h 278,100  
 Power Input: KW 21

### Cooling Mode Nominal Conditions

Indoor: °F DB/°F WB 80/67  
 Outdoor: °F DB 95  
 Pipe Length (feet): 25  
 Level Difference (feet): 0

### Heating Mode Nominal Conditions

Indoor: °F DB 70  
 Outdoor: °F DB/ °F WB 47/43  
 Pipe Length (feet): 25  
 Level Difference (feet): 0

### Operating Range

Cooling: °F DB: 14 to 109  
 Heating: °F DB: -4 to 59

### Compressor

Quantity/Type: 1 Inverter driven rotary & 1 fixed speed scroll (8 tons)  
 1 Inverter driven rotary & 2 fixed speed scroll (12 tons)  
 Capacity Control Range: 10-100%

### Fan

Quantity/Type: 1 Propeller Fan (each)  
 Fan Motor Output (KW): 0.7 (each)

### Power Supply

V/PH/Hz. 208-230 / 3 / 60  
 Minimum circuit Amps (MCA): Amps 38/57  
 Max. Overcurrent Protection (MOCP): 50/70

### Weight (lbs):

760/650

### Refrigerant:

410A

### Coil

Coil Face Area (sq. ft.): 22.5 (each)  
 Number of Rows: 4 (each)

### Protection Devices

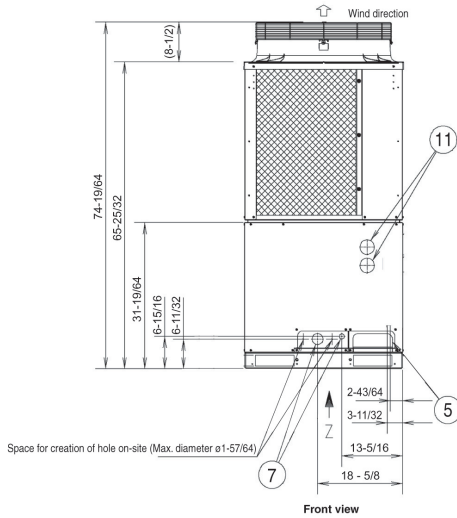
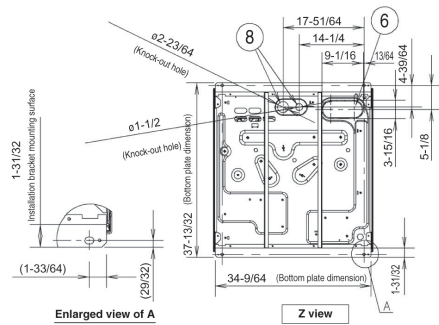
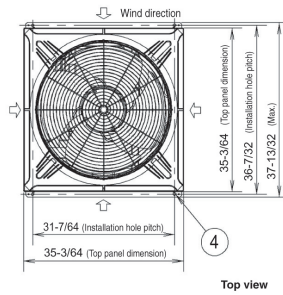
High Pressure Switch: Yes  
 Overcurrent (CT Method): Yes  
 Crankcase Heaters (W): 25 + 32 (8 tons)  
 25 + 32 x 2 (12 tons)

### External Finish:

Electrostatic Powder Coating

# Dimensions

		10hp	16hp
1	Refrigerant (gas tube in. (mm))	brazed connection ø7/8" (ø22.22)	ø1-1/8" (ø28.58)
2	Refrigerant (liquid tube in. (mm))	flared connection ø3/8" (ø9.52)	ø1/2" (ø12.70)
3	Refrigerant (balance tube in. (mm))	flared connection ø1/4" (ø6.35)	ø1/4" (ø6.35)
4	Installation holes (4-19/32" x 25/32" elongated holes), anchor bolts M12 or 15/32" or larger		
5	Refrigerant (front: knock out hole and slit)		
6	Tubing port (bottom: hole with cover)		
7	Electrical wiring port (front: ø1-47/64", ø15/16", ø1-3/8" knock-out holes – for conduit connection)		
8	Electrical wiring port (bottom: ø2-23/64", ø1-1/2" knock-out holes – for conduit connection)		
9	Pressure outlet port (for high pressure: ø5/16" (ø7.94) Schrader-type connection)		
10	Pressure outlet port (for low pressure: ø5/16" (ø7.94) Schrader-type connection)		
11	Knock-out hole for connecting pressure gauge (optional)		

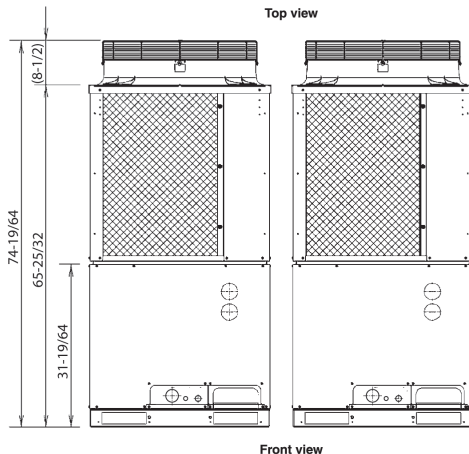
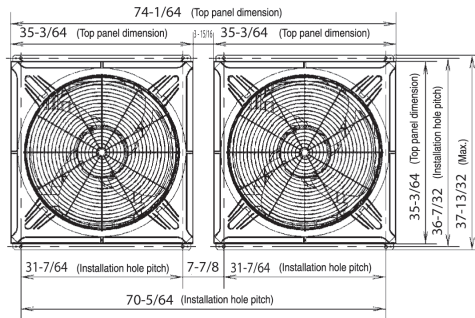


\*Measurements for 10-16hp assume that the supplied connection tubing is used.

Table of Measurements for Refrigerant Tube Connection

Equivalent horsepower	Size(in.)		
	a	b	c
10※	6-37/64	13-37/64	3-15/16
16※	7-11/64	13-5/32	3-55/64

※Measurements for 10,16hp assume that the supplied connection tubing is used.



Equivalent horsepower		20	26	32
10	CHDX09053	○ ○	○	—
16	CHDX14053	—	○	○ ○

**SANYO**  
Sanyo Commercial Solutions  
A Division of SANYO North America  
1300 Michael Drive, Suite A  
Wood Dale, IL 60191 USA  
www.sanyohvac.com

## Free Manuals Download Website

<http://myh66.com>

<http://usermanuals.us>

<http://www.somanuals.com>

<http://www.4manuals.cc>

<http://www.manual-lib.com>

<http://www.404manual.com>

<http://www.luxmanual.com>

<http://aubethermostatmanual.com>

Golf course search by state

<http://golfingnear.com>

Email search by domain

<http://emailbydomain.com>

Auto manuals search

<http://auto.somanuals.com>

TV manuals search

<http://tv.somanuals.com>