

# Split System Submittal Data



Building Life.

System: 26XHW72R

Indoor/Outdoor: XHWX2672R/CH2672R

Grille: PNR-XH2442

## Ceiling Recessed Heat Pump

Job Name: \_\_\_\_\_  
 Location: \_\_\_\_\_  
 Engineer: \_\_\_\_\_  
 Submitted to: \_\_\_\_\_  
 Submitted by: \_\_\_\_\_  
 Reference: \_\_\_\_\_

Approval: \_\_\_\_\_  
 Date: \_\_\_\_\_  
 Construction: \_\_\_\_\_  
 Unit #: \_\_\_\_\_  
 Drawing #: \_\_\_\_\_



### General Data (at 230V)

Power	V/PH/Hz	230/208/1/60
Circuit Ampacity	(A)	15-30 Indoor-Outdoor
Fuse Size, Max.	(A)	15-30 Indoor-Outdoor

Compressor		DC Rotary Inverter
No. used		1
R.L. Amps - L.R.	(A)	12.9-17.5

Outdoor Unit		
Fan type		Propeller
Dia. (in.) - No. Speeds		18-7/64-1
Type Drive - No. Speeds		DC Motor
No. Poles	(RPM)	8 - 800
No. Motors	(W)	1 - 90
CFM	(High)	1765
F.L. Amps	(A)	13.8

		Aluminum Fin & Copper Pipe
Coil Type		Aluminum Fin & Copper Pipe
Fin Type - Pipe Type		Slit Plate - Inner Rifled
Rows - F.P.I.		1-15.9
Face Area	(sq.ft.)	7.26
Tube Size	(in.)	3/8"

Indoor Unit		
Fan type		Turbo
Dia. & Length (in.) - No. Speeds		17-7/16-1
No. Speeds		3 & Auto
No. Poles	(RPM, High)	6 - 466
No. Motors	(W)	1 - 40
CFM	(Hi/Med/Lo)	710/530/450
Indoor Sound Rating	(Hi) (dB-A)	38
F.L. Amps	(A)	0.7

		Aluminum Plate Fin & Copper Tube
Coil Type		Aluminum Plate Fin & Copper Tube
Fin Type - Pipe Type		Slit Plate - Inner Rifled
Rows - F.P.I.		2 - 14.9
Face Area	(sq.ft.)	3.69
Tube Size	(in.)	9/32"
Drain Connection Size	(in.)	1/17/64

Refrigerant		R410A
Lbs. - R410a (outdoor unit)		4.19
Control		Electric Expansion Valve
Connection		Flare
Line Length, Max (ft.)		165
Lift Difference, Max (ft.)		50 (outdoor lower), 100 (outdoor higher)
Line Size	(in. O.D. Discharge)	3/8"
Line Size	(in. O.D. Suction)	5/8"

Dimensions	(in.)	H x W x D
Indoor Unit	(Uncrated)	13-5/16 x 33-55/64 x 33-55/64
	(Crated)	11-9/64 x 32-7/8 x 33-9/32
Outdoor Unit	(Uncrated)	30-23/32 x 37 x 3-3/8
	(Crated)	34-31/32 x 39-31/32 x 16-3/32

Weight		Indoor	Outdoor
Net	(lbs.)	49	128
Shipping	(lbs.)	57	148

Shipping Volume	(cu.ft.)	Indoor	Outdoor
		7.1	13.0

### Performance Data @ ARI Standard Conditions (230/208V)

Cooling		
Total Capacity	(BTU/H)	24,800 (9,500-24,800)
Sensible Capacity	(BTU/H)	14,810
Latent Capacity	(BTU/H)	9,990
SEER		14.1
Dehumidification	(Pints/H)	8.1
Amps	(A)	15.6/17.3
Power Inputs	(W)	2,920/2,920
Outdoor Sound Rating	(dB-A)	49

Heating		
Total Capacity	(BTU/H)	29,800 (8,000-29,800)
HSPF		10.5

# Dimensions

## Heating

Amps	(A)	14.8/16.4
Max. Amps	(A)	14.8/16.4
Power Inputs	(W)	2,790/2,790
Back-up Strip Heater	(KW)	0.00/0.00
Outdoor Sounds Rating	(dB-A)	49

## Features

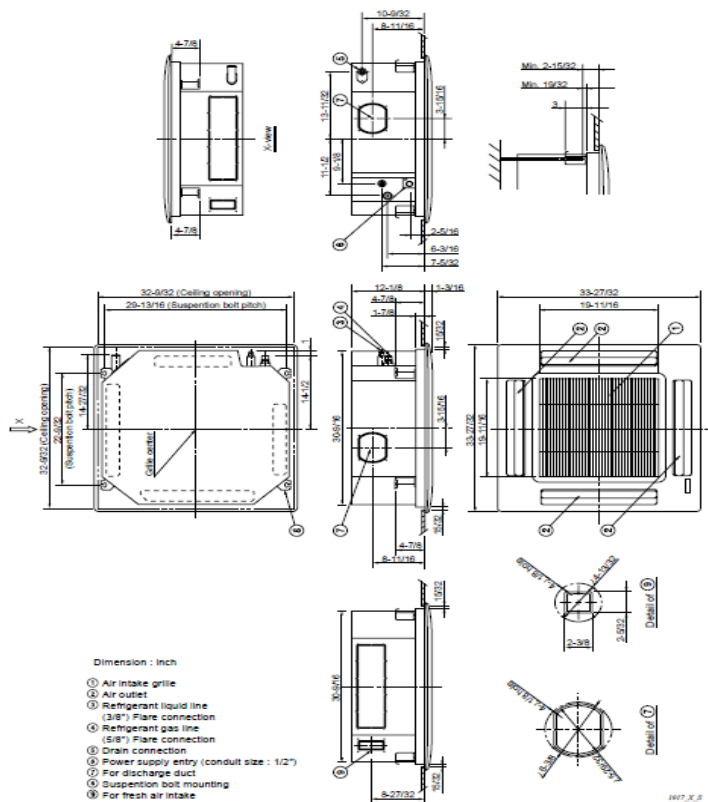
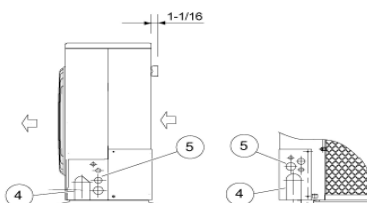
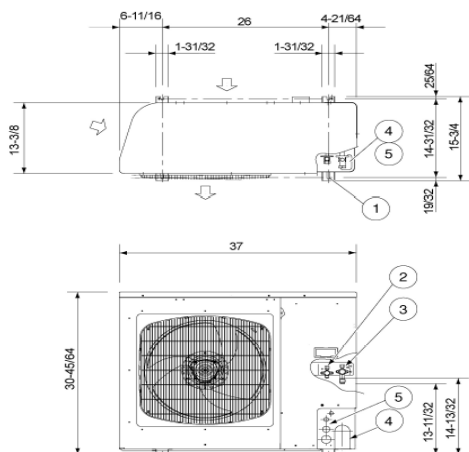
Controls	Microprocessor
Remote Controller	LCD Wired Type, Temp. Sensor Built In
Temperature Control	IC Thermostat
Timer	72 Hr. ON/OFF
Night Setback	Built-In
Air Louver	Manual
	(Horizontal)
	(Vertical)
Power Failure Automatic Restart	Built-In
Heating/Cooling Automatic Changeover	Built-In
Self-Diagnosis	Built-In
Air Filter	Washable, Anti-Mold

## Options

Refrigerant Line Set	Available
Fresh Air Intake	Available
Air duct Extension	Knock-out
Condensate Drain Pump	Standard
Wireless Remote Controller	Available
Non-Removeable Locking Remo-con Bracket	Available

## Operating Range

	Indoor Air Intake Temp.	Outdoor Air Intake Temp.
Cooling		
Maximum	95F DB/71F WB	109F DB
Minimum	67F DB/57F WB	0F DB
Heating		
Maximum	80F DB/67F WB	75F DB/65F WB
Minimum	-DB/-WB	5F DB



Dimension : inch

- ① Air intake grille
- ② Refrigerant liquid line (3/8" Flare connection)
- ③ Refrigerant gas line (5/8" Flare connection)
- ④ Drain connection
- ⑤ Power supply entry (conduit size : 1/2")
- ⑥ For discharge duct
- ⑦ Suspension bolt mounting
- ⑧ For fresh air intake

Dimension: inch

①	Hole for anchor bolt (4-R6.5) / Anchor bolt: M10
②	Refrigerant tube joint (liquid line tube) • Flare connection 3/8 in (9.52 mm)
③	Refrigerant tube joint (gas line tube) • Flare connection 5/8 in (15.88 mm)
④	Refrigerant tubing inlet (knock-out hole)
⑤	Power supply inlet (knock-out hole φ38, φ29, φ19, φ16 mm)

## Free Manuals Download Website

<http://myh66.com>

<http://usermanuals.us>

<http://www.somanuals.com>

<http://www.4manuals.cc>

<http://www.manual-lib.com>

<http://www.404manual.com>

<http://www.luxmanual.com>

<http://aubethermostatmanual.com>

Golf course search by state

<http://golfingnear.com>

Email search by domain

<http://emailbydomain.com>

Auto manuals search

<http://auto.somanuals.com>

TV manuals search

<http://tv.somanuals.com>