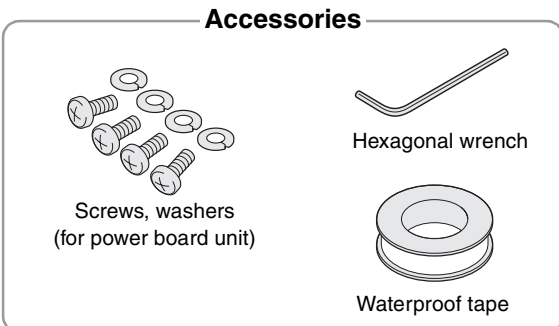
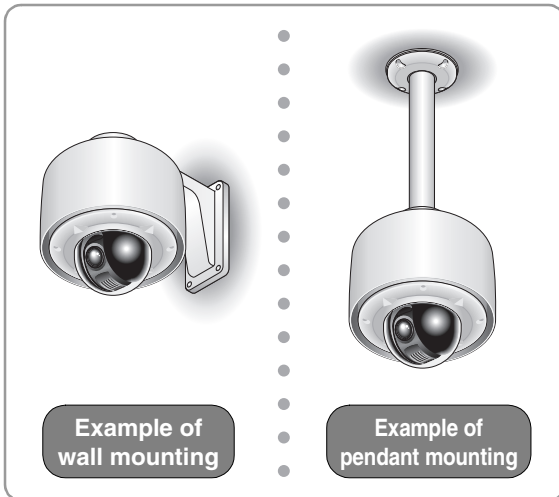
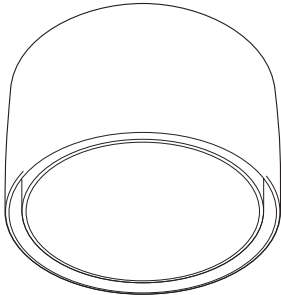


This installation should be made by a qualified service person and should conform to all local codes.

### About this manual

This housing is designed for outdoor installation.

Before installing and using this unit, please read this manual carefully. Be sure to keep it handy for later reference.



Features and specifications are subject to change without prior notice or obligations.

### ⚠ CAUTION:

Install this housing securely according to this installation manual. Be aware that allowing the bracket to fall with the camera on it may cause personal injury.

### ⚠ Important

- Be careful when opening holes for installing the unit. Work with the power and video cables pulled out for easy installation.
- Make sure to properly perform waterproofing for the ceiling or wall where you are installing the unit.
- Make sure that the surface in the installation location has no unevenness and is strong enough to bear the total weight of the unit.

### ■ Specifications

**Color:** Beige

**Material:** Metal

**Waterproof Standard:** Conforming to IP66

**Operating Environment**

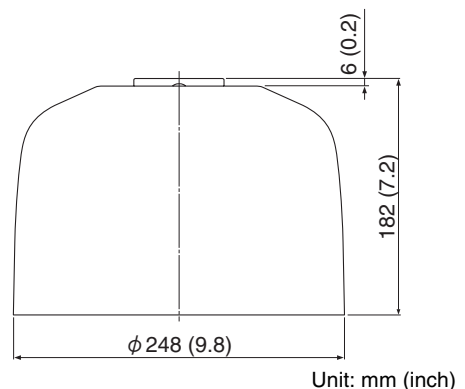
(with power source connected) :

Temperature; -30°C - +50°C (-22°F - +122°F)

Humidity; less than 90% RH (no condensation)

**Weight:** Approx. 2.5 kg (5.5 lb)

**Dimensions:**



### ■ Specifications of Heater

(built into VA-CM8C/CM8S)

**Automatic switch ON/OFF temperature:**



ON; Approx. 5°C (41°F)



OFF; Approx. 15°C (59°F)

**Power supply:** 24 V AC ± 10%, 50/60Hz

**Power consumption:** Max. 35 W (When heater turned on)

# Safety precautions

	<b>CAUTION</b> RISK OF ELECTRIC SHOCK DO NOT OPEN	
<b>CAUTION:</b> TO REDUCE THE RISK OF ELECTRIC SHOCK, DO NOT REMOVE COVER (OR BACK). NO USER-SERVICEABLE PARTS INSIDE. REFER SERVICING TO QUALIFIED SERVICE PERSONNEL.		


	The lightning flash with arrowhead symbol, within an equilateral triangle, is intended to alert the user to the presence of uninsulated "dangerous voltage" within the product's enclosure that may be of sufficient magnitude to constitute a risk of electric shock to persons.
	The exclamation point within an equilateral triangle is intended to alert the user to the presence of important operating and maintenance (servicing) instructions in the literature accompanying the product.

**WARNING:** To reduce a risk of fire or electric shock, do not expose this product to rain or moisture.

## CAUTION:

- Do not touch the connection cables and the power supply plug with wet hands.
- Do not insert any metal, inflammable, or foreign object into the cable hole. Doing so may cause fire or electric shock.
- Since this product does not have waterproof construction, do not expose it to water or other liquids. Also, do not install it in a bathroom or shower room. Doing so may cause fire or electric shock.
- Do not install the product on unsteady surfaces as it may fall and cause injury or damage.
- Do not expose the product to shocks or install it in places subject to vibration.

## WEEE Symbol Information

	<p><b>Please note:</b> Your SANYO product is designed and manufactured with high quality materials and components which can be recycled and reused. This symbol means that electrical and electronic equipment, at their end-of-life, should be disposed of separately from your household waste. Please dispose of this equipment at your local community waste collection/recycling centre. In the European Union there are separate collection systems for used electrical and electronic products. Please help us to conserve the environment we live in!</p> <p><b>This symbol mark and recycle system are applied only to EU countries and not applied to the countries in the other area of the world.</b></p>
---	---

**CAUTION:** Changes or modifications not expressly approved by the manufacturer may void the user's authority to operate this equipment.

This equipment has been tested and found to comply with the limits for a Class B digital device, pursuant to Part 15 of the FCC Rules.

These limits are designed to provide reasonable protection against harmful interference in a residential installation. This equipment generates, uses and can radiate radio frequency energy and, if not installed and used in accordance with the instructions, may cause harmful interference to radio communications. However, there is no guarantee that interference will not occur in a particular installation.

If this equipment does cause harmful interference to radio or television reception, which can be determined by turning the equipment off and on, the user is encouraged to try to correct the interference by one or more of the following measures.

- Reorient or relocate the receiving antenna.
- Increase the separation between the equipment and receiver.
- Connect the equipment into an outlet on a circuit different from that to which the receiver is connected.
- Consult the dealer or an experienced radio/TV technician for help.

## For the customers in Canada

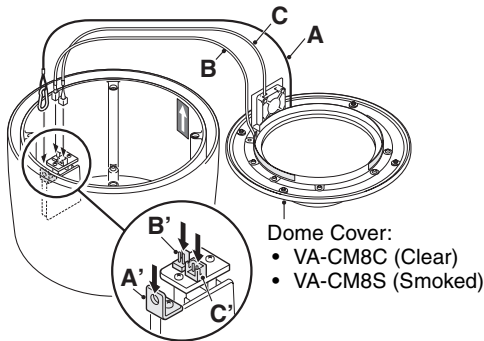
This class B digital apparatus complies with Canadian ICES-003.

# Assembling the Outdoor Housing

- For the built-in heater and fan in the dome cover, you need an additional 24 V AC power supply.
- This housing is used in combination with a dome cover (clear/smoked) and a mounting bracket (wall/pendant) that are sold separately.
- ☞ For how to install an assembled housing, refer to the instruction manual for the bracket used. Also refer to the instruction manual for each associated device.

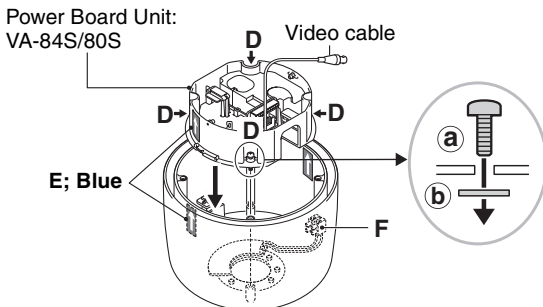
## 1. Attaching the dome cover

- 1** Hook the safety wire (A) of the dome cover on hook hole (A') located inside the housing.
- 2** Connect the heater cable (B) to the heater terminal (B') and the fan cable (C) to the fan terminal (C').



## 2. Mounting the power board unit

- 1** Pass the supplied screws (a) through power board unit screw holes (D) and fasten them loosely using washers (b) (4 places).
- 2** Mount the power board unit in the housing aligning the arrows (E) of the same color (blue) on them, and then firmly tighten the screws (a) loosely fastened in the previous step.
  - Make sure the terminal (F) and its cable are located along the inner lateral face of the housing.
  - Pull the video cable led from the ceiling or wall toward the power board unit.

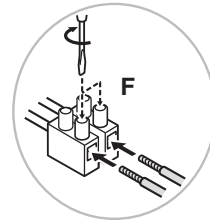


- 3** Fix the housing onto the mounting bracket (wall/pendant).

☞ For details, please refer to "Outdoor Type" in the Mounting Bracket Instruction Manual.

## 3. Connecting cables

- 1** Connect the 24 V AC power cable to the terminal (F).

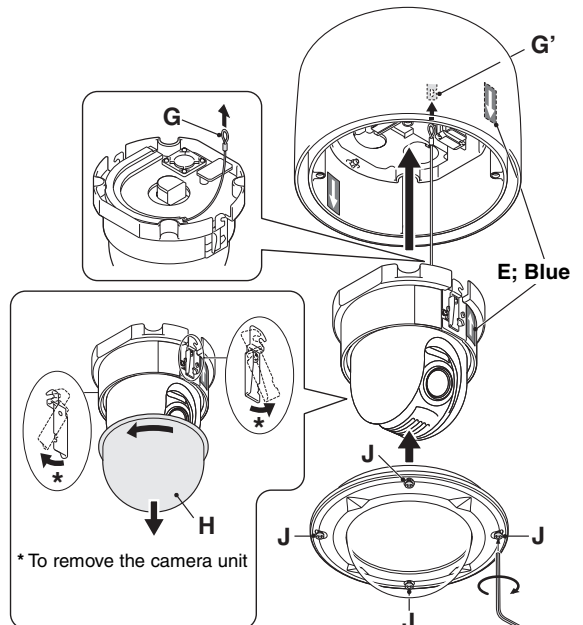


- 2** Connect other cables to the power board unit.

☞ For details, please refer to "Connections and Settings" in the Installation Manual that comes with the camera unit.

## 4. Mounting the camera unit

- 1** Fasten the camera unit safety wire (G) to the hook (G') inside the power board unit.
- 2** Align the arrows (E) of the same color (blue) on the camera unit and the housing inner face, and push the camera until you hear a click.
- 3** Remove the plastic cover (H) of the camera unit.
- 4** Attach the dome cover by fastening 4 screws (J) using the supplied hexagonal wrench.



## Free Manuals Download Website

<http://myh66.com>

<http://usermanuals.us>

<http://www.somanuals.com>

<http://www.4manuals.cc>

<http://www.manual-lib.com>

<http://www.404manual.com>

<http://www.luxmanual.com>

<http://aubethermostatmanual.com>

Golf course search by state

<http://golfingnear.com>

Email search by domain

<http://emailbydomain.com>

Auto manuals search

<http://auto.somanuals.com>

TV manuals search

<http://tv.somanuals.com>