

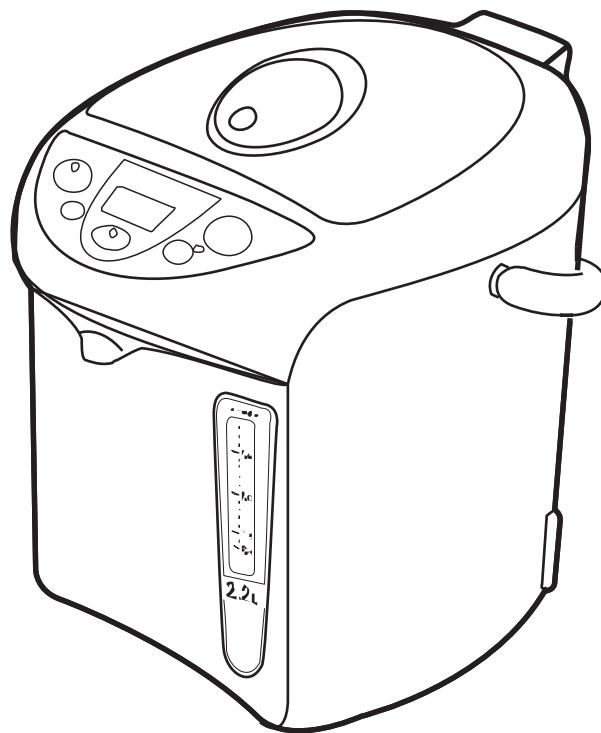
FILE No.



# SERVICE MANUAL ELECTRONIC JAR POT

# U-D30S

Product Code  
NO.142479902  
(USA)



## Specifications

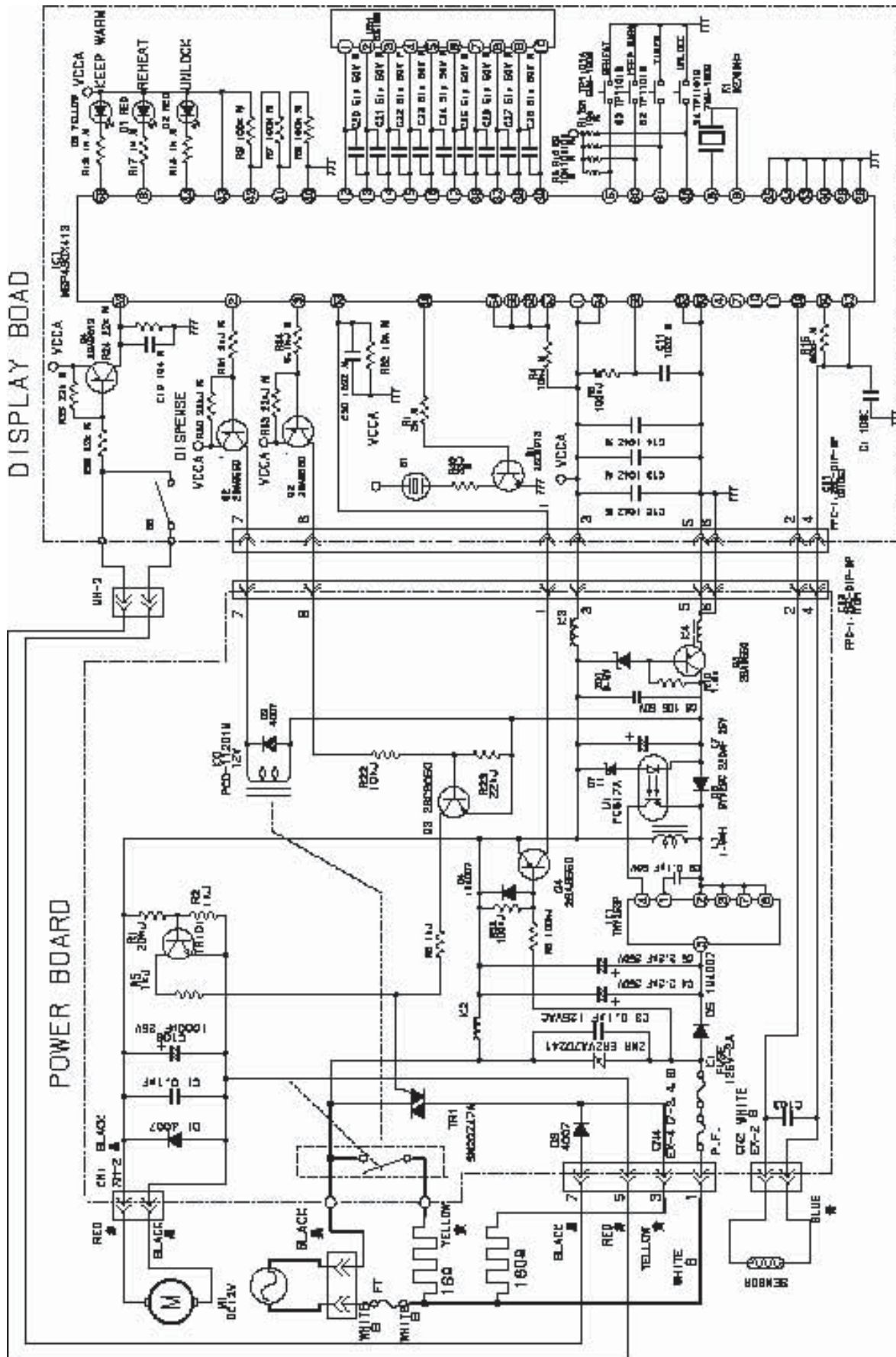
This model can be used in areas where the power frequency is 50Hz or 60Hz

Power source		AC 120V	
Power Consumption	Boiling	980W	
	Keep Warm	98°C	47Wh
		80°C	21Wh
Capacity		3.0 Liter	
Keep Warm Temperature		98°C/85°C/60°C	
Dimension		223 × 295 × 275 mm	
Weight		Approx 2.2 Kg	
Cord Length		Approx 1.5 m	

Specifications subject to change without notice

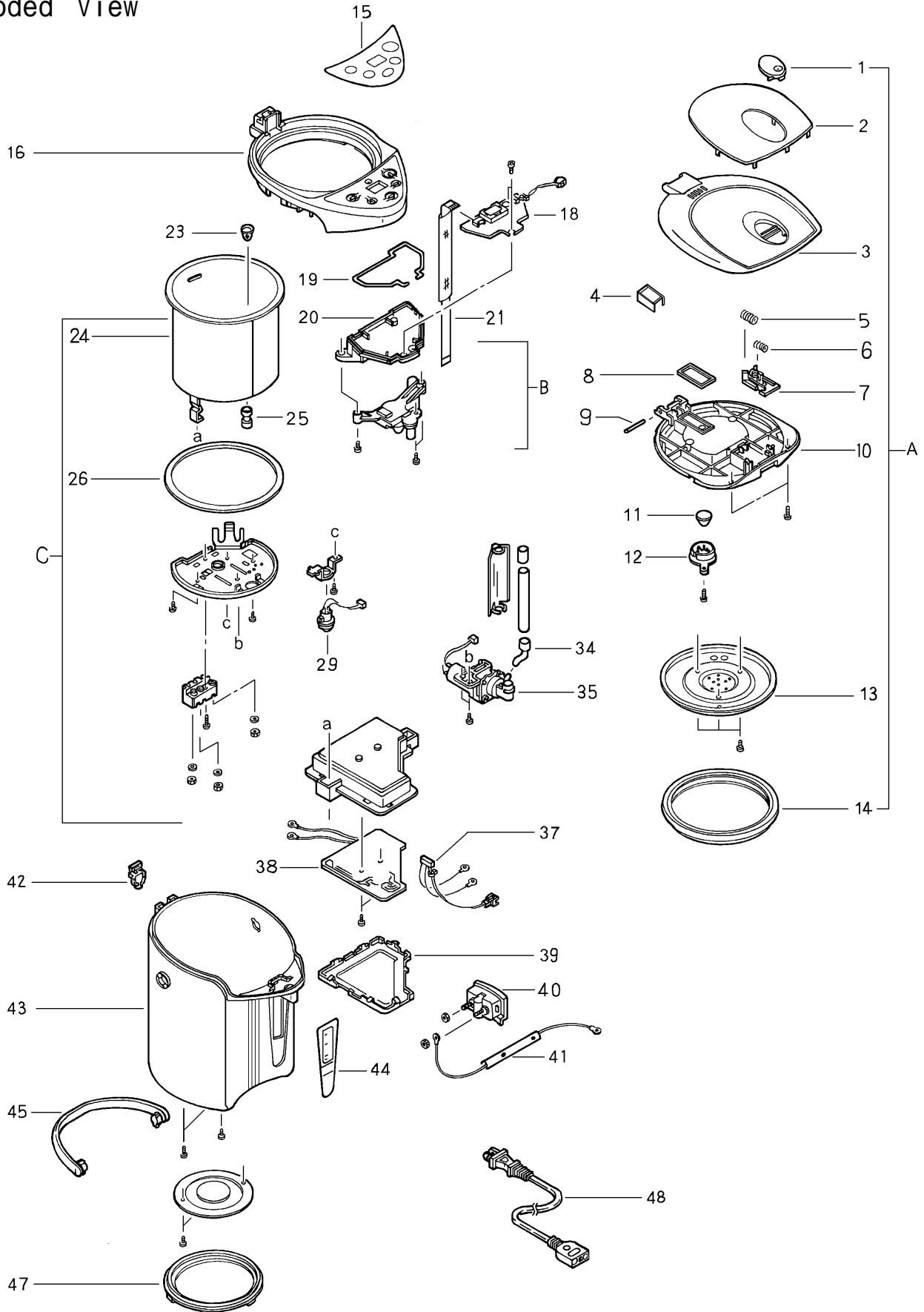
REFERENCE NO. SM0901101

# Wiring Diagram



U-D225/305

# Exploded View



# Parts list

Note : The parts marked with  $\triangle$  have special characteristics of safety.

If the  $\triangle$  mark parts need replacement, use only SANYO specified parts.

## U - D 3 0 S 120V 142479902

Key NO.	Part NO.	Description	Q'ty	
A	DA 02Z10502	UPPER LID COMP	1	
1	DA 02S15539	KNOB, (C)	1	
2	DA 02W20502	UPPER LID, SUS	1	
3	DA 02S15503	UPPER LID, (C)	1	
4	DA 02S70550	STEAM COVER	2	
5	DA 00B40001	SPRING, A	1	
6	DA 00B40002	SPRING, B	1	
7	DA 02S25509	FOOK	1	
8	DA 02S70549	STEAM PACKING	1	
9	DA 00B50020	SHAFT	1	
10	DA 02S10504	UPPER LID COVER	1	
11	DA 02W20530	WATERPROOF VALVE	1	
12	DA 02S10506	WATERPROOF CAP	1	
13	DA 02W20501	INSIDE LID	1	
14	DA 02S70543	PACKING, INSIDE LID	1	
15	DA 02Y40514	OPERATION NAMER	1	
16	DA 02S15512	FRAME COVER	1	
$\triangle$	18	DA 02D60533	PCB COMP, A	1
	19	DA 02S70544	PACKING, MTG PLATE	1
	20	DA 02S10514	MTG PLATE	1
	21	DA 02D70545	LEAD WIRE, FLAT, 30S	1
	B	DA 02Z10516	VALVE ASSY, FALL	1
	23	DA 02W20513	FILTER	1
$\triangle$	C	DA 02Z10521	VESSEL COMP, 30S	1
$\triangle$	24	DA 02Z10531	VESSEL ASSY, 30S	1
	25	DA 02S70548	PACKING, PUMP	1
	26	DA 02S70545	PACKING, VESSEL	1
$\triangle$	29	DA 02Z20514	THERMISTOR ASSY	1
	34	DA 02S70547	PACKING, UNDER	1
$\triangle$	35	DA 02Z20522	PUMP ASSY	1
$\triangle$	37	DA 02D60548	LEAD WIRE ASSY, B	1
$\triangle$	38	DA 02D60530	PCB COMP, B	1
	39	DA 02S10519	STAND, B	1
$\triangle$	40	DA 02D60506	TERMINAL ASSY	1
$\triangle$	41	DA 02Z20512	TEMP FUSE ASSY	1
	42	DA 02S25516	KNOB, SHANK (C)	1
	43	DA 02S15551	BODY, 30S	1
	45	DA 02S15532	HANDLE, (C)	1
	44	DA 02Y40538	COVER LABEL, 30S	1
	47	DA 02S15529	ROLLING PLATE	1
$\triangle$	48	DA 02D70526	CORD ASSY	1
		DA 02Y10528	INST MANUAL	1
		DA 02Y30547	IND CORR CASE, 30S	1
		DA 02Y30550	OUTER CORR CASE, 30S	1

SANYO Electric Co., Ltd.  
Osaka, Japan.

## Free Manuals Download Website

<http://myh66.com>

<http://usermanuals.us>

<http://www.somanuals.com>

<http://www.4manuals.cc>

<http://www.manual-lib.com>

<http://www.404manual.com>

<http://www.luxmanual.com>

<http://aubethermostatmanual.com>

Golf course search by state

<http://golfingnear.com>

Email search by domain

<http://emailbydomain.com>

Auto manuals search

<http://auto.somanuals.com>

TV manuals search

<http://tv.somanuals.com>