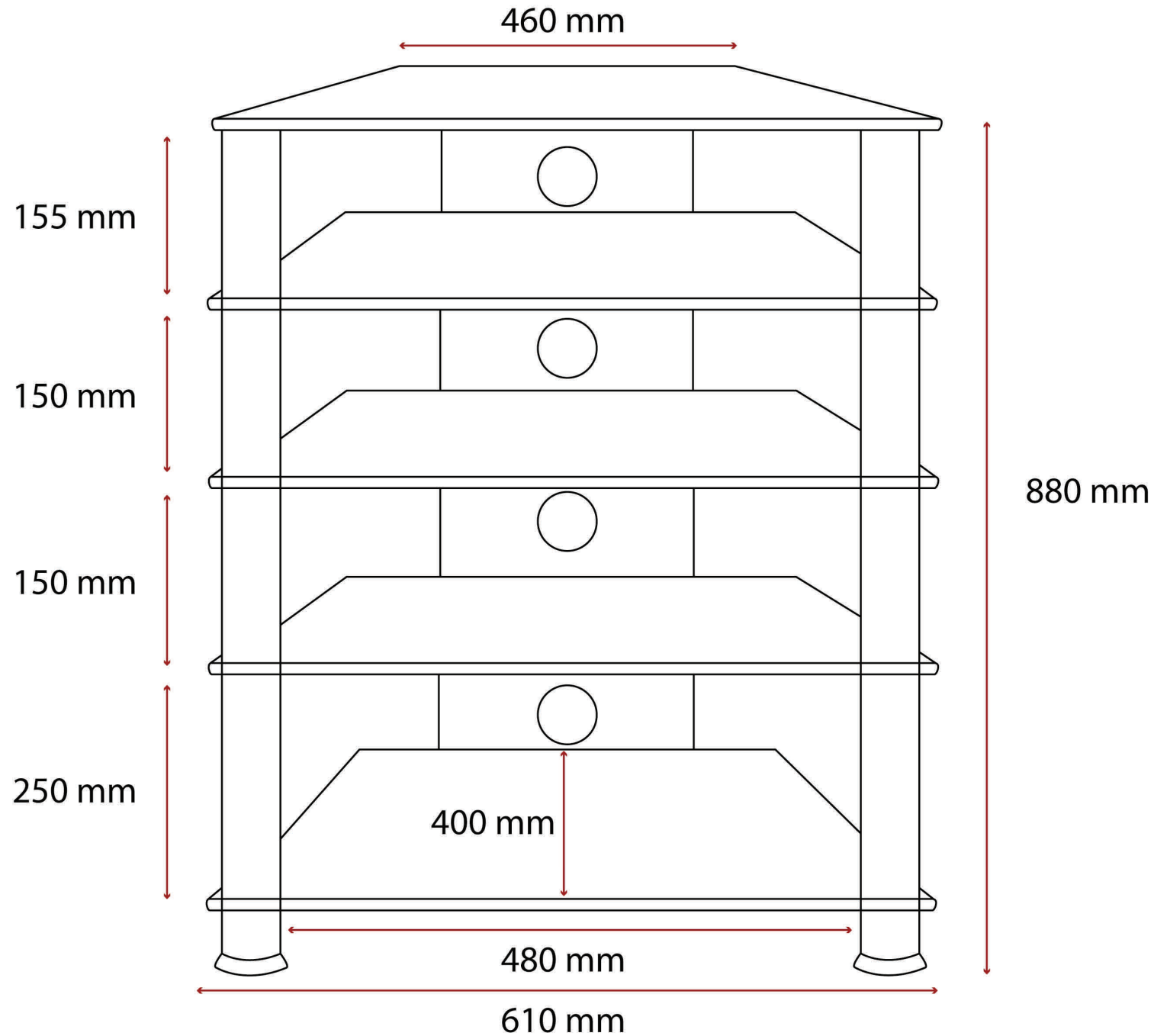
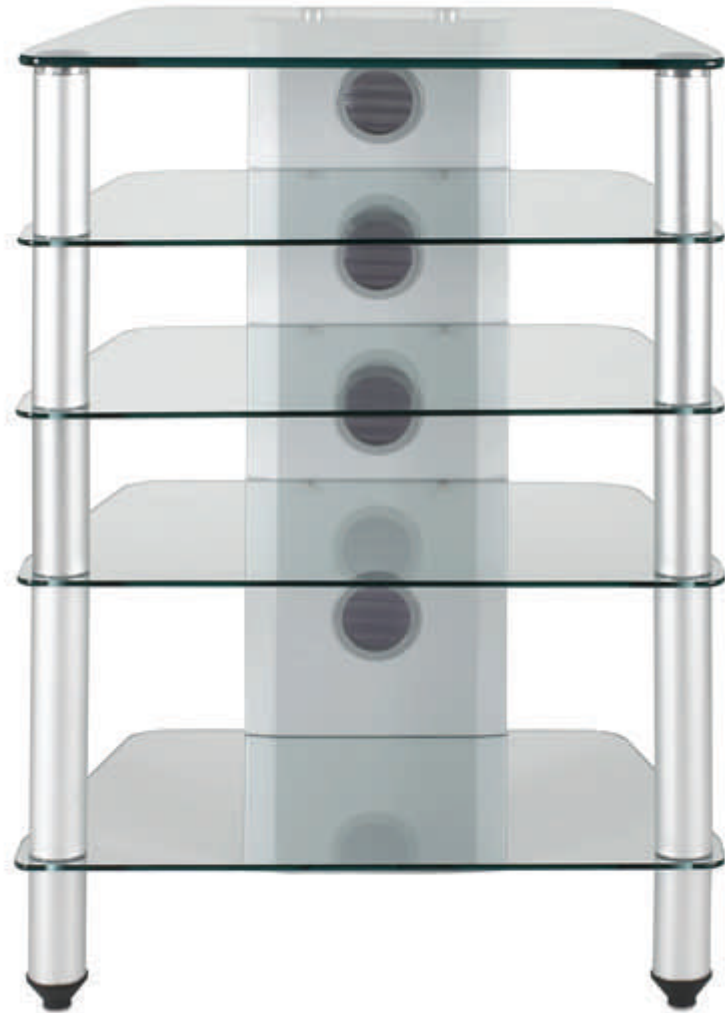


JF005..... AV MULTI-FUNCTIONAL STAND



JF005SC..... AV MULTI-FUNCTIONAL STAND



**JF005BC..... A/V MULTI-FUNCTIONAL STAND**



JF005BB..... A/V MULTI-FUNCTIONAL STAND



Please view our full range of products at:- [www.jualfurnishings.co.uk](http://www.jualfurnishings.co.uk)

# ASSEMBLY INSTRUCTIONS JF005

## IMPORTANT CUSTOMER INFORMATION

### BEFORE ASSEMBLING THIS UNIT

PLEASE READ THESE INSTRUCTIONS CAREFULLY AND ENSURE THAT ALL ITEMS IN THE CONTENTS LIST HAVE BEEN INCLUDED IN THIS PACK.

DO NOT ATTEMPT TO ASSEMBLE THIS UNIT WITH SCREWS OR FITTINGS OTHER THAN THOSE PROVIDED.



**DO NOT EXCEED MAX. SAFE LOADING OF THE GLASS SHELVES**

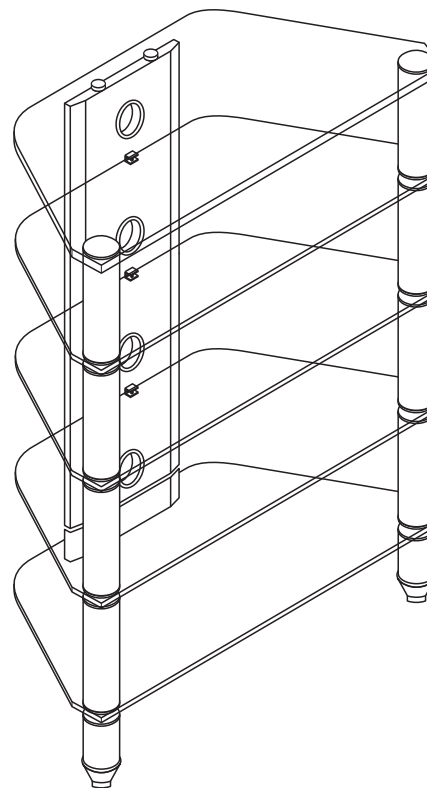
**10mm TOP-85kg  
6mm SHELVES-25kg**

DO NOT STRIKE THE GLASS WITH HARD OR POINTED ITEMS.

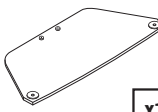
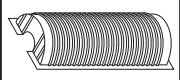


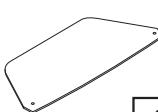
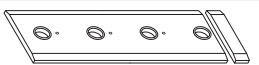


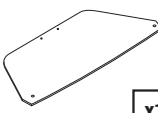
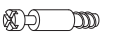
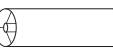



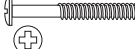





DO NOT SIT OR STAND UPON THE GLASS SURFACES.

SHOULD YOU HAVE ANY MISSING / DAMAGED PARTS OR HAVE ANY DIFFICULTY IN ASSEMBLY, PLEASE CALL THE NUMBER BELOW.

HELP LINE NUMBER: 01443 816982



## COMPONENTS LIST

<b>1</b> Top Glass (4 x silver discs)  x1	<b>4</b> Shroud  x1	<b>8</b> 50mm Bolt  x8	<b>14</b> Allen Key  x1
<b>2</b> Middle Glass (2 x holes)  x3	<b>5</b> Large MDF Panel Small MDF Panel  x1	<b>9</b> Shroud Screws  x10	<b>15</b> Glass Clamp  x3
<b>3</b> Bottom Glass (4 x holes)  x1	<b>6</b> Cam Bolt  x2	<b>10</b> 146mm Tube  x6	<b>16</b> Cam Locks  x2
<b>7</b> 25mm Bolt  x2	<b>11</b> 248mm Tube  x2	<b>17</b> Foot Bolt  x2	<b>18</b> Cable tie  x3
<b>12</b> 132mm Foot  x2	<b>13</b> Non-slip Pad  x2	<b>19</b> Glass Clamp Fixing Screw  x3	<b>20</b> Plastic Spacer  x16

**1**

**FRONT**

**5** Large MDF Panel x1

**15** Glass Clamp x3

**REAR**

**16** Cam Locks x2

**2**

Top Glass

**7** 25mm Bolt x2

**10** 146mm Tube x2

**3**

Ensure arrow on cam locks are facing down when tightening cam bolt.

**5** Large MDF Panel x1

**6** Cam Bolt x2

**8** 50mm Bolt x2

**20** Plastic Spacer x2

**4**

Middle Glass

**10** 146mm Tube x2

**8** 50mm Bolt x2

**20** Plastic Spacer x4

**5**

Middle Glass

**10** 146mm Tube x2

**8** 50mm Bolt x2

**20** Plastic Spacer x4

**6**

248mm Tubes

**11** 248mm Tube x2

**8** 50mm Bolt x2

**20** Plastic Spacer x4

**7**

Bottom Glass

**5** Small MDF Panel x1

**17** Foot Bolt x2

**8**

**12** 132mm Foot x2

**20** Plastic Spacer x2

**13** Non-slip Pad x2

**9**

Fix cables using cable ties.

**13** Cable Ties x3

**10**

Fix the cable cover after all the wires are connected.

**4** Shroud x1

**9** Shroud Screws x10











## Free Manuals Download Website

<http://myh66.com>

<http://usermanuals.us>

<http://www.somanuals.com>

<http://www.4manuals.cc>

<http://www.manual-lib.com>

<http://www.404manual.com>

<http://www.luxmanual.com>

<http://aubethermostatmanual.com>

Golf course search by state

<http://golfingnear.com>

Email search by domain

<http://emailbydomain.com>

Auto manuals search

<http://auto.somanuals.com>

TV manuals search

<http://tv.somanuals.com>