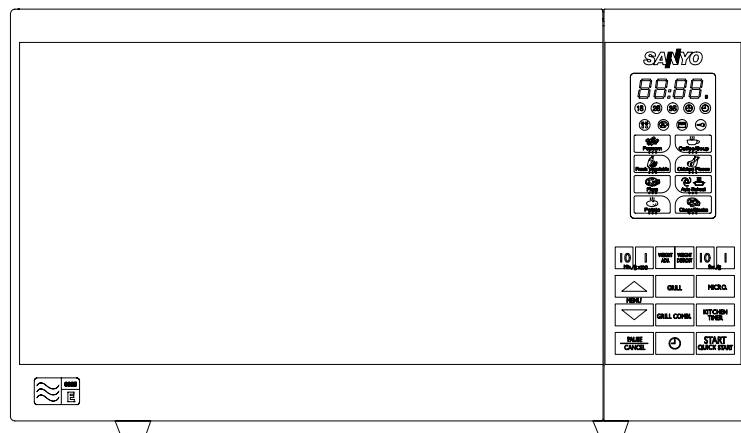




INSTRUCTION MANUAL

EM-G5596V UK2

Microwave Oven with Grill



Read these instructions carefully before use.
If you follow these instructions, your Microwave
Oven will serve you long and well.

ATTENTION!

THE OVEN CAVITY SHOULD BE CLEANED AND WIPED DRY AFTER EACH USE. THE OVEN SHOULD NOT BE USED IF ANY WATER OR MOISTURE REMAINS IN THE CAVITY.

ROLLER REST AND GLASS TRAY SHOULD NOT STAND IN WATER.

DUE TO HIGH MOISTURE CONTENT OF CERTAIN FOODS SUCH AS POTATOES, IT IS IMPORTANT THAT THE OVEN IS WIPED CLEAN AFTER EACH USE.

- 1) Read these instructions carefully before installing and operating the oven. Keep them for further reference.
- 2) Record in the space below the SERIAL No. found on the oven and retain this information for future reference.

SERIAL NO.

CONTENTS

| | |
|--|----|
| SPECIFICATION | 4 |
| <u>Safety instructions</u> | |
| How To use Your Oven Safely | 4 |
| Other Important Safety Instructions | 5 |
| <u>Installation</u> | |
| Connecting To The Mains | 6 |
| Oven Positioning..... | 6 |
| Oven Parts And Accessories..... | 7 |
| Oven Control Panel | 9 |
| Oven Utensils..... | 10 |
| MAFF Rating..... | 10 |
| <u>Operating Instructions</u> | |
| How To Set The Oven Controls | 11 |
| Setting The Clock | 11 |
| Child-Proof Lock | 11 |
| Kitchen Timer | 11 |
| Microwave | 12 |
| Grill | 12 |
| Combination Cooking | 12 |
| Weight Defrost | 13 |
| Multi-Stage Cooking | 13 |
| Setting About Auto-Menu | 14 |
| Other Convenient Features | 15 |
| Questions And Answers | 16 |
| Care And Cleaning | 17 |
| Before Calling Service..... | 17 |
| Imperial To Metric Conversion Table..... | 18 |
| Electrical Appliance Gurantee (Warranty) | 19 |

SPECIFICATION

| | |
|-----------------------------------|-----------------|
| Model | EM-G5596V UK2 |
| Power Source | 230V, 50Hz |
| Maximum Output Power | 900W * |
| Grill Heater | 1000W |
| Oven Capacity | 0.9cu.ft. (25L) |
| Outside Dimensions (W x D x H) mm | 508 x 420 x 310 |
| Net Weight | 19.5 Kg |
| MAFF Rating | 900 / E |

*According to IEC705 test procedures.

HOW TO USE YOUR OVEN SAFELY

1. When boiling water or other liquids, be sure to use a wide mouthed container, this will allow air bubbles to escape freely and prevent boiling over. Overheating the liquid beyond boiling point can occur without evidence of bubbling. This could result in a sudden boil over of the hot liquid.
2. Do not attempt to operate the oven while empty, as this will cause damage.
3. Do not deep fry in the microwave oven as the temperature of the oil cannot be controlled and it may overheat.
4. Never completely seal containers in the microwave oven. Coverings are necessary but containers must not be airtight.
5. Small quantities of food with low moisture content or high fat or sugar content can burn, dry out or catch fire if cooked or re-heated too long. Please note that the heating / cooking period required is extremely short: for example mince pies or similar.
6. Always pierce food, which has a skin or membrane, for example, eggs, potatoes, tomatoes, apples, sausages etc. If you don't pierce them steam will build up inside and they may explode.
7. When disposable containers of plastic, paper or other combustible materials are used to reheat food, it is advisable to check from time to time during the cooking cycle.

NOTE

It is quite normal for steam to be emitted around the door, for misting to occur on the door, or even for water droplets to appear below the door during the cooking cycle. This is merely condensation from the heat of the food and does not affect the safety of your oven. The door is not intended to seal the oven cavity completely but its special SANYO design contributes to the safety of the appliance.

ALTHOUGH YOUR OVEN IS PROVIDED WITH SAFETY FEATURES, IT IS IMPORTANT TO OBSERVE THE FOLLOWING:

- a. Do not tamper with safety interlocks.
- b. Do not place any object between the oven and the door or allow any food residue to accumulate on sealing surfaces. Wipe the door sealing area frequently with a mild detergent, rinse and wipe dry. Never use abrasive powders or pads.
- c. When opened, the door must not be subjected to strain, for example, a child hanging on an opened door may cause the oven to fall forward resulting in injury.
- d. If any damage is apparent, do not operate the oven. Contact your nearest SANYO SERVICE CENTRE.
- e. Children may use the appliance only without supervision as long as instructions have been given, which enable the child to operate the oven safely and make the child aware of the dangers of false operation

OTHER IMPORTANT SAFETY INSTRUCTIONS

The following safety precautions should be followed when using these appliances.

1. Read all instructions before first use.
2. When using the grill and / or convection function for the first time, smoke and odour may be given off for a few minutes. This is normal during first operation, and is no cause for alarm.
3. As with most cooking appliances close supervision is necessary to reduce the risk of a fire in the oven cavity.

If a fire should start;

- Keep the door closed.
- Turn the oven off
- Disconnect the power cord or shut off the power at the mains.

Other important safety points to remember are:

1. Do not use wire ties in the oven. Be sure to inspect purchased items for wire ties and remove before placing food in the oven.
2. It is important to keep the oven interior clean. Food particles left on the oven walls reduce the efficiency of the microwaves.
3. Do not heat foods or liquids in bottle or jars with lids on. Air must be allowed to escape from the container.
4. Milk or food for babies should be heated on "MEDIUM". It should then be stirred thoroughly and tested to ensure that it is at the correct temperature before giving it to the baby.
5. Care must be taken when removing cups of hot liquid from the turntable.
6. Cups should be lifted not slid to the edge of the turntable to prevent tipping.

WARNING

- a) Do not adjust or repair the microwave oven yourself. Do not operate the oven if it is damaged, until it has been repaired by a service engineer trained by the manufacturer.
- b) It is dangerous for anyone other than a properly qualified engineer trained by the manufacturer to carry out adjustments or repairs.
- c) If the power supply cord/cable is damaged, it must be replaced by the manufacturer or its service agent or a similar qualified person in order to avoid a hazard.
- d) On no account remove or interfere with any parts or screws.

THIS COULD PROVE VERY DANGEROUS.

7. Never microwave eggs in the shell since they may explode. The egg yolk may pop because of a build-up of steam inside the membrane. To prevent this, pierce the membrane before cooking it.

WHEN COOKING BY GRILL:

1. Take care not to spill water on the glass-viewing window during or immediately after cooking as it may crack.
2. Be sure to use an oven glove when loading and unloading the ovens. Care should be taken to avoid pressing cavity walls inside oven.
3. **Be careful not to press the viewing window when loading or unloading the oven.**
4. **The top of the cabinet gets very hot, therefore do not place items on the oven. Do not place the oven near combustible materials e.g. curtains, kitchen paper.**
5. The grill may cycle on/off during operation.

6. IMPORTANT GRILLING MEAT / CHICKEN PIECES

Roasting joints / whole Chicken pieces

Place on an upturned saucer in a flat dish. Turn over and remove any juices halfway through cooking.

Smaller Cuts:

Place on the grill rack, place a dish on the turntable beneath the rack to catch any liquid. Turn meat over and remove any juices halfway through cooking.

PLEASE SAVE THESE INSTRUCTIONS

INSTALLATION

CONNECTING TO THE MAINS

Before you use your oven, check that the voltage shown on the face of the oven conforms with your mains supply. The mains lead has a 13 amp plug containing a 13 amp fuse. If the fuse requires replacing at any time, the fuse cover should be removed using a small screwdriver to lever it out. The old fuse should be replaced by a 13 amp fuse and the fuse cover must be refitted before the plug is used again.

If the plug supplied on the mains lead is not suitable for the socket in your home, it should be cut off and disposed of safely, or destroyed, to avoid possible shock hazard resulting from the plug being inserted into a 13 amp socket).

If the fuse cover is lost or damaged, the plug must not be used until a replacement is obtained. Replacement fuse covers are available from SANYO SERVICE CENTRES. It is important that the colour of the replacement fuse cover corresponds with the coloured insert or as embossed in words on the base of the plug.

WARNING – THIS APPLIANCE MUST BE EARTHED

IMPORTANT: The wires in this mains lead are

coloured in accordance with the following code:

Green-and-yellow: Earth

Blue: Neutral

Brown: Live

As the colours of the wires in the mains lead of this appliance may not correspond with the coloured markings identifying the terminals in your plug, proceed as follows:

The wire, which is coloured green-and-yellow, must be connected to the terminal in the plug, which is marked with the letter E or by the earth symbol or coloured green or green-and-yellow. The wire, which is coloured blue, must be connected to the terminal, which is marked with the letter N or coloured black. The wire, which is coloured brown, must be connected to the terminal, which is marked with the letter L or colour red.

It is recommended that a separate circuit serving only the oven be provided. Using a high voltage is dangerous and may result in a fire or other accident causing oven damage.

Note:

1. If you have any questions about grounding or electrical instructions, please consult a qualified electrician or service person.
2. Neither the manufacturer nor the dealer can accept any liability for damage to the oven or personal injury resulting from a failure to observe the electrical connection procedure.

level.

OVEN POSITIONING

1. Make sure that all packing materials are removed from inside of the door.
2. Check the oven for any damage, such as a misaligned or bent door, damaged door seals and sealing surface, broken or loose door hinges and latches and dents inside the cavity or on the door. If there is any damage, do not operate the oven and contact qualified service personnel.
3. Install the oven on a flat, level surface strong enough to safely bear the weight of the oven.
4. Do not locate the oven near areas where heat and moisture are generated as this may lower oven efficiency.
5. Covering the air vents may lead to malfunctioning; therefore a minimum clearance of 20cm is required above the oven, 10cm at the back and 5cm to each side of the oven.
6. Some interference may occur if it is placed too close to a radio or TV, so keep them as far apart as possible.
7. The microwave oven must be installed at a minimum height of 85cms above floor

Note:

This symbol mark and recycle system are applied only to EU countries and not applied to countries in other parts of the world.

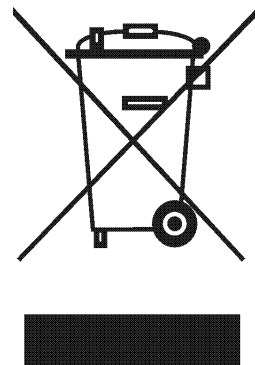
Your SANYO product is designed and manufactured with high quality materials and components which can be recycled and reused.

This symbol means that electrical and electronic equipment, at their end-of-life, should be disposed of separately from your household waste.

Please dispose of this equipment at your local community waste collection/recycling centre.

In the European Union there are separate collection systems for used electrical and electronic products.

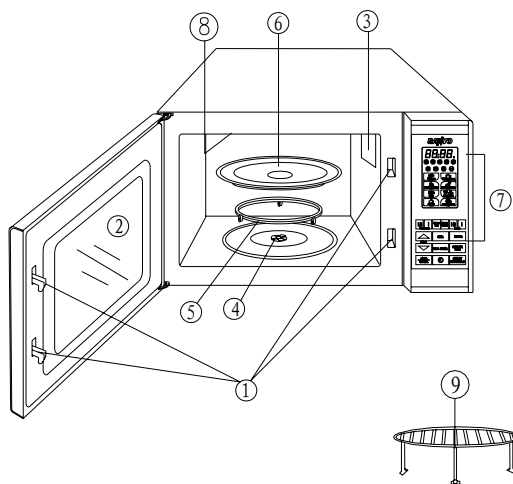
Please help us to conserve the environment we live in!



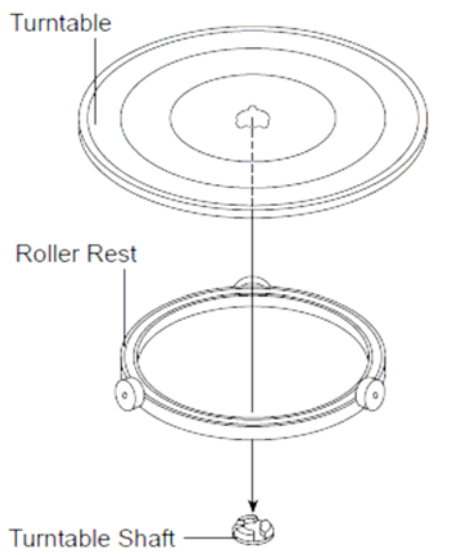
OVEN PARTS AND ACCESSORIES

Your oven is supplied with the following accessories:

| | | | |
|-----------------------|---|--------------------|---|
| Turntable | 1 | Instruction manual | 1 |
| Turntable roller rest | 1 | | |
| Metal Rack | 1 | | |



1. Safety Lock System
2. Oven Window
3. Oven Air Vents
4. Shaft
5. Roller Ring
6. Glass Tray
7. Control Panel
8. Grill Heater
9. Metal Rack



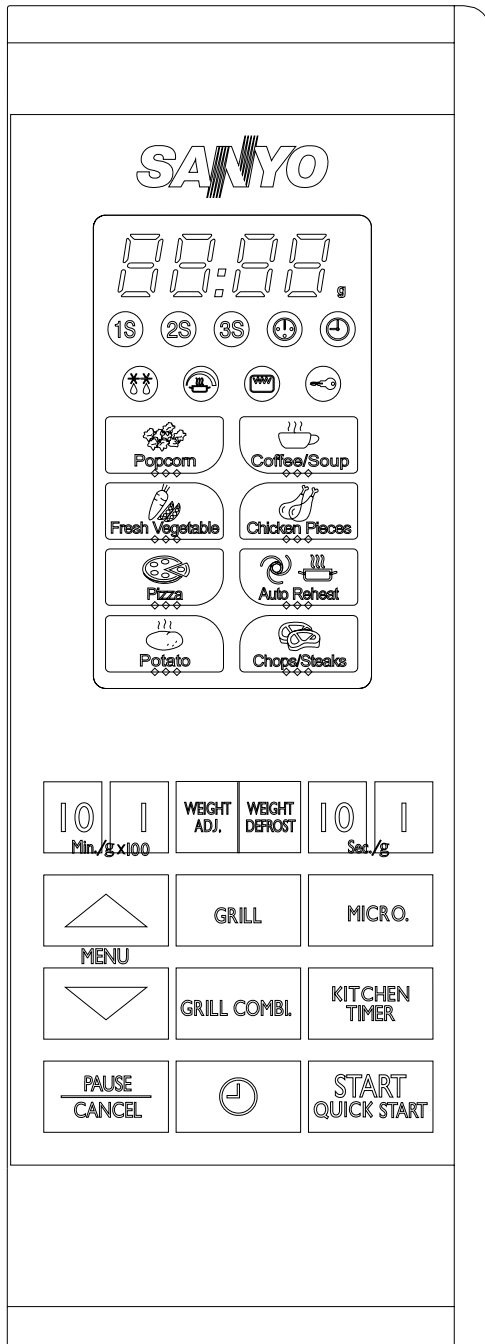
Turntable Installation

1. Place the roller rest on the cavity bottom.
2. Place the turntable on top of the roller rest as shown in the diagram. Make sure the turntable hub is securely locked in the turntable shaft. Never place the turntable upside down.
 - Both turntable and roller rest must always be used during cooking.
 - All food and containers of food are always placed on this turntable for

cooking.

- This turntable rotates clockwise and

OVEN CONTROL PANEL



anticlockwise; this is normal

DISPLAY SCREEN

Cooking time, power, indicators and present time are displayed.

MICRO.

Press to select microwave power level.

GRILL

Press to set a grill-cooking program.

WEIGHT ADJ.

Use to enter food weight.

GRILL COMBI.

Press to select one of two combination cooking settings.

MENU

Use to select an auto cook item.

START/QUICK START

Press to start cooking program or set quick start cooking program.

CLOCK (icon)

Press to set the clock time.

PAUSE/CANCEL

Press to stop cooking program or clear all previous settings before cooking starts.

KITCHEN TIMER

Use to set a count down time.

NUMBER PADS

Use to enter the clock, or cooking time.

WEIGHT DEFROST

Press to defrost food according to weight.

(Please also see the following pages for more detail)

OVEN UTENSILS

1. The ideal material for a microwave utensil is transparent to microwave, it allows energy to pass through the container and heat the food.
2. Microwave cannot penetrate metal, so metal utensils or dishes with metallic trim should not be used.
3. Do not use recycled paper products when microwave cooking, as they may contain small metal fragments which may cause sparks and/or fires.
4. Round /oval dishes rather than square/oblong ones are recommend, as food in corners tends to overcook.
5. Narrow strips of aluminium foil may be used to prevent overcooking of exposed areas. But be careful not to use too much and keep a distance of 1 inch (2.54cm) between foil and cavity.

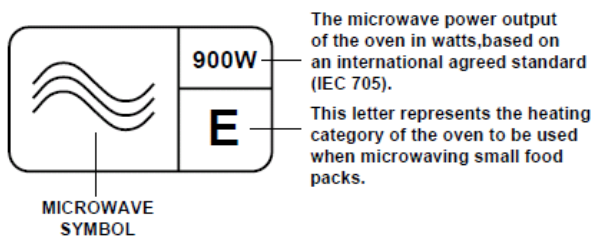
The list below is a general guide to help you select the correct utensils.

| MATERIAL | UTENSILS | MICROWAVE | GRILL | COMBI. |
|-----------------|---------------------------------|-----------|-------|--------|
| Ceramic & Glass | Heat Resistant Glassware | YES | YES | YES |
| | Glassware with Metal Decoration | NO | NO | NO |
| | Lead Glass | NO | NO | NO |
| China | Without Metal Decoration | YES | YES | YES |
| Pottery | | YES | YES | YES |
| Plastic | Regular Oven Heat-proof Ware | YES | NO | NO |
| Plastic Wrap | | YES | NO | NO |
| Metal | Metal Baking Pan | NO | YES | NO |
| | Aluminium Foil | YES | YES | NO |
| Paper | Cups, Plates, Towels | YES | NO | NO |
| Waxed Paper | | YES | NO | NO |
| Wood | | NO | NO | NO |

Combination: applicable for "microwave + grill" cooking.

MAFF RATING

Explanation of the heating category label for microwave ovens and small packs of food (up to 500g / 1lb 2oz, typical of ready meals for 1 or 2 people) as agreed by MAFF (the Ministry of Agriculture, Fisheries and Food) in conjunction with food and microwave oven manufacturers.



Oven heating category power output

| | | | |
|----------|----------|-------------|-------------|
| B | D | 650W | 750W |
| 6 | 5 | 6 | 5 |

minutes

minutes

Always follow instructions found on food packaging. The higher the power output and heating category of the oven, the less heating time is required.

Always ensure that food is piping hot before serving.

HOW TO SET THE OVEN CONTROLS

BEEPS DURING OVEN SETTINGS

- ◆ ONE BEEP: Oven accepts the entry.
- ◆ TWO BEEPS: Oven does not accept the entry. Please check and try again.

SETTING THE CLOCK

1. Press and hold CLOCK icon for 3 seconds (press it again to set clock time in 12-hour cycle).
2. Use the number pads (Minutes 10 or 1) to set the correct hour.
3. Use the number pads (Seconds 10 or 1) to set the correct minute.
4. Press CLOCK icon to confirm.

CHILD-PROOF LOCK

The child proof lock prevents unsupervised operation by little children.

To set the child proof lock: Press PAUSE/CANCEL button for 3 seconds, then a beep will sound and the indicator light will come on. In the lock state, all buttons are disabled.

To cancel the child proof lock: Press PAUSE/CANCEL button for 3 seconds, then a beep will sound and the indicator light will come off.

KITCHEN TIMER

This function can be used independently. The user can use it to time a long distance phone call for example.

1. Press "KITCHEN TIMER" button.
2. Use the number pads to enter time.
3. Press "START/QUICK START" button.

NOTE:

- Time countdown can be seen in display for 3 seconds before clock or cooking time is returned to display.
- Press KITCHEN TIMER button and then press PAUSE/CANCEL button to cancel KITCHEN TIMER during timing process.

Free Manuals Download Website

<http://myh66.com>

<http://usermanuals.us>

<http://www.somanuals.com>

<http://www.4manuals.cc>

<http://www.manual-lib.com>

<http://www.404manual.com>

<http://www.luxmanual.com>

<http://aubethermostatmanual.com>

Golf course search by state

<http://golfingnear.com>

Email search by domain

<http://emailbydomain.com>

Auto manuals search

<http://auto.somanuals.com>

TV manuals search

<http://tv.somanuals.com>