



## INSTRUCTION MANUAL

**MTS-2000 &  
MTS-2030 J-Mount**

### **Feed-Through Mounts for Cylindrical Environmental Camera Housings**



#### **About this manual**

Before installing and using this unit, please read this manual carefully. Be sure to keep it available for later reference.

## SAFETY PRECAUTIONS



The exclamation point within an equilateral triangle is intended to alert the user to presence of important operating and maintenance (servicing) instructions in the literature accompanying the appliance.

## SECURITE



Le point d'exclamation à l'intérieur d'un triangle équilatéral avertit l'utilisateur de la présence d'instructions importantes d'utilisation et de maintenance dans la documentation accompagnant l'appareil.



## SICHERHEITSVORKEHRUNGEN

Das Ausrufezeichen in dem gleichseitigen Dreieck ist dazu da, den Benutzer auf wichtige Inbetriebnahme- und Instandhaltungsvorschriften hinzuweisen, die dem Gerät in Form einer Broschüre beigelegt sind.



## PRECAUCIONES DE SEGURIDAD

El símbolo de exclamación dentro de un triángulo equilátero, se muestra con el objetivo de alertar al usuario de que instrucciones de operación y mantenimiento importantes acompañan al equipo.

## I UNPACKING

Unpack carefully. This is mechanical equipment and should be handled with care.

Check for the following items:

- Verify the unit model number.
- Instructions for Use.

If an item appears to have been damaged in shipment, replace it properly in its carton and notify the shipper. If any items are missing, notify Sanyo. The shipping carton is the safest container in which the unit may be transported. Save it for possible future use.

## 2 SERVICE

If the unit ever needs repair service, the customer should contact Sanyo.

## 3 DESCRIPTION

**MTS-2000 12-in (30-cm) feed-through mount and MTS-2030 15-in (40-cm) feed-through J-mount.**

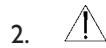
This indoor/outdoor mounting equipment is designed for fixed camera or camera housing installations up to 9 kg (20 lb) rated load. These models are made of lightweight aluminum and feature welded construction, providing an extremely rigid camera mount. The MTS-2000 and MTS-2030 can be used with the VSE-2300 and VSE-2400 series camera housings. All mounts come fully assembled.

## 4 INSTALLATION

1. Determine a secure wall mounting location.



**WARNING: All mounts are designed to support a load only in a vertical direction. Mounts MUST be positioned as shown under SPECIFICATIONS.**



### 2. CAUTIONS:

- a. For a secure installation, use four 8-mm (5/16-in) diameter fasteners (not included). Use stainless steel or zinc plated fasteners.
  - b. If bolts are used, they should extend through the mounting surface and be secured with flat washers, lock washers, and nuts on the opposite side. Each bolt must have a minimum pull-out strength of 200 kg (450 lb).
  - c. If studs are used, they should be anchored in concrete or welded to a steel backer plate. Each stud must have a minimum pull out strength of 200 kg (450 lb).
  - d. If the wall mount is attached to wood or to a blind structure (with no access to the rear), each fastener must have a minimum pull-out strength of at least 200 kg (450 lb).
3. Locate the four holes or stud locations using the flange as a template (four holes equally spaced on a 69.9-mm (2-3/4-in bolt circle).
  4. Feed wires through the large hole in the flange or through the slot on the surface where the camera housing mounts.
  5. Install the mount using bolts or studs at least 8-mm (5/16-in) in diameter.
  6. To mount the camera or camera housing:
    - a. Mount camera with a 1/4-20 bolt and lock washer (not furnished) in the center hole of the adjustable head.
    - b. Mount housings with three 1/4-20 bolts and lock washers (not furnished).
    - c. Lock mount head in position by using the supplied 1/8-inch long-arm hex wrench to tighten screws.

**SANYO INDUSTRIAL VIDEO  
HOUSINGS OR INTEGRATED CAMERA/LENS/HOUSING PACKAGES**

**OBLIGATIONS**

In order to obtain warranty service, the product must be delivered to and picked up from an Authorized Sanyo Service Center at the user's expense, unless specifically stated otherwise in this warranty. The names and addresses of Authorized Sanyo Service Centers may be obtained by calling the toll-free number listed below.

For product operation, authorized service center referral, service assistance or problem resolution, call  
**CUSTOMER INFORMATION 1- 800- 421- 5013**  
**Weekdays 8: 30 AM – 5: 00 PM Pacific Time**

For accessories and/ or parts, call  
**PARTS ORDER INFORMATION 1- 800- 726- 9662**  
**Weekdays 8: 30 AM – 5: 00 PM Pacific Time**

THIS WARRANTY IS VALID ONLY ON SANYO PRODUCTS PURCHASED OR RENTED IN THE UNITED STATES OF AMERICA, EXCLUDING ALL U. S. TERRITORIES AND PROTECTORATES. THIS WARRANTY APPLIES ONLY TO THE ORIGINAL RETAIL PURCHASER OR END USER. THE ORIGINAL DATED BILL OF SALE, SALES SLIP OR RENTAL AGREEMENT MUST BE SUBMITTED TO THE AUTHORIZED SANYO SERVICE CENTER AT THE TIME WARRANTY SERVICE IS REQUESTED.

Subject to the OBLIGATIONS above and EXCLUSIONS below, SANYO Fisher Company warrants this SANYO product against defects in materials and workmanship for the periods specified below. SFC will repair or replace (at its option) the product or any of its parts which fail to conform to this warranty. The warranty period commences on the date the product was first purchased or rented at retail.

LABOR	PARTS
3 YEARS	3 YEARS

**EXCLUSIONS**

This warranty does not cover (A) the adjustment of customer- operated controls as explained in the appropriate model's instruction manual, or (B) the repair of any product whose serial number has been altered, defaced or removed.

This warranty shall not apply to the cabinet or cosmetic parts, batteries or routine maintenance.

This warranty does not apply to uncrating, setup, installation, removal of the product for repair or reinstallation of the product after repair.

This warranty does not apply to repairs or replacements necessitated by any cause beyond the control of SFC including, but not limited to, any malfunction, defect or failure caused by or resulting from unauthorized service or parts, improper maintenance, operation contrary to furnished instructions, shipping or transit accidents, modification or repair by the user, abuse, misuse, neglect, accident, incorrect power line voltage, fire, flood or other Acts of God, or normal wear and tear.

The foregoing is in lieu of all other express warranties and SFC does not assume or authorize any party to assume for it any other obligation or liability.

SFC DISCLAIMS ALL OTHER WARRANTIES EXPRESS OR IMPLIED, WITH REGARD TO THIS PRODUCT (INCLUDING THE WARRANTIES OF MERCHANTABILITY AND FITNESS). IN NO EVENT SHALL SFC BE LIABLE FOR ANY SPECIAL, INCIDENTAL OR CONSEQUENTIAL DAMAGES ARISING FROM THE OWNERSHIP OR USE OF THIS PRODUCT OR FOR ANY DELAY IN THE PERFORMANCE OF ITS OBLIGATIONS UNDER THIS WARRANTY DUE TO CAUSES BEYOND ITS CONTROL. SFC'S LIABILITY FOR ANY AND ALL LOSSES AND DAMAGES RESULTING FROM ANY CAUSE WHATSOEVER, ARISING OUT OF OR IN CONNECTION WITH THE SALE, USE OR OWNERSHIP OF THIS PRODUCT INCLUDING WARRANTOR'S NEGLIGENCE, OR ALLEGED DAMAGED OR DEFECTIVE GOODS, WHETHER SUCH DEFECTS ARE DISCOVERABLE OR LATENT, SHALL IN NO EVENT EXCEED THE PURCHASE PRICE OF THE PRODUCT.

**ATTENTION**

For your protection in the event of theft or loss of this product, please fill in the information below for you own personal records.

**Model No** \_\_\_\_\_ **Serial No.** \_\_\_\_\_

(Located on back or bottom side of unit.)

**Date of Purchase** \_\_\_\_\_ **Purchase Price** \_\_\_\_\_

**Where Purchased** \_\_\_\_\_

## 5 SPECIFICATIONS

### 5.1 MTS-2000 12-in (30-cm) Indoor/Outdoor Feed-through Mount

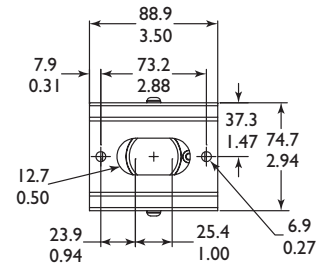
**Maximum Load:** 9 kg (20 lb).

**Mounting Head:** Adjustable. 360° pan, 180° tilt.

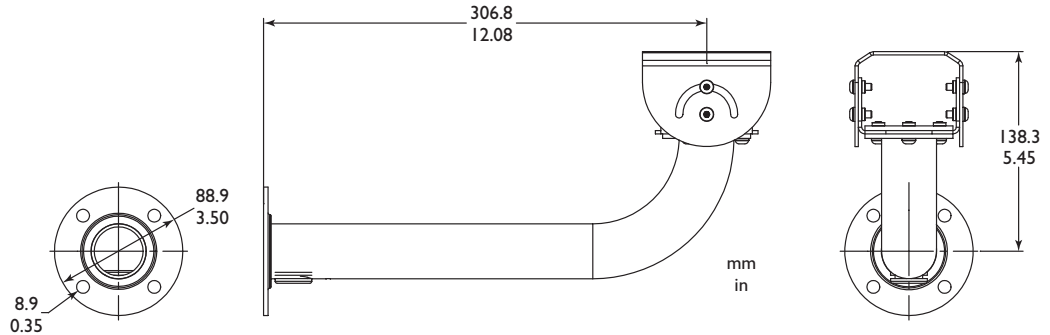
**Finish:** Dark mushroom.

**Approx. Weight:** 0.4 kg (0.9 lb).

**Accessory for MTS-2000:** MTS-2040 Pole Mount Adapter.



**WARNING:** All mounts must be mounted as shown



MTS-2000 Feed-through Mount

### 5.2 MTS-2300 15-in (40-cm) Indoor/Outdoor Feed-through J-mount

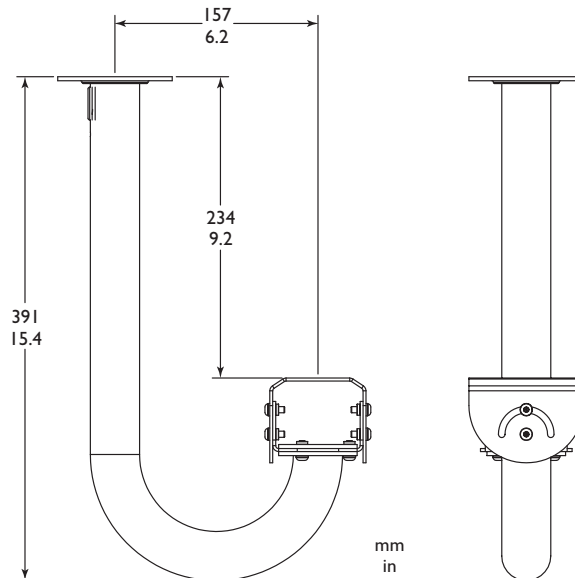
**Maximum Load:** 9 kg (20 lb).

**Mounting Head:** Adjustable. 360° pan, 180° tilt.

**Finish:** Dark mushroom.

**Approx. Weight:** 0.55 kg (1.2 lb).

**WARNING:** All mounts must be mounted as shown.



MTS-2300 Feed-through J-mount

**SANYO**

Sanyo Fisher Company  
Security Video Division  
21605 Plummer Street  
Chatsworth, CA 91311

Tel: (818) 998-7322

Fax: (818) 717-2716

Technical Support: (888) 66SANYO

## Free Manuals Download Website

<http://myh66.com>

<http://usermanuals.us>

<http://www.somanuals.com>

<http://www.4manuals.cc>

<http://www.manual-lib.com>

<http://www.404manual.com>

<http://www.luxmanual.com>

<http://aubethermostatmanual.com>

Golf course search by state

<http://golfingnear.com>

Email search by domain

<http://emailbydomain.com>

Auto manuals search

<http://auto.somanuals.com>

TV manuals search

<http://tv.somanuals.com>