

Rear Projection Display Installation Manual

REQUEST A SALES DEALER FOR INSTALLATION

Please read all instructions below and install this system properly.

Please read "SAFETY PRECAUTIONS" and "IMPORTANT SAFETY INSTRUCTIONS" on OWNER'S MANUAL to install and place this system.

This system is supplied in 3 packages and they need to be installed. Please make sure all the parts are included. If any part is missing, or if you have questions, contact a sales dealer.

Install the system following steps.

1. CHECK CONTENTS IN PACKAGES



2. ASSEMBLE BOTTOM CABINET



3. JOINT TOP AND BOTTOM CABINETS



4. SETUP PROJECTION MIRROR



5. ADJUST PROJECTION MIRROR



6. ASSEMBLE STORAGE SPACES



7. LOCK CABINET

THIS SYSTEM MUST BE INSTALLED BY 2 OR MORE PEOPLE

CAUTION

WHEN INSTALLING THIS SYSTEM, BE CAREFUL NOT TO DAMAGE THE PROJECTION SCREEN. AND NEVER TOUCH THE SURFACE OF THE PROJECTION SCREEN AND THE PROJECTION MIRROR DIRECTLY. THEY MAY EFFECT THE PROJECTION IMAGE QUALITY.

BE CAREFUL NOT TO DROP ANY PART OR TOOL LIKE SCREW INTO THE SYSTEM. IF IT SHOULD, CONTACT A SERVICE.

EXCEPT WHEN ADJUSTING THE PROJECTION MIRROR, NEVER TURN THE SYSTEM ON UNTIL THE INSTALLATION IS FINISHED. IT MAY CAUSE ELECTRICAL SHOCK OR FIRE HAZARD.

1 CHECK CONTENTS IN PACKAGES

This system is supplied in 3 packages. Make sure all the parts listed below (cabinets, Installation parts, and accessories) are included in those packages.

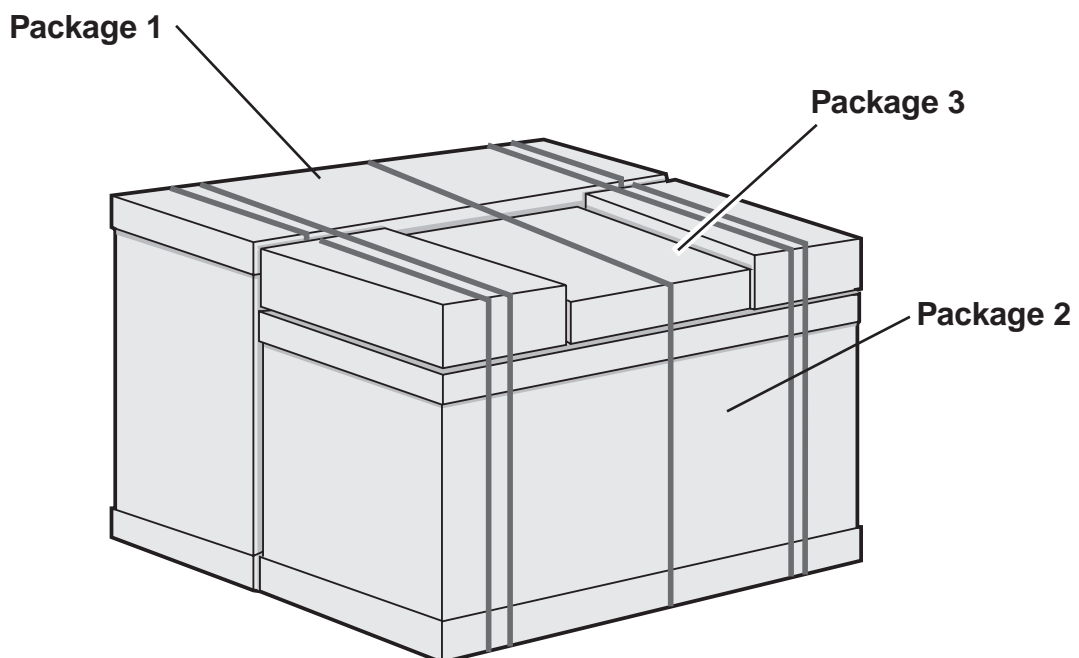
Package 1 Top Cabinet : Refer to the steps 3 to 6 for installation.

Package 2 Bottom Cabinet : Refer to the steps 2, 6 and 7 for installation.

		Qty.
Installation Parts	Glass Doors -----	2
	Compartment Shelves -----	4
	Shelves' Pins -----	16

		Qty.
Package 3	Installation Part	Center Panel ----- 1
	Accessories	Owner's Manual ----- 1
		Installation Manual (this brochure) ----- *
		AC Power Cord ----- *
		Wireless Remote Control Unit ----- 1
		Wireless/Wired Remote Control Unit ----- 1
		Remote Control Cable ----- 1
		Batteries for Remote Controls ----- 4
		VGA Cable ----- 1
		MAC/VGA Adapter ----- 1
		Mouse Cables (Serial, PS/2, ADB)----- *

The accessories marked (*) may not supplied or may be differ in quantity in some models. Refer to the Owner's Manual for details.

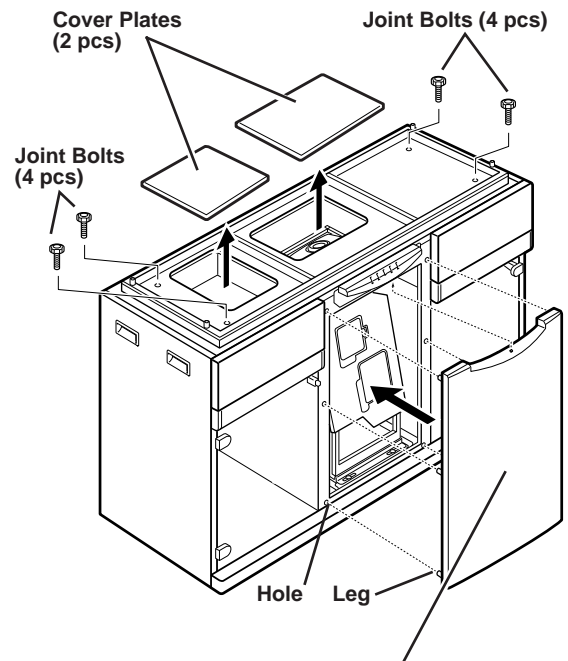


◆ Actual packages may be differ from this figure in some models.

2 ASSEMBLE BOTTOM CABINET

1 Remove Joint Bolts and Cover Plates

Remove the 4 Joint Bolts on the Bottom Cabinet. Keep these bolts for later use. They are necessary for joint the Top and Bottom Cabinets. Remove the 2 Cover Plates on the top of the Bottom Cabinet. Keep the Cover Plates for later use. Replace those plates, when the appliance needs to be transported.



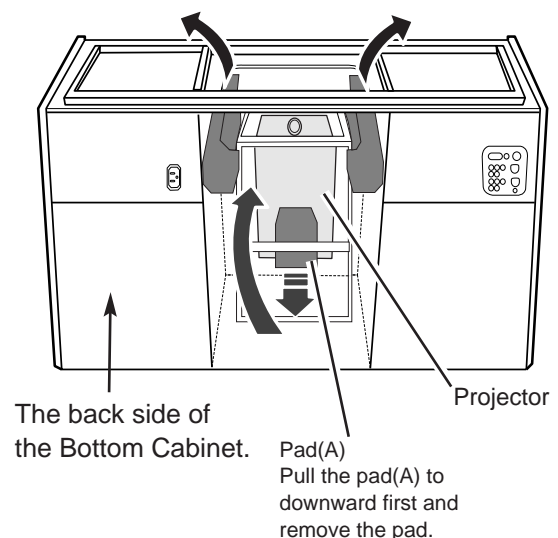
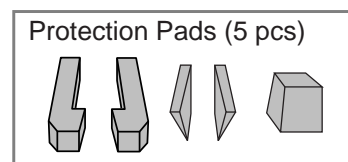
Center Panel
Meet the Center Panel and the Bottom Cabinet at the upper part first and push in the Panel securely.

2 Install Center Panel

Install the Center Panel to the Bottom Cabinet. Be sure to meet the Center Panel and the Bottom Cabinet at the upper part first, and insert the 6 legs of Center Panel to the holes of the Bottom Cabinet. Be sure to set the Center Panel securely.

3 Remove Protection Pads

There are the 5 Protection Pads inside of the Bottom Cabinet for protection against shock or vibration. Remove the 4 Pads supporting at the upper side of the Bottom Cabinet first. And then, remove the pad(A) supporting at the lower side of the projector. When removing the pad(A), pull downward first and remove the pad.



⚠ CAUTION

WHEN REMOVING THE PROTECTION PADS, BE CAREFUL NOT TO BROKE THE WIRING INSIDE OF THE BOTTOM CABINET.

BE SURE TO REMOVE ALL THE PROTECTION PADS INSIDE OF THE CABINET. AND BE CAREFUL NOT TO LEAVE ANY PAD OR FRAGMENT IN THE CABINET. IT MAY RESULT IN FIRE HAZARDS.

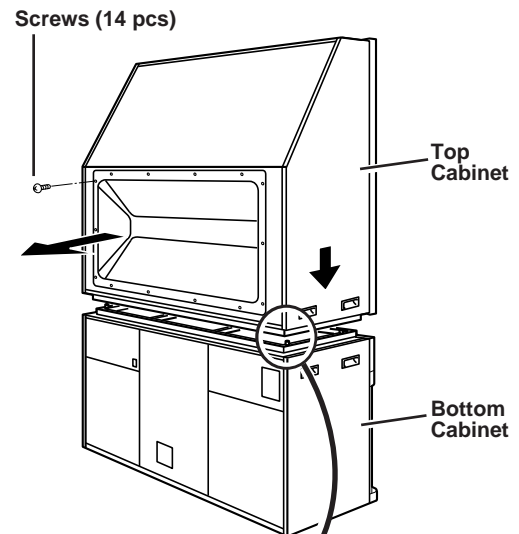
3 JOINT TOP AND BOTTOM CABINETS

1 Joint Top and Bottom Cabinets

Lift the Top Cabinet and put it on the Bottom Cabinet. When setting the Top Cabinet, be sure the frame of the Bottom Cabinet is fitted into the frame of the Top Cabinet completely.

CAUTION

THE TOP CABINET OF THIS PROJECTOR HAS ITS GRAVITY AT THE SCREEN SIDE. WHEN LIFTING THE TOP CABINET, BE CAREFUL NOT TO DROP.

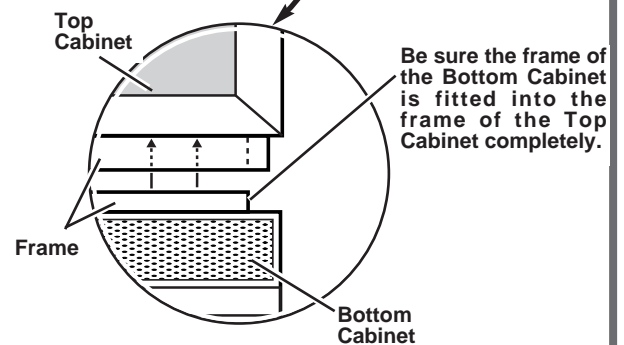


2 Remove Back Cover

Remove the 14 Screws and the Back Cover. Keep the screws and Back Cover. All the installations are finished, all those parts should be replaced.

3 Remove Cover Plate

Remove the Cover Plate on the lower part of the Top Cabinet. Keep the Cover Plate for later use. Replace this plate when the appliance need to be transported.

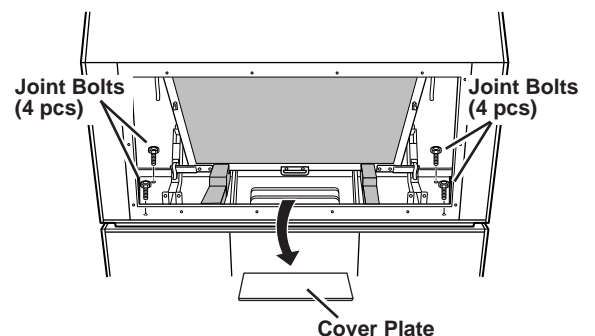


4 Fix the Cabinets

Joint the Top and the Bottom Cabinets with the 4 Joint Bolts securely.

CAUTION

BE SURE TO FIX THE CABINETS WITH JOINT BOLTS. IF THE TOP AND THE BOTTOM CABINETS ARE NOT FIXED PROPERLY, THE TOP CABINET MAY BE DROPPED OR FALL DOWN.



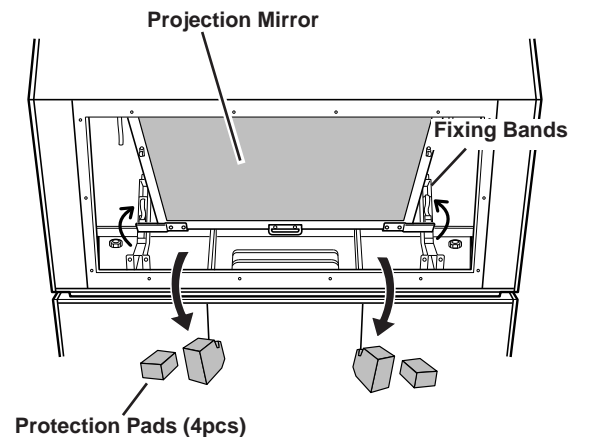
4 SETUP PROJECTION MIRROR

1 Preparation

Remove the 4 Protection Pads inside of the Top Cabinet and remove the 2 Fixing Bands (right and left) of the Projection Mirror.

CAUTION

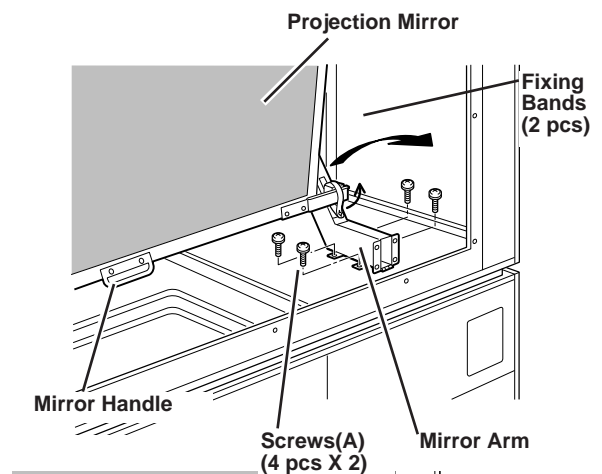
NEVER TOUCH THE PROJECTION MIRROR DIRECTLY. IT MAY EFFECT THE PROJECTION IMAGE QUALITY. MOVE THE MIRROR BY HOLDING THE MIRROR HANDLE.
BE SURE TO REMOVE ALL THE PROTECTION PADS FROM THE CABINET.



2 Set Mirror Arms

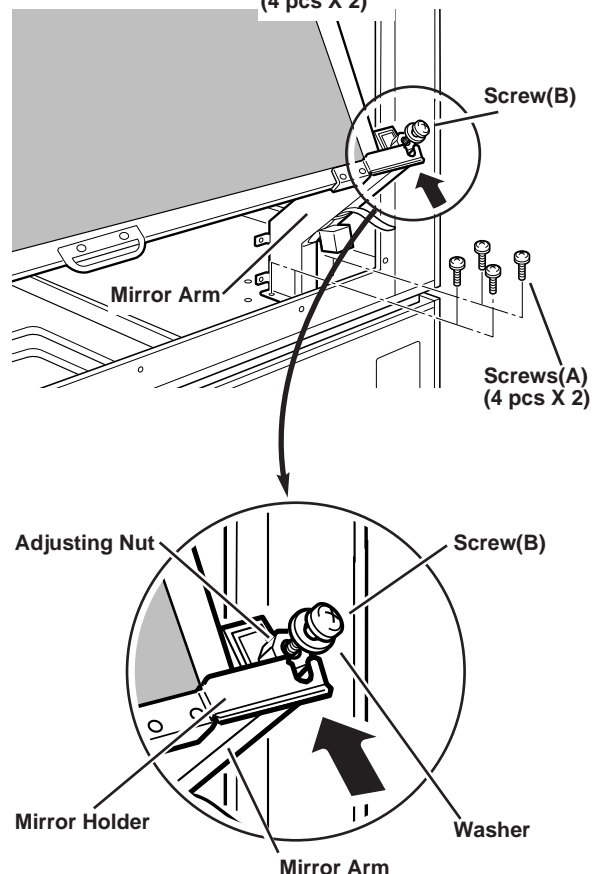
Remove the 8 Screws(A) of the Mirror Arms. Lift the Projection Mirror and raise the Mirror Arms backward.

Loosen the Screws(B) on the end of the Mirror Arms. Put the Mirror Holder between the Adjusting Nut and the Washer at each side of the Mirror. And then fix the Mirror Holders on the Mirror Arms with the Screws(B) temporary.



3 Fix Projection Mirror

Fix the Mirror Arms on the Cabinet with the Screws(A). Fix the Projection Mirror to the end of the Mirror Arms with the Screws(B) securely.



5 ADJUST PROJECTION MIRROR

When the figure of the projection image does not match the Projection Screen, adjust the Projection Mirror. If the figure fits the Projection Screen precisely, skip the steps 2, 3 and 4 and replace the Back Cover.

1 Check Projection Image

Connect the projector to the AC outlet, and turn the projector on. Connect the video output equipment to the projector. Project the image of cross-hatch or circles to check whether the picture is displayed fully on the Projection Screen and is not distorted. (Refer to the Owner's Manual for operation.)

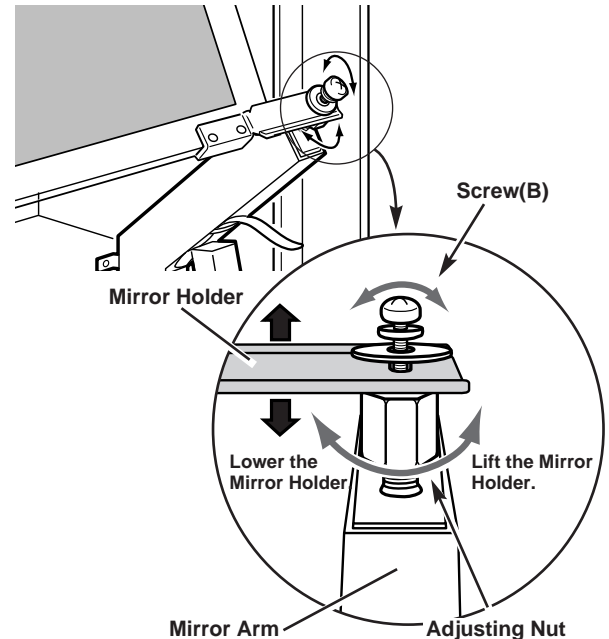
If the figure is distorted, adjust the Projection Mirror following the steps 2 to 4 below.

If the picture is displayed properly, adjustment of the Mirror is not required. Skip the steps below and replace the back cover.

2 Adjust Projection Mirror

Adjust the Projection Mirror by turning the Adjusting Nuts. Move the Projection Mirror up or down by turning the Adjusting Nuts on the both sides of the Projection Mirror. Adjust Screw(B) if it required.

Refer to the figure on the right for the image movement with the Adjusting Nut.



3 Fix Projection Mirror

Fix the Projection Mirror where the picture is displayed properly. Fix the Screw(B) securely.

When fixing the Screw(B) the figure may be distorted again. When it should happen, readjust the Mirror following the steps 2 to 4.

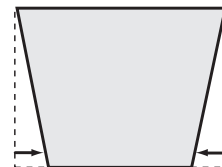
4 Turn the projector off

Turn off the projector and disconnect it from the AC outlet.

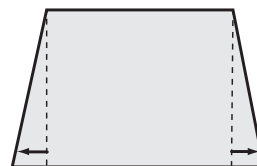
CAUTION

DO NOT STARE DIRECTLY INTO THE LENS. EYE DAMAGE COULD RESULT. WHEN ADJUSTING THE MIRROR, NEVER TOUCH THE PARTS EXCEPT THE MIRROR. IT MAY RESULT IN ELECTRICAL SHOCK.

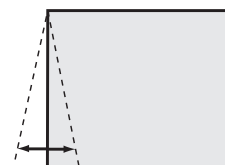
Turn Adjusting Nuts to adjust the screen image.



When turning the Adjusting Nuts on both sides to the right, the lower part of the image becomes narrow.



When turning the Adjusting Nuts on both sides to the left, the lower part of the image is stretched.

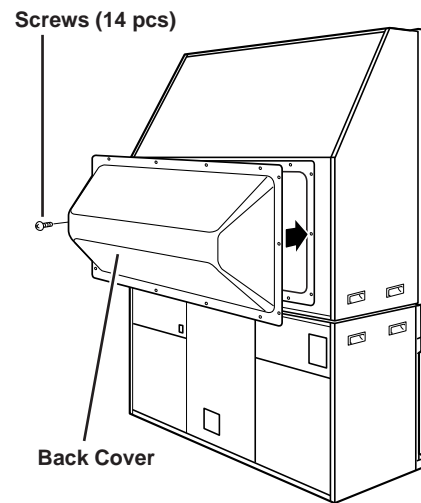


When turning the Adjusting Nuts on one side to the left or the right, one side of the figure is shortened or stretched.

6 ASSEMBLE STORAGE SPACES

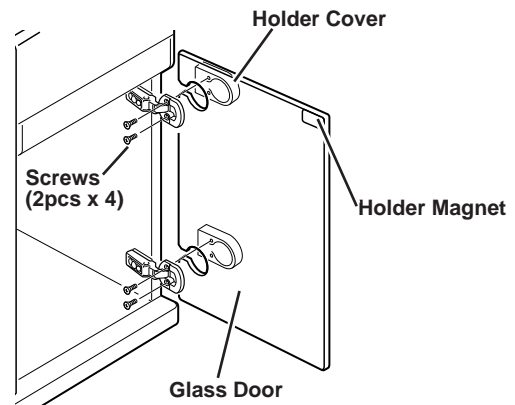
1 Replace Back Cover

Replace the Back Cover to the Top Cabinet. Turn the Back Cover over, and fix the cover in the reverse to the initial position.



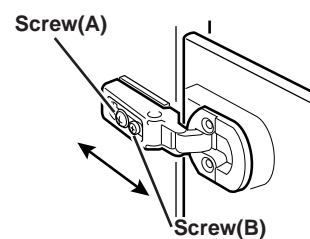
2 Install Glass Doors

1. Remove the Hinge Covers by removing the 2 screws of each Hinge.
2. Hold the Glass Doors between the Glass Hinges and the Hinge Covers. Install the Glass Doors so that the side with the Holder Magnet is matched to the magnet inside of the Storage Spaces. Do not install the Glass Doors in the reverse. Tighten the screws and fix the Glass Doors.



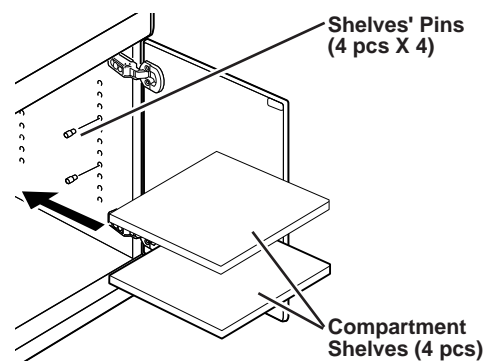
3 Adjustments of Doors

1. When adjusting the position of the Glass Doors, loose the Screws(A) and move the Glass Doors with the Hinges to the arrow direction until the surface of the door matches to the surface of the Cabinet Front.
2. When adjusting the tilt of the Glass Doors, adjust the Screws(B) (lower and upper) and move the Glass Doors.



4 Install Compartment Shelves

Insert the Shelves' Pins into appropriate position of the walls of Storage Spaces. Install the Compartment Shelves in Storage Spaces.



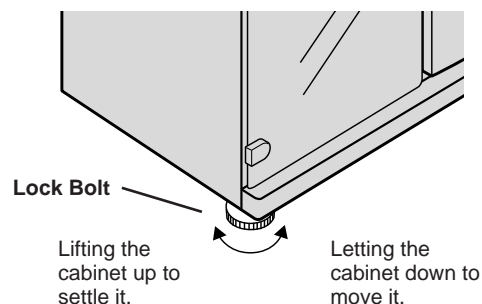
7 LOCK CABINET

1 Lock the Cabinet

Turn Lock Bolts to the direction indicated on the figure to lock the cabinet on the floor. Make sure that all the Casters are slightly raised from the floor. The tilt of Cabinet can be also adjusted with these Lock Bolts.

CAUTION

BE SURE TO LOCK THE CABINET WITH LOCK BOLTS PROPERLY. IF THE CABINET IS NOT LOCKED, CABINET IS UNSTABLE AND MAY FALL DOWN.



Cabinet Dimensions (W x H x D) : 1532 mm (60.3") x 1968mm (77.5") x 747mm (29.4")
Net Weight : 145kg (319.7lbs)

Free Manuals Download Website

<http://myh66.com>

<http://usermanuals.us>

<http://www.somanuals.com>

<http://www.4manuals.cc>

<http://www.manual-lib.com>

<http://www.404manual.com>

<http://www.luxmanual.com>

<http://aubethermostatmanual.com>

Golf course search by state

<http://golfingnear.com>

Email search by domain

<http://emailbydomain.com>

Auto manuals search

<http://auto.somanuals.com>

TV manuals search

<http://tv.somanuals.com>