

# ECO-i™ Submittal Data



Building Life.

## SHA-KT256BA

Intelligent Controller: For use on all ECO-i™ Indoor Units

Job Name: \_\_\_\_\_  
 Location: \_\_\_\_\_  
 Engineer: \_\_\_\_\_  
 Submitted to: \_\_\_\_\_  
 Submitted by: \_\_\_\_\_  
 Reference: \_\_\_\_\_

Approval: \_\_\_\_\_  
 Date: \_\_\_\_\_  
 Construction: \_\_\_\_\_  
 Unit #: \_\_\_\_\_  
 Drawing #: \_\_\_\_\_

### Features/Benefits

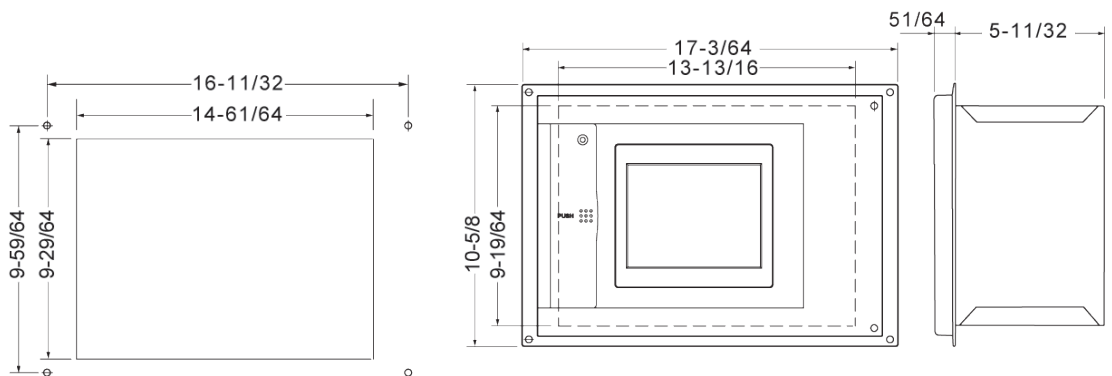
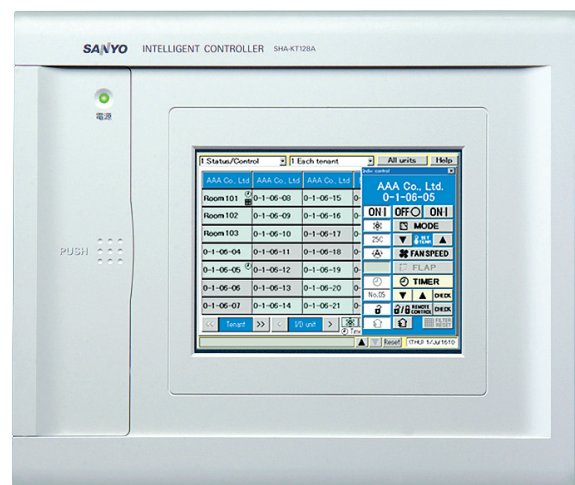
- Controls up to 128 Units
- 6.5 Inch Touch Screen Panel
- Diagnostic History of System Past and Present
- Web Accessable/Real Time Diagnostics
- Individual Zone Override Feature (high/low setting)
- Provides Tenant Billing Data
- Available Alarm Contact for Remote Monitoring
- Maximum Installation of Two System Controls (One main, One sub)

### Applications

- Healthcare Facilities
- Office Buildings
- Apartment Buildings
- Assisted Living

### Warranty

1 Year



(Unit: inch)

## Free Manuals Download Website

<http://myh66.com>

<http://usermanuals.us>

<http://www.somanuals.com>

<http://www.4manuals.cc>

<http://www.manual-lib.com>

<http://www.404manual.com>

<http://www.luxmanual.com>

<http://aubethermostatmanual.com>

Golf course search by state

<http://golfingnear.com>

Email search by domain

<http://emailbydomain.com>

Auto manuals search

<http://auto.somanuals.com>

TV manuals search

<http://tv.somanuals.com>