

PARTS LIST

Vacuum Cleaner

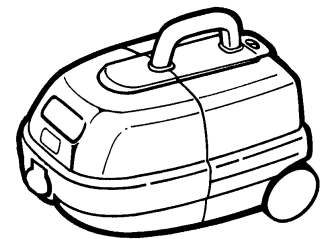
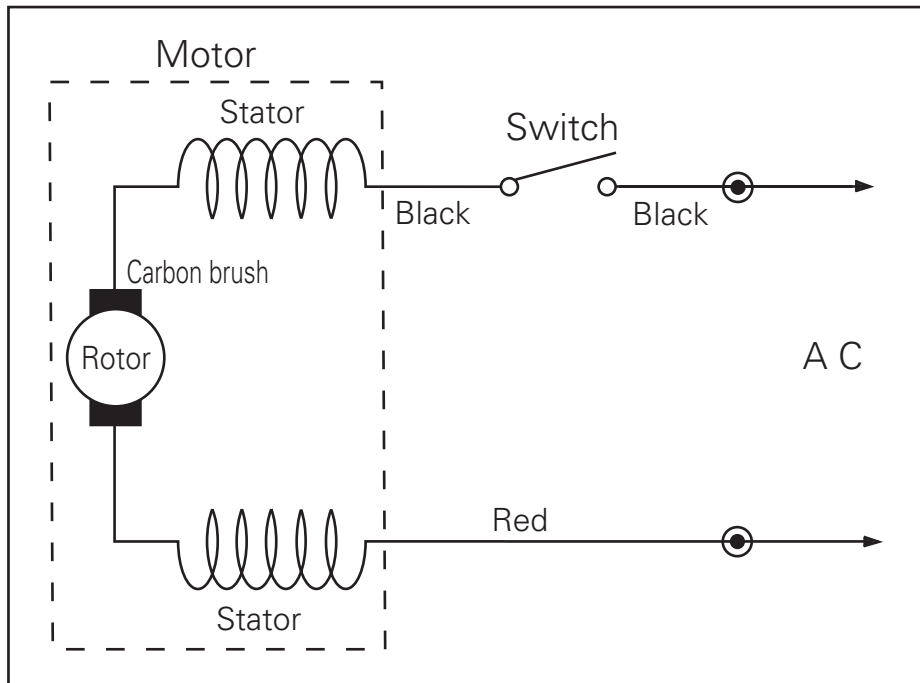
SC-24L (U.S.A.)

Specifications

Power source	: AC 120 V 60 Hz
Power consumption	: 6.0 A
Motor revolution	: 29,500 r.p.m.
Vacuum	: 1,950 mmAq
Dimensions LXWXH	: 13 - 19/32" x 9 - 17/32" x 10 - 1/4" (345 x 242 x 260 mm)
Net weight	: 5 lbs. 8 ozs. (2.5 Kg)
Attachment	: Suction hose, Floor tool, Rotary bend, Connection pipe, Crevice tool, Upholstery brush

PRODUCT CODE NO.
1 - 326 593 04 (L)

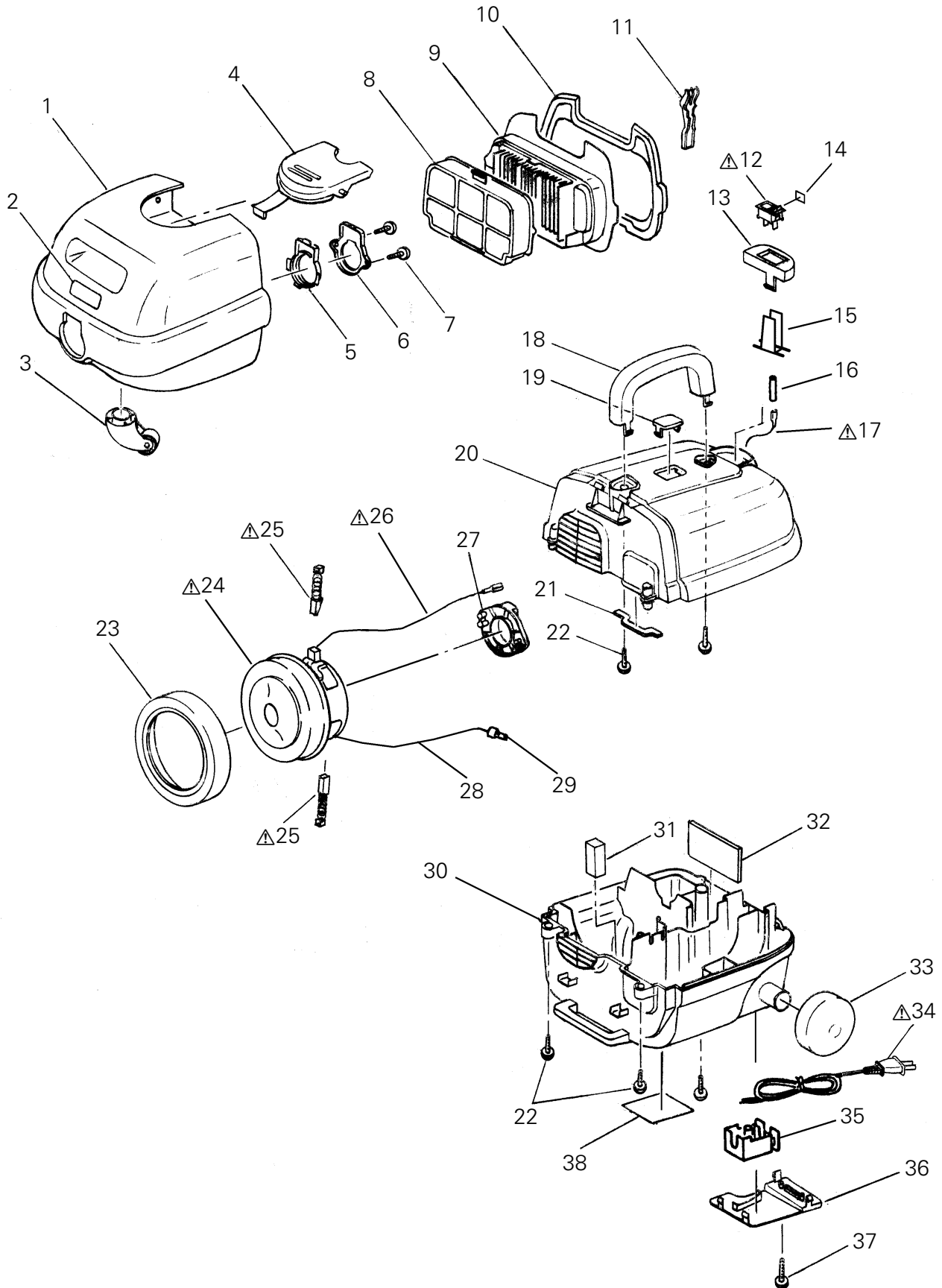
Wiring Diagram



Exploded View (Main unit)

NOTE: The parts marked with \triangle have special characteristics of safety, if replace the \triangle mark parts, use only SANYO specified parts.

SC-24L (U.S.A.)



**Parts List
(Main unit)**

NOTE: The parts marked with \triangle have special characteristics of safety,
if replace the \triangle mark parts,use only SANYO specified parts.

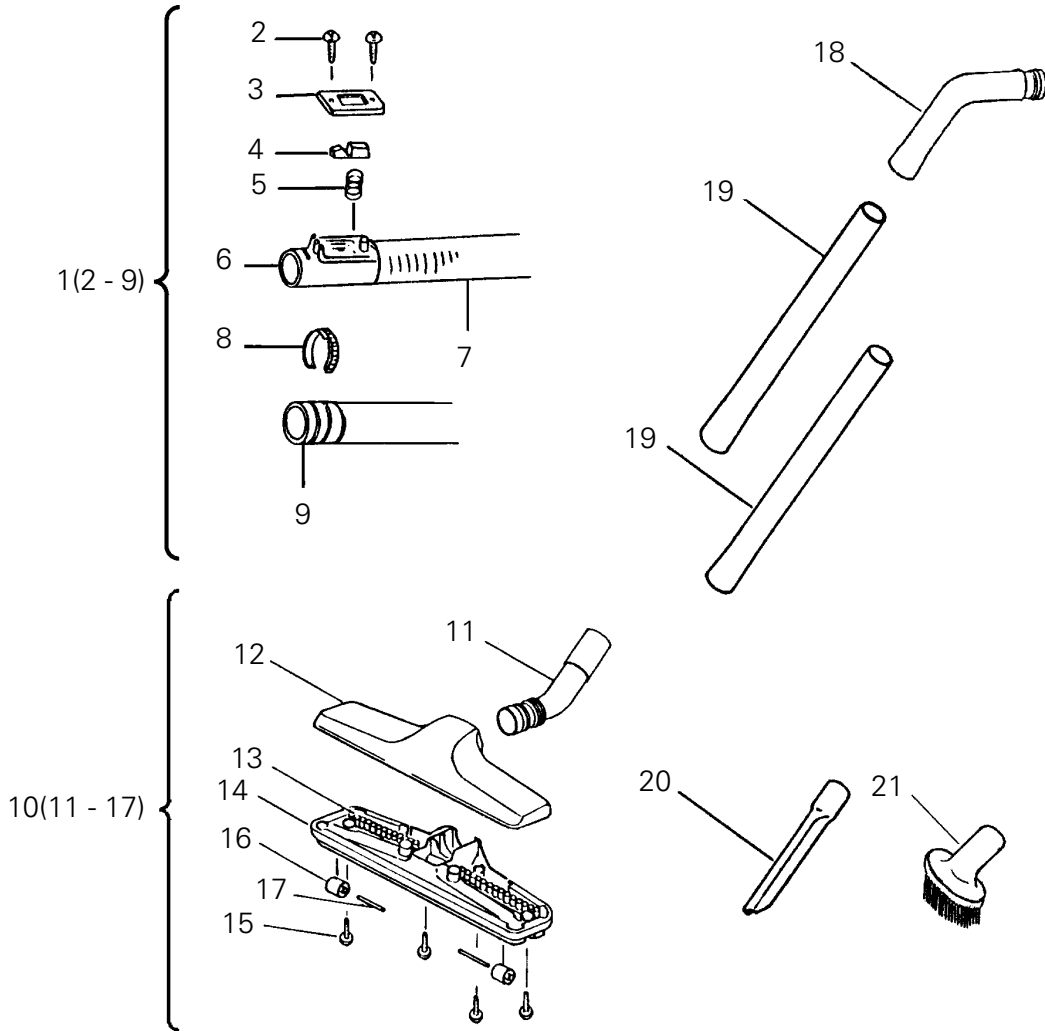
SC-24L (U.S.A.)

Key No.	Parts No.	Description	Q'ty	Key No.	Parts No.	Description	Q'ty
1	616 140 6729	DUST BOX (B-473)	1				
2	616 131 1856	DUST BOX INSCRIPTION (NN-B)	1				
3	616 000 1314	CASTER (NN-B)	1				
4	616 140 6736	CRAMP HOOK (B-474)	1				
5	616 004 5219	AIR INLET PACKING (NN-B)	1				
6	616 004 5486	AIR INLET FITTING	1				
7	411 006 8103	SCR TPG PAN 4X16	2				
8	616 103 8982	PRE FILTER	1				
9	616 103 8999	DUST FILTER ASSEMBLY	1				
10	616 103 9002	DUST FILTER PACKING (NN-05)	1				
11	616 115 3081	DUSTER ARM (NN-B)	1				
\triangle 12	616 129 2391	SWITCH	1				
13	616 140 6651	SWITCH ORNAMENT (B-474)	1				
14	616 011 9422	CAUTION LABEL	1				
15	616 140 6521	SWITCH HOLDER	1				
16	616 129 2520	VINYL TUBE (L=20)	1				
\triangle 17	616 129 7525	CORD ASSEMBLY (BLACK) L=280	1				
18	616 115 3043	HANDLE (NN-B)	1				
19	616 140 6668	CASE ORNAMENT (B-474)	1				
20	616 140 6675	CASE UPPPER (B-474)	1				
21	616 103 8739	POLYURETHANE FORM A	1				
22	411 006 8301	SCR TPG PAN 4X20	5				
23	616 103 0375	MOTOR CUSHION FRONT (NN-B)	1				
\triangle 24	616 107 1910	MOTOR COMP. (AC 120V)	1				
\triangle 25	616 100 0262	CARBON BRUSH ASSEMBLY	2				
\triangle 26	616 129 2544	CORD ASSEMBLY (BLACK) L=350	1				
27	616 100 7094	MOTOR CUSHION REAR	1				
28	616 103 0122	LEAD WIRE (RED) L=250	1				
29	616 095 1855	WIRE CONNECTOR (CE-230)	2				
30	616 140 6682	CASE LOWER (B-474)	1				
31	616 103 8821	INDICATOR FILTER	1				
32	616 109 6234	OUTLET FILTER	1				
33	616 103 8845	WHEEL REAR (NN-B)	2				
34	616 129 2384	POWER CORD (U2)	1				
35	616 140 6699	CORD INLET COVER S (B-474)	1				
36	616 140 6705	CORD INLET COVER (B-474)	1				
37	411 067 5202	SCR TPG PAN 3X20	1				
38	616 140 6712	NAME PLATE	1				

COLOR CODE:B-473(BLUE),NN-05(GRAY),NN-B(BLACK)

**Exploded View
(Attachment)**

SC-24L (U.S.A.)



Parts List

Key No.	Parts No.	Description	Q'ty	Key No.	Parts No.	Description	Q'ty
1	616 129 2445	SUCTION HOSE COMP. KEYNO.2-9	1	16	616 129 2506	WHEEL SMALL (NN-B)	2
2	411 067 8708	SCR TPG PAN 3X8M	2	17	616 104 8936	SHAFT FRONT	2
3	616 115 3104	HOSE HOOK COVER (NN-B)	1	18	616 126 9911	ROTARY BEND (NN-B)	1
4	616 018 1184	HOSE HOOK (NN-B)	1	19	616 115 3159	CONNECTION PIPE (NN-B)	2
5	616 018 1283	HOSE HOOK SPRING	1	20	616 115 8147	CREVICE TOOL (NN-B)	1
6	616 115 3111	HOSE JOINT PIPE A (NN-B)	1	21	616 017 3592	UPHOLSTERY BRUSH ASSEMBLY (NN-B)	1
7	616 123 4353	SUCTION HOSE (NN-B)	1				
8	616 115 3128	ROTARY BEND SET RING (NN-B)	1				
9	616 115 3135	HOSE GRIP PIPE (NN-B)	1				
10	616 129 2452	FLOOR TOOL COMP. KEYNO.11-17	1				
11	616 129 2469	BEND (NN-B)	1				
12	616 129 2476	FLOOR TOOL CASE(NN-B)	1				
13	616 129 2483	FLOOR TOOL BASE ASSEMBLY	1				
14	616 129 2490	FLOOR TOOL BUMPER(NN-B)	1				
15	411 006 8103	SCR TPG PAN 4X16	4				

COLOR CODE:NN-B(BLACK)

For Parts or Service Contact
SANYO FISHER SERVICE CORPORATION.
 1411 West 190th Street Suite 700
 South Bay Corporate Center Gardena, CA 90248

Free Manuals Download Website

<http://myh66.com>

<http://usermanuals.us>

<http://www.somanuals.com>

<http://www.4manuals.cc>

<http://www.manual-lib.com>

<http://www.404manual.com>

<http://www.luxmanual.com>

<http://aubethermostatmanual.com>

Golf course search by state

<http://golfingnear.com>

Email search by domain

<http://emailbydomain.com>

Auto manuals search

<http://auto.somanuals.com>

TV manuals search

<http://tv.somanuals.com>