

PARTS LIST

Vacuum Cleaner

SC-270 (U.S.A.)

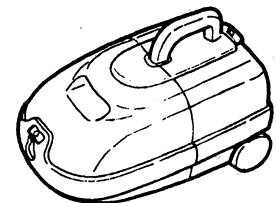
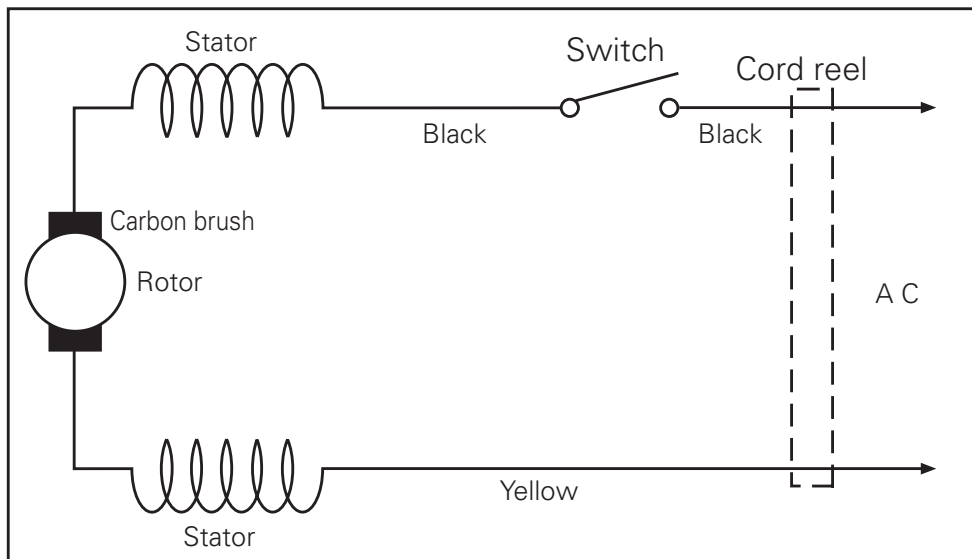
Specifications

Power source	: AC 120 V 60 Hz
Power consumption	: 7.0 A
Motor revolution	: 31,200 r.p.m.
Vacuum	: 17,500 Pa
Dimensions L X W X H	: 14 - 27/32" x 9 - 7/16" x 10 - 1/4" (377 x 240 x 260 mm)
Net weight	: 6 lbs. 6 ozs. (2.9 Kg)
Attachment	: Suction hose, Floor tool, Rotary bend, Connection pipe, Crevice tool, Upholstery brush, Toll storage

PRODUCT CODE NO.

1 - 326 730 02 (Y)

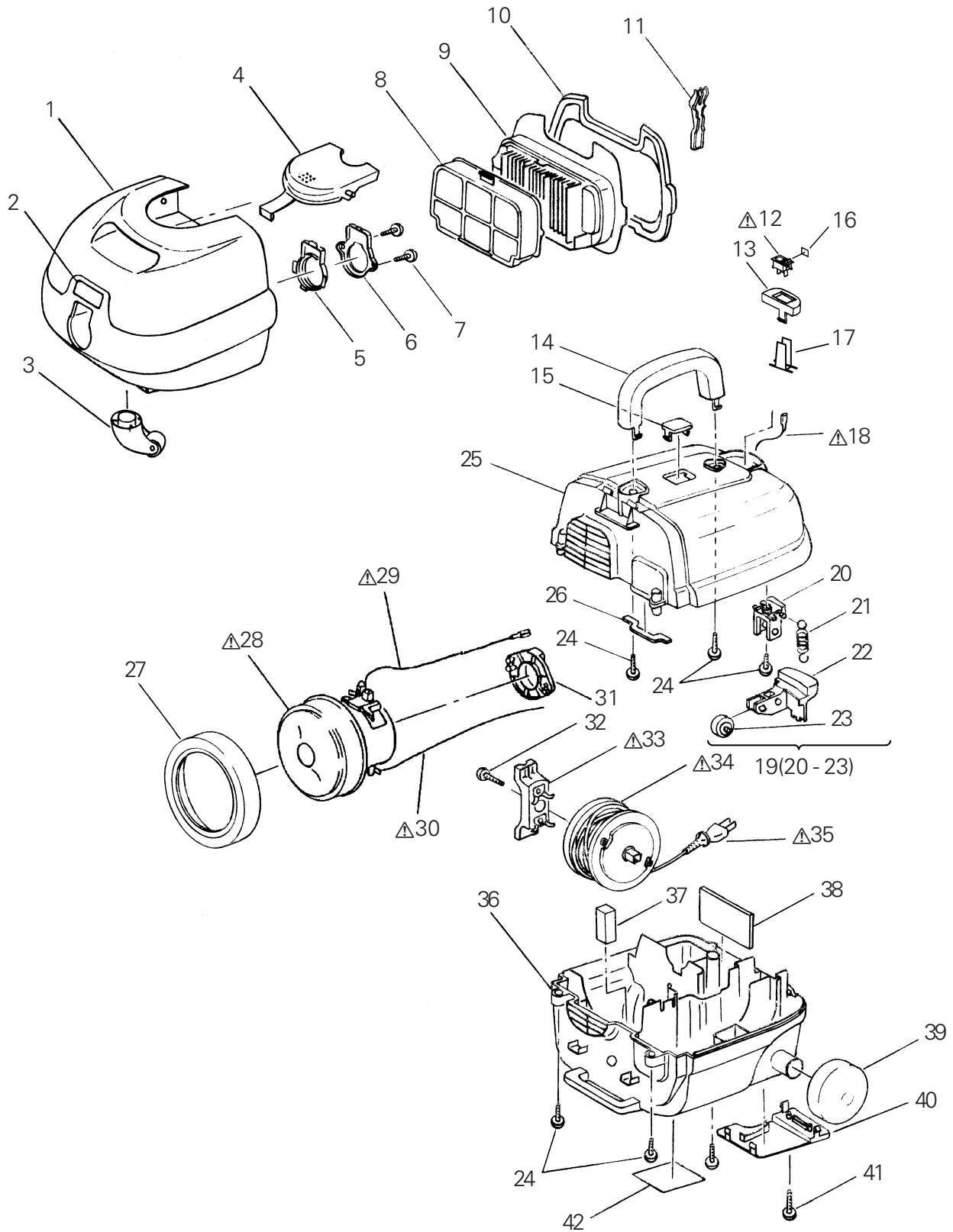
Wiring Diagram





**Exploded View
(Main unit)**

NOTE: The parts marked with Δ have special characteristics of safety, if replace the Δ mark parts, use only SANYO specified parts.










SC-270(U.S.A.)



**Parts List
(Main unit)**

NOTE: The parts marked with  have special characteristics of safety,
if replace the  mark parts,use only SANYO specified parts.

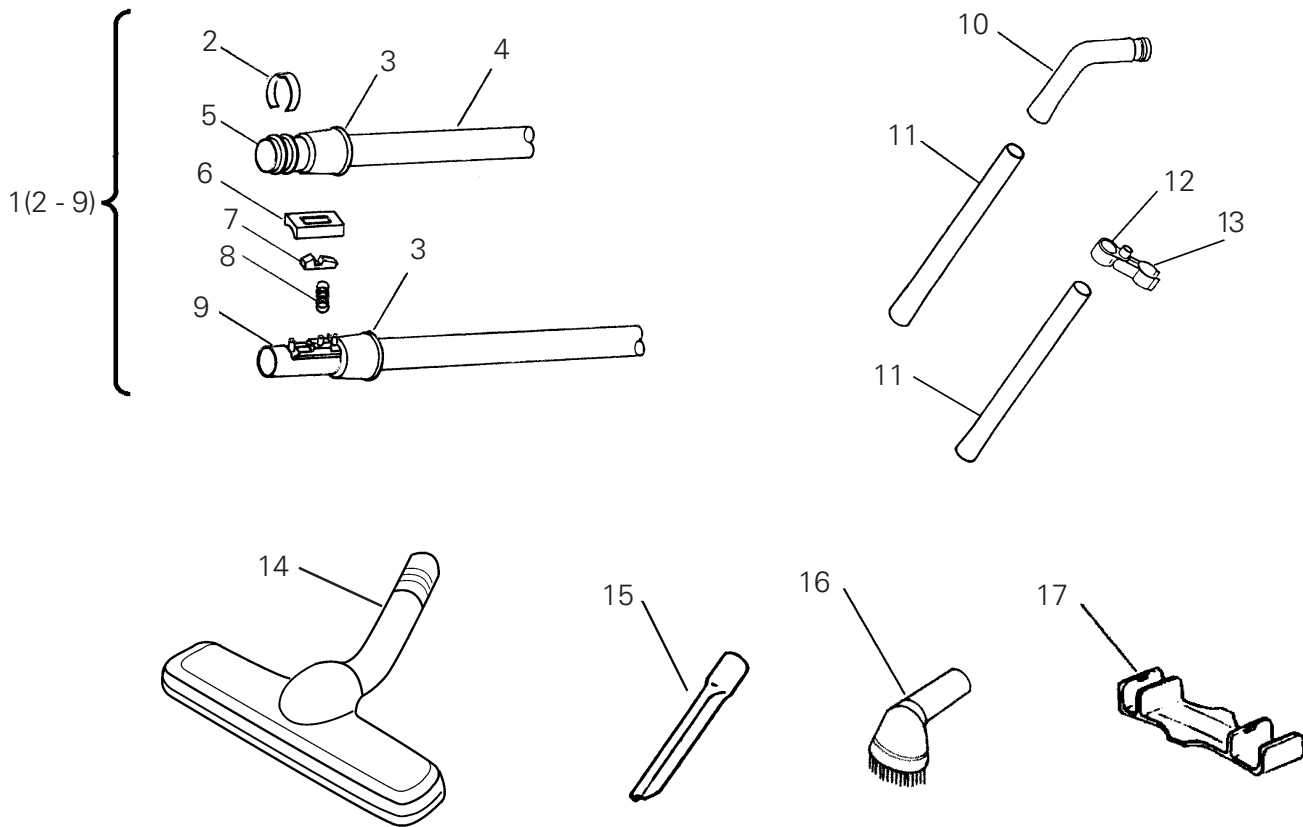
SC-270(U.S.A.)

Key No.	Parts No.	Description	Q'ty	Key No.	Parts No.	Description	Q'ty
1	663 000 0014	DUST BOX (Y-108)	1				
2	663 000 0021	DUST BOX INSCRIPTION	1				
3	663 000 0038	CASTER	1				
4	663 000 0045	CRAMP HOOK (Y-101)	1				
5	663 000 0052	AIR INLET PACKING (NN-B)	1				
6	663 000 0069	AIR INLET FITTING	1				
7	663 000 0076	SCREW (4X16)	2				
8	663 000 0083	PRE FILTER (NATURAL)	1				
9	663 000 0090	DUST FILTER ASSEMBLY	1				
10	663 000 0106	DUST FILTER PACKING (NN-B)	1				
11	663 000 0113	DUSTER ARM (NN-B)	1				
	12 663 000 0120	SWITCH	1				
13	663 000 0137	SWITCH ORNAMENT (Y-101)	1				
14	663 000 0144	HANDLE (NN-B)	1				
15	663 000 0151	CASE ORNAMENT (Y-101)	1				
16	663 000 0656	CAUTION LABEL	1				
17	663 000 0175	SWITCH HOLDER	1				
	18 663 000 0182	CORD ASSEMBLY (BLACK) L=280	1				
19	663 000 0199	BRAKE ROLLER ASSEMBLY A KEYNO.20-23	1				
20	663 000 0205	BRAKE ARM BRACKET	1				
21	663 000 0212	BRAKE SPRING	1				
22	663 000 0229	BRAKE ARM (Y-101)	1				
23	663 000 0236	BRAKE ROLLER ASSEMBLY B	1				
24	663 000 0243	SCREW (4X20)	6				
25	663 000 0250	CASE UPPER (Y-101)	1				
26	663 000 0267	POLYURETHANE FOAM A	1				
27	663 000 0274	MOTOR CUSHION FRONT	1				
	28 663 000 0281	MOTOR COMP. (AC 120 V)	1				
	663 000 0298	CARBON BRUSH ASSEMBLY	2				
	29 663 000 0304	CORD ASSEMBLY (BLACK) L=350	1				
	30 663 000 0311	CORD ASSEMBLY (YELLOW) L=300	1				
31	663 000 0328	MOTOR CUSHION REAR	1				
32	663 000 0335	SCREW (4X16)	1				
	33 663 000 0342	REEL SUPPORTER ASSEMBLY	1				
	34 663 000 0359	CORD REEL COMP. INCL/P.CO	1				
	35 663 000 0366	POWER CORD (U2)	1				
36	663 000 0373	CASE LOWER (Y-101)	1				
37	663 000 0380	INDICATOR FILTER	1				
38	663 000 0397	OUTLET FILTER	1				
39	663 000 0403	WHEEL REAR (NN-B)	2				
40	663 000 0410	CORD INLET COVER (Y-101)	1				
41	663 000 0427	SCREW (3X20)	1				
42	663 000 0779	NAME PLATE	1				

COLOR CODE:Y-101/Y104(YELLOW),NN-B(BLACK)

**Exploded View
(Attachment)**

SC-270(U.S.A.)



Parts List

Key No.	Parts No.	Description	Q'ty	Key No.	Parts No.	Description	Q'ty
1	663 000 0441	SUCTION HOSE COMP. KEYNO.2-9	1	16	663 000 0595	UPHOLSTERY BRUSH ASSEMBLY	1
2	663 000 0458	ROTARY BEND SET RING (NN-B)	1	17	663 000 0601	TOOL STORAGE (Y-101)	1
3	663 000 0465	SUCTION HOSE COVER (NN-B)	2		663 000 0762	INSTRUCTION MANUAL	1
4	663 000 0472	SUCTION HOSE (NN-B)	1				
5	663 000 0489	HOSE GRIP PIPE (NN-B)	1				
6	663 000 0496	HOSE HOOK COVER	1				
7	663 000 0502	HOSE HOOK	1				
8	663 000 0519	HOSE HOOK SPRING	1				
9	663 000 0526	HOSE JOINT PIPE A (NN-B)	1				
10	663 000 0533	ROTARY BEND (NN-B)	1				
11	663 000 0540	CONNECTION PIPE (NN-B)	2				
12	663 000 0557	PIPE RETAINER A (NN-B)	1				
13	663 000 0564	PIPE RETAINER B (NN-B)	1				
14	663 000 0571	FLOOR TOOL COMP.	1				
15	663 000 0588	CREVICE TOOL	1				

COLOR CODE:Y-101(YELLOW),NN-B(BLACK)

For Parts or Service Contact
SANYO FISHER SERVICE CORPORATION.
 21605 Plummer Street,
 Chatsworth, CA 91311

Free Manuals Download Website

<http://myh66.com>

<http://usermanuals.us>

<http://www.somanuals.com>

<http://www.4manuals.cc>

<http://www.manual-lib.com>

<http://www.404manual.com>

<http://www.luxmanual.com>

<http://aubethermostatmanual.com>

Golf course search by state

<http://golfingnear.com>

Email search by domain

<http://emailbydomain.com>

Auto manuals search

<http://auto.somanuals.com>

TV manuals search

<http://tv.somanuals.com>