

## PARTS LIST

## Vacuum Cleaner

## SC-30L (U.S.A.)

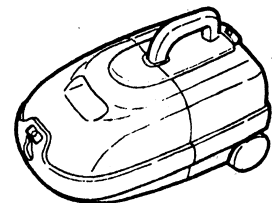
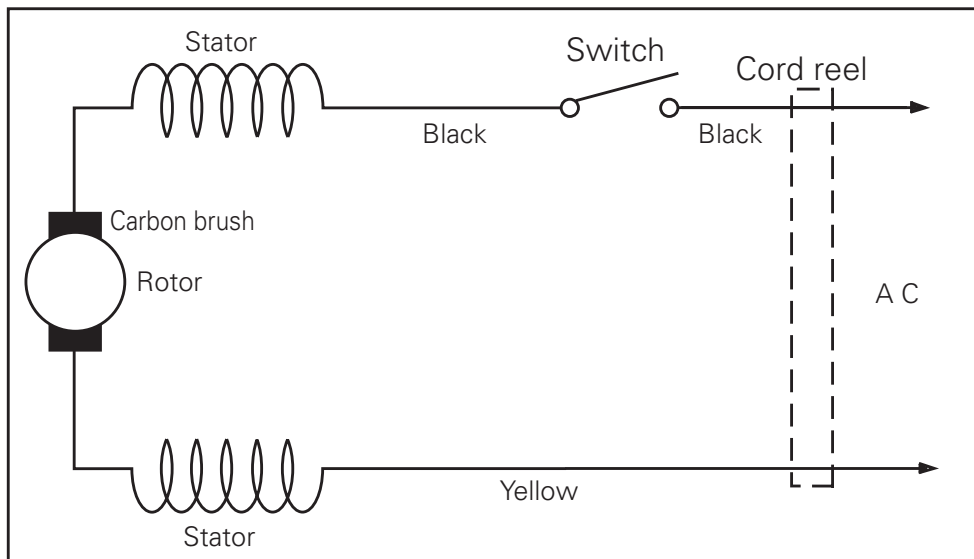
### Specifications

Power source	: AC 120 V 60 Hz
Power consumption	: 8.5A
Motor revolution	: 32,600 r.p.m.
Vacuum	: 1,900 mmAq
Dimensions LXWXH	: 14 - 27/32" x 9 - 7/16" x 10 - 1/4" (377 x 240 x 260 mm)
Net weight	: 6 lbs. 6 ozs. ( 2.9 Kg )
Attachment	: Suction hose, Floor tool, Rotary bend, Connection pipe, Crevice tool, Upholstery brush, Toll storage



### PRODUCT CODE NO.

1 - 326 428 02 ( L )

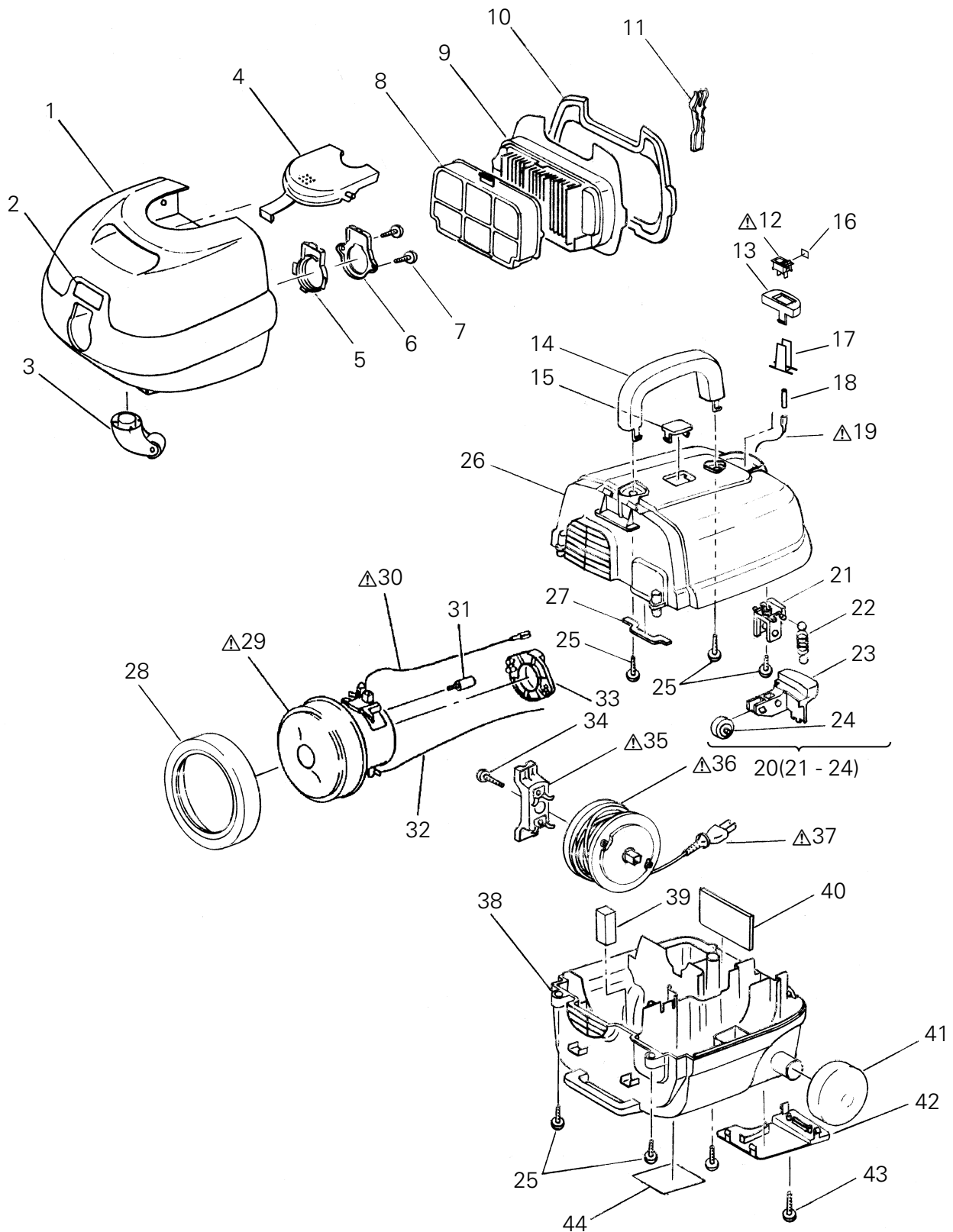
### Wiring Diagram





# Exploded View (Main unit)

NOTE: The parts marked with  have special characteristics of safety, if replace the  mark parts, use only SANYO specified parts.









SC-30L (U.S.A.)



**Parts List  
(Main unit)**

NOTE: The parts marked with  have special characteristics of safety,  
if replace the  mark parts,use only SANYO specified parts.

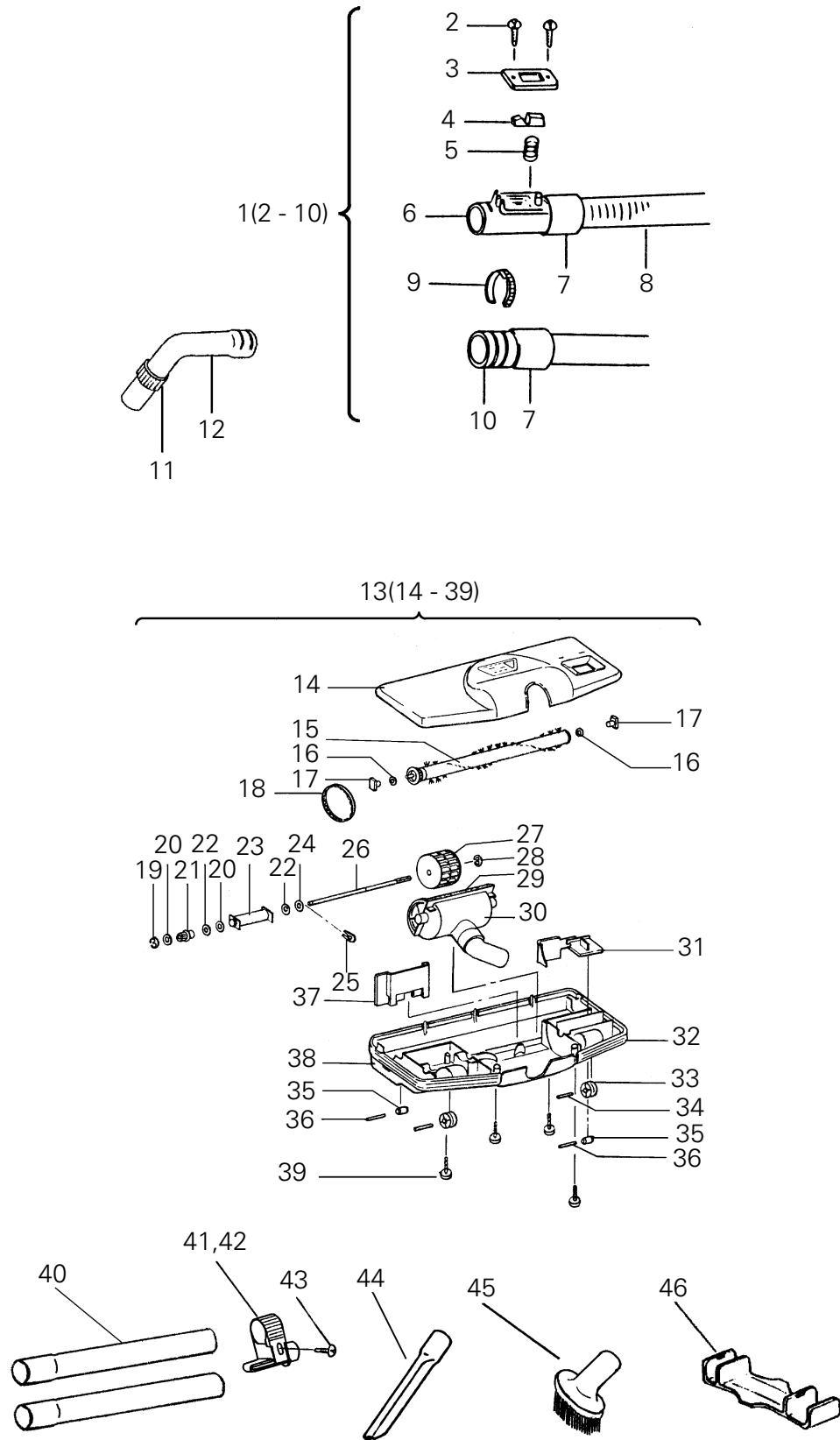
**SC-30L (U.S.A.)**

Key No.	Parts No.	Description	Q'ty	Key No.	Parts No.	Description	Q'ty
1	616 140 6781	DUST BOX (B-473)	1				
2	616 131 1856	DUST BOX INSCRIPTION (NN-B)	1				
3	616 000 1314	CASTER (NN-B)	1				
4	616 140 6798	CRAMP HOOK (B-474)	1				
5	616 004 5219	AIR INLET PACKING (NN-B)	1				
6	616 004 5486	AIR INLET FITTING	1				
7	411 006 8103	SCR TPG PAN 4X16	2				
8	616 103 8982	PRE FILTER	1				
9	616 124 7100	DUST FILTER ASSEMBLY	1				
10	616 125 0957	DUST FILTER PACKING (NN-05)	1				
11	616 115 3081	DUSTER ARM (NN-B)	1				
	12 616 129 2391	SWITCH	1				
13	616 140 6651	SWITCH ORNAMENT (B-474)	1				
14	616 115 3043	HANDLE (NN-B)	1				
15	616 140 6668	CASE ORNAMENT (B-474)	1				
16	616 011 9422	CAUTION LABEL	1				
17	616 140 6521	SWITCH HOLDER	1				
18	616 129 2520	VINYL TUBE (L=20)	1				
	19 616 129 2537	CORD ASSEMBLY (BLACK) L=280	1				
20	616 140 6743	BRAKE ROLLER ASSEMBLY A KEYNO.21-24	1				
21	616 008 7554	BRAKE ARM BRACKET (BR-20)	1				
22	616 008 7455	BRAKE SPRING	1				
23	616 140 6750	BRAKE ARM (B-474)	1				
24	616 002 1398	BRAKE ROLLER ASSEMBLY B	1				
25	411 006 8301	SCR TPG PAN 4X20	6				
26	616 140 6767	CASE UPPPER (B-474)	1				
27	616 103 8739	POLYURETHANE FORM A	1				
28	616 103 0375	MOTOR CUSHION FRONT (NN-B)	1				
	29 616 125 0933	MOTOR COMP. (AC 120V)	1				
	616 111 3276	CARBON BRUSH ASSEMBLY	2				
	30 616 129 2544	CORD ASSEMBLY (BLACK) L=350	1				
31	616 010 5173	SCREW	1				
32	616 103 3840	LEAD WIRE (YELLOW) L=300	1				
33	616 100 7094	MOTOR CUSHION REAR	1				
34	411 007 0809	SCR TPG TRS 4X16	1				
	35 616 002 0834	REEL SUPPORTER ASSEMBLY	1				
	36 616 125 0964	CORD REEL COMP. INCL/P.CORD	1				
	37 616 125 0971	POWER CORD (U2)	1				
38	616 140 6682	CASE LOWER (B-474)	1				
39	616 103 8821	INDICATOR FILTER	1				
40	616 109 6234	OUTLET FILTER	1				
41	616 103 8845	WHEEL REAR (NN-B)	2				
42	616 140 6705	CORD INLET COVER (B-474)	1				
43	411 067 5202	SCR TPG PAN 3X20	1				
44	616 140 6774	NAME PLATE	1				

COLOR CODE:B-474(BLUE),BR-20(BROWN),NN-05(GRAY),NN-B(BLACK)

**Exploded View  
(Attachment)**

**SC-30L (U.S.A.)**



**Parts List  
(Attachment)**

**SC-30L (U.S.A.)**

Key No.	Parts No.	Description	Q'ty	Key No.	Parts No.	Description	Q'ty
1	616 127 6827	SUCTION HOSE COMP. KEYNO.2-10	1				
2	411 067 8708	SCR TPG PAN 3X8M	2				
3	616 115 3104	HOSE HOOK COVER (NN-B)	1				
4	616 018 1184	HOSE HOOK (NN-B)	1				
5	616 018 1283	HOSE HOOK SPRING	1				
6	616 115 3111	HOSE JOINT PIPE A (NN-B)	1				
7	616 103 9040	SUCTION HOSE COVER (NN-B)	2				
8	616 123 4353	SUCTION HOSE (NN-B)	1				
9	616 115 3128	ROTARY BEND SET RING (NN-B)	1				
10	616 115 3135	HOSE GRIP PIPE (NN-B)	1				
11	616 107 1668	AIR SLIDE RING (NN-B)	1				
12	616 127 8920	ROTARY BEND (NN-B)	1				
13	616 140 6804	TURBINE BRUSH COMP. KEYNO.14-39	1				
14	616 140 6811	TURBINE BRUSH CASE(NN-B)	1				
15	616 015 5956	AGITATOR ASSEMBLY	1				
16	616 010 4404	WASHER 4.2X10X0.5	2				
17	616 016 1841	BRUSH BASE BEARING	2				
18	616 016 5627	TIMING BELT	1				
19	411 001 0201	RING E 5	1				
20	411 091 3700	WASHER Y 6.2X12X0.5	2				
21	616 016 5542	TURBINE FAN PULLEY	1				
22	616 010 4350	WASHER 6.2X12X0.5	2				
23	616 015 7967	RESIN SLEEVE ASSEMBLY LARGE	1				
24	411 009 5505	WASHER Z 6.2X12X0.5	1				
25	411 001 1307	RING U 5	1				
26	616 016 5474	TURBINE FAN SHAFT	1				
27	616 015 6359	FAN ASSEMBLY	1				
28	411 001 0003	RING E 4	1				
29	616 016 0066	POLYURETHANE FOAM	2				
30	616 140 6828	ROTARY PIPE ASSEMBLY	1				
31	616 016 1278	LEVER (NN-B)	1				
32	616 016 4934	TURBINE BRUSH BUMPER	1				
33	616 091 8773	WHEEL FRONT (NN-B)	2				
34	616 008 7486	BRAKE SHAFT	2				
35	616 140 0420	FLOOR TOOL ROLLER ASSEMBLY	2				
36	616 016 0141	ROLLER SHAFT	2				
37	616 140 6835	TURBINE INTAKE (NN-B)	1				
38	616 140 6842	TURBINE BRUSH BASE(NN-B)	1				
39	411 006 8202	SCR TPG PAN 4X20	4				
40	616 132 9134	CONNECTION PIPE (STAINLESS)	2				
41	616 107 8612	PIPE RETAINER (NN-B)	1				
42	616 140 6859	TAPE	1				
43	411 006 8301	SCR TPG PAN 4X20	1				
44	616 115 8147	CREVICE TOOL (NN-B)	1				
45	616 017 3592	UPHOLSTERY BRUSH ASSEMBLY (NN-B)	1				
46	616 140 6866	TOOL STORAGE(B-474)	1				

COLOR CODE:B-474(BLUE),NN-B(BLACK)

For Parts or Service Contact  
**SANYO FISHER SERVICE CORPORATION.**  
 1411 West 190th Street Suite 700  
 South Bay Corporate Center Gardena, CA 90248

## Free Manuals Download Website

<http://myh66.com>

<http://usermanuals.us>

<http://www.somanuals.com>

<http://www.4manuals.cc>

<http://www.manual-lib.com>

<http://www.404manual.com>

<http://www.luxmanual.com>

<http://aubethermostatmanual.com>

Golf course search by state

<http://golfingnear.com>

Email search by domain

<http://emailbydomain.com>

Auto manuals search

<http://auto.somanuals.com>

TV manuals search

<http://tv.somanuals.com>