

PARTS LIST

Vacuum Cleaner

SC-505T (U.S.A.)

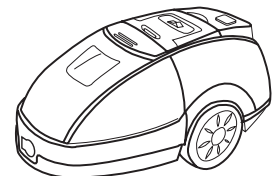
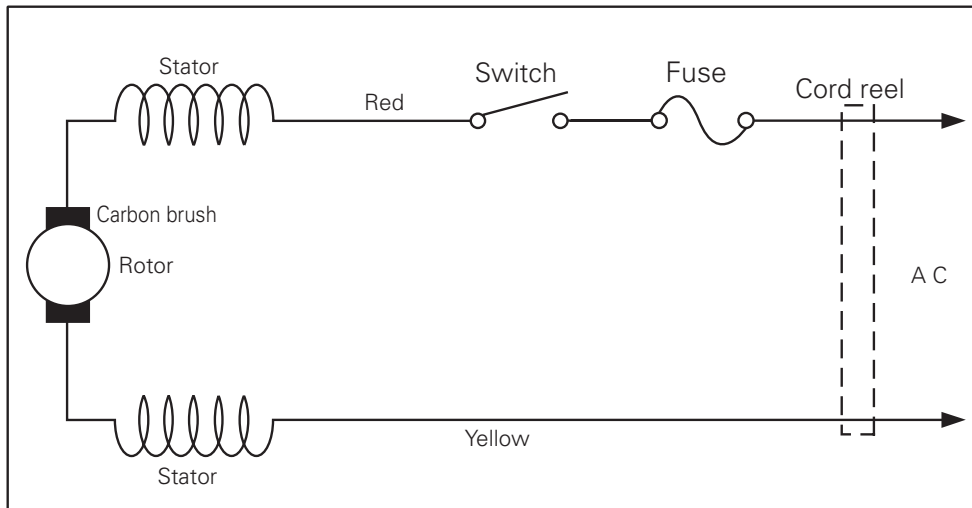
Specifications

Power source	: AC 120 V 60 Hz
Power consumption	: 10 A
Motor revolution	: 26,400 r.p.m.
Vacuum	: 18,400 Pa
Dimensions L X W X H	: 19 - 1/64" x 10 - 5/32" x 9 - 1/64" (483 x 258 x 229 mm)
Net weight	: 10 lbs. 13 ozs. (4.9 Kg)
Attachment	: Suction hose, Turbine brush, Extension pipe, Crevice tool, Upholstery brush



PRODUCT CODE NO.

1 - 326 695 05 (LM)

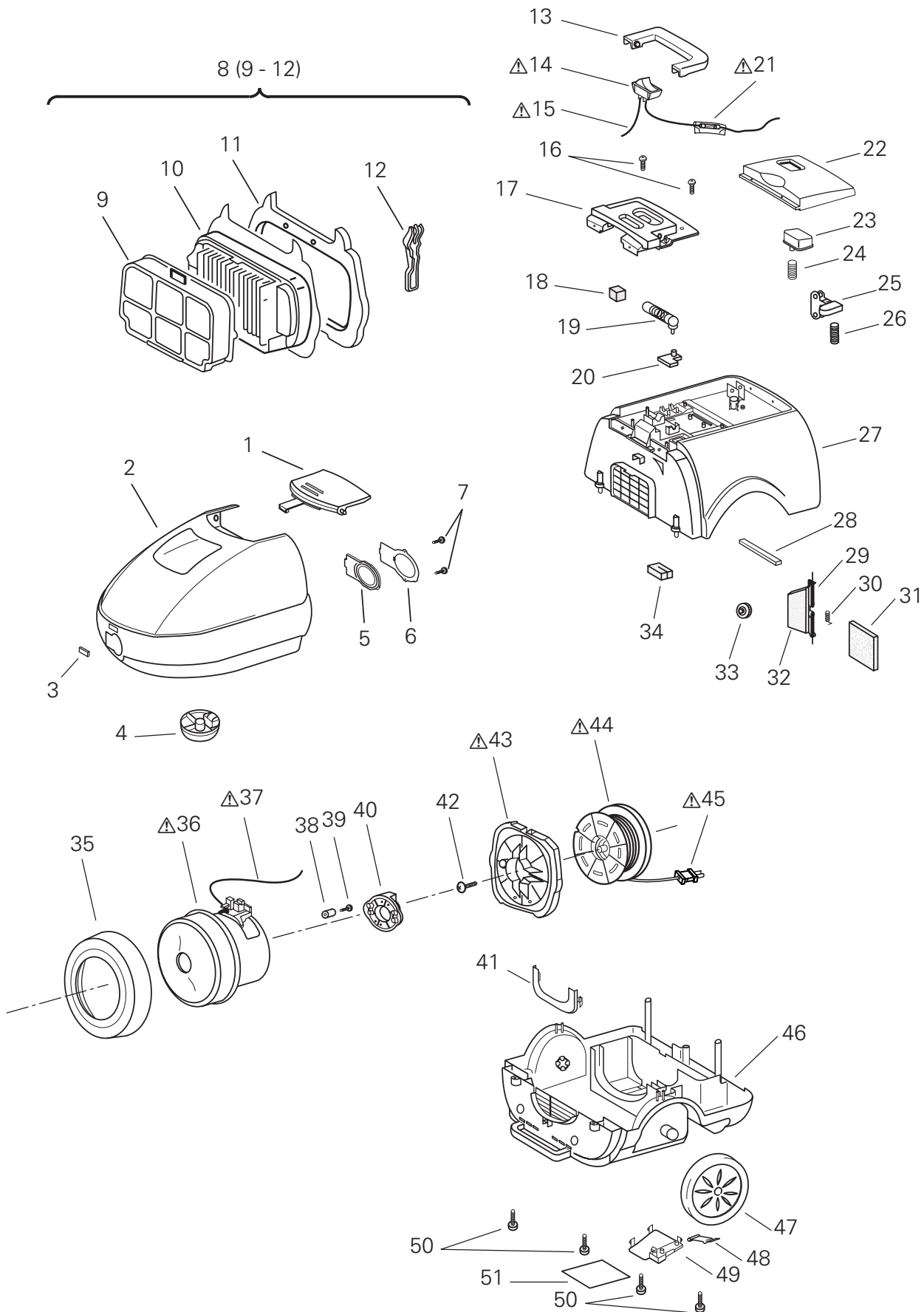
Wiring Diagram



**Exploded View
(Main unit)**

NOTE: The parts marked with  have special characteristics of safety, if replace the  mark parts, use only SANYO specified parts.

SC-505T (U.S.A.)



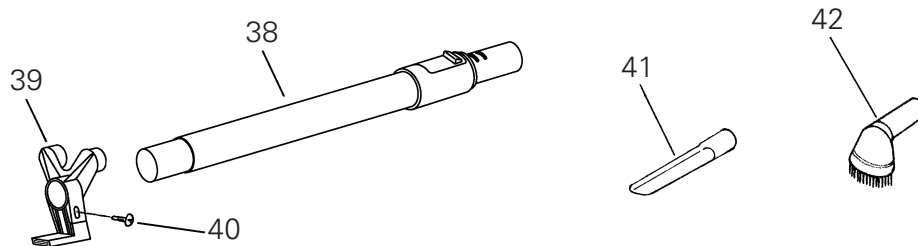
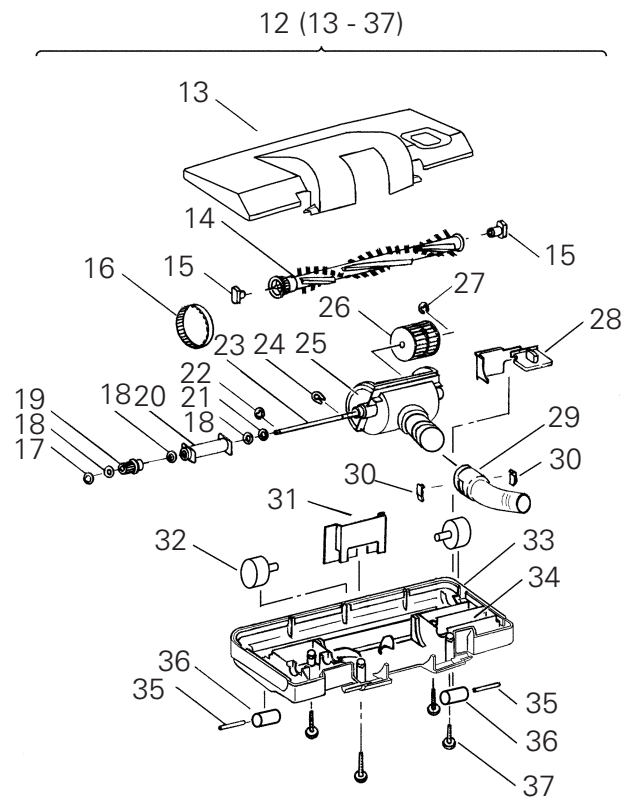
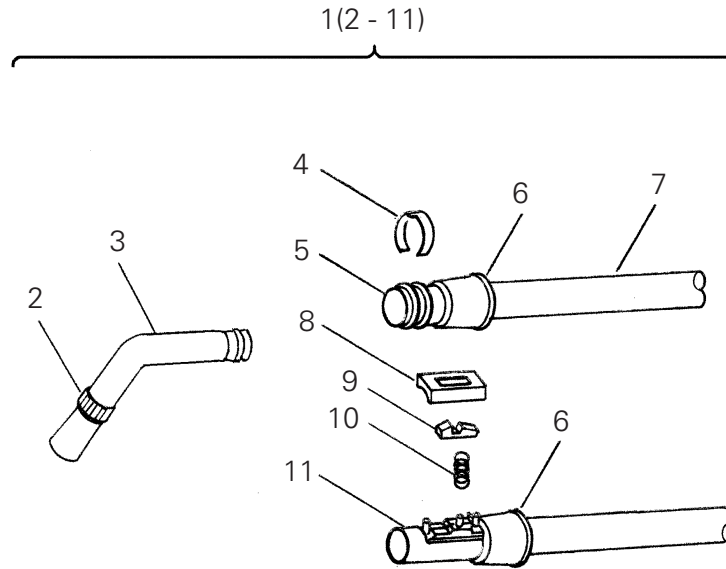
**Parts List
(Main unit)**

NOTE: The parts marked with \triangle have special characteristics of safety,
if replace the \triangle mark parts,use only SANYO specified parts.

SC-505T (U.S.A.)

Key No.	Parts No.	Description	Q'ty	Key No.	Parts No.	Description	Q'ty
1	663 000 0793	CRAMP HOOK (NN-B)	1	50	663 000 0243	SCREW (4X20)	4
2	663 000 0809	DUST BOX (B-521)	1	51	663 000 1257	NAME PLATE	1
3	663 000 0816	DUST BOX INSCRIPTION	1				
4	663 000 0823	CASTER (NN-B)	1				
5	663 000 0830	AIR INLET PACKING	1				
6	663 000 0069	AIR INLET FITTING	1				
7	663 000 0847	SCREW (4X16)	2				
8	663 000 0854	DUST FILTER COMP. KEYNO(9-12)	1				
9	663 000 0861	PRE FILTER	1				
10	663 000 0878	FILTER ASSEMBLY	1				
11	663 000 0885	DUST FILTER PACKING	1				
12	663 000 0892	DUSTER ARM	1				
13	663 000 0908	HANDLE (NN-B)	1				
\triangle 14	663 000 0915	SWITCH	1				
\triangle 15	663 000 0922	CORD ASSEMBLY (RED) L=560	1				
16	663 000 0939	SCREW (4X16)	2				
17	663 000 0946	INDICATOR ORNAMENT	1				
18	663 000 0953	INDICATOR FILTER	1				
19	663 000 0960	INDICATOR ASSEMBLY	1				
20	663 000 0977	TRANSMISSION TUBE	1				
\triangle 21	663 000 0984	FUSE ASSEMBLY (125V 15A)	1				
22	663 000 0991	CASE COVER (NN-B)	1				
23	663 000 1004	REEL BUTTON (NN-B)	1				
24	663 000 1011	HELICAL SPRING	1				
25	663 000 1028	BRAKE ARM (NATURAL)	1				
26	663 000 1035	BRAKE SPRING	1				
27	663 000 1042	CASE UPPER (B-476T)	1				
28	663 000 1059	PORYURETHANE FORM	1				
29	663 000 1066	AIR OUTLET (B-476T)	1				
30	663 000 1073	HELICAL SPRING	1				
31	663 000 1080	OUTLET FILTER	1				
32	663 000 1097	AIR SPREADER	1				
33	663 000 0236	BRAKE ROLLER ASSEMBLY B	1				
34	663 000 1103	POLYURETHANE FORM C	1				
35	663 000 1110	MOTOR CUSHION FRONT	1				
\triangle 36	663 000 1127	MOTOR COMP. (AC 120 V)	1				
\triangle	663 000 0298	CARBON BRUSH ASSEMBLY	2				
\triangle 37	663 000 1134	CORD ASSEMBLY (YELLOW) L=430	1				
38	663 000 1141	MOTOR CUSHION SLEEVE	1				
39	663 000 1158	SCREW	1				
40	663 000 1165	MOTOR CUSHION REAR	1				
41	663 000 1172	FILTER FIXTURE FRONT (NN-B)	1				
42	663 000 0335	SCREW (4X16)	1				
\triangle 43	663 000 1189	MOTOR SUPPORTER ASSEMBLY	1				
\triangle 44	663 000 1196	CORD REEL COMP. INCL/P.CORD	1				
\triangle 45	663 000 1202	POWER CORD (U2)	1				
46	663 000 1219	CASE LOWER (B-476T)	1				
47	663 000 1226	WHEEL REAR ASSEMBLY (B-476T)	2				
48	663 000 1233	CORD INLET COVER SMALL	1				
49	663 000 1240	CORD INLET COVER (B-476T)	1				

COLOR CODE:B-521/B-476T(BLUE),NN-B(BLACK)



**Parts List
(Attachment)**

SC-505T (U.S.A.)

Key No.	Parts No.	Description	Q'ty	Key No.	Parts No.	Description	Q'ty
1	663 000 1264	SUCTION HOSE COMP. KEYNO(2-11)	1				
2	663 000 1271	AIR SLIDE RING (NN-B)	1				
3	663 000 1288	ROTARY BEND (NN-B)	1				
4	663 000 0458	ROTARY BEND SET RING (NN-B)	1				
5	663 000 0489	HOSE GRIP PIPE (NN-B)	1				
6	663 000 0465	SUCTION HOSE COVER (NN-B)	2				
7	663 000 1295	SUCTION HOSE (NN-B)	1				
8	663 000 0496	HOSE HOOK COVER	1				
9	663 000 0502	HOSE HOOK	1				
10	663 000 0519	HOSE HOOK SPRING	1				
11	663 000 0526	HOSE JOINT PIPE A (NN-B)	1				
12	663 000 1301	TURBINE BRUSH COMP. KEYNO(13-37)	1				
13	663 000 1318	TURBINE BRUSH CASE (NN-B)	1				
14	663 000 1325	ROTARY BRUSH COMP.	1				
15	663 000 1332	BRUSH BASE BEARING	2				
16	663 000 1349	TIMING BELT	1				
17	663 000 1356	WASHER	1				
18	663 000 1363	WASHER	3				
19	663 000 1370	TURBINE FAN PULLEY	1				
20	663 000 1387	RESIN SLEEVE ASSEMBLY LARGE	1				
21	663 000 1394	WASHER	1				
22	663 000 1400	RING E 5	1				
23	663 000 1417	TURBINE FAN SHAFT	1				
24	663 000 1424	RING U 5	1				
25	663 000 1431	ROTARY PIPE ASSEMBLY	1				
26	663 000 1448	FAN ASSEMBLY	1				
27	663 000 1455	RING E 4	1				
28	663 000 1462	LEVER (NN-B)	1				
29	663 000 1479	BEND (NN-B)	1				
30	663 000 1486	BEND SET PIECE (NN-B)	2				
31	663 000 1493	TURBINE INTAKE (NN-B)	1				
32	663 000 1509	WHEEL REAR (NN-B)	2				
33	663 000 1516	TURBINE BRUSH BUMPER (NN-B)	1				
34	663 000 1523	TURBINE BRUSH BASE (NN-B)	1				
35	663 000 1530	ROLLER SHAFT	2				
36	663 000 1547	FLOOR TOOL ROLLER ASSEMBLY	2				
37	663 000 0243	SCREW (4X20)	4				
38	663 000 1554	EXTENSION PIPE COMP. (STEEL)	1				
39	663 000 1561	PIPE RETAINER	1				
40	663 000 0243	SCREW (4X20)	1				
41	663 000 0588	CREVICE TOOL	1				
42	663 000 0595	UPHOLSTERY BRUSH ASSEMBLY	1				
	663 000 1578	INSTRUCTION MANUAL	1				

COLOR CODE:NN-B(BLACK)

For Parts or Service Contact
SANYO FISHER SERVICE CORPORATION.
 21605 Plummer Street,
 Chatsworth, CA 91311

Free Manuals Download Website

<http://myh66.com>

<http://usermanuals.us>

<http://www.somanuals.com>

<http://www.4manuals.cc>

<http://www.manual-lib.com>

<http://www.404manual.com>

<http://www.luxmanual.com>

<http://aubethermostatmanual.com>

Golf course search by state

<http://golfingnear.com>

Email search by domain

<http://emailbydomain.com>

Auto manuals search

<http://auto.somanuals.com>

TV manuals search

<http://tv.somanuals.com>