

PARTS LIST

Vacuum Cleaner

SC-B1211 (U.S.A.)

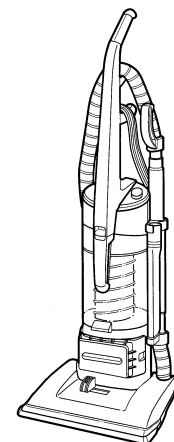
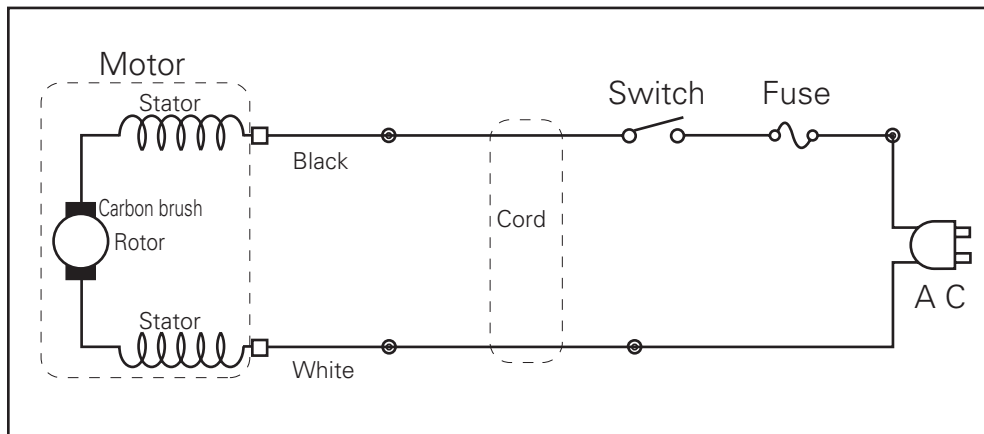
Specifications

Power source	: AC 120 V 60 Hz
Power consumption	: 12 A
Motor revolution	: 36,700 r.p.m.
Vacuum	: 23,000 Pa
Dimensions L X W X H	: 14 - 1/4" X 14 - 3/16" X 45" (362 X 360 X 1,143 mm)
Net weight	: 18 lbs. 5 ozs. (8.3 Kg)
Attachment	: Suction hose, Floor tool, Connection pipe, Crevice tool, Upholstery brush



PRODUCT CODE NO.

1 - 326 735 01 (L)

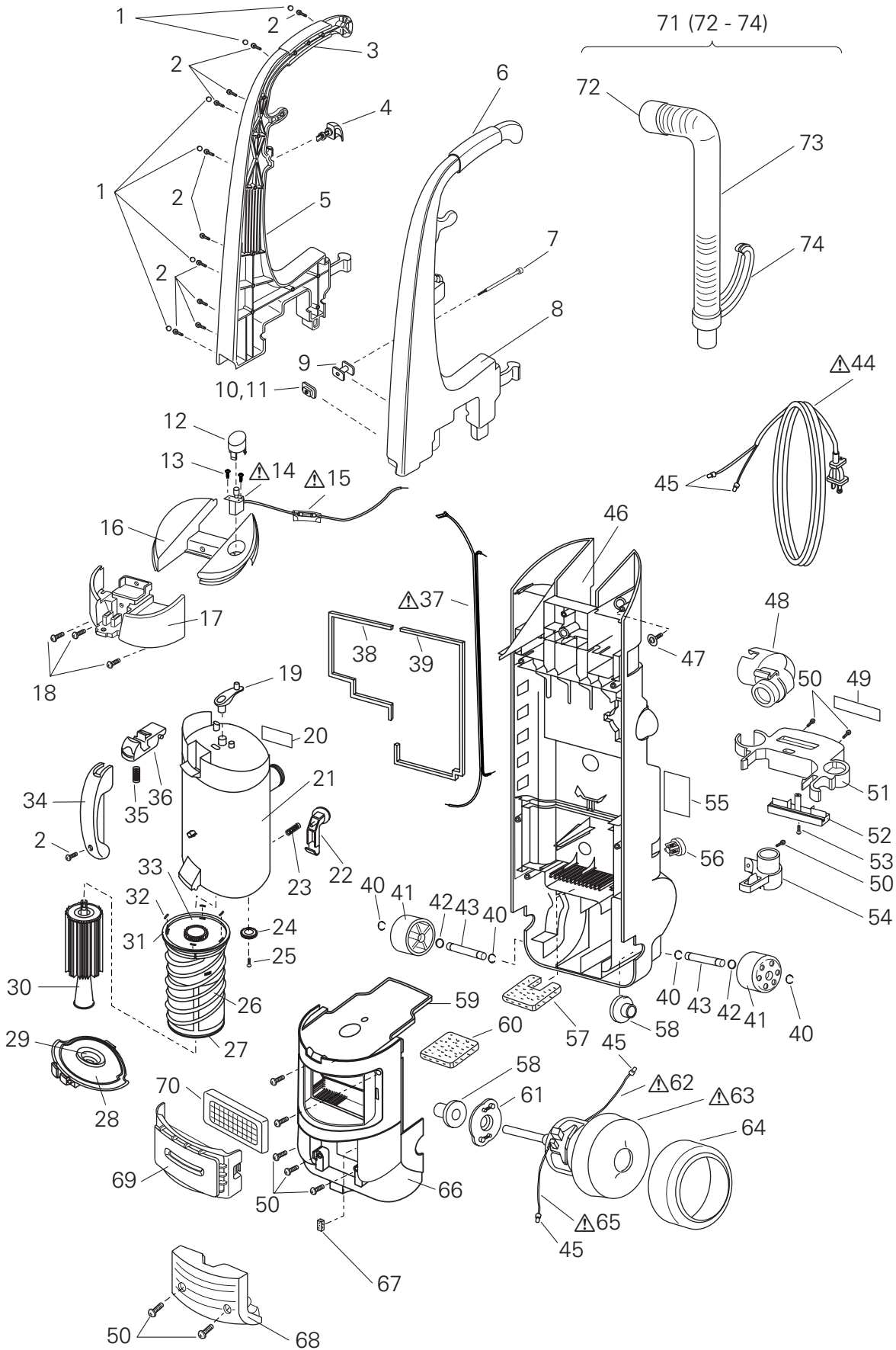
Wiring Diagram



Exploded View

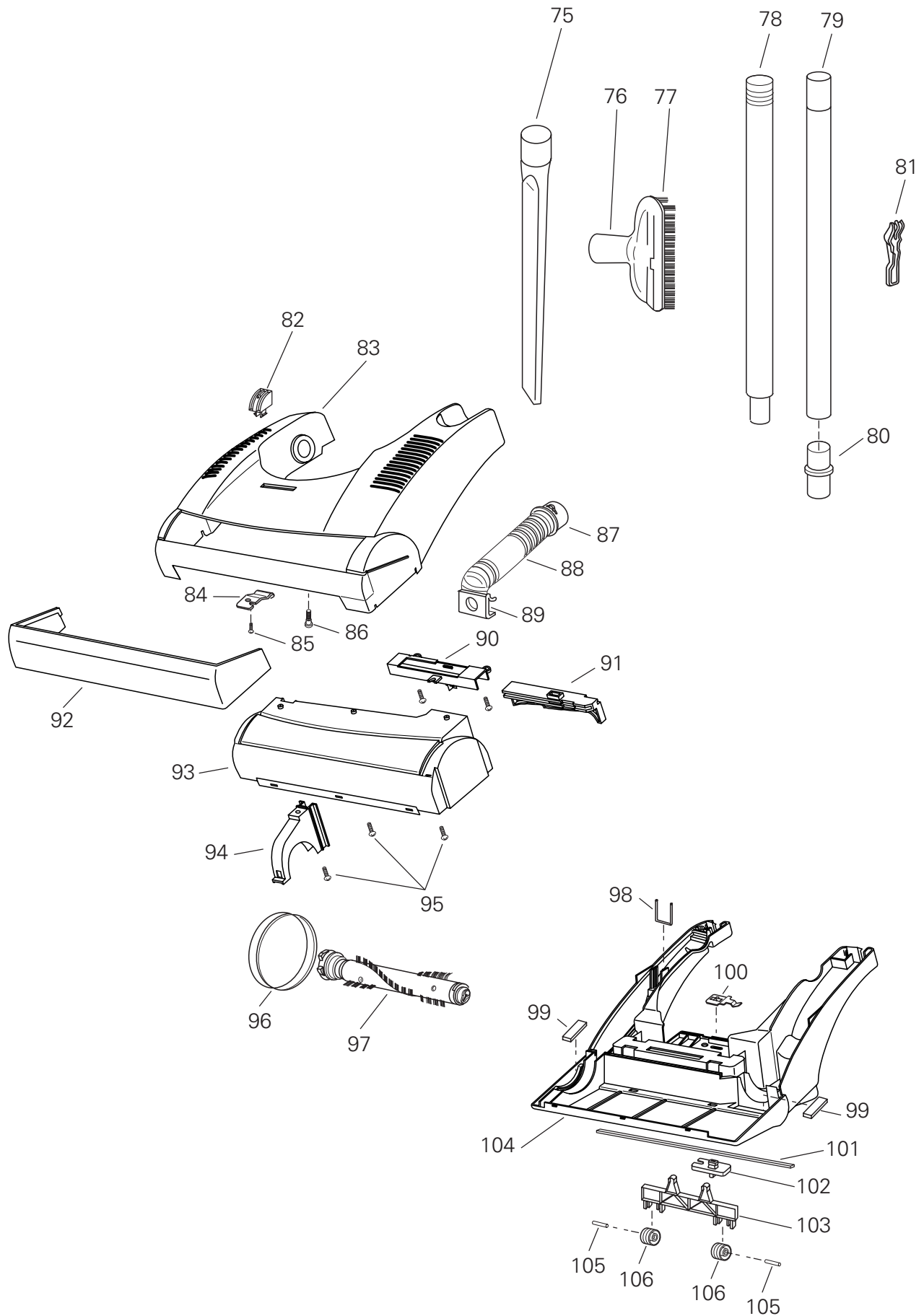
NOTE: The parts marked with  have special characteristics of safety, if replace the  mark parts, use only SANYO specified parts.

SC-B1211 (U.S.A.)



Exploded View

SC-B1211 (U.S.A.)



Parts List

NOTE: The parts marked with \triangle have special characteristics of safety,
if replace the \triangle mark parts, use only SANYO specified parts.

SC-B1211 (U.S.A.)

Key No.	Parts No.	Description	Q'ty	Key No.	Parts No.	Description	Q'ty
1	663 000 6528	INLAY PLUG (B-516)	6	55	663 000 4128	NAME PLATE	1
2	663 000 0939	SCREW (4X16)	11	56	663 000 6207	TRANSMISSION ASSEMBLY	1
3	663 000 5767	GRIP COVER RIGHT	1	57	663 000 6214	AIR INLET FILTER INNER	1
4	663 000 6535	CORD HOOK (B-516)	1	58	663 000 2186	SLEEVE (NN-B)	2
5	663 000 6542	GRIP RIGHT (B-516)	1	59	663 000 6221	DUST BOX PACKING	1
6	663 000 5798	GRIP COVER LEFT	1	60	663 000 6238	AIR INLET FILTER	1
7	663 000 5804	SCREW	1	61	663 000 4814	MOTOR CUSHION REAR	1
8	663 000 6559	GRIP LEFT (B-516)	1	\triangle 62	663 000 2438	CORD ASSEMBLY (WHITE) L=350	1
9	663 000 5828	GRIP SUPPLEMENT A	1	\triangle 63	663 000 3930	MOTOR COMP. (AC 120 V)	1
10	663 000 5835	GRIP SUPPLEMENT B	1	\triangle	663 000 0298	CARBON BRUSH ASSEMBLY	2
11	663 000 2285	NUT	1	64	663 000 4821	MOTOR CUSHION FRONT	1
12	663 000 5842	SWITCH BUTTON (N3-99T)	1	\triangle 65	663 000 2407	CORD ASSEMBLY (BLACK) L=350	1
13	663 000 2872	SCREW (3X10)	2	66	663 000 6597	CASE FRONT (B-516)	1
\triangle 14	663 000 2896	SWITCH	1	67	663 000 6603	POLYURETHANE FORM A	1
\triangle 15	663 000 5859	FUSE ASSEMBLY (125V 12A)	1	68	663 000 6610	LENS (B-516)	1
16	663 000 5866	CASE ORNAMENT (NC-01)	1	69	663 000 6283	AIR OUTLET (B-520)	1
17	663 000 6566	CASE COVER (B-516)	1	70	663 000 6290	OUTLET FILTER	1
18	663 000 5880	SCREW	3	71	663 000 6627	SUCTION HOSE COMP. KEYNO(72-74)	1
19	663 000 5897	DUSTER HANDLE A (N1-233)	1	72	663 000 6313	HOSE JOINT PIPE B (NN-B)	1
20	663 000 5903	CAUTION LABEL C	1	73	663 000 6320	SUCTION HOSE (NN-B)	1
21	663 000 5910	DUST BOX ASSEMBLY	1	74	663 000 6634	HOSE GRIP PIPE (NN-B)	1
22	663 000 5927	CRAMP HOOK (N1-233)	1	75	663 000 2476	CREVICE TOOL (NN-B)	1
23	663 000 5934	CRAMP SPRING B	1	76	663 000 2483	UPHOLSTERY BRUSH BASE	1
24	663 000 5941	GEAR B	1	77	663 000 5279	DUSTING BRUSH (NN-B)	1
25	663 000 2278	SCREW (4X17)	1	78	663 000 2490	CONNECTION PIPE A (NN-B)	1
26	663 000 5958	PRE FILTER ASSEMBLY A	1	79	663 000 2506	CONNECTION PIPE B (NN-B)	1
27	663 000 5965	PACKING B	1	80	663 000 6351	CONNECTION PIPE C (NN-B)	1
28	663 000 5972	DUST FILTER COMP. B	1	81	663 000 0892	DUSTER ARM	1
29	663 000 5989	PACKING A	1	82	663 000 6368	LEVER KNOB (N3-99T)	1
30	663 000 5996	DUST FILTER COMP. A	1	83	663 000 6641	CASE UPPER (B-516)	1
31	663 000 6009	PACKING C	1	84	663 000 2551	LEAF SPRING	1
32	663 000 6016	SPACER	4	85	663 000 2292	SCREW (4X14)	1
33	663 000 6023	GEAR A	1	86	663 000 2568	SCREW	1
34	663 000 6573	HANDLE (B-516)	1	87	663 000 6313	HOSE JOINT PIPE B (NN-B)	1
35	663 000 6047	CRAMP SPRING A	1	88	663 000 6382	SUCTION HOSE (NN-B)	1
36	663 000 6054	CRAMP LEVER (N3-99T)	1	89	663 000 6399	AIR INLET (NC-01)	1
\triangle 37	663 000 6061	CORD ASSEMBLY	1	90	663 000 6405	LEVER COVER	1
38	663 000 6078	AIR SPREADER D	1	91	663 000 6658	LEVER (B-516)	1
39	663 000 6085	AIR SPREADER C	1	92	663 000 6429	BUMPER	1
40	663 000 2131	RING E6	4	93	663 000 6436	CASE COVER FRONT (B-520)	1
41	663 000 6108	WHEEL REAR (NN-B)	2	94	663 000 6443	BELT COVER	1
42	663 000 2155	WASHER Z 7.2X12X0.5	2	95	663 000 0847	SCREW (4X16)	5
43	663 000 6115	SHAFT REAR	2	96	663 000 2582	BELT	2
\triangle 44	663 000 6580	POWER CORD (U2)	1	97	663 000 6450	ROTARY BRUSH COMP.	1
45	663 000 0700	WIRE CONNECTOR (CE-230)	4	98	663 000 2599	BELT COVER D	1
46	663 000 6122	CASE REAR (NC-01)	1	99	663 000 6467	AIR SPREADER A	2
47	663 000 2278	SCREW (4X17)	1	100	663 000 2612	LEAF SPRING D	1
48	663 000 6139	HOSE JOINT PIPE A (NN-B)	1	101	663 000 6474	SUCTION KEEPER (NN-B)	1
49	663 000 6146	LABEL	1	102	663 000 2650	LEVER	1
50	663 000 0243	SCREW (4X20)	10	103	663 000 6481	BOTTOM PLATE (NN-B)	1
51	663 000 6153	ATTACHMENT SUPPORTER A	1	104	663 000 6498	WHEEL HOLDER (NN-B)	1
52	663 000 6160	ATTACHMENT SUPPORTER B	1	105	663 000 6504	SHAFT FRONT	2
53	663 000 6177	SCREW (3X16)	1	106	663 000 2636	WHEEL FRONT	2
54	663 000 6184	EXTENSION PIPE RETAINER	1		663 000 6511	INSTRUCTION MANUAL	1

COLOR CODE: B-516/B-520(BLUE), N3-99T(SILVER), N1-233/NC01(GRAY), NN-B(BLACK)

For Parts or Service Contact
SANYO FISHER SERVICE CORPORATION.
21605 Plummer Street,
Chatsworth, CA 91311

Free Manuals Download Website

<http://myh66.com>

<http://usermanuals.us>

<http://www.somanuals.com>

<http://www.4manuals.cc>

<http://www.manual-lib.com>

<http://www.404manual.com>

<http://www.luxmanual.com>

<http://aubethermostatmanual.com>

Golf course search by state

<http://golfingnear.com>

Email search by domain

<http://emailbydomain.com>

Auto manuals search

<http://auto.somanuals.com>

TV manuals search

<http://tv.somanuals.com>