

PARTS LIST

Vacuum Cleaner

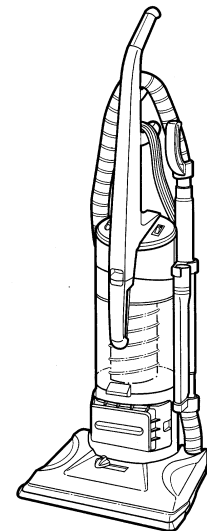
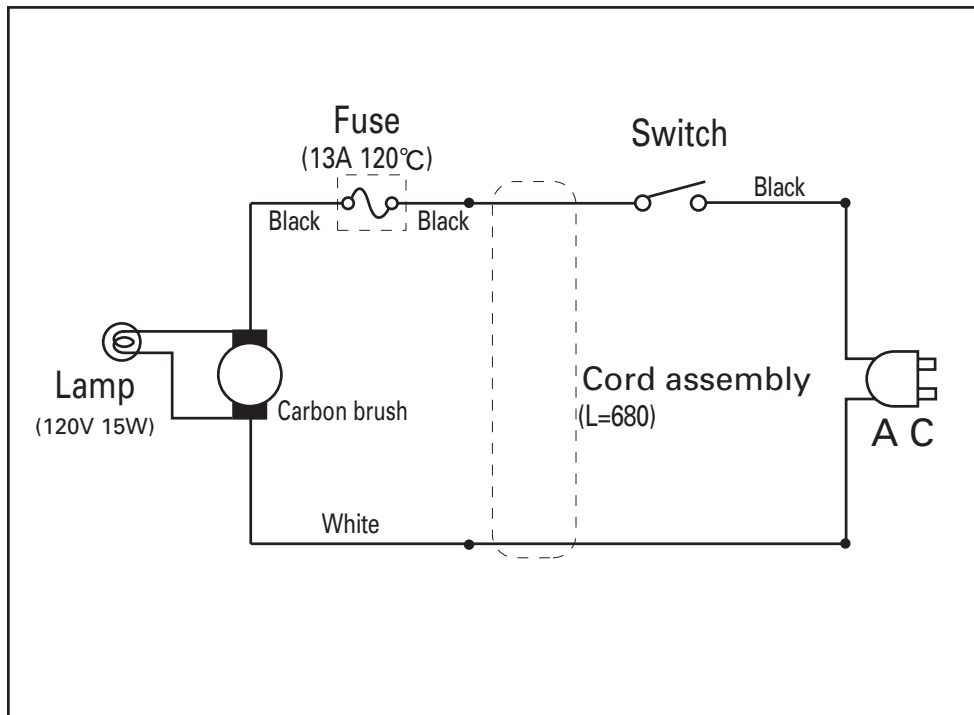
SC-B1220 (U.S.A.)

Specifications



Power source	: AC 120 V 60 Hz
Power consumption	: 12 A
Motor revolution	: 32,500 r.p.m.
Vacuum	: 2,000 mmAq
Dimensions	: 14 - 1/4" X 14 - 3/16" X 45"
L X W X H	(362 X 360 X 1,143 mm)
Net weight	: 18 lbs. 5 ozs. (8.3 Kg)
Attachment	: Suction hose, Floor tool, Connection pipe, Crevice tool, Upholstery brush

PRODUCT CODE NO.
1 - 326 663 02 (G)

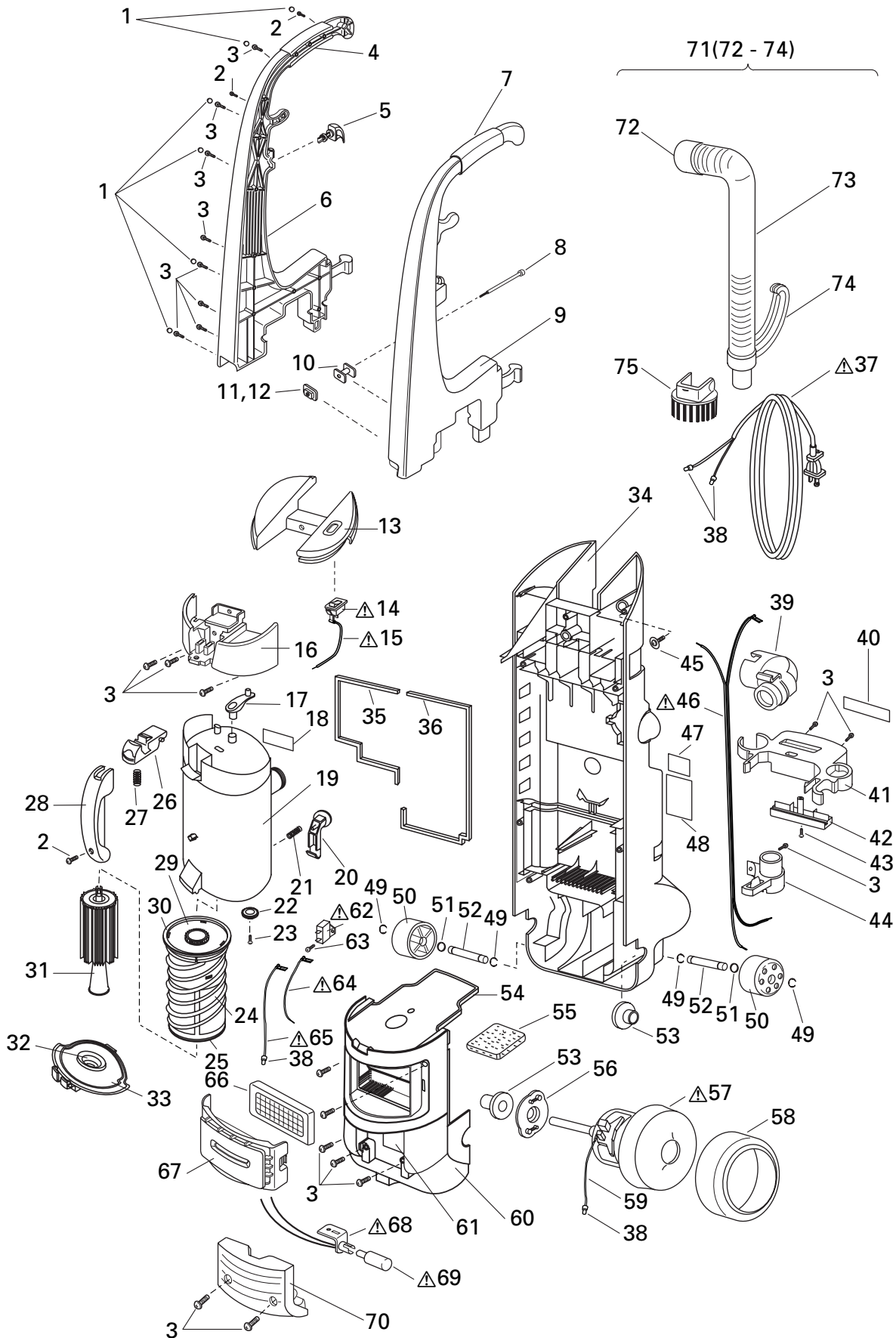
Wiring Diagram





Exploded View

NOTE: The parts marked with  have special characteristics of safety, if replace the  mark parts, use only SANYO specified parts.

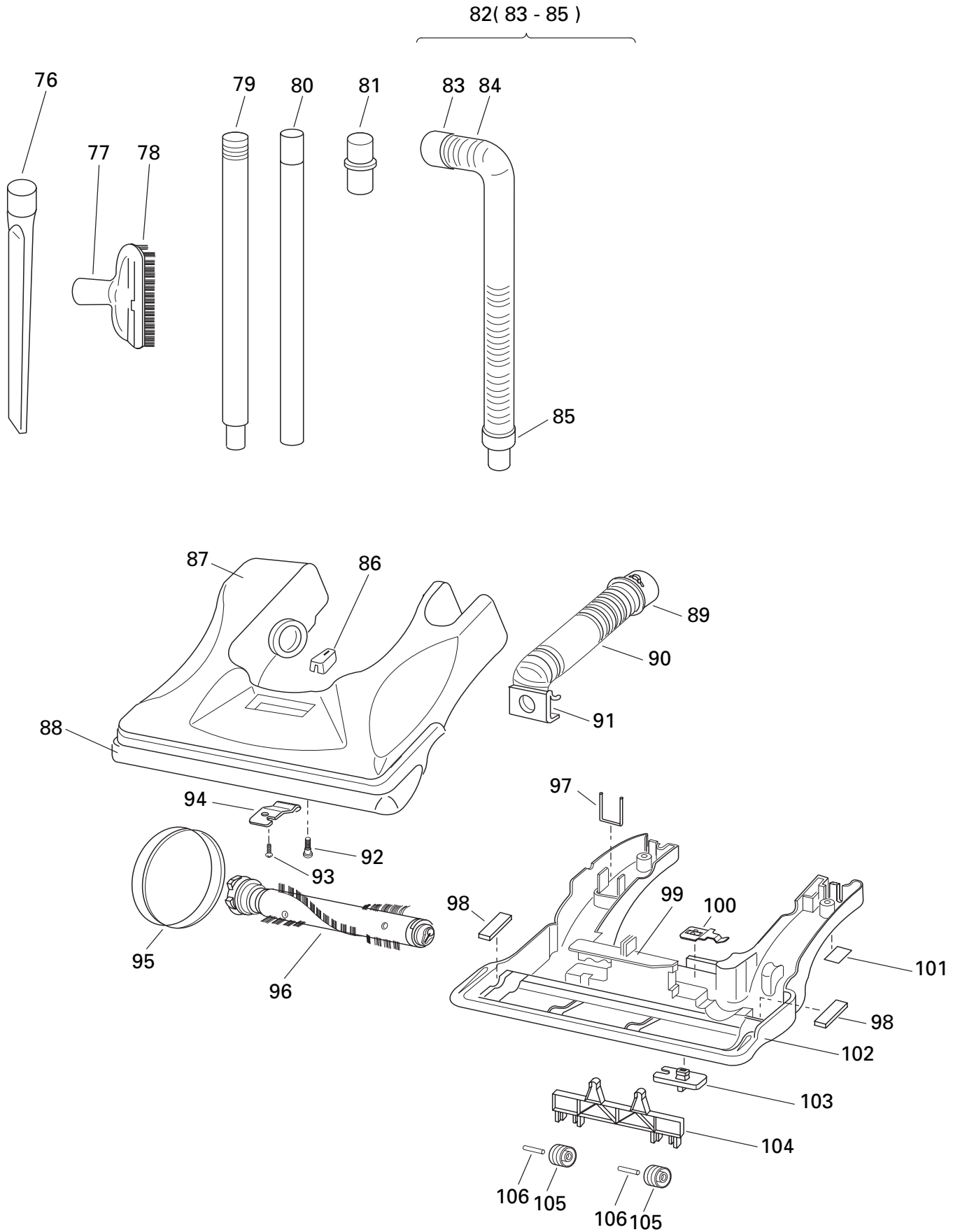
SC-B1220 (U.S.A.)



Exploded View

NOTE: The parts marked with  have special characteristics of safety, if replace the  mark parts, use only SANYO specified parts.

SC-B1220 (U.S.A.)



Parts List

NOTE: The parts marked with \triangle have special characteristics of safety,
if replace the \triangle mark parts, use only SANYO specified parts.

SC-B1220 (U.S.A.)

Key No.	Parts No.	Description	Q'ty	Key No.	Parts No.	Description	Q'ty
1	649 000 4832	INLAY PLUG (N5-46)	6	\triangle 58	649 000 0742	CARBON BRUSH ASSEMBLY	2
2	411 006 8103	SCR TPG PAN 4X16	3	59	649 000 0704	MOTOR CUSHION FRONT	1
3	411 006 8301	SCR TPG PAN 4X20	21	60	649 000 5266	LEAD WIRE (WHITE) L=350	1
4	649 000 4849	GRIP COVER RIGHT(N1-230)	1	61	649 000 5273	CASE FRONT (N5-46)	1
5	649 000 4856	CORD HOOK (N5-46)	1	62	649 000 5280	SHIELD SHEET	1
6	649 000 4863	GRIP RIGHT (N5-46)	1	\triangle 63	649 000 2708	FUSE ASSEMBLY (13A 120°C)	1
7	649 000 4870	GRIP COVER LEFT (N1-230)	1	64	411 006 7700	SCR TPG PAN 4X12	1
8	649 000 4887	SCREW	1	\triangle 65	649 000 1794	CORD ASSEMBLY (BLACK) L=200	1
9	649 000 4894	GRIP LEFT (N5-46)	1	\triangle 66	649 000 5297	CORD ASSEMBLY (BLACK) L=350	1
10	649 000 4900	GRIP SUPPLEMENT A (NN-B)	1	67	649 000 4603	OUTLET FILTER	1
11	649 000 4917	GRIP SUPPLEMENT B (NN-B)	1	68	649 000 5303	AIR OUTLET	1
12	411 004 6101	NUT HEX 6	1	\triangle 69	649 000 5310	LAMP HOLDER	1
13	649 000 5501	CASE ORNAMENT (G-328)	1	70	649 000 4580	LAMP (15W 120V)	1
\triangle 14	649 000 2647	SWITCH	1	71	649 000 5327	LENS (N1-217)	1
\triangle 15	649 000 4931	CORD ASSEMBLY (BLACK) L=120	1	72	649 000 5600	SUCTION HOSE COMP. KEYNO.72-74	1
16	649 000 4948	CASE COVER (N5-46)	1	73	649 000 5341	HOSE JOINT PIPE B (NN-B)	1
17	649 000 5518	DUSTER HANDLE A (G-484)	1	74	649 000 5617	SUCTION HOSE (NN-B)	1
18	649 000 4962	CAUTION LABEL C	1	75	649 000 5624	HOSE GRIP PIPE (NN-B)	1
19	649 000 5525	DUST BOX ASSEMBLY	1	76	649 000 5631	BRUSH BASE ASSEMBLY	1
20	649 000 4986	CRAMP HOOK (N1-233)	1	77	649 000 2142	CREVICE TOOL	1
21	649 000 4993	CRAMP SPRING B	1	78	649 000 2159	UPHOLSTERY TOOL (NN-B)	1
22	649 000 5006	GEAR B (N1-233)	1	79	649 000 2814	DUSTING BRUSH (NN-B)	1
23	649 000 2654	SCREW 4X16	1	80	649 000 5372	CONNECTION PIPE A	1
24	649 000 5532	PRE FILTER ASSEMBLY A	1	81	649 000 5389	CONNECTION PIPE B	1
25	649 000 5020	PACKING B (N1-233)	1	82	649 000 5396	CONNECTION PIPE C (NN-B)	1
26	649 000 5549	CRAMP LEVER (G-484)	1	83	649 000 5648	SUCTION HOSE COMP. KEYNO.83-85	1
27	649 000 5044	CRAMP SPRING A	1	84	649 000 5655	CONNECTION PIPE D (NN-B)	1
28	649 000 5051	HANDLE (N5-46)	1	85	649 000 5662	SUCTION HOSE (NN-B)	1
29	649 000 5068	GEAR A (N1-233)	1	86	649 000 5679	HOSE GRIP PIPE (NN-B)	1
30	649 000 5075	PACKING C (N1-233)	1	87	649 000 5686	LEVER KNOB (G-484)	1
31	649 000 5082	DUST FILTER COMP. A	1	88	649 000 5693	CASE UPPER	1
32	649 000 5099	PACKING A (N1-233)	1	89	649 000 5426	BUMPER (N1-230)	1
33	649 000 5105	DUST FILTER COMP. B	1	90	649 000 5341	HOSE JOINT PIPE B (NN-B)	1
34	649 000 5556	CASE REAR (G-328)	1	91	649 000 5433	SUCTION HOSE (NN-B)	1
35	649 000 5129	AIR SPREADER D	1	92	649 000 5709	AIR INLET (G-328)	1
36	649 000 5136	AIR SPREADER C	1	93	649 000 1305	SCREW	1
\triangle 37	649 000 4276	POWER CORD (U2)	1	94	411 007 0403	SCR TPG TRS 4X14	1
38	649 000 0179	WIRE CONNECTOR (CE-5)	4	95	649 000 2869	LEAF SPRING	1
39	649 000 5143	HOSE JOINT PIPE A (NN-B)	1	96	649 000 2876	FLAT BELT	1
40	649 000 5150	LABEL	1	97	649 000 4597	ROTARY BRUSH ASSEMBLY	1
41	649 000 5563	ATTACHMENT SUPPORTER A	1	98	649 000 2890	BELT COVER D	1
42	649 000 5570	ATTACHMENT SUPPORTER B	1	99	649 000 4474	AIR SPREADER B	2
43	411 006 6109	SCR TPG PAN 3X16	1	100	649 000 5716	LEVER (N5-46)	1
44	649 000 5587	EXTENSION PIPE RETAINER	1	101	649 000 1244	LEAF SPRING D	1
45	649 000 2654	SCREW 4X16	1	102	649 000 5464	CAUTION LABEL B	1
\triangle 46	649 000 5198	CORD ASSEMBLY (L=680)	1	103	649 000 5471	BOTTOM PLATE (NN-B)	1
47	649 000 5204	CAUTION LABEL A	1	104	649 000 2913	LATCH (NN-B)	1
48	649 000 5594	NAME PLATE	1	105	649 000 5488	WHEEL HOLDER (NN-B)	1
49	411 001 0409	RING E 6	4	106	649 000 2203	WHEEL FRONT (NN-B)	2
50	649 000 5228	WHEEL REAR (NN-B)	2		649 000 5495	SHAFT FRONT	2
51	411 009 8902	WASHER Z 7.2X12X0.5	2				
52	649 000 5235	SHAFT REAR	2				
53	649 000 2593	SLEEVE (NN-B)	2				
54	649 000 5242	DUST BOX PACKING (N1-233)	1				
55	649 000 5259	AIR INLET FILTER	1				
56	649 000 0773	MOTOR CUSHION REAR	1				
\triangle 57	649 000 0735	MOTOR COMP. (AC120V)	1				

COLOR CODE:G-328(GREEN),N1-217/N1-230/N1-233/N5-46(GRAY),NN-B(BLACK)

For Parts or Service Contact
SANYO FISHER SERVICE CORPORATION.
1411 West 190th Street Suite 700
South Bay Corporate Center Gardena, CA 90248

Free Manuals Download Website

<http://myh66.com>

<http://usermanuals.us>

<http://www.somanuals.com>

<http://www.4manuals.cc>

<http://www.manual-lib.com>

<http://www.404manual.com>

<http://www.luxmanual.com>

<http://aubethermostatmanual.com>

Golf course search by state

<http://golfingnear.com>

Email search by domain

<http://emailbydomain.com>

Auto manuals search

<http://auto.somanuals.com>

TV manuals search

<http://tv.somanuals.com>