

## PARTS LIST

## Vacuum Cleaner

## SC-B1230 (U.S.A.)

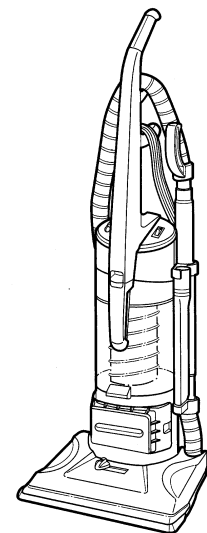
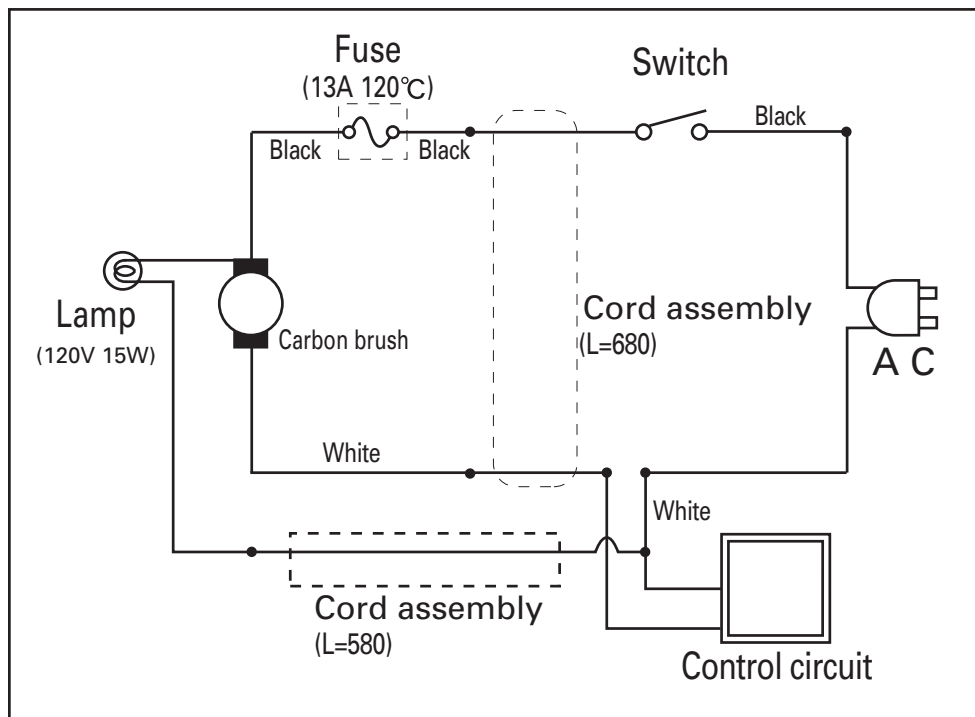
### Specifications

Power source	: AC 120 V 60 Hz
Power consumption	: 12 A
Motor revolution	: 27,000 r.p.m.
Vacuum	: 2,300 mmAq
Dimensions	: 14 - 1/4" X 14 - 3/16" X 45"
L X W X H	(362 X 360 X 1,143 mm)
Net weight	: 19 lbs. 6 ozs. ( 8.8 Kg )
Attachment	: 2 Suction hose, 2 Wands, Crevice tool, Upholstery brush, Dusting brush

PRODUCT CODE NO.

1 - 326 663 01 ( R )

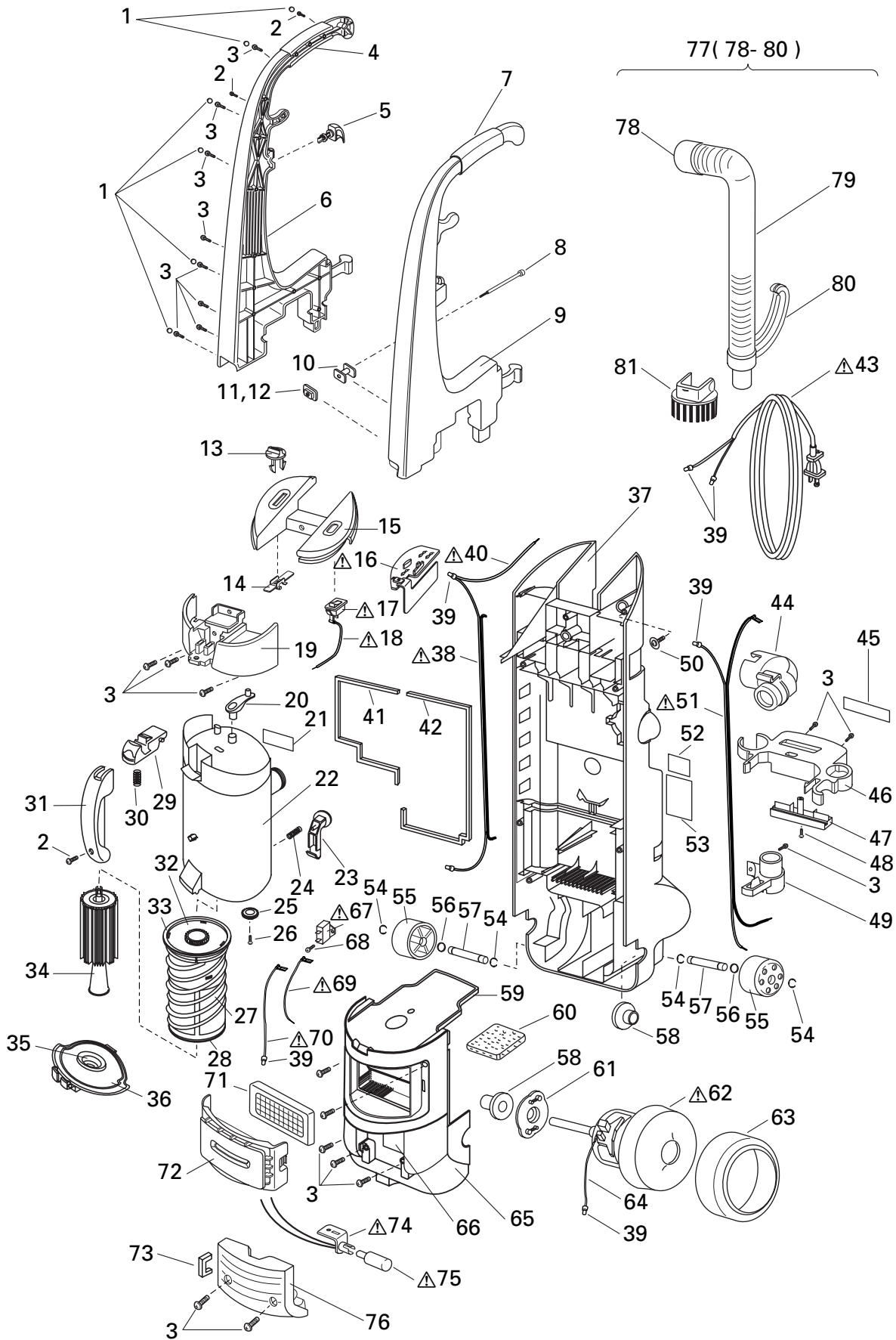
### Wiring Diagram





# Exploded View

NOTE: The parts marked with  $\triangle$  have special characteristics of safety, if replace the  $\triangle$  mark parts, use only SANYO specified parts.

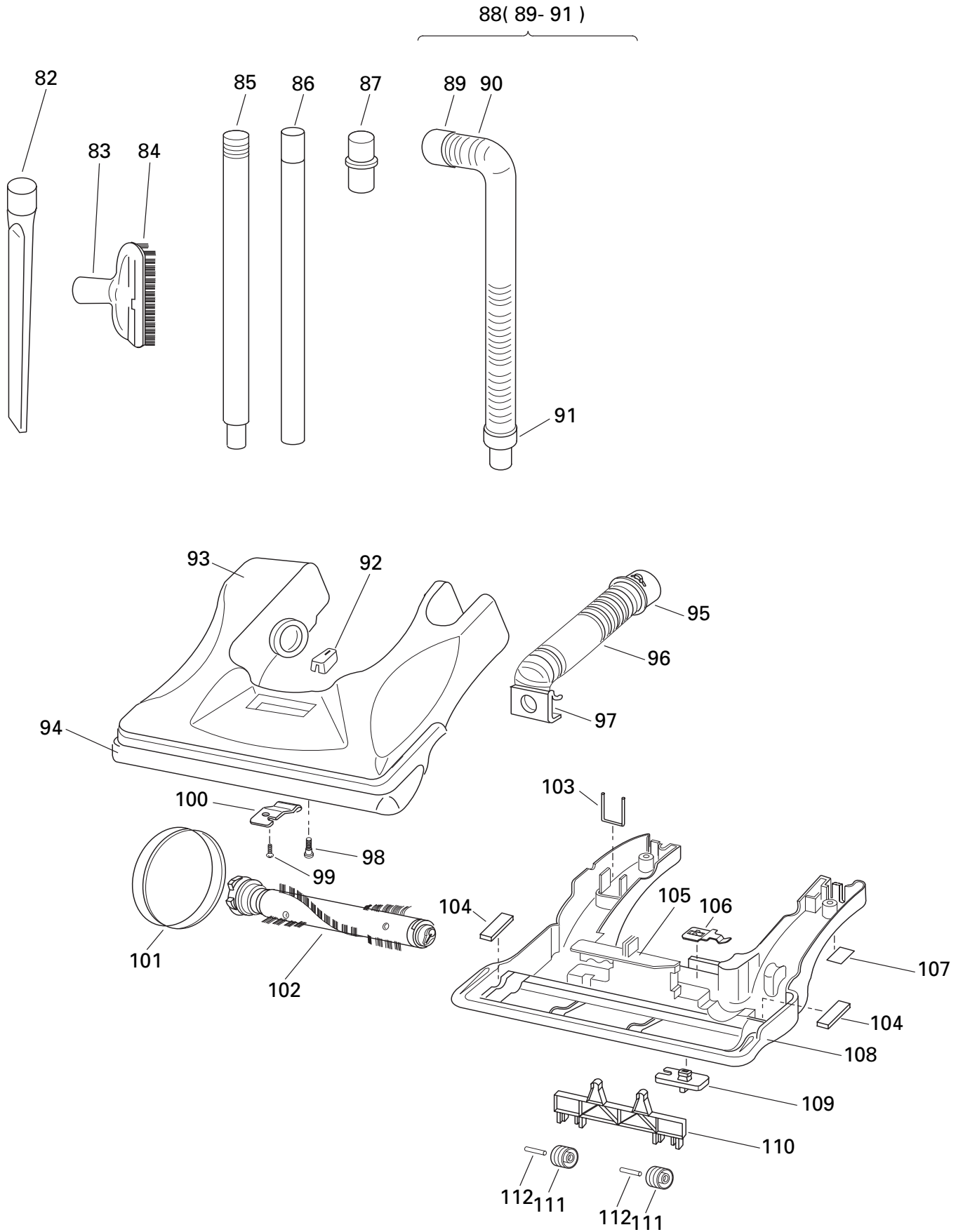
SC-B1230 (U.S.A.)



# Exploded View

NOTE: The parts marked with  have special characteristics of safety, if replace the  mark parts, use only SANYO specified parts.

SC-B1230 (U.S.A.)



# Parts List

NOTE: The parts marked with  $\triangle$  have special characteristics of safety,  
if replace the  $\triangle$  mark parts, use only SANYO specified parts.

**SC-B1230 (U.S.A.)**

Key No.	Parts No.	Description	Q'ty	Key No.	Parts No.	Description	Q'ty
1	649 000 4832	INLAY PLUG (N5-46)	6	58	649 000 2593	SLEEVE (NN-B)	2
2	411 006 8103	SCR TPG PAN 4X16	3	59	649 000 5242	DUST BOX PACKING (N1-233)	1
3	411 006 8301	SCR TPG PAN 4X20	21	60	649 000 5259	AIR INLET FILTER	1
4	649 000 4849	GRIP COVER RIGHT(N1-230)	1	61	649 000 0773	MOTOR CUSHION REAR	1
5	649 000 4856	CORD HOOK (N5-46)	1	$\triangle$ 62	649 000 5877	MOTOR COMP. (AC 120V)	1
6	649 000 4863	GRIP RIGHT (N5-46)	1	$\triangle$	649 000 0742	CARBON BRUSH ASSEMBLY	2
7	649 000 4870	GRIP COVER LEFT (N1-230)	1	63	649 000 0704	MOTOR CUSHION FRONT	1
8	649 000 4887	SCREW	1	64	649 000 5266	LEAD WIRE (WHITE) L=350	1
9	649 000 4894	GRIP LEFT (N5-46)	1	65	649 000 5884	CASE FRONT (N5-46)	1
10	649 000 4900	GRIP SUPPLEMENT A (NN-B)	1	66	649 000 5280	SHIELD SHEET	1
11	649 000 4917	GRIP SUPPLEMENT B (NN-B)	1	$\triangle$ 67	649 000 2708	FUSE ASSEMBLY (13A 120°C)	1
12	411 004 6101	NUT HEX 6	1	68	411 006 7700	SCR TPG PAN 4X12	1
13	649 000 5723	SWITCH KNOB A (NN-B)	1	$\triangle$ 69	649 000 1794	CORD ASSEMBLY (BLACK) L=200	1
14	649 000 5730	SWITCH KNOB B (NN-B)	1	$\triangle$ 70	649 000 5297	CORD ASSEMBLY (BLACK) L=350	1
15	649 000 5747	CASE ORNAMENT (R-206)	1	71	649 000 4603	OUTLET FILTER	1
$\triangle$ 16	649 000 5754	CONTROL CIRCUIT ASSEMBLY	1	72	649 000 5303	AIR OUTLET	1
$\triangle$ 17	649 000 2647	SWITCH	1	73	649 000 5891	AIR SPREADER A	1
$\triangle$ 18	649 000 4931	CORD ASSEMBLY (BLACK) L=120	1	$\triangle$ 74	649 000 5310	LAMP HOLDER	1
19	649 000 4948	CASE COVER(N5-46)	1	$\triangle$ 75	649 000 4580	LAMP (15W 120V)	1
20	649 000 5761	DUSTER HANDLE A (R-262)	1	76	649 000 5327	LENS (N1-217)	1
21	649 000 4962	CAUTION LABEL C	1	77	649 000 5600	SUCTION HOSE COMP. KEYNO.78-80	1
22	649 000 5778	DUST BOX ASSEMBLY	1	78	649 000 5341	HOSE JOINT PIPE B (NN-B)	1
23	649 000 4986	CRAMP HOOK (N1-233)	1	79	649 000 5617	SUCTION HOSE (NN-B)	1
24	649 000 4993	CRAMP SPRING B	1	80	649 000 5624	HOSE GRIP PIPE (NN-B)	1
25	649 000 5006	GEAR B (N1-233)	1	81	649 000 5631	BRUSH BASE ASSEMBLY	1
26	649 000 2654	SCREW 4X16	1	82	649 000 2142	CREVICE TOOL	1
27	649 000 5785	PRE FILTER ASSEMBLY A	1	83	649 000 2159	UPHOLSTERY TOOL (NN-B)	1
28	649 000 5020	PACKING B (N1-233)	1	84	649 000 2814	DUSTING BRUSH (NN-B)	1
29	649 000 5792	CRAMP LEVER (R-262)	1	85	649 000 5372	CONNECTION PIPE A	1
30	649 000 5044	CRAMP SPRING A	1	86	649 000 5389	CONNECTION PIPE B	1
31	649 000 5051	HANDLE (N5-46)	1	87	649 000 5396	CONNECTION PIPE C (NN-B)	1
32	649 000 5068	GEAR A (N1-233)	1	88	649 000 5648	SUCTION HOSE COMP. KEYNO.89-91	1
33	649 000 5075	PACKING C (N1-233)	1	89	649 000 5655	CONNECTION PIPE D (NN-B)	1
34	649 000 5082	DUST FILTER COMP. A	1	90	649 000 5662	SUCTION HOSE (NN-B)	1
35	649 000 5099	PACKING A (N1-233)	1	91	649 000 5679	HOSE GRIP PIPE (NN-B)	1
36	649 000 5105	DUST FILTER COMP. B	1	92	649 000 5907	LEVER KNOB (R-262M)	1
37	649 000 5808	CASE REAR (R-206)	1	93	649 000 5693	CASE UPPER (N5-46)	1
$\triangle$ 38	649 000 5815	CORD ASSEMBLY (L=580)	1	94	649 000 5426	BUMPER (N1-230)	1
39	649 000 0179	WIRE CONNECTOR (CE-5)	7	95	649 000 5341	HOSE JOINT PIPE B (NN-B)	1
40	649 000 5822	LEAD WIRE (WHITE) L=200	1	96	649 000 5433	SUCTION HOSE (NN-B)	1
41	649 000 5129	AIR SPREADER D	1	97	649 000 5914	AIR INLET (R-206)	1
42	649 000 5136	AIR SPREADER C	1	98	649 000 1305	SCREW	1
$\triangle$ 43	649 000 4146	POWER CORD (U2)	1	99	411 007 0403	SCR TPG TRS 4X14	1
44	649 000 5143	HOSE JOINT PIPE A (NN-B)	1	100	649 000 2869	LEAF SPRING	1
45	649 000 5150	LABEL	1	101	649 000 2876	FLAT BELT	1
46	649 000 5839	ATTACHMENT SUPPORTER A	1	102	649 000 4597	ROTARY BRUSH ASSEMBLY	1
47	649 000 5846	ATTACHMENT SUPPORTER B	1	103	649 000 2890	BELT COVER D	1
48	411 006 6109	SCR TPG PAN 3X16	1	104	649 000 4474	AIR SPREADER B	2
49	649 000 5853	EXTENSION PIPE RETAINER	1	105	649 000 5716	LEVER (N5-46)	1
50	649 000 2654	SCREW 4X16	1	106	649 000 1244	LEAF SPRING D	1
$\triangle$ 51	649 000 5198	CORD ASSEMBLY (L=680)	1	107	649 000 5464	CAUTION LABEL B	1
52	649 000 5204	CAUTION LABEL A	1	108	649 000 5471	BOTTOM PLATE (NN-B)	1
53	649 000 5860	NAME PLATE	1	109	649 000 2913	LATCH (NN-B)	1
54	411 001 0409	RING E 6	4	110	649 000 5488	WHEEL HOLDER (NN-B)	1
55	649 000 5228	WHEEL REAR (NN-B)	2	111	649 000 2203	WHEEL FRONT (NN-B)	2
56	411 009 8902	WASHER Z 7.2X12X0.5	2	112	649 000 5495	SHAFT FRONT	2
57	649 000 5235	SHAFT REAR	2				

COLOR CODE:R-206/R-262(RED),N1-217/N1-230/N1-233/N5-46(GRAY),NN-B(BLACK)

For Parts or Service Contact  
SANYO FISHER SERVICE CORPORATION.  
1411 West 190th Street Suite 700  
South Bay Corporate Center Gardena, CA 90248

## Free Manuals Download Website

<http://myh66.com>

<http://usermanuals.us>

<http://www.somanuals.com>

<http://www.4manuals.cc>

<http://www.manual-lib.com>

<http://www.404manual.com>

<http://www.luxmanual.com>

<http://aubethermostatmanual.com>

Golf course search by state

<http://golfingnear.com>

Email search by domain

<http://emailbydomain.com>

Auto manuals search

<http://auto.somanuals.com>

TV manuals search

<http://tv.somanuals.com>