

PARTS LIST

Rechargeable Cordless Cleaner

SC-JS2B (U.S.A.)

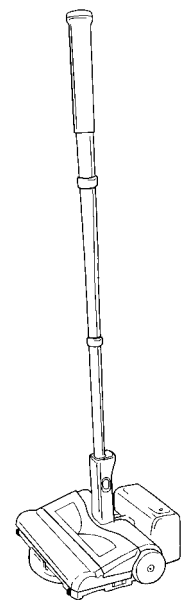
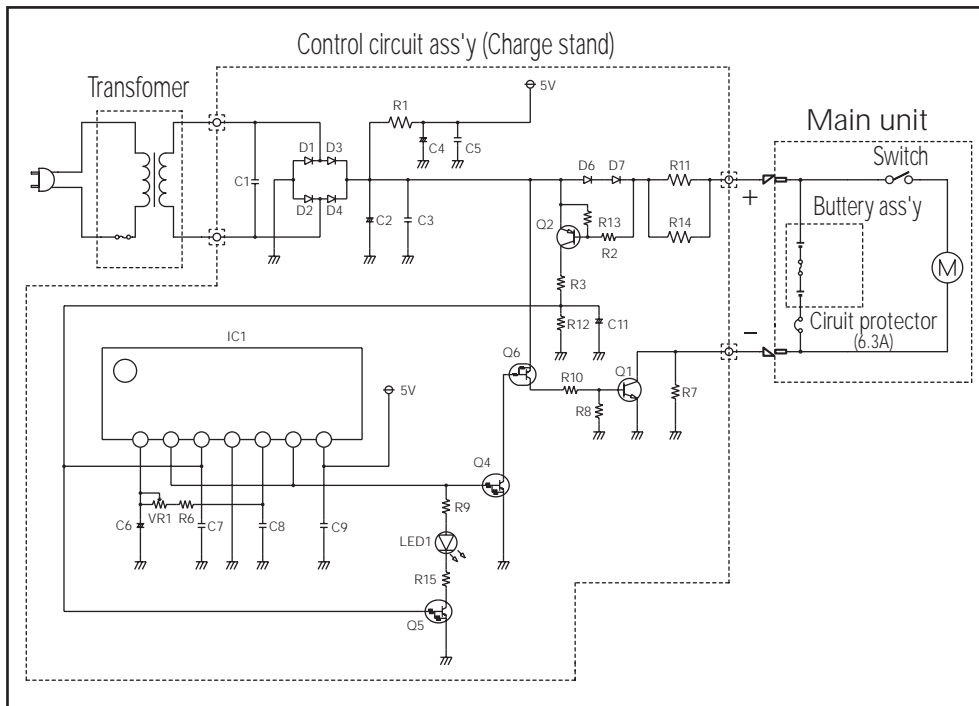
Specifications

Power source	: AC 220 V 50 Hz
Power consumption	: 4.2 W
Dimensions L X W X H	: 150 X 240 X 1,050 mm
Net weight	: 0.9 Kg
Attachment	: Grip pipe, Charge stand

PRODUCT CODE NO.

1 - 661 809 08 (L)

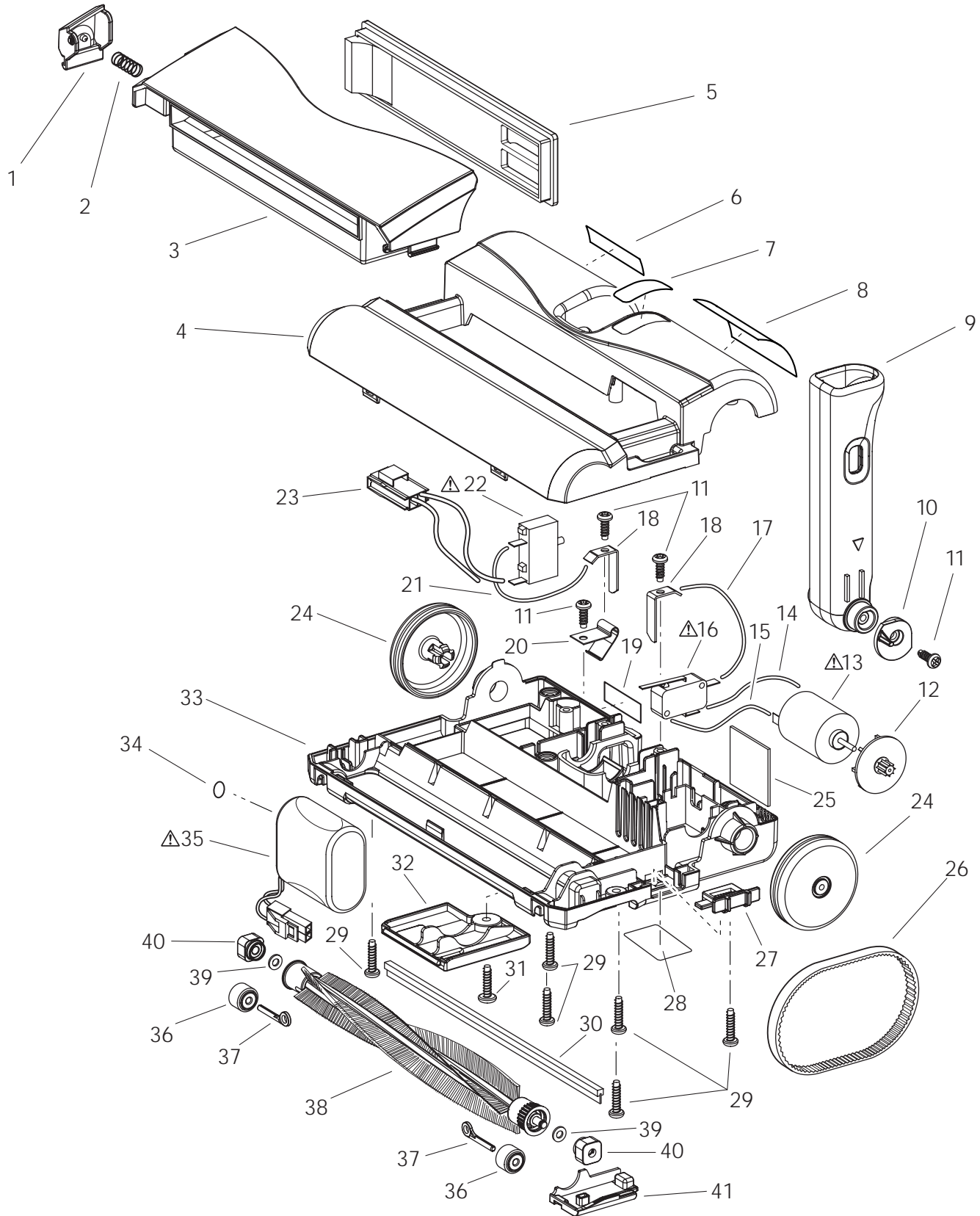
Wiring Diagram



Exploded View (Main unit)

NOTE: The parts marked with Δ have special characteristics of safety,
if replace the Δ mark parts, use only SANYO specified parts.

SC-JS2B (U.S.A.)



Parts List
(Main unit)

NOTE: The parts marked with \triangle have special characteristics of safety,
if replace the \triangle mark parts,use only SANYO specified parts.

SC-JS2B (U.S.A.)

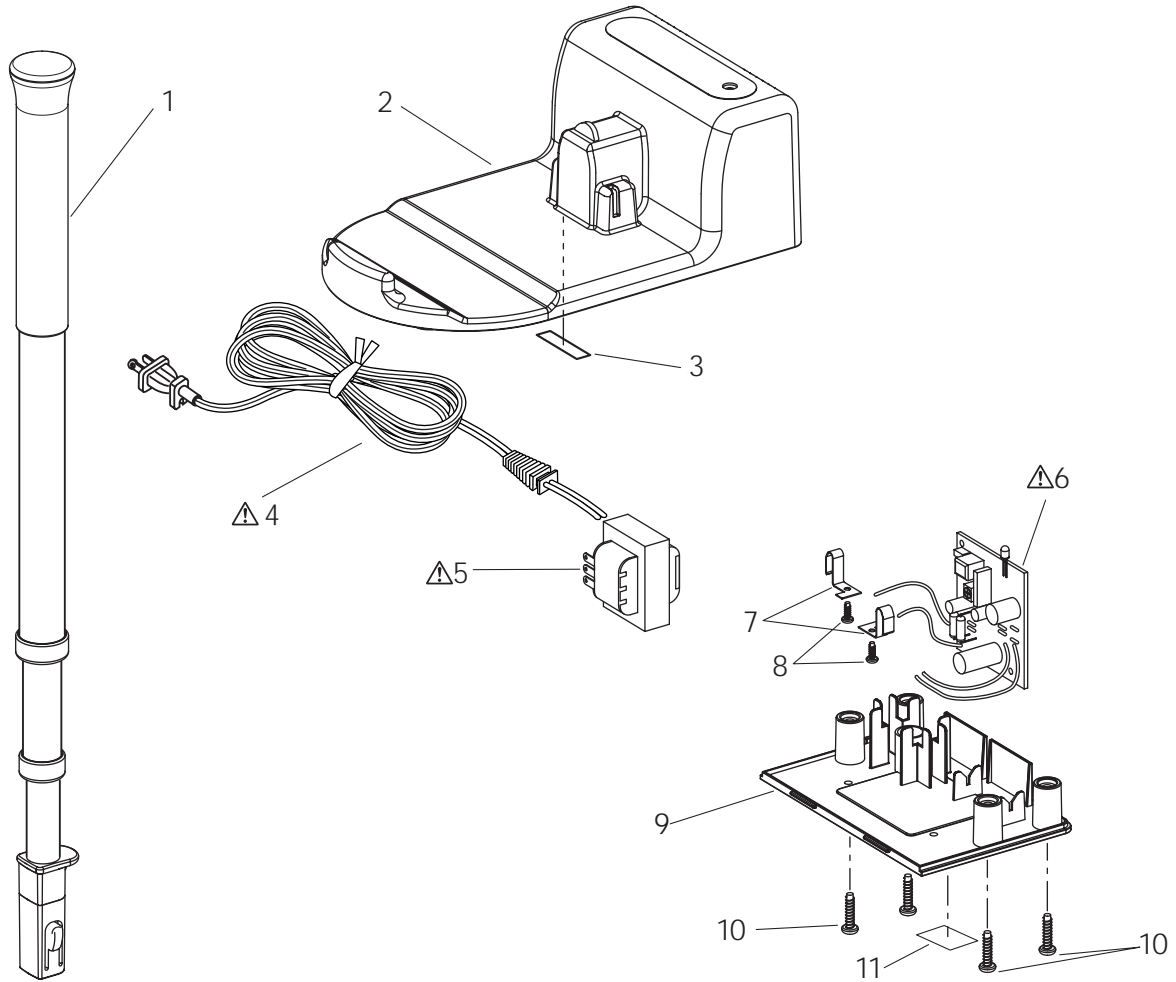
Key No.	Parts No.	Description	Q'ty	Key No.	Parts No.	Description	Q'ty
1	663 005 2761	CRAMP HOOK D	1				
2	663 005 2778	CRAMP SPRING	1				
3	663 005 2785	DUST BOX	1				
4	663 006 3897	CASE UPPER (B-475)	1				
5	663 005 2808	DUST FILTER ASSEMBLY	1				
6	663 005 3270	CAUTION LABEL	1				
7	663 005 3287	ORNAMENT PLATE	1				
8	663 005 3294	CAUTION LABEL	1				
9	663 005 2846	ROTARY PIPE (NN-07)	1				
10	663 005 2853	LEVER	1				
11	663 000 7754	SCREW (4X10)	4				
12	663 005 2877	PULLEY	1				
\triangle 13	663 005 2884	DC MOTOR	1				
14	663 005 2891	LEAD WIRE (RED) L=110	1				
15	663 005 2907	LEAD WIRE (BLACK) L=150	1				
\triangle 16	663 005 2914	MICRO SWITCH	1				
17	663 005 2921	LEAD WIRE (RED) L=120	1				
18	663 005 2938	CONTACT A	2				
19	663 005 2945	LABEL A	1				
20	663 005 2952	LEAF SPRING	1				
21	663 005 2969	LEAD WIRE (BLACK) L=120	1				
\triangle 22	663 005 2976	CIRUIT PROTECTOR (6.3A)	1				
23	663 005 2983	CONNECTOR HOUSING ASSEMBLY	1				
24	663 005 2990	WHEEL REAR (NN-07)	2				
25	663 005 3003	AIR INLET FILTER	1				
26	663 005 3010	TIMING BELT	1				
27	663 005 3027	CRAMP HOOK R (N1-230)	1				
28	663 006 3903	NAME PLATE	1				
29	663 005 3249	SCREW (4X16)	6				
30	663 005 3058	SUCTION KEEPER (NN-B)	1				
31	663 005 3065	SCREW (4X16)	1				
32	663 005 3072	BUTTERY COVER (NN-07)	1				
33	663 005 3089	CASE LOWER (NN-07)	1				
34	663 006 3910	CAUTION LABEL (RECYCLE)	1				
\triangle 35	663 005 3317	BUTTERY ASSEMBLY	1				
36	663 005 3102	WHELL SMALL ASSEMBLY (NN-B)	2				
37	663 005 3119	SHAFT FRONT (NN-B)	2				
38	663 005 3126	ROTARY BRUSH COMP. INCL/39,40	1				
39	663 005 8602	WASHERY 4.2X7X0.5	2				
40	663 005 3133	BEARING HOLDER ASSEMBLY	2				
41	663 005 3140	BRUSH RETAINER (NN-07)	1				

COLOR CODE:B-475(BLUE),N1-230/NN-07(GRAY),NN-B(BLACK)

Exploded View (Attachment)

NOTE: The parts marked with \triangle have special characteristics of safety, if replace the \triangle mark parts, use only SANYO specified parts.

SC-JS2B (U.S.A.)



Parts List

Key No.	Parts No.	Description	Q'ty
1	663 006 3927	GRIP PIPE ASSEMBLY	1
2	663 005 3164	CHARGE STAND UPPER (NN-09)	1
3	663 005 3331	LABEL B	1
\triangle 4	663 006 3934	POWER CORD (U2)	1
\triangle 5	663 006 3941	TRANSFOMER	1
\triangle 6	663 005 3201	CONTROL CIRCUIT ASSEMBLY	1
7	663 005 3218	CONTACT B	2
8	663 000 2872	SCREW (3X10)	2
9	663 005 3232	CHARGE STAND LOWER (NN-09)	1
10	663 005 3249	SCREW (4X16)	4
11	663 005 3362	NAME PLATE	1
	663 006 3958	INSTRUCTION MANUAL	1

Key No.	Parts No.	Description	Q'ty

COLOR CODE: NN-09 (GRAY)

For Parts or Service Contact
SANYO FISHER SERVICE CORPORATION.
21605 Plummer Street,
Chatsworth, CA 91311

Free Manuals Download Website

<http://myh66.com>

<http://usermanuals.us>

<http://www.somanuals.com>

<http://www.4manuals.cc>

<http://www.manual-lib.com>

<http://www.404manual.com>

<http://www.luxmanual.com>

<http://aubethermostatmanual.com>

Golf course search by state

<http://golfingnear.com>

Email search by domain

<http://emailbydomain.com>

Auto manuals search

<http://auto.somanuals.com>

TV manuals search

<http://tv.somanuals.com>