

SANYO

INSTRUCTION MANUAL

SC-X2017

Vacuum Cleaner



Thank you for your purchase of a
SANYO Vacuum Cleaner.

Please read these instructions carefully before using this product
and keep safe for further reference.

Table of Contents

Precautions -----	1-2
Introduction of Parts -----	2-3
Use Instructions -----	3-4
Maintenance -----	4-5
Technical Specification -----	5
Troubleshooting -----	6

Warning:

1. This vacuum cleaner is intended for household use only.
2. Any maintenance and repair must be handled by professional technician. Please do not try to repair by yourself which may cause danger!
3. The plug must be removed from the power socket before any maintenance or replacement.

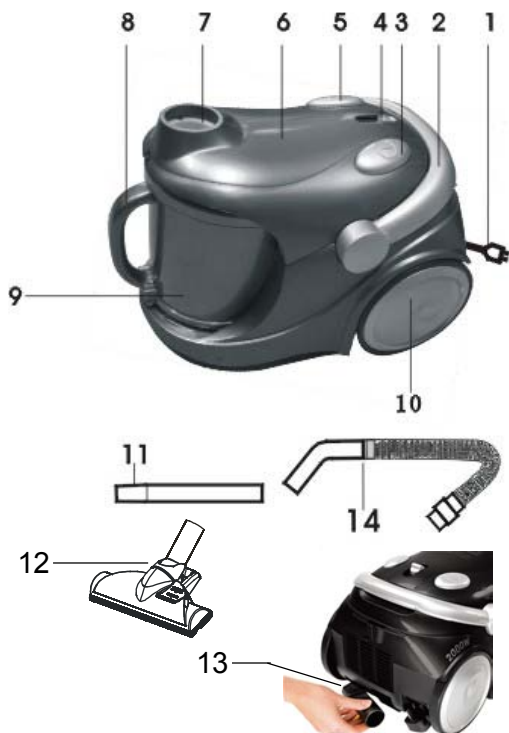
Precautions

- Do not leave appliance when plugged in. Unplug from outlet when not in use.
- Do not use outdoors or on wet surfaces.
- Do not allow to be used as a toy. Children should be supervised to ensure that they do not play with the appliance.
- The appliance is not intended for use by persons (including children) with reduced physical, sensory or mental capabilities, or lack of experience and knowledge, unless they have been given supervision or instruction concerning use of the appliance by a person responsible for their safety.
- Use only as described in this manual. Use only supplied attachments.
- Do not use with damage cord or plug. If appliance is not working as it should, has been dropped, damaged, left outdoors, or dropped into water, it must be repaired by qualified service agent.
- Do not pull or carry by cord, pedal cord, use cord as a handle, close a door on cord, or pull cord around sharp edges or corners. Do not run appliance over cord. Keep cord away from heated surfaces.
- Do not handle plug or appliance with wet hands.
- Do not put any object into openings. Do not use with any opening blocked; keep free of dust, lint, hair, and anything that may reduce air flow.
- Keep hair, loose clothing, fingers, and all parts of body away from openings and moving parts.
- Do not pick up anything that is burning or smoking, such as cigarettes, matches, or hot ashes.
- Do not use without filters in place.
- Turn off all controls before unplugging.
- Use extra care when cleaning stairs.
- Do not use to pick up flammable or combustible liquids such as gasoline or use in ashes when they may be present.
- Unplug before connecting any hose attachment accessory.

- Hold plug when they rewinding onto cord reel. Do not allow plug to whip when rewinding.
- Unplug before connecting any hose attachment accessory.
- Avoid using in a vertical position.
- If the supply cord of this appliance is damaged, ask the shop which you bought, or it must only be replaced by properly qualified service personnel because a special purpose tool is required.
- If you find the motor temperature too high or any unusual noise, should be smell or smoke found when using, stop the operation and unplug. Do not repair the appliance by yourself.

Introduction of Parts

1	Power cord
2	Handle
3	On/off switch pedal
4	Speed control button
5	Cord rewinding pedal
6	Upper cover
7	Hose socket
8	Dust bin
9	Dust barrel
10	Big wheel
11	Plastic tube
12	Floor brush
13	Integrated brush & nozzle
14	Flexible hose

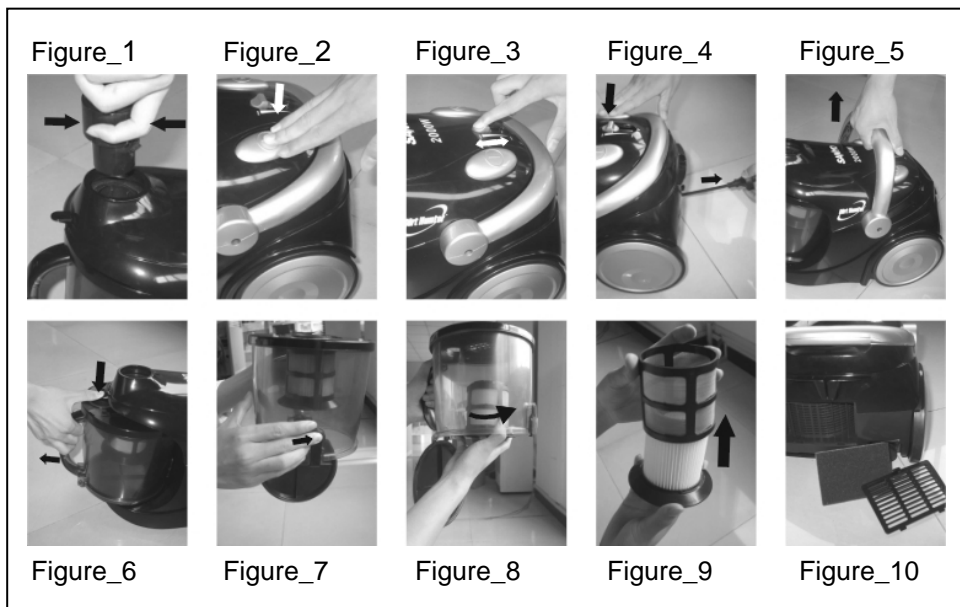


- Accessories:** 1 set hose accessory
1 piece floor brush
1 set tube
1 integrated brush nozzle.

Use Instructions

1. To connect the hose, press the buttons on the hose end and insert the hose into the hose socket until the hose locks. To detach, press the buttons and pull the hose toward you. (Figure_1)
2. Connect the telescopic tube firmly to the handle of hose.
3. Connect the floor brush or the combination nozzle firmly into the telescopic tube.
4. Before starting operation, pull out the power cord and then insert the plug into the power socket which conforms to that on the rating label for power supply.
5. Turn on the machine. Press the on/off button to start. (Figure_2)
6. The machine would start working without speed control. To control suction power, slide the speed control on the body. Suction power can also be controlled by sliding the airflow control on the hose. (Figure_3)
7. Combination nozzle. Use the crevice nozzle to vacuum edges and gaps. The head of the combination nozzle can rotate. Use the round brush to vacuum sofa, curtain or fragile or easily scratched items.
8. Turn off the machine: press the on/off switch button again, the machine is turned off. Pull the plug out of the power socket. (Figure_2)
9. Cord reminder. Before rewinding, be sure to the cord is unplugged. To rewind the power cord, press the cord rewind button. The cord will be drawn in. (Figure_4)

10. Moving the machine. Carrying it by using the carry handle. (Figure_5)



Maintenance

Caution:

Be sure to turn the power off and unplug the unit before cleaning.

1. Clear the dust:

- 1) Take out the dust cup and empty the dust. (Figure_6)
- 2) Clean the dust cup with water if necessary.

2. Clean Filters:

- 1) Rotate the filter and detach from the filter grill. Wash the filter in warm water and dry completely before put it back. Be sure to dry naturally to prevent deformation. (Figure_7,8,9)

2) To clean the motor protection filter, take out the filter and wash in water. It can be used after drying completely before put it back and be sure to dry naturally to prevent deformation.

It should be washed at least once a year. (Figure_10)

If the filter is damaged, replace with new filter.

Technical Specification

Input power:	2000W
Input voltage:	230-240V ~ 50Hz
Protection class:	II
Power cord length:	5m
Dust capacity :	3L

Trouble Shooting

If you have a problem with you cleaner, consult the handy guide below. If the cleaner is malfunctioning, do not operate it before asking for service.

Noisy operation Low Suction	Clean the filter and empty the dust cup. Clean or replace the filter. Remove the blockage. Put the dust cup in place.
Over-heating/ Automatically Stopping	Clean the filters, and empty the dust cup. Check for blockages and unblock and allow it to cool. Plug unit firmly.
Cannot Find the Combination Nozzle	Nozzle is clipped into a compartment at the bottom edge on the back of the vacuum cleaner (between the wheels). It is a single attachment.
Floor Brush hard to push	Due to the strong suction power, it may be difficult to push, especially thick carpet. Rather than force to use the floor brush, lift up the Floor Brush momentarily to allow air to flow into the vacuum releasing to the built up suction pressure , then do well to push floor brush. Slide and open the suction adjusting plate located on the hose handle grip. This will reduce suction power of the floor head.
Cord doesn't fully rewind	Pull out the cord and rewind again.

SANYO

SANYO Electric Co., Ltd.

Made in China

Free Manuals Download Website

<http://myh66.com>

<http://usermanuals.us>

<http://www.somanuals.com>

<http://www.4manuals.cc>

<http://www.manual-lib.com>

<http://www.404manual.com>

<http://www.luxmanual.com>

<http://aubethermostatmanual.com>

Golf course search by state

<http://golfingnear.com>

Email search by domain

<http://emailbydomain.com>

Auto manuals search

<http://auto.somanuals.com>

TV manuals search

<http://tv.somanuals.com>