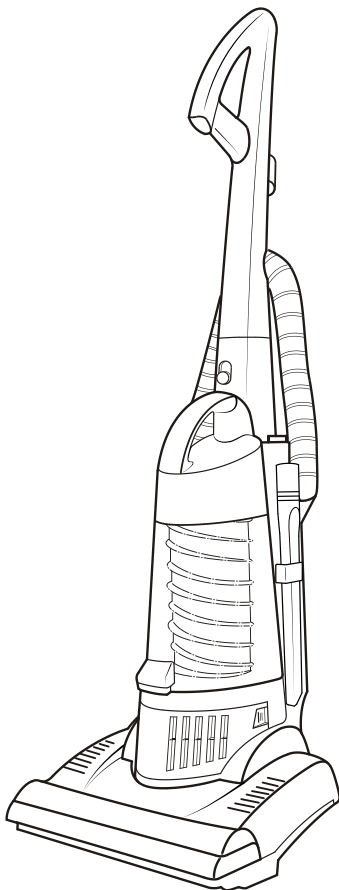




**INSTRUCTION MANUAL  
VACUUM CLEANER**

**SC-X80  
SC-X90**



**Contents**

IMPORTANT SAFETY INSTRUCTIONS ..... 1

NAMES OF EACH PART ..... 3

PREPARATIONS BEFORE USE ..... 4

USING THE VACUUM CLEANER ..... 6

USING THE ATTACHMENTS ..... 7

EMPTYING THE DUST COMPARTMENT ..... 8

CLEANING THE FILTERS ..... 9

CLEANING THE SECONDARY FILTERS ..... 10

CLEARING BLOCKAGES AND  
CLEANING THE AGITATOR ASSEMBLY ..... 11

REPLACEMENT INSTRUCTIONS ..... 12

TROUBLESHOOTING ..... 15

REPLACEMENT PARTS ..... 15

**HOUSEHOLD USE ONLY**

# IMPORTANT SAFETY INSTRUCTIONS

When using an electrical appliance, basic precautions should always be followed, including the following.

## READ ALL INSTRUCTIONS BEFORE USING THIS VACUUM CLEANER

**WARNING** - To reduce the risk of fire, electric shock or injury:

1. Do not leave the vacuum cleaner when plugged in. Unplug it from the outlet when not in use and before servicing.
2. Do not use outdoors or on wet surfaces.
3. Do not allow it to be used as a toy. Close attention is necessary when used by or near children or infirmed persons.
4. Use only as described in this manual. Use only the manufacturer's recommended attachments.
5. Do not use with a damaged cord or plug. If the vacuum cleaner is not working as it should, or if it has been dropped, damaged, left outdoors or dropped into water, return it to a service center.
6. Do not pull or carry by the cord, use the cord as a handle, close a door on the cord, or pull the cord around sharp edges or corners. Do not run the vacuum cleaner over the cord. Keep the cord away from heated surfaces.
7. Do not unplug by pulling on the cord. To unplug, grasp the plug, not the cord.
8. Do not handle the plug or the vacuum cleaner with wet hands.
9. Do not put any objects into the openings. Do not use with any opening blocked: keep free of dust, lint, hair and anything that may reduce air flow.
10. Keep hair, loose clothing, fingers and all the parts of your body away from openings and moving parts.
11. Do not pick up anything that is burning or smoking, such as cigarettes, matches or hot ashes.
12. Do not use without dust compartment and/or filters in place.
13. Turn off all controls before unplugging.
14. Use extra care when cleaning on stairs.
15. Do not use to pick up flammable or combustible liquids such as gasoline, or use in areas where they may be present.

16. Do not touch the agitator while it is spinning.
17. Do not place any heavy items on top of the vacuum cleaner.
18. Do not step on the hose or pull it too strongly.
19. Do not pick up items such as pieces of waste paper or cloth which look as though they may cause the hose to become blocked.
20. Do not clean or store the vacuum cleaner in places where there are high temperatures.
21. Store the vacuum cleaner away from excessive humidity.
22. When carrying the vacuum cleaner, hold it by the carrying handle.
23. Before servicing the vacuum cleaner, allow all metal parts to cool first.
24. Always place foot on handle release when adjusting the handle position of the vacuum cleaner.
25. If the supply cord of this appliance is damaged, it must only be replaced by a repair shop appointed by the manufacturer, because special purpose tools are required.

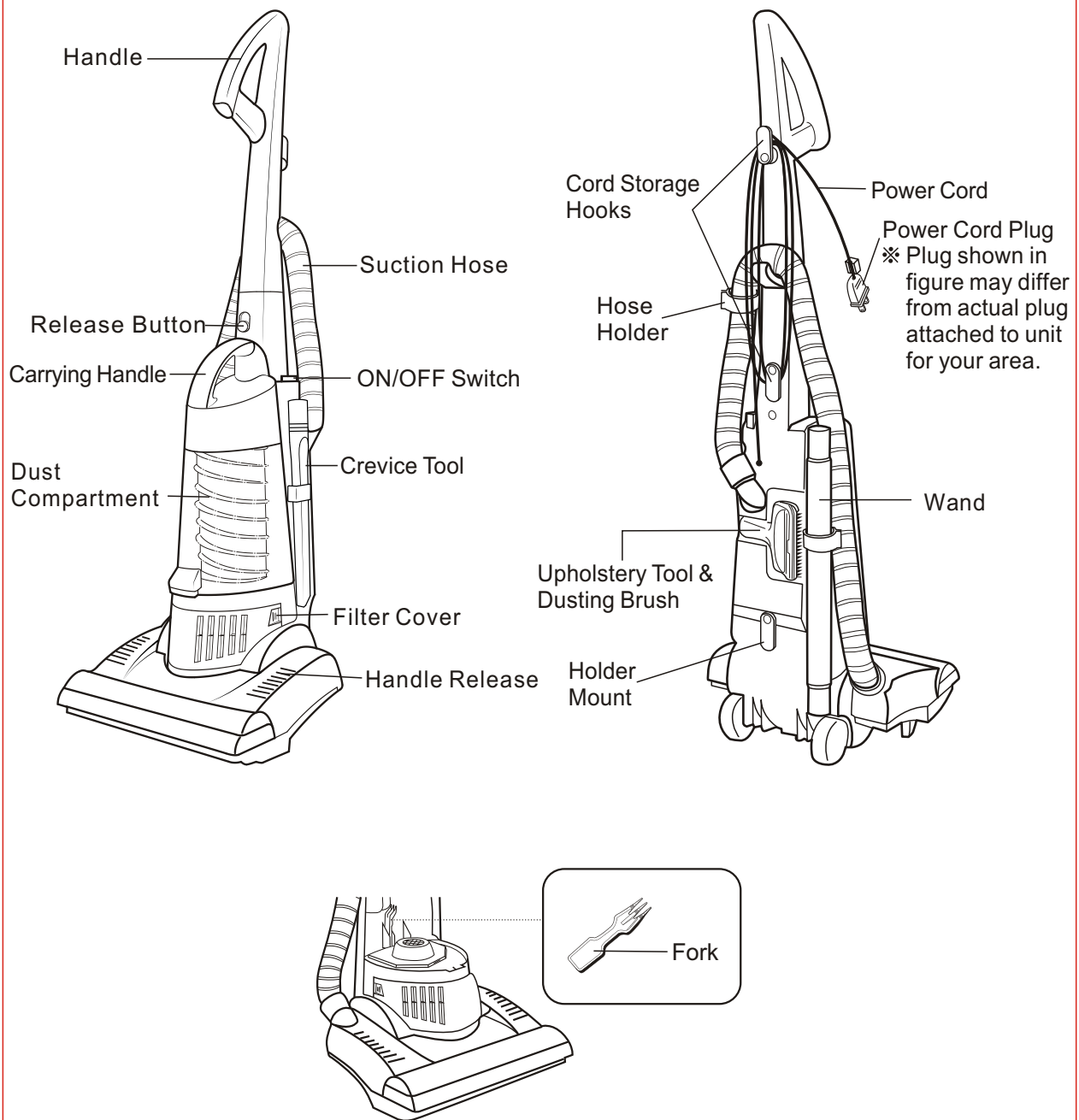
## **SAVE THESE INSTRUCTIONS**

This vacuum cleaner is intended for household use only.

# NAMES OF EACH PART

FRONT

REAR



## WARNING:

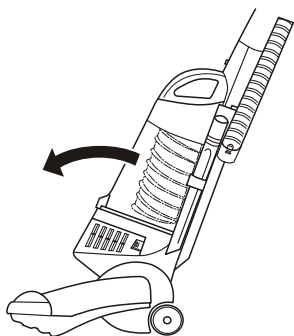
Operate vacuum cleaner only at the voltage specified on name plate.

# PREPARATIONS BEFORE USE

**Caution:** Do not connect the power cord plug to the wall outlet until assembly is completed.

## Attaching the handle

**1** Set the vacuum cleaner to the upright position.



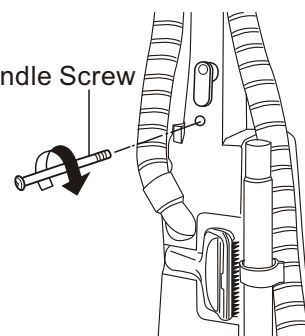
**2** The handle screw has been installed for shipping purposes. Remove the screw before inserting handle. Insert the handle as shown in the illustration.

Handle Screw

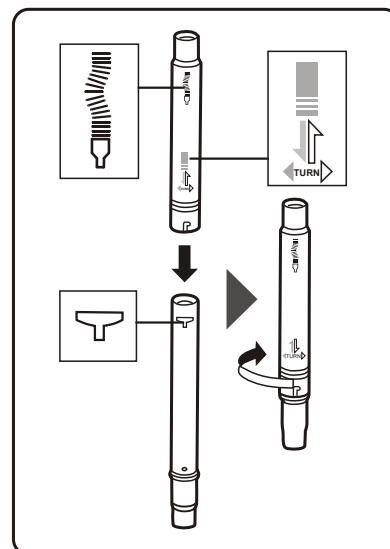
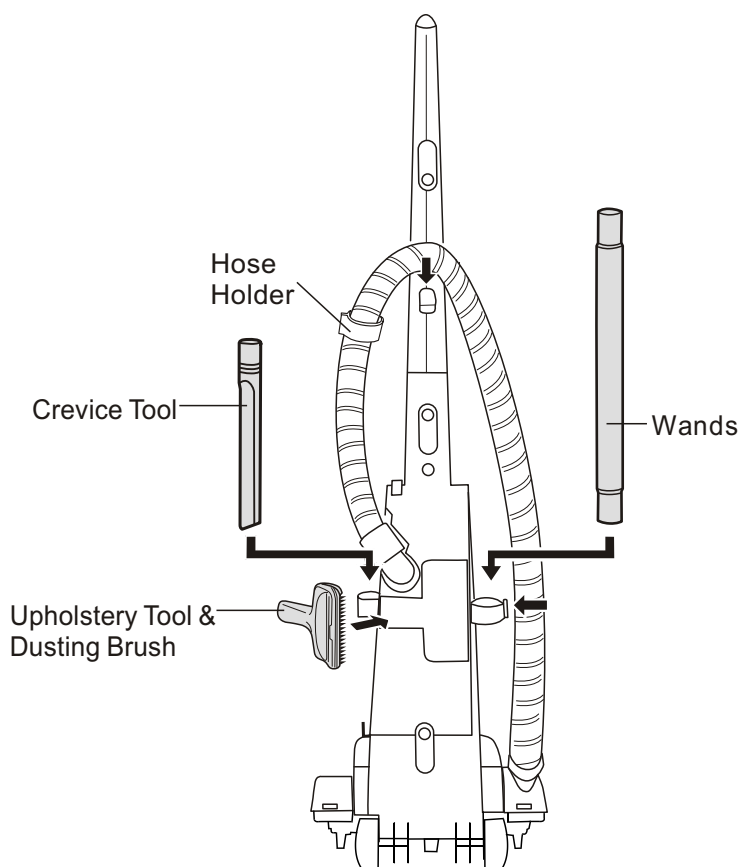


**3** Insert the screw that you removed. Be sure screw is tightened, but not over tightened.

Handle Screw



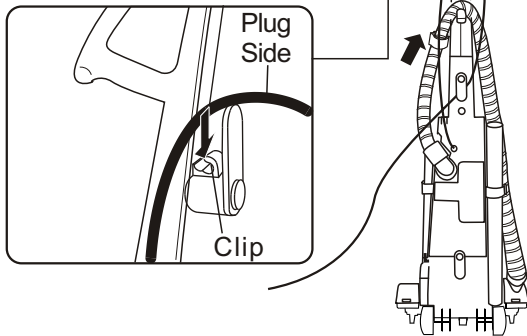
## Attaching the suction hose & attachments



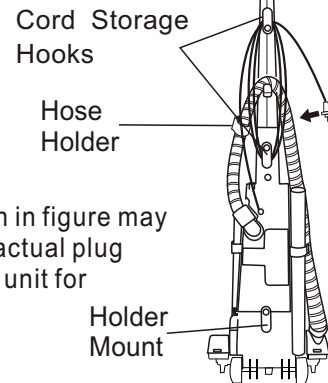
# PREPARATIONS BEFORE USE

## WINDING THE POWER CORD

- 1 Hook the power cord over the clip which is located on the upper cord storage hook as shown.



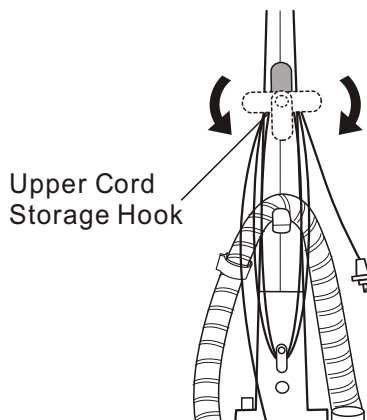
- 2 Wind the power cord around the cord storage hooks.



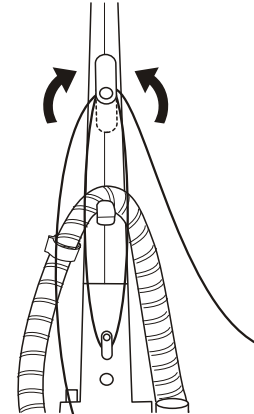
- Plug shown in figure may differ from actual plug attached to unit for your area.

## RELEASING THE POWER CORD

- 1 Rotate the upper cord storage hook downward.



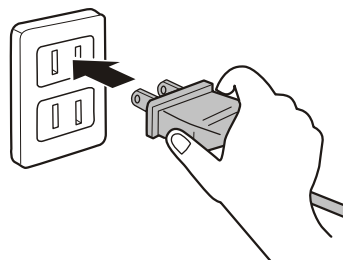
- 2 Return the hook to the upright position before attempting to rewind the power cord.



## INSERTING THE POWER CORD PLUG

Insert the power cord plug into the wall outlet.

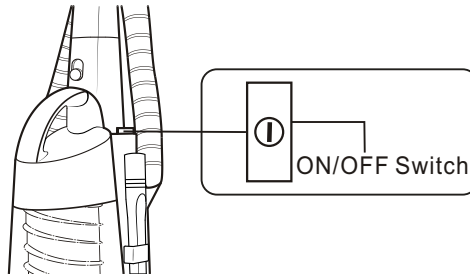
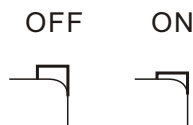
- Plug shown in figure may differ from actual plug attached to unit for your area.



# USING THE VACUUM CLEANER

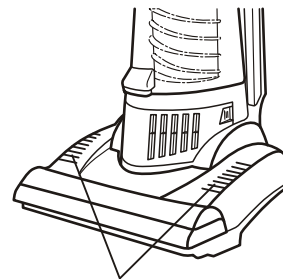
## ON/OFF SWITCH

- Start or stop vacuum cleaner by pushing on the switch.



## ADJUSTING THE HANDLE

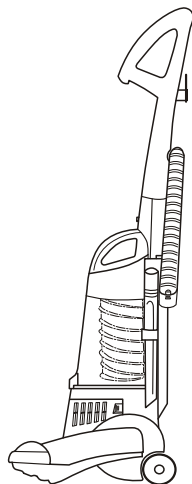
The handle of this vacuum cleaner can be set to one of three positions-Upright, Normal, Parallel. Place your foot on either one of the handle release points as shown and pull back on the handle until it releases from its upright position.



Handle Release

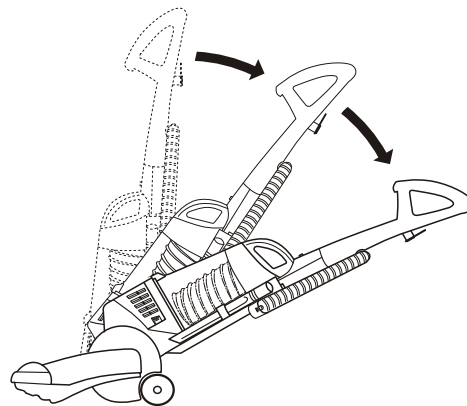
### Upright position

The handle is normally locked in this position for storage or when using the attachments. Push the handle forward until it locks.



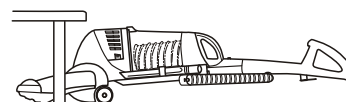
### Normal position

This position is used for normal cleaning.



### Parallel position

This position is used for cleaning under furniture.



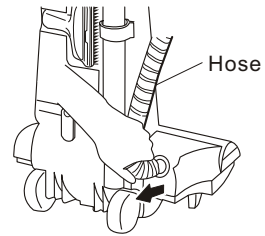
## EDGE CLEANING

This vacuum cleaner is equipped with an "edge cleaning" function for cleaning carpet edges near baseboards and stationary furniture.

# USING THE ATTACHMENTS

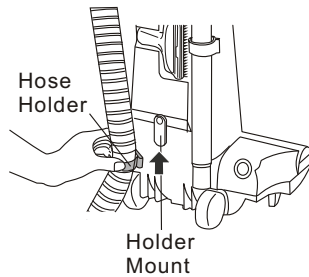
**Caution:** When using the attachments during cleaning, set the vacuum cleaner to the upright position.

**1** Disconnect the hose from the vacuum cleaner.  
Pull the hose gently in the direction of the arrow to disconnect it.



**2** Hook the hose holder onto the holder mount.

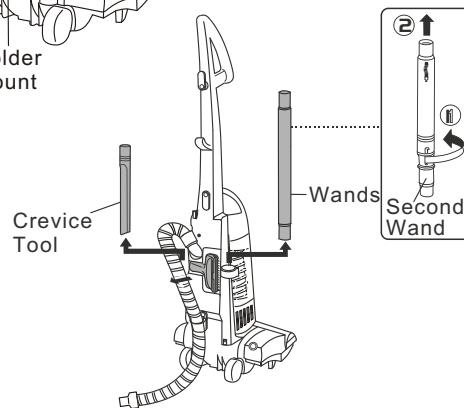
**Caution:**  
Before using the attachments, please make sure the hose is hooked on the holder mount.




**3** Remove the wands from the vacuum cleaner.

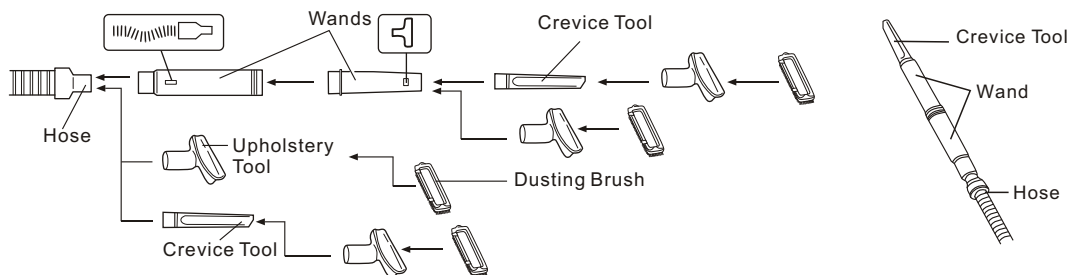
- Two wands are contained together. Pull out the second wand as shown.

**Caution:**  
When removing the attachments, pull them in the directions shown in the illustration. Pulling them in the wrong direction or pulling them forcefully may cause damage to the attachment ribs.



**4** Install the wand to the hose.

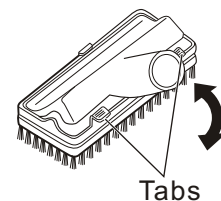
- To achieve maximum reach with the attachments, attach the crevice tool to the end of the wand.
- Securely and firmly connect the wand to the hose while twisting the wand, as shown in the illustration below.
- The end of the wand which has the marking of  should be connected to the hose.
- The upholstery tool & dusting brush can be attached directly to the wand, hose or the end of the crevice tool. Refer to the illustration for the correct way to position the upholstery tool & dusting brush.



## Upholstery tool & Dusting brush

To detach the dusting brush from the upholstery tool: Press the tabs on the brush downward to remove it.

To reattach the dusting brush to the upholstery tool: Insert the front of the upholstery tool under the hook on the front of the dusting brush. Press down on the back of the upholstery tool to snap it into place under the dusting brush tabs.

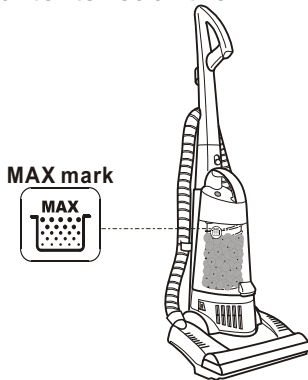




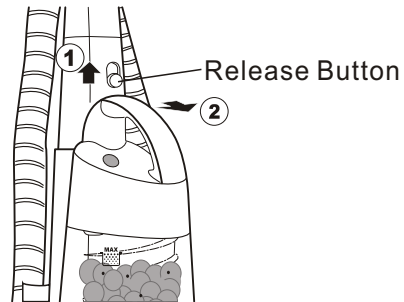
# EMPTYING THE DUST COMPARTMENT

**Caution:** Be sure to turn the ON/OFF switch to the "OFF" position and disconnect the power cord from the wall outlet before cleaning.

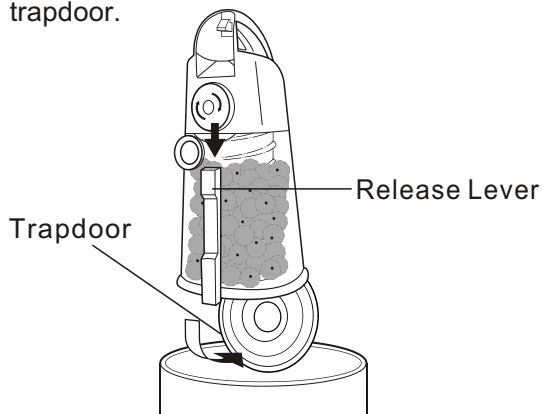
- 1** Empty the dust compartment when contents reach the MAX mark.



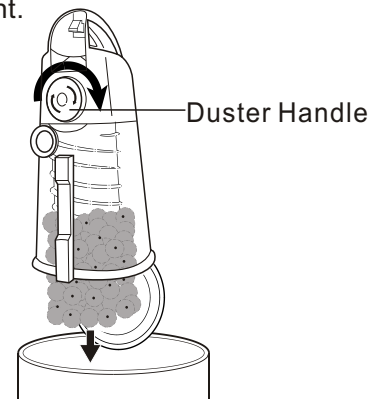
- 2** Push the release button to remove the dust compartment.



- 3** Press the release lever to open the trapdoor.

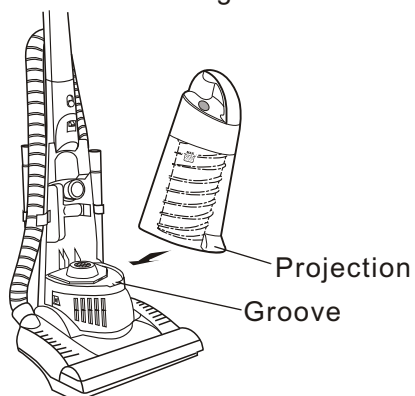


- 4** Turn the duster handle several times in the direction shown to empty the dust compartment.

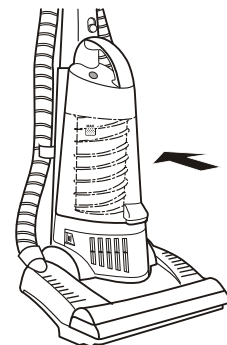


## Reattaching the Dust Compartment

- 1** Close the trapdoor and insert the projection on the dust compartment into the groove on the main body.



- 2** Push the dust compartment into the main body as shown to reattach.



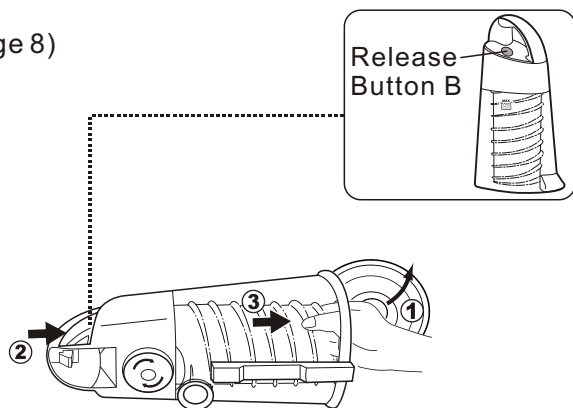
# CLEANING THE FILTERS

**1** Remove the dust compartment. (refer to page 8)

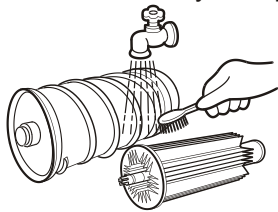
**2** Set the dust compartment to the parallel position. Open the trapdoor, then push the release button B and pull out the main filter.

- The main filter and prefilter will be removed at the same time.

**Caution:** Do not push the release button B at the upright position. As this may drop or damage the main filter and prefilter.



**3** Clean the main filter and prefilter with a soft-bristled brush and rinse with cold water. Allow both items to dry completely.



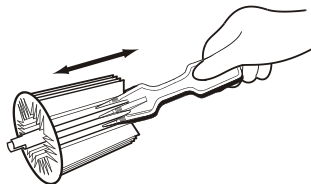
## Caution:

- Do not use a hard-bristled brush to clean filters. This may result in damage to the filters.
- Do not attempt to dry with a hair dryer or by placing in a clothes dryer. Hot air may cause the filters to warp.

## Cleaning utensil

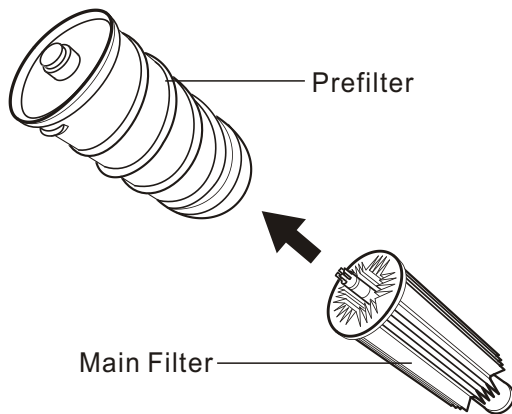
To maintain optimum suction power, the dust filter fins should be kept clean of dirt.

- Clean the filter fins free of dirt with the end of fork as shown.



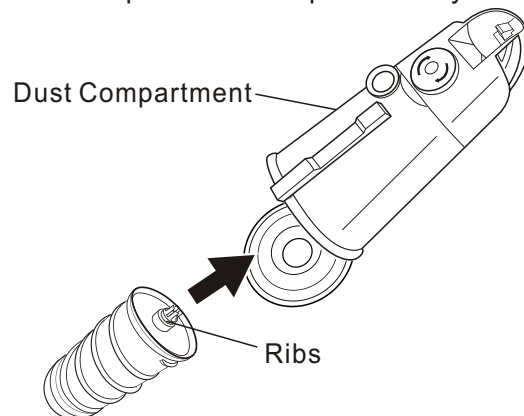
## Reattaching the filters

**1** Insert the main filter into the prefilter as shown.



**2** Hold onto the main filter and insert into the dust compartment.

- Align the ribs of the main filter to match the shape of the hole in the dust compartment and press firmly to insert.



**3** Close the trapdoor.

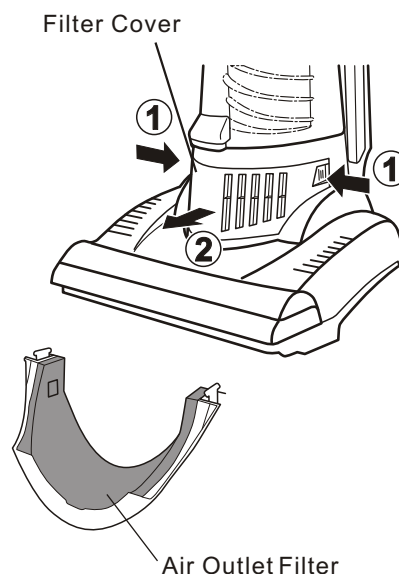
# CLEANING THE SECONDARY FILTERS

**Caution:** Be sure to turn the ON/OFF switch to the "OFF" position and disconnect the power cord from the wall outlet before cleaning the filters.

## CLEANING THE AIR OUTLET FILTER

The secondary filters consist of a general filter and a sub-filter. Only use genuine Sanyo replacement filters.

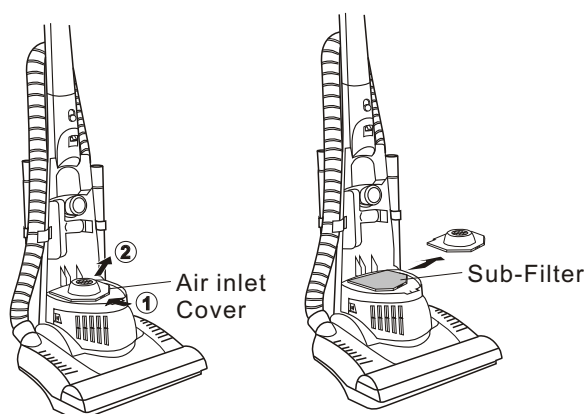
- 1 Remove the filter cover.
- 2 Remove the air outlet filter from the filter cover.
- 3 Gently clean the air outlet filter with water.
- 4 Make sure that it is completely dry and then re-install it into the filter cover.
- 5 Replace the filter cover.



## CLEANING THE SUB-FILTER

Clean the sub-filter when it becomes dirty.

- 1 Remove the dust compartment (refer to page 8).  
Remove the air inlet cover.
- 2 Remove the sub-filter from the vacuum cleaner.
- 3 Gently clean the sub-filter with water.
- 4 Make sure that it is completely dry and then re-install it into the vacuum cleaner.  
Replace the air inlet cover and the dust compartment.



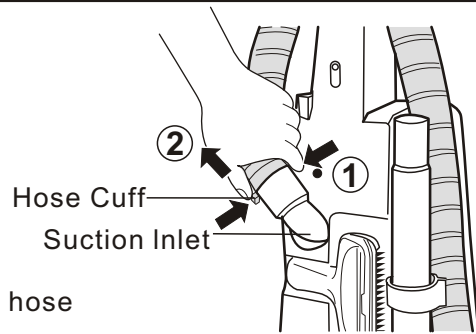
**Caution:** Do not wash the air outlet filter and sub-filter in a washing machine, and do not use any other equipment such as a hair dryer to dry it. Do not operate the vacuum without the sub-filter. Be sure the filter is dry and properly installed. Failure to do so could result in electrical shock, personal injury, or motor failure.

# CLEARING BLOCKAGES IN THE SUCTION HOSE AND CLEANING THE AGITATOR ASSEMBLY

**Caution:** Be sure to turn the ON/OFF switch to the " OFF " position and disconnect the power cord from the wall outlet before clearing any blockages in the suction hose and cleaning the agitator assembly.

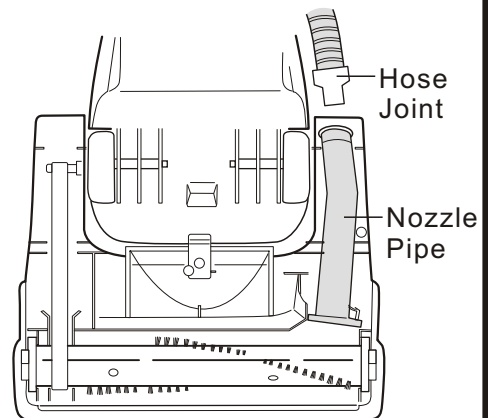
## Clearing blockages in the suction hose

- 1 Set the vacuum cleaner to the upright position.
- 2 Remove the hose cuff from the suction inlet and then remove any blockages from the hose.
- 3 Reattach the hose cuff to the suction inlet, and then operate the vacuum cleaner to check that the blockage has been properly cleared. If the hose is still blocked, the suction force will be weak.



## If the hose still appears to be blocked:

- 1 Set the vacuum cleaner to the parallel position and turn it over.
- 2 Remove the lower hose joint from the lower suction inlet as shown above.
- 3 Remove the bottom plate. (refer to page 14)
- 4 Remove any blockages in the nozzle pipe, while being extremely careful not to damage it.
- 5 Re-install all the parts in the reverse order of removal. (For the procedure for reattaching the bottom plate, refer to page 14)



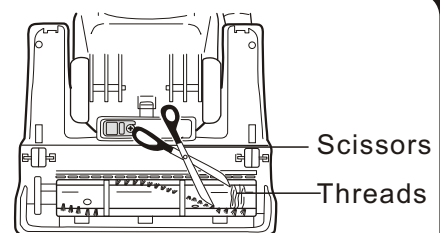
### Caution:

- Check that all parts have been installed correctly before reattaching the bottom plate.
- Firmly and securely insert the lower hose cuff.

## Cleaning the agitator assembly

When threads get caught in the agitator assembly, clean the assembly.

Remove threads caught in the assembly by cutting them with scissors.

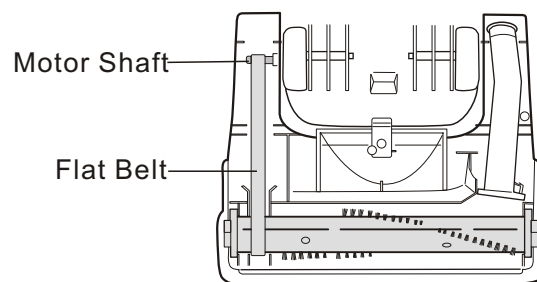
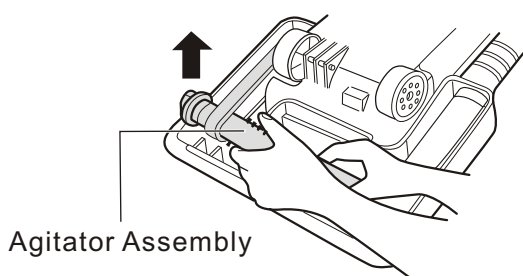


# REPLACEMENT INSTRUCTIONS

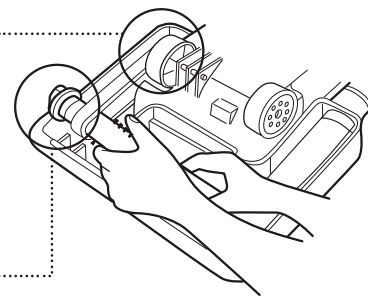
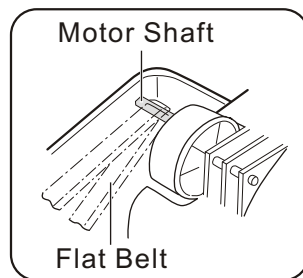
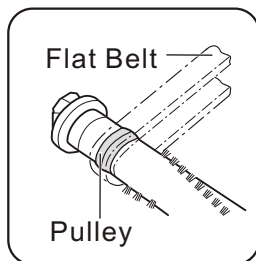
**Caution:** Be sure to turn the ON/OFF switch to the "OFF" position and disconnect the power cord from the wall outlet before replacing any of the parts below.

## REPLACING THE FLAT BELT

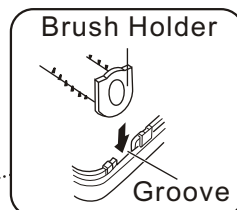
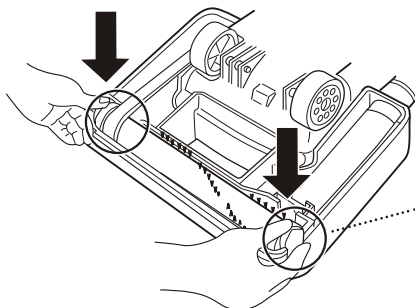
- 1** Remove the bottom plate.  
(refer to page 14)
- 2** Lift out the agitator assembly, and then remove the flat belt from the motor shaft and the agitator pulley.



- 3** Place a new flat belt onto the motor shaft and pulley.



- 4** Holding two ends of the agitator to place the agitator assembly into the grooves by in the nozzle head, making sure that the new flat belt slides securely into the guide.



**Caution:**  
Install the flat belt so that it has no twists in it, and so that all components turn smoothly.

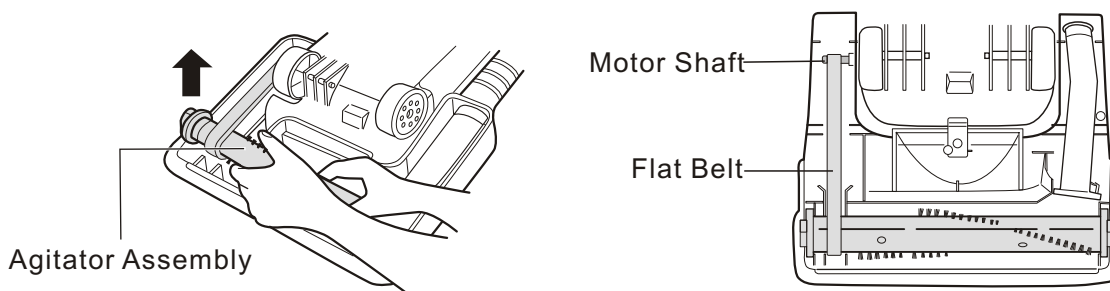
- 5** Reattach the bottom plate  
(refer to page 14)

# REPLACEMENT INSTRUCTIONS

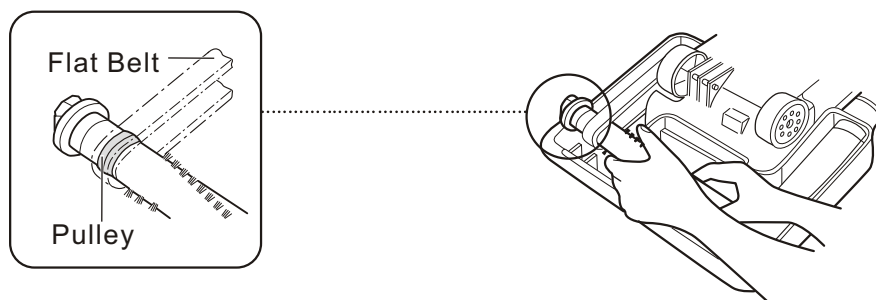
**Caution:** Be sure to turn the ON/OFF switch to the "OFF" position and disconnect the power cord from the wall outlet before replacing any of the parts below.

## REPLACING THE AGITATOR

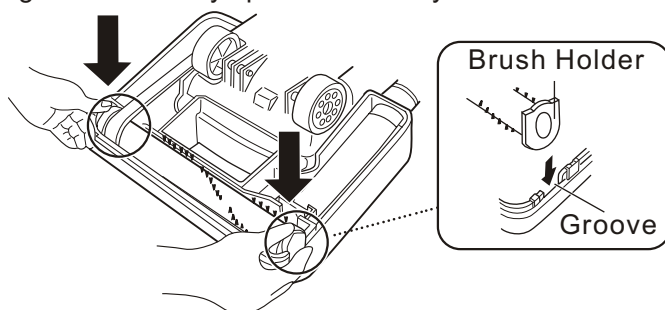
- 1** Remove the bottom plate.  
(refer to page 14)
- 2** Lift out the agitator assembly, and then remove the agitator assembly as shown.



- 3** Place the flat belt onto the pulley of the new agitator assembly.



- 4** Place the agitator assembly into the grooves in the nozzle head, making sure that the new agitator assembly operate smoothly.



**Caution:**  
Install the flat belt so that it has no twists in it, and so that all components turn smoothly.

- 5** Reattach the bottom plate  
(refer to page 14)

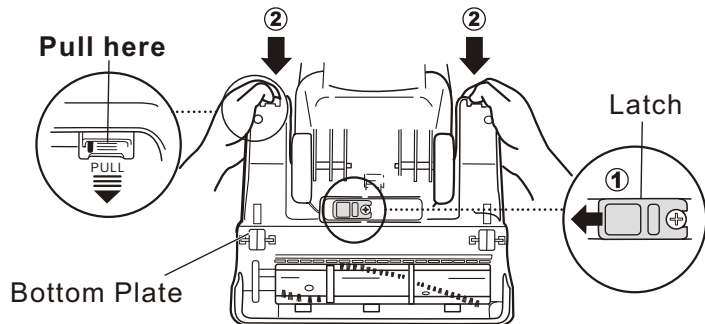
# REPLACEMENT INSTRUCTIONS

## REMOVING THE BOTTOM PLATE

**1** Set the vacuum cleaner to the parallel position and turn it over.

**2** Slide the latch in the direction shown.

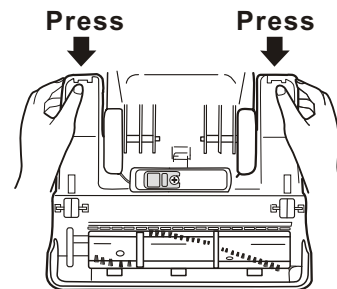
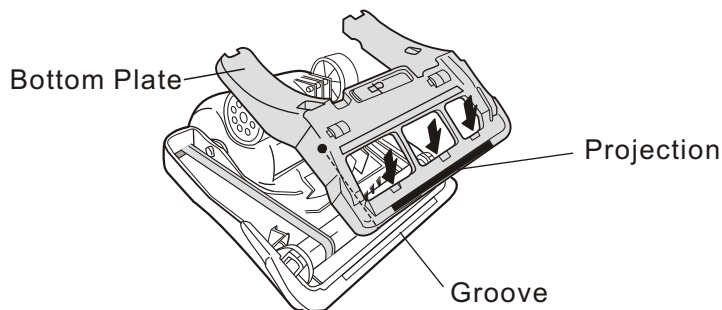
**3** Remove the bottom plate by pulling the tabs as illustrated.



## REATTACHING THE BOTTOM PLATE

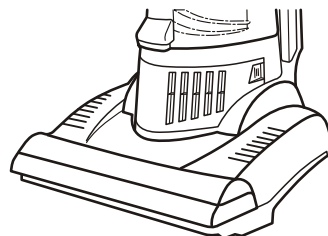
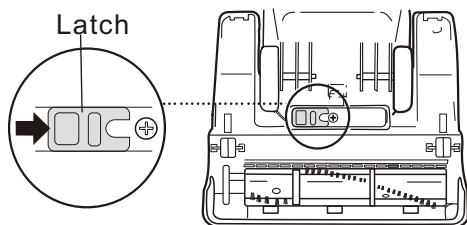
**1** Insert the projection on the bottom plate into the groove on the nozzle head and set the bottom plate in place.

**2** Push the bottom plate as shown.



**3** Slide the latch in the direction shown.

**4** Turn the vacuum over and place in the upright position.



# TROUBLESHOOTING


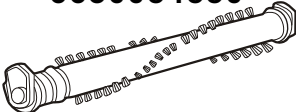
If there is a problem with the vacuum cleaner, carry out the following checks to find the cause. If the problem still persists after the checks have been made, do not use the vacuum cleaner to prevent the possibility of an accident occurring. Turn the ON/OFF switch to the "OFF" position, disconnect the power cord from the wall outlet, and contact the place of purchase or your nearest Sanyo Service Center.

Problem	Cause	Remedy
The motor does not operate when the ON/OFF switch is set to the "ON" position.	<ul style="list-style-type: none"> <li>The power cord plug is not securely inserted into the wall outlet.</li> </ul>	<ul style="list-style-type: none"> <li>Insert the power cord plug securely into the wall outlet.(refer to page 5)</li> </ul>
Suction force is weak.	<ul style="list-style-type: none"> <li>The dust compartment is full.</li> <li>The suction hose is blocked.</li> <li>The nozzle head is blocked.</li> <li>The filters (main filter, pre-filter and the secondary filters) are dirty.</li> </ul>	<ul style="list-style-type: none"> <li>Empty the dust compartment. (refer to page 9)</li> <li>Remove the blockage. (refer to page 11)</li> <li>Remove the blockage (refer to page 11)</li> <li>Clean the filters. (refer to page 10)</li> </ul>
The noise is loud.	<ul style="list-style-type: none"> <li>The agitator is dirty.</li> </ul>	<ul style="list-style-type: none"> <li>Clean the agitator. (refer to page 11)</li> </ul>
The agitator does not operate.	<ul style="list-style-type: none"> <li>The flat belt is worn or broken.</li> <li>The agitator is worn or broken.</li> </ul>	<ul style="list-style-type: none"> <li>Replace the flat belt. (refer to page 12)</li> <li>Replace the agitator. (refer to page 13)</li> </ul>

# REPLACEMENT PARTS

- Be sure to use only Sanyo specified parts.
- Replacement parts can be obtained from your nearest Sanyo dealer or from nearest sanyo service center.
- If you want to replace any parts, do please contact the place of purchase or your nearest sanyo service center.

## Part Name & Illustration

<p><b>SC-BL3</b></p>  <p>Flat Belt</p>	<p><b>6630054550</b></p>  <p>Agitator Assembly</p>
<p>※This replacement can be obtained from nearest sanyo service center.</p>	

9BF-D-P111-00610 0204-ⓐ  
E

# SANYO

SANYO Electric Co., Ltd.  
OSAKA, JAPAN



## Free Manuals Download Website

<http://myh66.com>

<http://usermanuals.us>

<http://www.somanuals.com>

<http://www.4manuals.cc>

<http://www.manual-lib.com>

<http://www.404manual.com>

<http://www.luxmanual.com>

<http://aubethermostatmanual.com>

Golf course search by state

<http://golfingnear.com>

Email search by domain

<http://emailbydomain.com>

Auto manuals search

<http://auto.somanuals.com>

TV manuals search

<http://tv.somanuals.com>