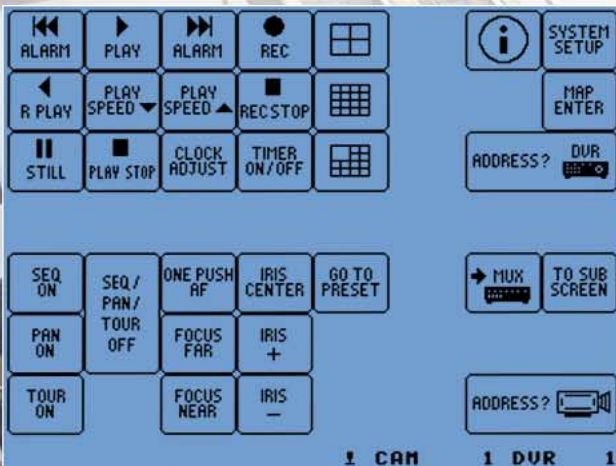


SSP System Controller

VSP-9000

- Control system supporting SSP devices and multiple protocols
- Backlit LCD with integrated touch screen
- Telemetry control (pan/tilt/zoom) via 3-axis joystick
- Customization of up to 26 user maps
- 40 freely configurable macro function keys for each map



Intuitive operation with integral touch screen



3-Axis Joystick

VSP-9000

Linking a whole host of security devices for user-friendly, fingertip control

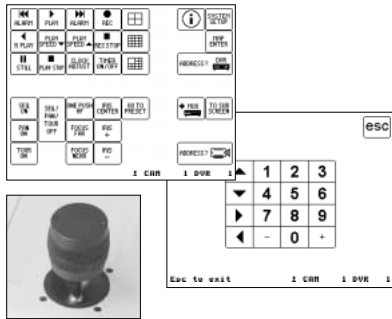
Main Features

Centralized control of vast range devices from a single controller

The VSP-9000 controller enables centralized control of up to 254 cameras and 100 multiplexers and DVRs using SANYO's Security Serial Protocol (SSP) and other brand name protocols*. The VSP-9000 simplifies the operation of today's increasingly complex medium- to large-scale security systems. *Please consult a SANYO supplier for details on supported protocols.

Fingertip control with built-in touch screen and 3-axis joystick

The 320 x 240 LCD screen features an integrated touch screen and GUI for intuitive, user-friendly system setup and operation that's as easy as pressing the on-screen menu buttons. Added to this is the built-in 3-axis joystick that places telemetry control of remote PTZ dome cameras, DVRs and other controller-linked system elements at your fingertips.



26 customizable user maps with 40 macro function keys each

Enabling control of a total of 254 cameras, multiplexers, and digital video recorders, the VSP-9000 simplifies the operation of today's increasingly complex medium- to large-scale security systems with an LCD touch panel and up to 26 customizable user maps. Each map is allotted 40 freely configurable macro function keys which allow the operator to control individual devices by assigning an address to each device.

* Menus and submenus can be set by pressing the keys represented by the icons.

* User maps can easily be designed by PC GUI and uploaded on the keyboard through RS-232C

6 password levels

The VSP-9000 facilitates a multi-level security setting according to the access level of the user.

Control system supporting SSP devices and multiple protocols

Supports not only SSP, but also the RS-422 standard to facilitate control of other major brand devices.

Realize enhanced effectiveness in your security environment

The SSP control system forms a state-of-the-art security environment that utilizes existing surveillance cameras and recording devices by effectively combing a multifunction VSP-9000 controller and VSP-CB10 modulators supporting SSP for RS-485 communications. A system linking cameras, multiplexers and other elements to enable user-friendly, fingertip control of up to 254 devices from a single controller. See SSP Compatible Devices below for information on the SPP product lineup.

SSP Compatible Devices

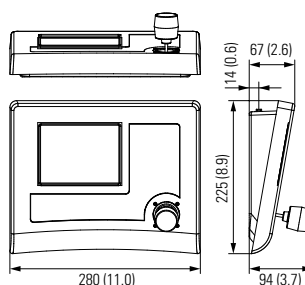
| SSP System Unit | Recorders | Cameras |
|---------------------------|---|------------------------------------|
| VSP-CB10 Signal Converter | DSR-M810 1ch Digital Video Recorder | VCC-9300 PTZ Color Camera |
| VSP-RV200 PTZ Receiver | DSR-M814 4ch Digital Video Recorder | VCC-9400 PTZ Day/Night Camera |
| | DSR-3009 9ch Digital Video Recorder | VCC-9000 PTZ Color Camera |
| | DSR-3016 16ch Digital Video Recorder | VCC-9100 PTZ Day/Night Camera |
| | DSR-3709 9ch Digital Video Recorder | VCC-ZM300A Color AF Zoom Camera |
| | DSR-3716 16ch Digital Video Recorder | VCC-ZM400 Day/Night AF Zoom Camera |
| | DSR-5016 16ch Digital Video Recorder | |
| | DSR-300 with Optional Communication Board | |

Specifications

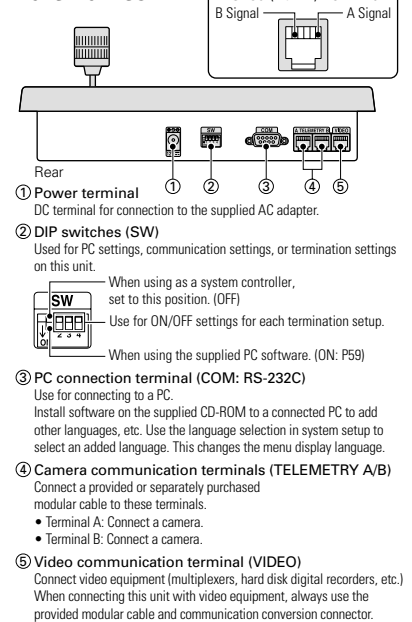
| Model No. | VSP-9000 | |
|----------------------------|---|--|
| Communication method | RS-485, RS-422, RS-232C | |
| Graphic display | 320 x 240 pixels, backlight by white LED | |
| Communication speed | 2400, 4800, 9600, 19200 bps | |
| Control terminals | RJ-11 x 3 (RS-485: one for DVR/Multiplexer, two for Cameras) D-SUB 9-pin x 1 (RS-232C: for PC) | |
| No. of connectable devices | Total: 256 devices can be connectable in a system • Controllers: Max. 5 • DVRs/Multiplexers: Max. 100 via VIDEO terminal • Cameras: Max. 127 via TELEMETRY A port Max. 127 via TELEMETRY B port | |
| No. of user maps | 26 maps, 40 keys for each map | |
| Protocols | PTZ Dome Cameras: SANYO, Videotec, Pelco-D, Sensormatic/ American Dynamics, VCL DVRs/Multiplexers: SANYO, Videotec Video matrix switchers: Videotec | |
| Menu languages | English, French, German, Italian (expandable to 12 languages using bundled software) | |
| Operating conditions | Temperature: 5°C - 40°C Humidity: 80% or less | |
| Power source | 12V DC, 1000 mA | |
| Dimensions | Main body: 280 x 94 x 225 mm [11.0" x 3.7" x 8.9"] (w/ 3-axis proportional joystick) Graphic display: 115 x 86 mm [4.5" x 3.4"] | |
| Weight | 900 g [1.98 lbs.] | |
| Accessories | AC Adaptor x 1, Power cable x 3 (for USA, UK & Continental Europe), RS-232C cable x 1, Telephone cable x 6, RJ jack shunt boxes x 6, Setup software (CD-ROM) | |

NOTE: Specifications subject to change without notice.

Dimensions [Unit: mm (inch)]



Part Names



Caution: Please consult the instruction manual to ensure safe and proper operation of the product.



DI Company of Sanyo Electric Co., Ltd.
obtained Quality Management System
ISO 9001 and Environmental Management
System ISO 14001 certifications.

Distributed by:



SANYO Electric Co., Ltd.
www.sanyosecurity.com

©2005 SANYO Printed in Japan '05.6.MA.

Free Manuals Download Website

<http://myh66.com>

<http://usermanuals.us>

<http://www.somanuals.com>

<http://www.4manuals.cc>

<http://www.manual-lib.com>

<http://www.404manual.com>

<http://www.luxmanual.com>

<http://aubethermostatmanual.com>

Golf course search by state

<http://golfingnear.com>

Email search by domain

<http://emailbydomain.com>

Auto manuals search

<http://auto.somanuals.com>

TV manuals search

<http://tv.somanuals.com>