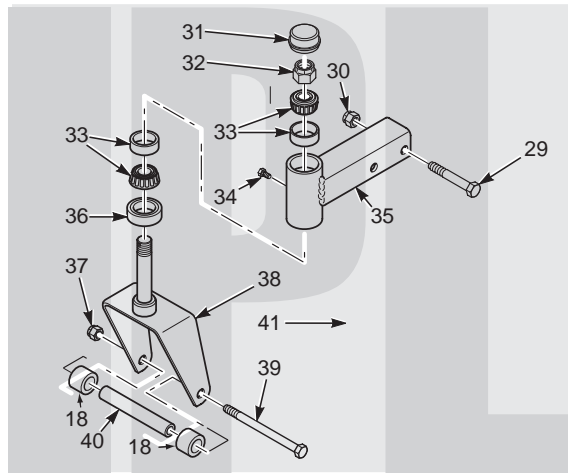


# SCAG<sup>®</sup>

## POWER EQUIPMENT



# MODEL SFZ

## ILLUSTRATED PARTS LIST

THIS MANUAL CONTAINS THE ILLUSTRATED PARTS LIST FOR MODELS:

<b>SFZ48-19KA</b>	with a serial number of	<b>D8600001 to D8600300</b>
<b>SFZ48-26BS</b>	with a serial number of	<b>D8500001 to D8500300</b>
<b>SFZ52-19KA</b>	with a serial number of	<b>D8800001 to D8800150</b>
<b>SFZ52-26BS</b>	with a serial number of	<b>D8700001 to D8700200</b>
<b>SMFZ-48</b>	with a serial number of	<b>D9700001 to D9799999</b>
<b>SMFZ-52</b>	with a serial number of	<b>D9800001 to D9899999</b>

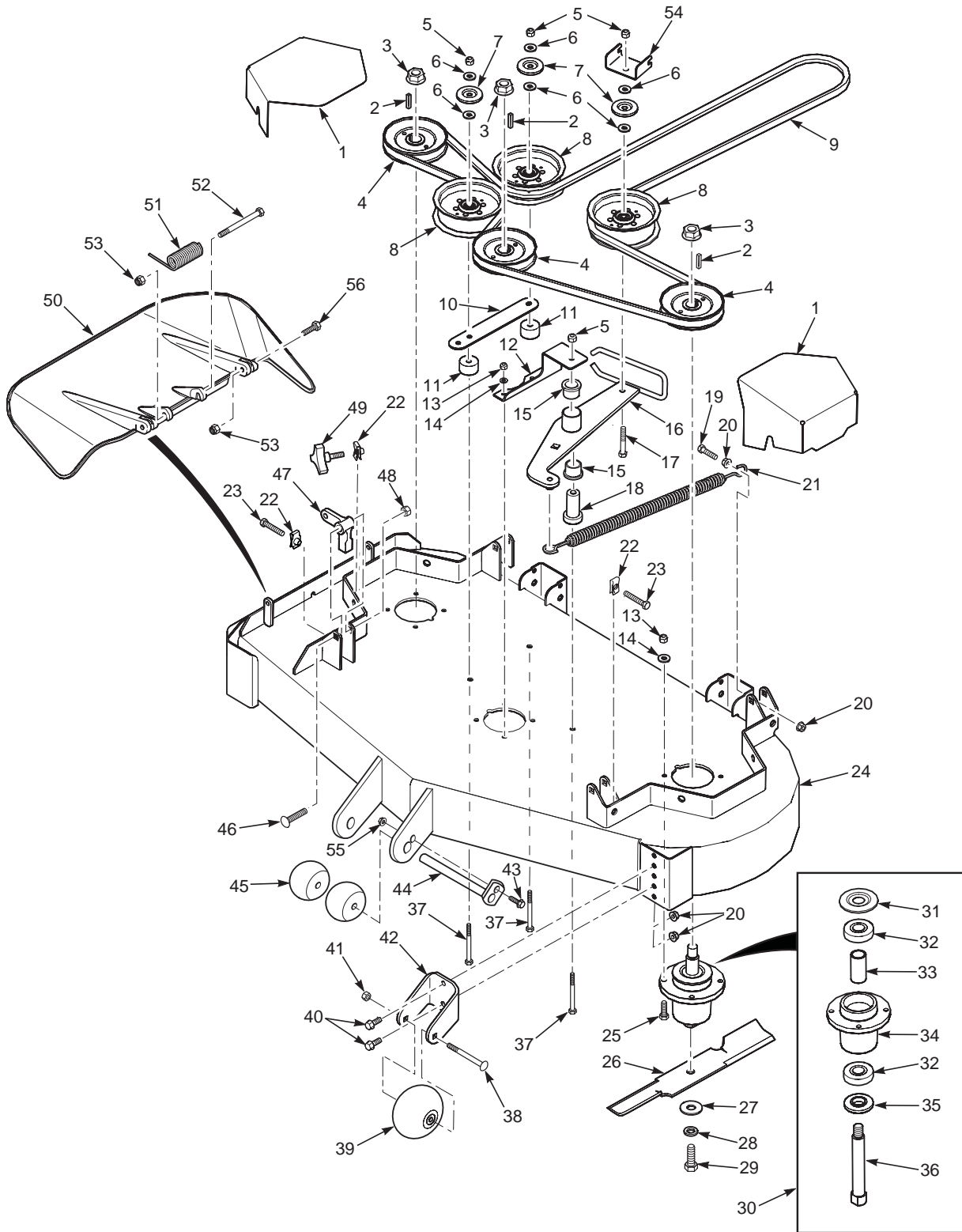
# NOTES



## ILLUSTRATED PARTS LIST TABLE OF CONTENTS

<b>SUBJECT</b>	<b>PAGE</b>
48, 52 Cutter Deck.....	2-3
Cutter Deck Controls .....	4-5
Sheet Metal Components .....	6-7
SFZ Roll Over Protection System .....	8-9
Drive System Components .....	10-11
Fuel and Electrical System .....	12-13
ZT-2800 Hydraulic Axle Assembly .....	14-15
Replacement Decals .....	16-17
Electrical Schematic - SFZ.....	18

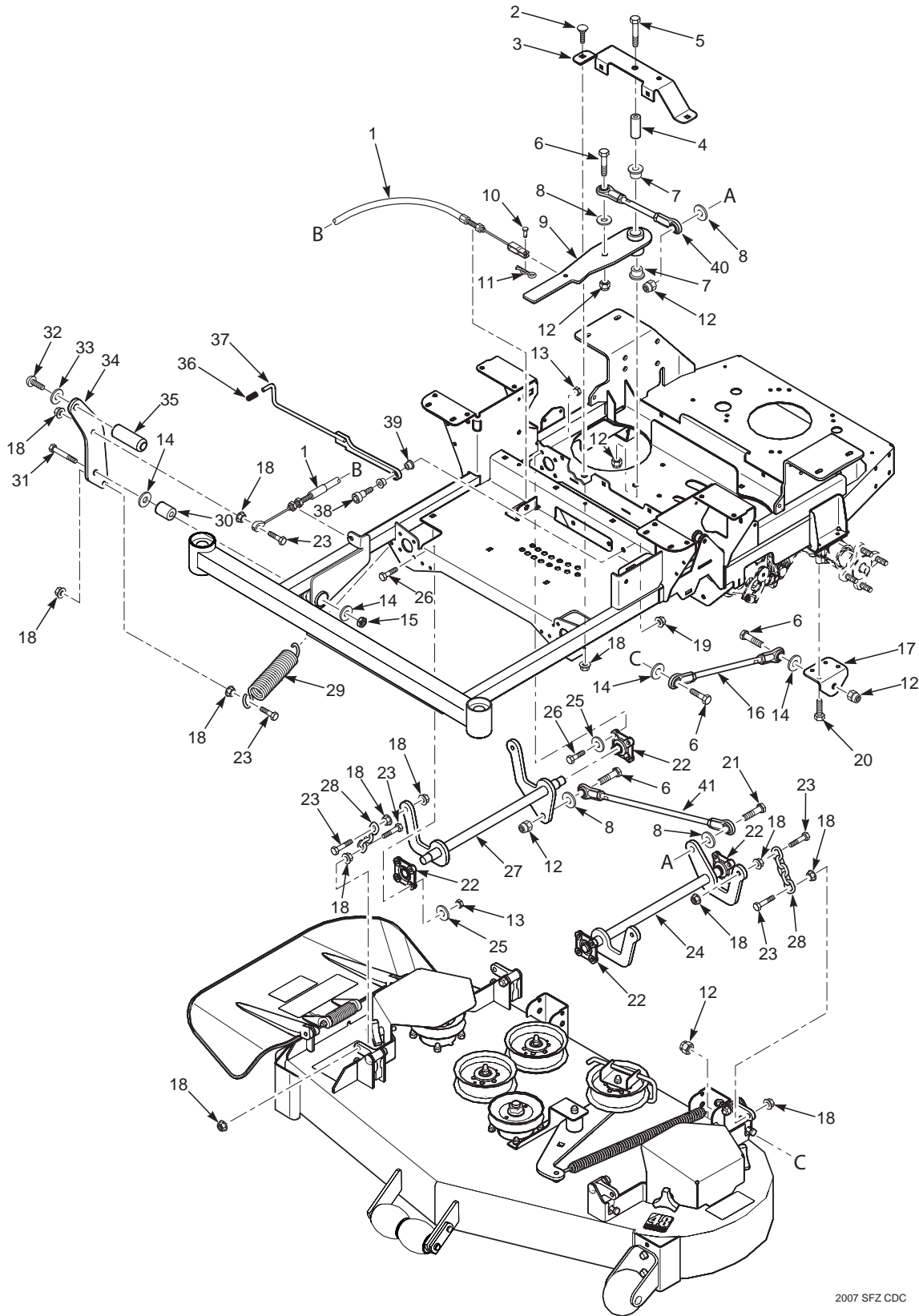
### 48" & 52" CUTTER DECKS



## 48" &amp; 52" CUTTER DECKS

Ref. Part No.	Part No.	Description	48	52	Ref. Part No.	Part No.	Description	48	52
1	424528	Belt Cover	x	x	29	04001-121	Bolt, Hex Head 5/8-11 x 1-1/2"	x	x
2	04063-01	Key, 1/4 x 1/4 x 1-1/4"	x	x	30	461950	Spindle Assembly	x	x
3	04112-06	Nut, 3/4-16 Spiral Lock	x	x	31	483304	Debris Shield	x	x
4	483323	Pulley, 5.13" OD - 25mm Bore	x		32	483303	Bearing	x	x
	483324	Pulley, 5.73" OD - 25mm Bore		x	33	43693	Spacer, Bearing	x	x
5	04021-09	Nut, Elastic Stop 3/8-16	x	x	34	462014	Spindle Housing Assembly (incl. 32, 33)	x	x
6	04043-04	Flatwasher, 3/8 - .391 x .938 x .105	x	x	35	43694	Protector, Bearing	x	x
7	424367	Dust Shield	x	x	36	43695	Shaft, Spindle	x	x
8	483422	Pulley, 5" Idler	x	x	37	04001-77	Bolt, Hex Head 3/8-16 x 3-1/2"	x	x
9	483325	Belt, Cutter Deck	x		38	04003-26	Bolt, Carriage 3/8-16 x 4"	x	x
	483326	Belt, Cutter Deck		x	39	481632	Wheel, Anti-Scalp	x	x
10	424479	Brace, Pulley	x	x	40	04017-27	Bolt, Hex Head 3/8-16 x 1" Serr. Flange	x	x
11	43711	Spacer	x	x	41	04021-05	Nut, Center Lock 3/8-16	x	x
12	424548	Support, Idler Pivot	x		42	422478	Bracket, Anti-Scalp	x	x
	424547	Support, Idler Pivot		x	43	04001-09	Bolt, Hex Head 5/16-18 x 1"	x	x
13	04021-22	Nut, Elastic Stop 5/16-18	x	x	44	451926	Shaft Weldment	x	x
14	04030-03	Lockwasher, 5/16 Spring	x	x	45	482295	Wheel, Anti-Scalp	x	x
15	483453-03	Bearing	x	x	46	04003-42	Bolt, Carriage 7/16-14 x 2-1/4"	x	x
16	462037	Idler Arm (incl. Item #15)	x	x	47	483361	Lever, Deck Level	x	x
17	04001-31	Bolt, Hex Head 3/8-16 x 2-1/2"	x	x	48	04021-11	Nut, Elastic Stop 7/16-14	x	x
18	43708	Pivot, Idler	x	x	49	481625-01	Knob w/Stud	x	x
19	04001-136	Bolt, Hex Head 3/8-16 x 1-1/2" Gr. 8	x	x	50	462031	Discharge Chute Assembly		x
20	04019-04	Nut, Serrated Flange 3/8-16	x	x		462032	Discharge Chute Assembly		x
21	483375	Spring, Idler	x	x	51	482245	Spring, Discharge Chute	x	x
22	04110-03	U-Nut, 3/8-16	x	x	52	04001-154	Bolt, Hex Head 5/16-18 x 4-3/4"	x	x
23	04107-04	Bolt, Hex Head 3/8-16 x 2" Special Lock	x	x	53	04021-10	Nut, Elastic Stop 5/16-18	x	x
24	462039	Cutter Deck w/Decals, SFZ	x		54	424615	Bracket, Belt Guide	x	x
	462040	Cutter Deck w/Decals, SFZ		x	55	04019-03	Nut, Serrated Flange 5/16-18	x	x
25	04001-11	Bolt, Hex Head 5/16-18 x 1-1/2"	x	x	56	04001-12	Bolt, Hex Head 5/16-18 x 1-3/4"	x	x
26	482877	Cutter Blade, 16.5"	x						
	482878	Cutter Blade, 18"		x					
27	04043-06	Flatwasher, 5/8-.688 x 1.75 x .134 HD	x	x					
28	04030-07	Lockwasher, 1/2 Spring	x	x					

### CUTTER DECK CONTROLS

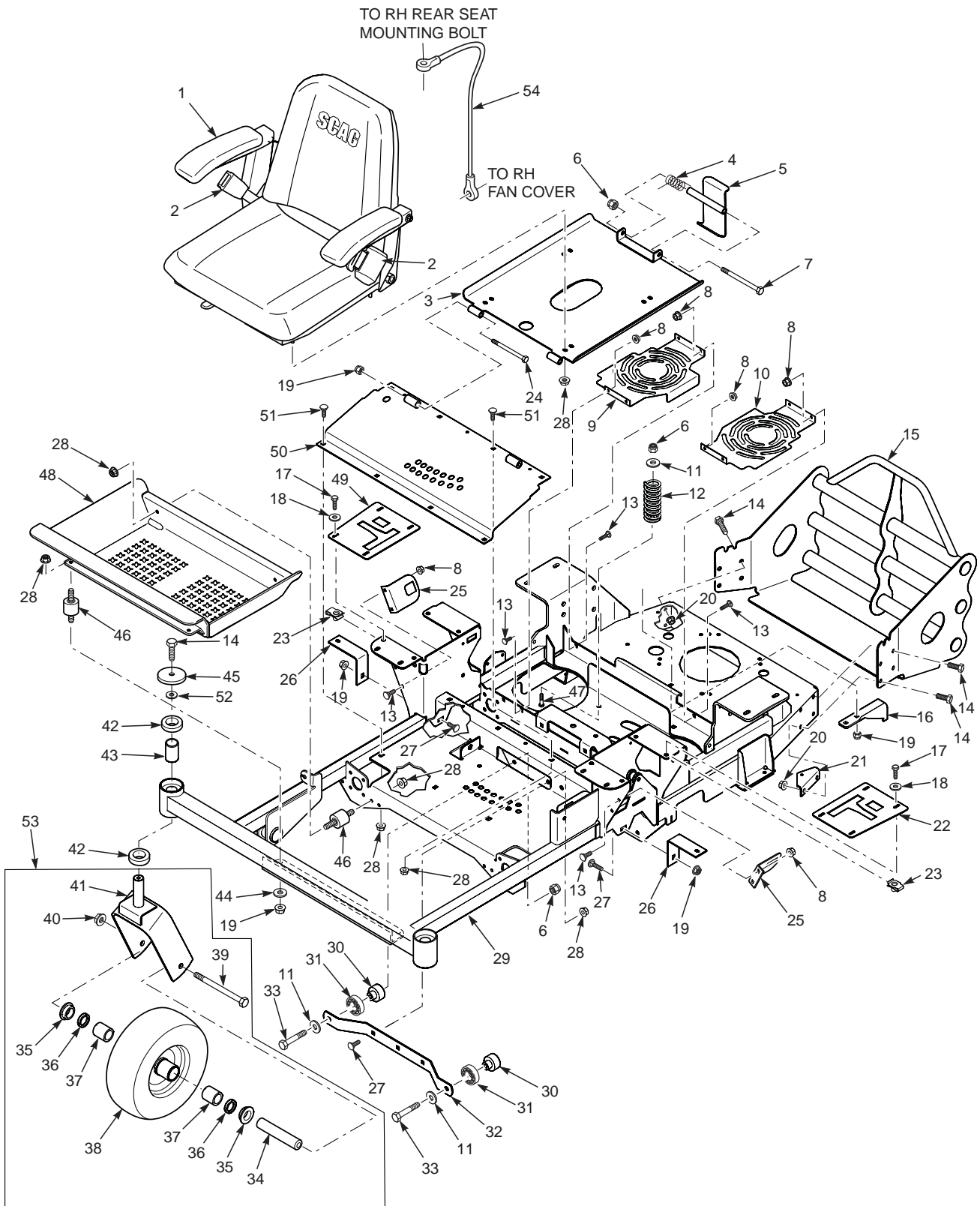


2007 SFZ CDC

## CUTTER DECK CONTROLS

Ref. No.	Part No.	Description
1	483341	Cable, Deck Lift
2	04003-31	Bolt, Carriage 3/8-16 x 3/4"
3	424476	Support, Idler Arm
4	43710	Spacer, Deck Lift Pivot
5	04001-90	Bolt, Hex Head 1/2-13 x 3-1/4"
6	04001-183	Bolt, Hex Head 1/2-13 x 1-3/4"
7	483453-03	Bearing
8	04040-07	Flatwasher, 1/2-.531 x 1.06 x .095
9	461999	Deck Lift Bellcrank Assy.
10	04064-17	Clevis Pin, 5/16 x 3/4"
11	04062-01	Hair Pin, .094 x 1.62"
12	04021-07	Nut, Elastic Stop 1/2-13
13	04021-10	Nut, Elastic Stop 5/16-18
14	04040-13	Flatwasher, 1/2-.562 x 1.375 x .109
15	04021-19	Nut, Center Lock 1/2-13
16	483332	Linkage, Push Arm
17	424489	Bracket, Push Arm Link
18	04019-04	Nut, Serrated Flange 3/8-16
19	04021-09	Nut, Elastic Stop 3/8-16
20	04001-49	Bolt, Hex Head 5/16-18 x 3"
21	04001-52	Bolt, Hex Head 1/2-13 x 2-1/2"
22	483334	Bearing, Deck Lift
23	04001-20	Bolt, Hex Head 3/8-16 x 1-1/2"
24	451868	Weldment, Deck Lift LH
25	04040-14	Flatwasher, 1/4-.312 x .750 x .065
26	04001-09	Bolt, Hex Head 5/16-18 x 1"
27	451867	Weldment, Deck Lift RH
28	482628	Chain, Deck Lift
29	483374	Spring, Deck Lift
30	43710	Sleeve, Deck Lift Pivot
31	04001-74	Bolt, Hex Head 1/2-13 x 3"
32	04105-01	Bolt, Hex Socket 5/8-11 x 1-1/2"
33	04030-07	Lockwasher, 5/8" Spring
34	424535	Pedal, Foot Bracket
35	424504	Foot Pedal
36	483492	Grip, Deck Latch
37	491254	Weldment, Deck Latch
38	04009-06	Bolt, Shoulder 1/2 x 1/2"
39	483453-10	Bearing
40	483328	Linkage Assy., Deck Lift
41	483367	Linkage Assy., Deck Lift

### SHEET METAL COMPONENTS

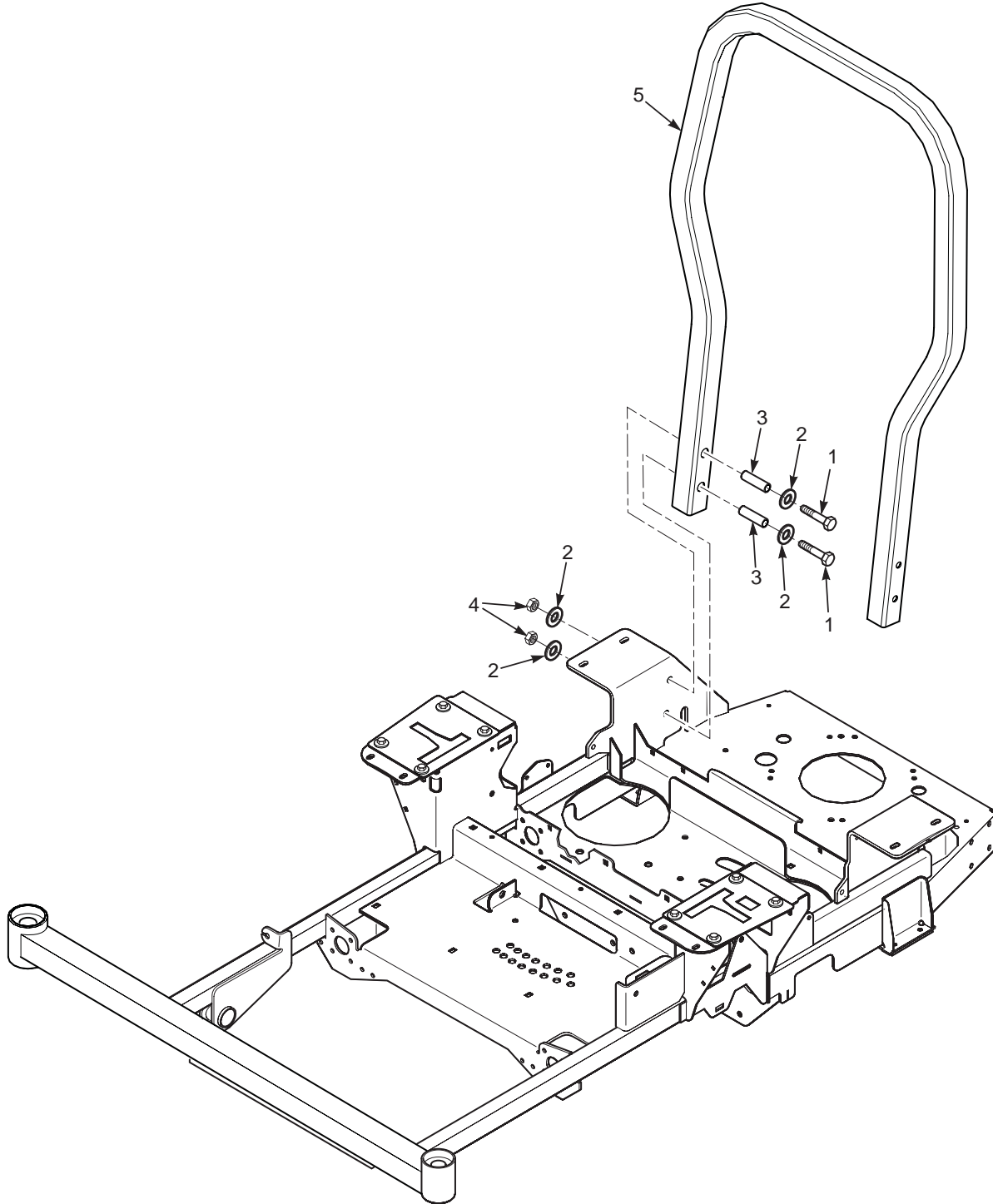




## SHEET METAL COMPONENTS

Ref. Part No.	Part No.	Description	Ref. Part No.	Part No.	Description
1	483408	Seat Assembly	30	43703	Spacer, Bearing
	483544	Back Cushion	31	483379	Bearing
	483545	Bottom Cushion	32	424480	Support, Deck Guide
	483549	Arm Rest Kit	33	04001-31	Bolt, Hex Head 3/8-16 x 2-1/2"
	483543	Seat Adjustment Track Set	34	43698	Sleeve, Front Caster Wheel
2	483412	Seat Belt Assembly, Retractable	35	483453-09	Bearing
	461990	Hardware Package, Seat Belt Mouting	36	483486	Seal, 1 x 1.375 x .25
3	462034	Seat Base w/decals	37	483453-08	Bearing
4	483371	Spring, Seat Latch	38	483409	Caster Wheel Assembly
5	451883	Seat Latch		483417	Tire, 11 x4-5.00 2-Ply
6	04021-09	Nut, Elastic Stop 3/8-16		483410	Rim, 5 x 3.25 w/Valve
7	04001-100	Bolt, Hex Head 3/8-16 x 6"	39	04001-80	Bolt, Hex Head 1/2-13 x 6-1/2"
8	04019-02	Nut, Serrated Flange 1/4-20	40	04021-07	Nut, Elastic Stop 1/2-13
9	424585	Cover, Fan RH	41	451845	Yoke, Caster Wheel
10	424550	Cover, Fan LH	42	483466	Bearing
11	04041-07	Flatwasher, 3/8-.391 x .938 x .105	43	43736	Spacer, Caster Bearing
12	483372	Spring, Seat	44	04040-15	Flatwasher, 5/16-.375 x .875 x .083
13	04003-07	Bolt, Carriage 1/4-20 x 1/2"	45	04041-38	Flatwasher, 3/8-.406 x 2.25 x .188
14	04001-19	Bolt, Hex Head 3/8-16 x 1"	46	483493	Rubber Isolator
15	451929	Rear Bumper	47	04003-11	Bolt, Carriage 3/8-16 x 1-1/4"
16	424523	Bracket, Anti-Rotation	48	451889	Foot Plate Weldment
17	04001-14	Bolt, Hex Head 1/4-20 x 1"	49	462024	Control Plate RH
18	04040-14	Flatwasher, 1/4-.312 x .750 x .065	50	462005	Weldment, Deck Lift Cover
19	04021-10	Nut, Elastic Stop 5/16-18	51	04003-14	Bolt, Carriage 5/16-18 x 1/2"
20	04019-04	Nut, Serrated Flange 3/8-16	52	04040-11	Flatwasher, 7/16-.500 x 1.250 x .083
21	424639	Bracket, Dump Valve	53	462015	Caster Wheel Assembly w/Yoke
22	462023	Control Plate LH	54	483559	Cable, Seat Stop
23	04110-01	U-Nut 1/4-20			
24	04001-73	Bolt, Hex Head 5/16-18 x 3-3/4"			
25	424511	Bracket, Switch Mount			
26	424516	Bracket, Tank Mount			
27	04003-12	Bolt, Carriage 5/16-18 x 3/4"			
28	04019-03	Nut, Serrated Flange 5/16-18			
29	462022	Main Frame w/Decals			

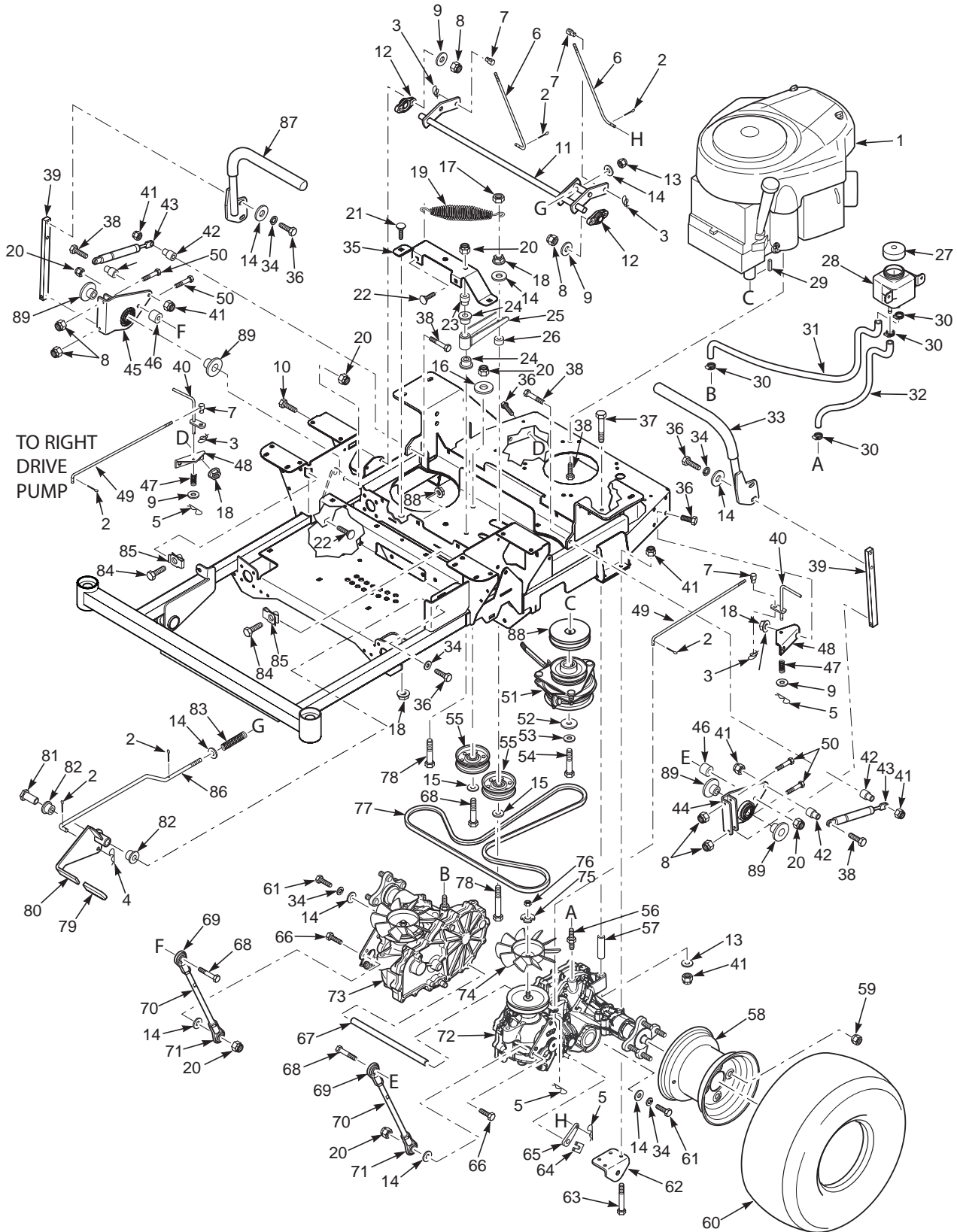
### SFZ ROLL-OVER PROTECTION SYSTEM



**SFZ ROLL-OVER PROTECTION SYSTEM**

<b>Ref. No.</b>	<b>Part No.</b>	<b>Description</b>
1	04001-184	Bolt, Hex Head 1/2-13 x 3-1/4" Gr. 8
2	04040-13	Flatwasher, 1/2-.562 x 1.375 x .109
3	43743	Bushing, SFZ ROPS
4	04021-19	Nut, Center Lock 1/2-13
5	462021	ROPS, SFZ

### DRIVE SYSTEM COMPONENTS

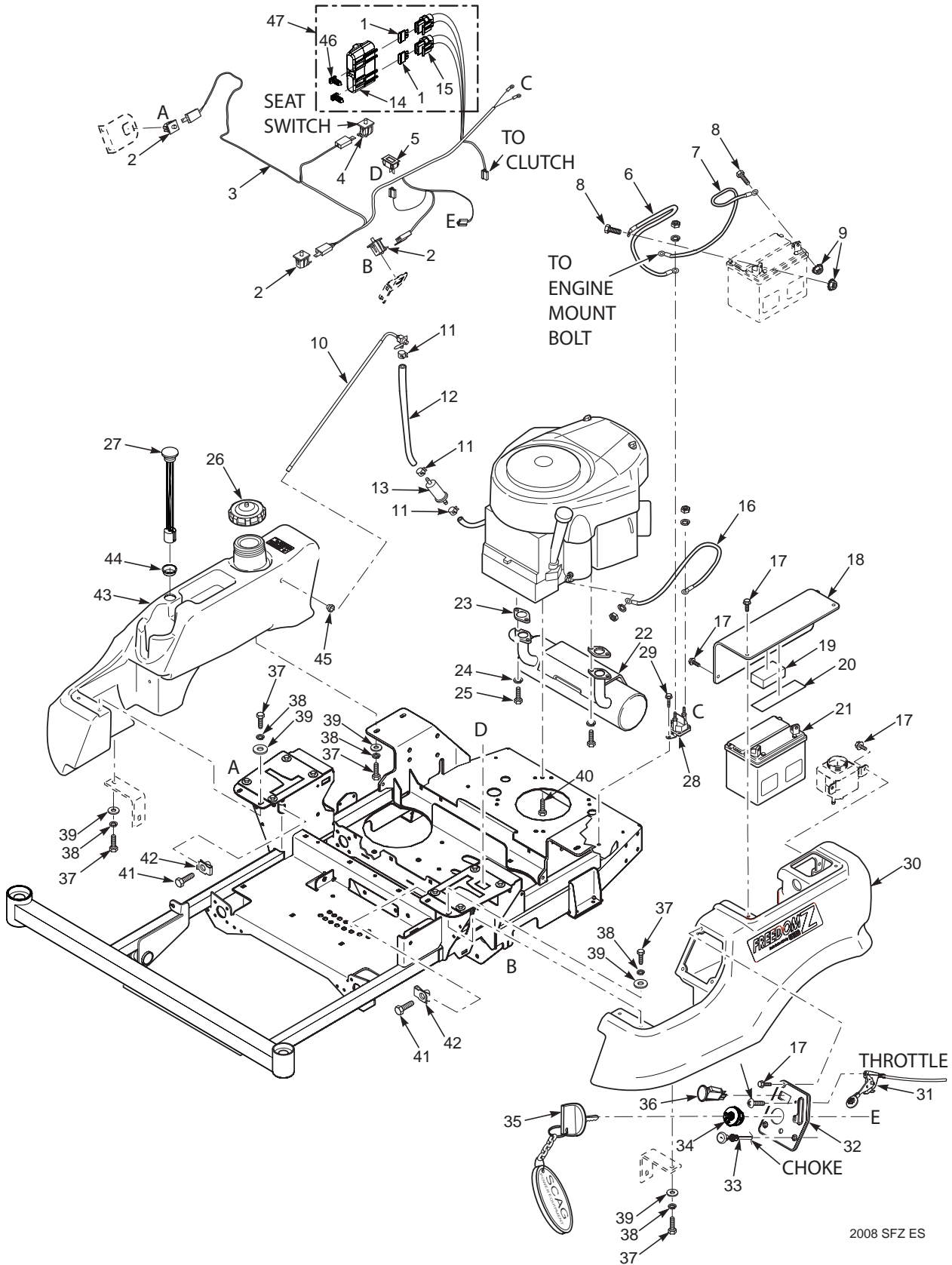


2007 SFZ DSC

## DRIVE SYSTEM COMPONENTS

Ref. Part No.	Part No.	Description	Ref. Part No.	Part No.	Description
1	483465	Engine, Briggs & Stratton 26hp	49	44162	Rod, Brake Linkage
	483516	Engine, Kawasaki 19hp	50	04001-04	Bolt, Hex Head 1/4-20 x 1-1/2"
2	04061-01	Cotter Pin, 3/32 x 1"	51	462012	Electric Clutch Assy.
3	04069-01	Pin, Rue Cotter 3/8" Dia.	52	04041-28	Flatwasher, 7/16-.469 x 1.75 x .25
4	04062-02	Hair Pin Cotter, .080 x 1.19"	53	04030-05	Lockwasher, 7/16" Spring
5	04019-03	Nut, Serrated Flange 5/16-18	54	04102-03	Bolt, Hex Head 7/16-20 x 2-1/4" Patch
6	44165	Rod, Brake Adjustment	55	483638	Pulley, 3-1/2" Dia.
7	43726	Joint, Swivel	56	482800-03	Fitting, Transmission
8	04021-08	Nut, Elastic Stop 1/4-20	57	43700	Spacer, Axle
9	04040-14	Flatwasher, 1/4-.312 x .750 x .065	58	481868	Rim w/Valve Stem
10	04017-07	Bolt, Serrated Flange 1/4-20 x 1-1/4"	59	04028-02	Wheel Nut, 1/2-20
11	451884	Weldment, Brake Lever	60	483390	Wheel Assy.
12	483504	Bearing		483389	Tire, 20 x 10-8 2-Ply
13	04040-15	Flatwasher, 5/16-.375 x .875 x .083	61	04001-46	Bolt, Hex Head 3/8-16 x 2-1/4"
14	04041-07	Flatwasher, 3/8-.391 x .938 x .105	62	424489	Bracket, Pusharm Link
15	04043-04	Flatwasher, 3/8-.391 x .938 x .105 HD	63	04001-49	Bolt, Hex Head 5/16-18 x 3"
16	04041-11	Flatwasher, 3/8-.406 x 1.5 x 7 ga.	64	HG52027	Clip, Brake Lever
17	04021-05	Nut, Center Lock 3/8-16	65	HG52639	Lever, Brake
18	04019-04	Nut, Serrated Flange 3/8-16	66	04001-32	Bolt, Hex Head 3/8-16 x 1-1/4"
19	483087	Spring, Transmission Idler	67	43701	Spacer, Axles
20	04021-09	Nut, Elastic Stop 3/8-16	68	04001-45	Bolt, Hex Head 3/8-16 x 2"
21	04003-31	Bolt, Carriage 3/8-16 x 3/4"	69	483339	Rod End, 3/8-24 UNF RH
22	04003-12	Bolt, Carriage 5/16-18 x 3/4"		04020-25	Nut, Jam 3/8-24 UNF RH
23	43715	Shaft Pivot, Idler Arm	70	483337	Linkage, Pump
24	483453-04	Bearing	71	483340	Rod End, 3/8-24 UNF LH
25	462004	Transmission Idler Arm Assy.		04020-26	Nut, Jam 3/8-24 UNF LH
26	43720	Spacer, Idler Pulley	72	483527	Transaxle Assy, LH (ZL-KCEF-3LKG-1EXX)
27	483514	Cap	73	483528	Transaxle Assy, RH (ZL-GCEF-3LKF-1EXX)
28	483438	Reservoir Assy.	74	HG51862	Fan
29	04063-31	Key, 1/4 x 1/4 x 1-3/4"	75	HG51523	Fan Washer
30	48136-05	Clamp, .87" Max Dia.	76	HG44133	Fan Nut
31	483431	Hose, RH Transmission	77	483314	Belt, Transmission Drive
32	483432	Hose, LH Transmission	78	04001-54	Bolt, Hex Head 3/8-16 x 3"
33	462001	Handle Bar Assy. w/Grip	79	482102	Grip, Brake Handle
	482340	Grip	80	462010	Brake Handle Assy.
34	04030-04	Lockwasher, 3/8" Spring	81	43722	Spacer, Brake Handle
35	424476	Support, Idler Arm	82	483453-05	Bearing
36	04001-19	Bolt, Hex Head 3/8-16 x 1"	83	483538	Spring, Brake
37	04001-49	Bolt, Hex Head 5/16-18 x 3"	84	04107-01	Bolt, Hex Head 3/8-16 x 1-1/4 Special Lock
38	04001-11	Bolt, Hex Head 5/16-18 x 1-1/2"	85	04110-03	U-Nut, 3/8-16
39	424498	Bar, Control Lever	86	44157	Rod, Brake Linkage
40	451912	Dump Valve Lever	87	462000	Handle Bar w/Grip
41	04021-10	Nut, Elastic Stop 5/16-18		482340	Grip
42	43602	Spacer, Pump Dampener	88	483320	Pulley, 4-1/2" Dia. 1" Bore
43	482794	Dampener	89	43719	Spacer, Linkage
44	462019	Control Linkage, LH			
45	462020	Control Linkage, RH			
46	43674	Spacer			
47	482070	Spring			
48	424639	Bracket, Dump Mounting			

### FUEL AND ELECTRICAL SYSTEM



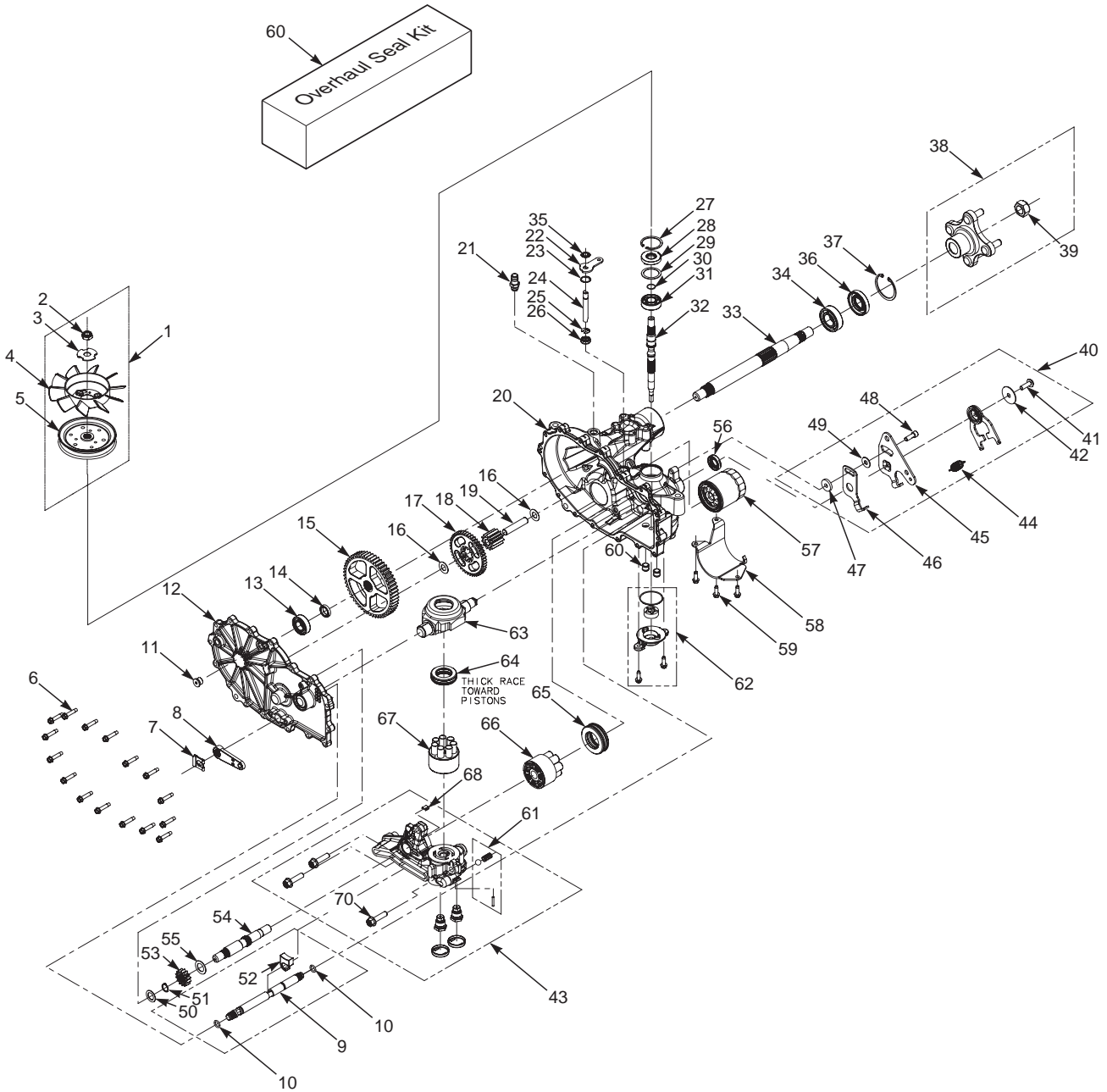
2008 SFZ ES

## FUEL AND ELECTRICAL SYSTEM

Ref. Part No. No.	Description	Ref. Part No. No.	Description
1	48298 Fuse, 20amp	30	483364 Tank, LH
2	483473 Switch	31	483434 Throttle Cable (Briggs & Stratton)
3	483621 Wire Harness, Main		483645 Throttle Cable (Kawasaki)
4	483474 Switch, Seat	32	462036 Instrument Panel w/Decal
5	483537 Hourmeter	33	483435 Choke Cable (Briggs & Stratton)
6	48029-13 Battery Cable, Red 25"		483646 Choke Cable (Kawasaki)
7	48029-11 Battery Cable, Black 27"	34	483472 Ignition Switch
8	04001-44 Bolt, Hex Head 1/4-20 x 1/2"	35	483366 Key, Ignition
9	04020-02 Nut, 1/4-20		462036 Key Assembly w/Fob
10	483555 Fuel Tube Assy.	36	483162 PTO Switch
11	48059-01 Clamp, Fuel Hose 1/4"ID	37	04001-08 Bolt, Hex Head 5/16-18 x 3/4"
12	483617 Fuel Hose , 1/4" ID Non-Perm. (order by inch)	38	04030-03 Lockwasher, 5/16" Spring
13	** Fuel Filter	39	04040-15 Flatwasher, 5/16-.375 x .875 x .083
14	483571 Cover, Sealed Double	40	04001-11 Bolt, Hex Head 5/16-18 x 1-1/2"
15	483629 Fuse Holder	41	04107-03 Bolt, Hex Head 3/8-16 x 1-1/4" Special Lock
16	48029-09 Battery Cable, Red 9"	42	04110-03 U-Nut, 3/8-16
17	04017-04 Bolt, Hex Head 1/4-20 x 1/2" Serrated Flange	43	462009 Fuel Tank Assy, RH
18	461996 Battery Cover (incl. items 19 & 20)	44	483536 Grommet
19	483452 Pad, Battery Hold Down	45	482571 Bushing, .56" Dia. Viton
20	483508 RubberPad	46	482588 Clip, Wire
21	483665 Battery (not avail. through Scag)	47	483642 Double Fuse Assy. (incl. items 2, 14, 15, 46)
22	483381 Muffler, Briggs & Stratton		
	483383 Muffler, Kawasaki		
23	** Exhaust Gasket		
24	** Lockwasher		
25	** Bolt		
26	482547 Cap, Fuel Tank		
27	483523 Fuel Gauge Assy.		
28	483278 Solenoid		
29	04011-13 Bolt, Self Tapping 1/4-20 x 3/4" Shakeproof		

\*\* Available through the individual engine manufacturer.

### ZT-2800 HYDRAULIC AXLE ASSEMBLY





### ZT-2800 HYDRAULIC AXLE ASSEMBLY

Ref. Part No. No.	Description	Ref. Part No. No.	Description		
1	HG70489	Kit, Fan & Pulley	39	HG50863	Nut, Hex Locking 3/4-16
2	HG51244	Nut, Hex Locking 1/2-20	40	HG71595	Kit, RTN Assembly
3	HG51523	Washer, Slotted	41	HG51812	Bolt, 5/16-24 x 1" Patch
4	HG51862	Fan, 7" Dia. (10 Blade)	42	HG51950	Washer, .343 x 1.5 x .062
5	HG52364	Pulley, Cupped 4-1/2" Dia.	43	HG71565	Kit, Center Section RH
	HG52366	Hub, Pulley		HG71566	Kit, Center Section LH
6	HG51190	Bolt, Hex Head 1/4-20 x 1-1/4"	44	HG51605	Spring
7	HG52027	Clip, Retaining	45	HG52682	Arm, Control
8	HG52639	Handle, Brake	46	HG51945	Arm, Neutral RH
9	HG52640	Shaft, Brake		HG51946	Arm, Neutral LH
10	HG51804	O-Ring	47	HG52527	Spacer, .320 x 1.005 x .179
11	HG9005110-5600	Plug, 9/16-18	48	HG51616	Bolt, 5/16-24 x 1" Patch
12	HG71572	Kit, Side Cover RH	49	HG44130	Washer, .34 x .88 x .06
	HG71574	Kit, Side Cover LH	50	HG44371	Washer, .63 x 1.0 x .05
13	HG44121	Bearing, Ball .75 x 40 x 12	51	HG44145	Ring, Retaining
14	HG52161	Spacer, .75 x 1.0 x .257	52	HG52641	Pawl, Brake
15	HG52108	Gear, 54T	53	HG52341	Gear, 14T Steel
16	HG50132	Washer, .5 x 1.0 x .03	54	HG52150	Shaft, Motor
17	HG52110	Gear, 45T	55	HG51069	Washer, .72 x 1.16 x .04
18	HG52586	Gear, 11T Steel	56	HG51140	Seal, Lip 18 x 32 x 7
19	HG51083	Jackshaft Pin	57	HG52114	Filter
20	HG71413	Kit, Housing RH	58	HG52257	Filter Guard
	HG71421	Kit, Housing LH	59	HG50752	Bolt, 1/4-20 x 3/4"
21	482800-03	Fitting	60	HG71410	Seal Kit
22	HG51329	Arm, Bypass	61	HG71436	Kit, Charge Relief
23	HG51627	Ring, Retaining .750 Internal	62	HG71411	Kit, Charge Pump
24	HG52136	Rod, Bypass	63	HG51048	Trunnion Swashplate
25	HG51628	Ring, Retaining .375 External	64	HG50551	Thrust Bearing
26	HG51626	Seal, Lip .375 x .75 x .25	65	HG51462	Thrust Bearing
27	HG50329	Ring, Retaining 2.06 Internal	66	HG71579	Kit, Motor Cylinder Block
28	HG51161	Seal, Lip 17 x 40 x 7	67	HG70723	Kit, Cylinder Block
29	HG50951	Washer, 1.23 x 1.56 x .04	68	HG71448	Plate, Bypass
30	HG2000022	Ring, Retaining Wire	69	HG71436	Kit, Charge Relief
31	HG50315	Bearing, Ball 17 x 40 x 12 Open	70	HG52137	Bolt, Hex Head 3/8-16 x 1-1/2" Patch
32	HG52155	Shaft, Input			
33	HG71569	Shaft Kit, Axle			
34	HG50771	Bearing, Ball 1.0 x 52 x 15 Open			
35	HG51630	Ring, Retaining .375 External			
36	HG50772	Seal, Lip 25 x 52 x 10 TC Gray			
37	HG50859	Ring, Retaining 2.06 Internal			
38	HG71405	Kit, Hub			
	HG71241	Hub, Puller (not shown)			

### REPLACEMENT DECALS AND INFORMATION PLATES

**WARNING**  
  
**INSTALL BELT COVER BEFORE OPERATING MACHINE**  
 READ OPERATOR'S MANUAL 483402 1

**WARNING**  
**DO NOT OPERATE WITHOUT DISCHARGE CHUTE, MULCHING KIT, OR ENTIRE GRASS CATCHER INSTALLED** 483405 2

**IMPORTANT**  
 Operation on slopes can be hazardous.  
 This machine was originally equipped with a Rollover Protection Device with a Roll Bar and Seat Belt.  
 See your dealer if either is missing or damaged. 483425 3

**DANGER**  
  
**SPINNING BLADES**  
**KEEP CLEAR**  
**BLADE CONTACT & THROWN OBJECTS CAN INJURE** 4

**FORWARD**  
  
**F**  
**REVERSE**  
  
**R** 5

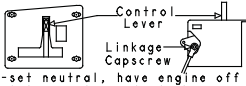
**WARNING**  
 Replace seat only with Scag approved seat with seat mounting provisions and Scag approved seat belts.  
 Failure to follow these directions could result in injury or death in the event of a rollover. 6


**48**  
**COMMERCIAL GRADE** 7

**WARNING**  
**ROTATING BLADES AND BELTS**  
 \* Keep hands, feet & clothing clear  
 \* Keep all guards in place  
 \* Shut off engine & disengage blade clutch before servicing  
 \* Use caution in directing discharge  
 \* Read instruction manual before operating  
**DO NOT OPERATE UNLESS GRASS CATCHER, MULCHING KIT OR DISCHARGE CHUTE IS INSTALLED** 8

**IMPORTANT ADJUSTMENT PROCEDURES**  
 READ OPERATORS MANUAL FOR MORE DETAILS  
 Check tire pressure - Drive tires-8 psi -  
 - Caster tires-25 psi

**FREE WHEEL OPERATION**  
 To move machine without running engine, pull both dump valve rods up and back (located at rear of machine) and latch. Pull rods forward and latch into front slot to operate mower.

**NEUTRAL ADJUSTMENT**  
  
 Control Lever  
 Linkage  
 Capscrew

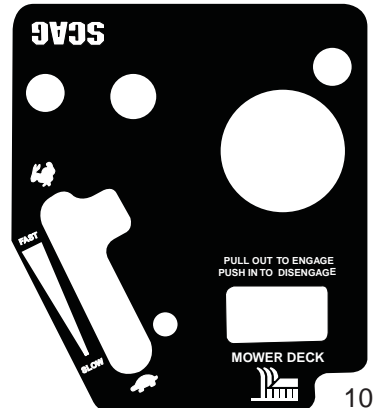
**TRACKING ADJUSTMENT**  
  
 Control Lever  
 Stop Bolt

If machine pulls to right, adjust LH control stop bolt CW (inward) to slow left wheel down. Adjust RH control stop bolt CW (inward) to slow right wheel down.

**HYDRAULIC FLUID LEVEL**  
 Check hydraulic fluid level while fluid is cool. Fluid level should be in sight window. Fill with 20W50 motor oil only.

**IMPORTANT**  
 Do not overfill. Room for hot fluid expansion must be allowed or resulting expansion may cause leaks in the system.

9



**SCAG FREEDOM Z** 11

**DECK LATCH RELEASE**

**FREEDOM Z**  
 Made in the USA by SCAG

**WARNING**  
 483467  
 Read the Operator's Manual for important information on safety. Solid state indicators on operator's manual.  
 \* If machine stops going uphill, stop blades and back down slowly. Avoid sudden turns.  
 \* Do not mow when children or other people are around.  
 \* Mower carry children even with blades off.  
 \* Always keep hand behind blade and never reach into deck.  
 \* Always use proper mowing techniques and working methods.  
 \* Remove objects that could be thrown by the blades.  
 \* Trained operators only.

**START/DRIVE PROCEDURE**  
 - Engage parking brake  
 - Disengage mower deck drive  
 - Move control handles to neutral position  
 - Start engine  
 - Release parking brake  
 - Select forward or reverse with hydro control levers

**METALCAST OF MICHIGAN**  
 MADE IN USA  
 15 MAYVILLE, MI 49759

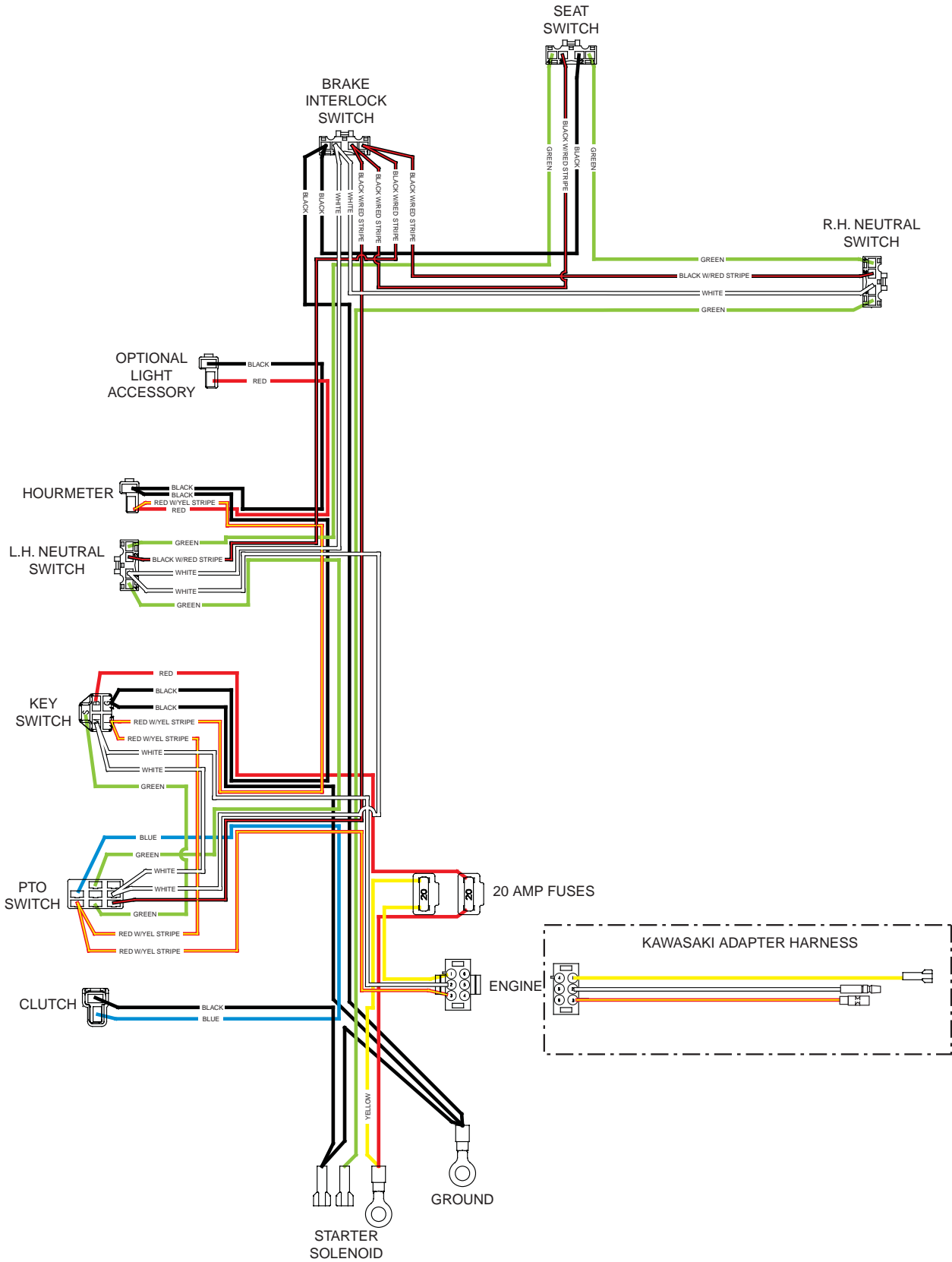
12

**REPLACEMENT DECALS AND INFORMATION PLATES**

<b>Ref. No.</b>	<b>Part No.</b>	<b>Description</b>
1	483402	Decal, Belt Cover
2	483405	Decal, Warning
3	483425	Decal, ROPS
4	483505	Decal, Spinning Blades
5	481568	Decal, Traction Control
6	483633	Decal, Seat Replacement
7	483494	Decal, 48 Commercial
	483495	Decal, 52 Commercial
8	483406	Decal, Knives
9	483632	Decal, Adjustment SFZ
	*483502	Decal, Adjustment SFZ
10	483499	Decal, Control Panel
11	483501	Decal, Front SFZ
12	483467	Decal, Cutting Height

\* Used on machines with a serial number in the following range only. D1500001 to D1500047.

### ELECTRICAL SCHEMATIC - FREEDOM Z



## Free Manuals Download Website

<http://myh66.com>

<http://usermanuals.us>

<http://www.somanuals.com>

<http://www.4manuals.cc>

<http://www.manual-lib.com>

<http://www.404manual.com>

<http://www.luxmanual.com>

<http://aubethermostatmanual.com>

Golf course search by state

<http://golfingnear.com>

Email search by domain

<http://emailbydomain.com>

Auto manuals search

<http://auto.somanuals.com>

TV manuals search

<http://tv.somanuals.com>