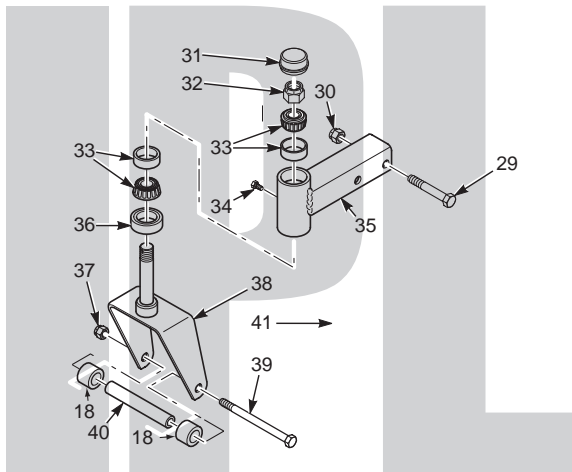


# SCAG<sup>®</sup>

## POWER EQUIPMENT



# ILLUSTRATED PARTS MANUAL



## Model STC Tiger Cat

**THIS MANUAL CONTAINS THE ILLUSTRATED PARTS LIST FOR MODELS:**

**STC48V-19KAI**

**STC48V-23CV**

**STC48V-25CV**

**STC48V-26BS**

**STC52V-25CV**

**STC52V-27CV-SS**

**STC61V-25CV**

**SMTC-48V**

**SMWC-52V**

**SMWC-61V**

with a serial number of **E4600001 to E4699999**

with a serial number of **E4700001 to E4799999**

with a serial number of **E9000001 to E9099999**

with a serial number of **E4800001 to E4899999**

with a serial number of **E4900001 to E4999999**

with a serial number of **E8900001 to E8999999**

with a serial number of **E5000001 to E5099999**

with a serial number of **D9100001 to D9199999**

with a serial number of **D9200001 to D9299999**

with a serial number of **D9300001 to D9399999**

© 2009

Scag Power Equipment

Division of Metalcraft of Mayville, Inc.

Part No. 06196 Rev 2

Printed 9/09

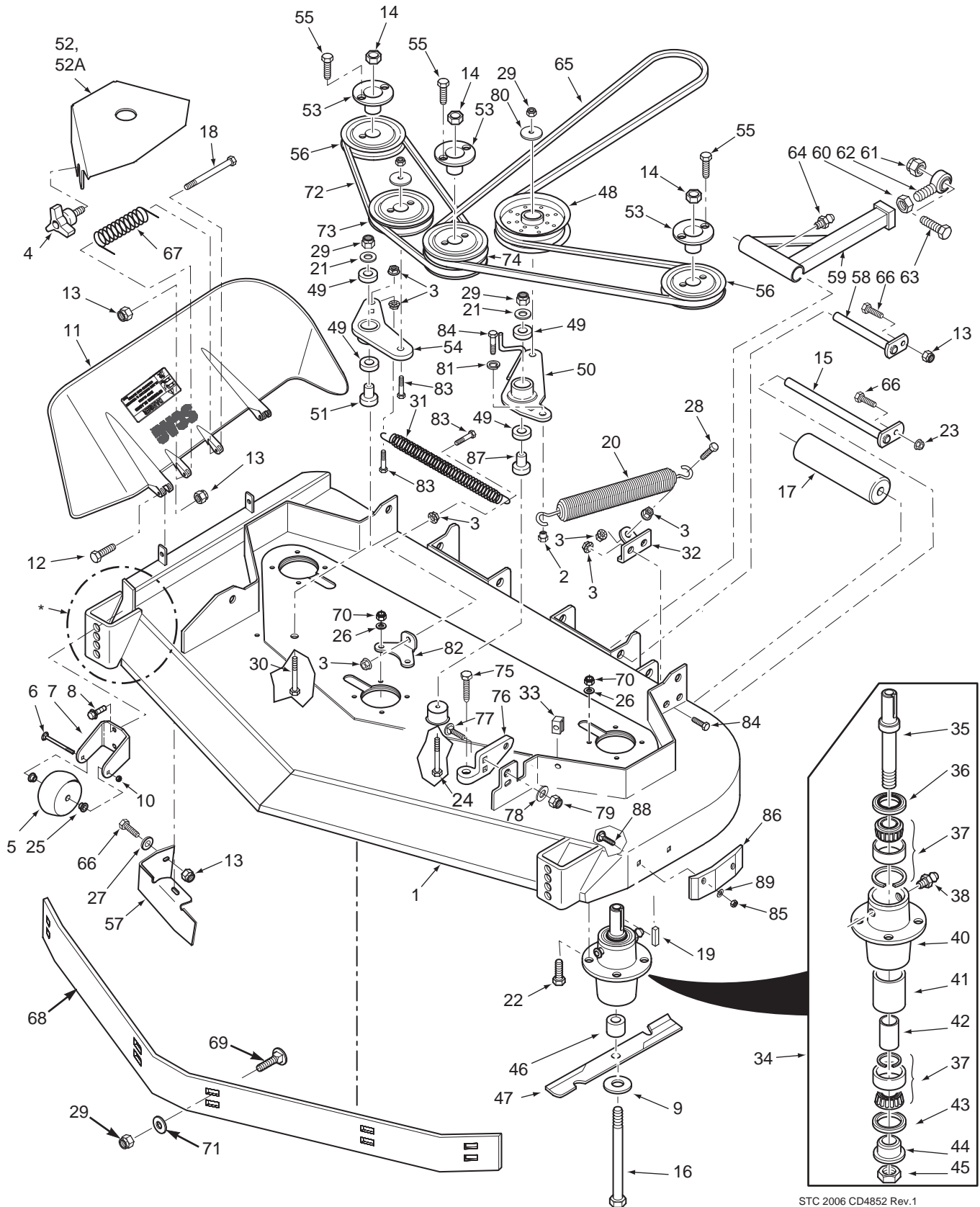
Printed in USA



## Table of Contents

48V & 52V CUTTER DECKS .....	2
61V CUTTER DECK .....	4
CUTTER DECK CONTROLS .....	6
SHEET METAL COMPONENTS .....	8
STC FOLDABLE ROLL-OVER PROTECTION SYSTEM .....	10
STC SUSPENSION SEAT .....	12
NOTES.....	13
DRIVE SYSTEM COMPONENTS .....	14
ENGINE & ATTACHING PARTS.....	16
STEERING COMPONENTS.....	18
BRAKE COMPONENTS .....	20
WHEEL MOTOR PART NUMBER IDENTIFICATION .....	22
NOTES.....	23
FUEL AND HYDRAULIC SYSTEM.....	24
ELECTRICAL SYSTEM .....	26
BDP-10A HYDRAULIC PUMP ASSEMBLY.....	28
REPLACEMENT DECALS AND INFORMATION PLATES .....	30
ELECTRICAL SCHEMATIC .....	32

### 48V & 52V CUTTER DECKS



STC 2006 CD4852 Rev.1

\* 52" cutter deck has a notch for anti-scalp roller

## 48V &amp; 52V CUTTER DECKS

Ref. No.	Part No.	Description	48	52	Ref. No.	Part No.	Description	48	52
1	461854	Cutter Deck Velocity Plus	X		51	43689	Idler Pivot	X	X
	461858	Cutter Deck Velocity Plus		X	52	424322	Belt Cover (48V)	X	
2	43686	Boss, Spring Anchor	X	X		424323	Belt Cover (52V)		X
3	04019-04	Nut, 3/8-16 Serrated Flange	X	X	53	48926	Hub, Tapered 1-1/8" Bore	X	X
4	481625-01	Wing Nut, 3/8-16	X	X	54	461946	Idler Arm	X	X
5	481632	Anti-Scalp Wheel	X	X	55	04001-172	Bolt, Hex Head 1/4-20 x 1" Grade 8	X	X
6	04003-26	Bolt, Carriage 3/8-16 x 4"	X	X	56	483282	Pulley 4.75"	X	
7	422478	Bracket, Anti-Scalp Wheel	X	X		483284	Pulley 5.35"		X
8	04017-27	Bolt, Serrated Flange 3/8-16 x 1"	X	X	57	424208	Turbo Baffle, Bolt On	X	X
9	04043-06	Flatwasher, 5/8" Hardened	X	X	58	451240	Push Arm Shaft	X	X
10	04021-05	Locknut, 3/8-16 Center Lock	X	X	59	461516	Push Arm (Includes 64,60,62)	X	X
11	461844	Discharge Chute	X		60	04020-16	Nut, 5/8-18 UNF	X	X
	461845	Discharge Chute		X	61	04021-13	Nut, Elastic Stop 5/8-11	X	X
12	04001-11	Bolt, Hex Head 5/16-18 x 1-1/2", Rear	X	X	62	48763	Rod End, 5/8 Male RH Thread	X	X
	04001-12	Bolt, Hex Head 5/16-18 x 1-3/4", Front	X	X	63	04001-79	Bolt, Hex Head 5/8-11 x 4-1/2"	X	X
13	04021-10	Nut, Elastic Stop 5/16-18	X	X	64	48114-04	Grease Fitting, 90 Degree	X	X
14	04020-09	Nut, 5/8-11 UNC	X	X	65	483241	Belt, Cutter Deck Drive (48V)	X	
15	45944	Shaft, Roller	X	X		483242	Belt, Cutter Deck Drive (52V)		X
16	04001-41	Bolt, Hex Head 5/8-11 x 9-1/2"	X	X	66	04001-09	Bolt, Hex Head 5/16-18 x 1"	X	X
17	48038	Roller, Rear	X	X	67	483378	Spring, Discharge Chute	X	X
18	04001-154	Bolt, Hex Head 5/16-18 x 4-3/4"	X	X	68	424839	Baffle Custom-Cut, 48V (7-Position)	X	
19	04063-08	Key, 1/4 x 1/4 x 2"	X	X		424840	Baffle Custom-Cut, 52V (7-Position)		X
20	483246	Spring, Idler LH	X	X	69	04003-23	Bolt, Carriage 3/8-16 x 1"	X	X
21	04043-04	Flatwasher, 3/8"	X	X	70	04021-22	Nut, Elastic Stop 5/16-18 Grade 8	X	X
22	04001-176	Bolt, Hex Head 5/16-18 x 1-3/4" Gr. 8	X	X	71	04043-04	Flatwasher 3/8"	X	X
23	04019-03	Nut, Serrated Flange 5/16-18	X	X	72	483239	Belt, RH Cutter Deck	X	X
24	04001-51	Bolt, Hex Head 3/8-16 x 3-3/4"	X	X		483240	Belt, RH Cutter Deck		
25	48100-15	Bushing, .376 ID Oilite	X	X	73	48181	Pulley, Idler 5" Dia.	X	X
26	04030-03	Lockwasher 5/16"	X	X	74	483283	Pulley, Double Groove	X	X
27	04040-15	Flatwasher 5/16"	X	X		483285	Pulley, Double Groove		
28	04001-136	Bolt, Hex Head 3/8-16 x 1-1/2" Gr. 8	X	X	75	483167	Bolt, Special	X	X
29	04021-09	Nut, Elastic Stop 3/8-16	X	X	76	461929	Lever Assy., Deck Level	X	X
30	04001-31	Bolt, Hex Head 3/8-16 x 2-1/2"	X	X	77	04003-40	Bolt, Carriage 7/16-14 x 1-1/4"	X	X
31	483247	Spring, Idler RH	X	X	78	04040-11	Flatwasher, 7/16-.500 x 1.25 x .083"	X	X
32	424369	Bracket, Spring Anchor LH 48V	X		79	04021-11	Nut, Elastic Stop 7/16-14	X	X
	424409	Bracket, Spring Anchor LH 52V		X	80	424367	Dust Shield	X	X
33	04110-03	U-Nut, 3/8-16	X	X	81	04030-03	Lockwasher 3/8"	X	X
34	461663	Spindle Assembly	X	X	82	424376	Bracket, Spring Anchor RH	X	X
35	43589	Shaft, Spindle	X	X		424377	Bracket, Spring Anchor RH		
36	481024	Seal Upper	X	X	83	04001-136	Bolt, Hex Head 3/8-16 x 1-1/2" Gr. 8	X	X
37	481022	Bearing Assembly	X	X	84	04001-19	Bolt, Hex Head 3/8-16 x 1"	X	X
38	48114-04	Grease Fitting	X	X	85	04021-04	Nut, Center Lock 5/16-18	X	X
39	48677	Valve, Grease Relief	X	X	86	483176	Wear Pad	X	X
40	43644	Housing, Spindle	X	X	87	43689	Idler Pivot	X	X
41	43312	Spacer, Outside	X	X	88	04003-12	Bolt, Carriage 5/16-18 x 3/4"	X	X
42	43296	Spacer, Inside	X	X	89	04040-04	Flatwasher, 5/16"	X	X
43	481025	Seal, Lower	X	X					X
44	43297	Bushing, Bottom	X	X					
45	481035	Nut, Special 1-1/16 - 18	X	X					
46	43590	Spacer, Spindle	X	X					
47	482877	Cutter Blade 16.5"	X						
	482878	Cutter Blade 18"		X					
48	483210	Pulley, Idler 5" Dia.	X	X					
49	48224	Bearing	X	X					
50	461940	Idler Arm Assy.	X	X					

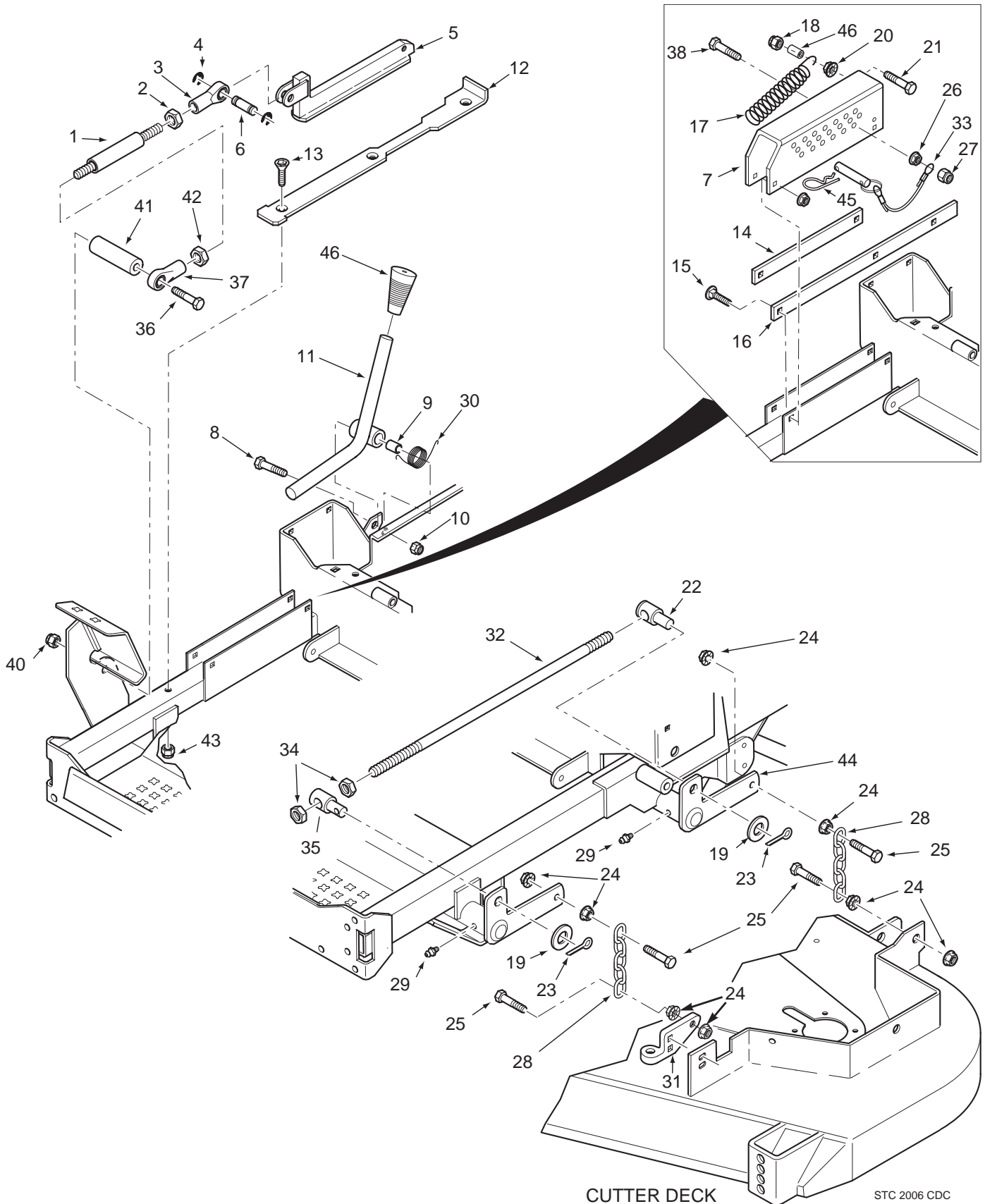


## 61V CUTTER DECK

Ref. No.	Part No.	Description
1	461862	Cutter Deck Velocity Plus
2	43687	Boss, Spring Anchor
3	424371	Bracket, LH Spring Anchor 61V
4	481625-01	Wing Nut, 3/8-16
5	481632	Anti-Scalp Wheel
6	04003-26	Bolt, Carriage 3/8-16 x 4"
7	422478	Bracket, Anti-Scalp Wheel
8	04017-27	Bolt, Serrated Flange 3/8-16 x 1"
9	04043-06	Flatwasher, 5/8" Hardened
10	04021-05	Locknut, 3/8-16 Center Lock
11	461846	Discharge Chute
12	04001-11	Bolt, Hex Head 5/16-18 x 1-1/2", Rear
	04001-12	Bolt, Hex Head 5/16-18 x 1-3/4", Front
13	04021-10	Nut, Elastic Stop 5/16-18
14	04020-09	Nut, 5/8-11 UNC
15	45944	Shaft, Roller
16	04001-41	Bolt, Hex Head 5/8-11 x 9-1/2"
17	48038	Roller, Rear
18	04001-154	Bolt, Hex Head 5/16-18 x 4-3/4"
19	04063-08	Key, 1/4 x 1/4 x 2"
20	483246	Spring, LH Deck Drive
21	04043-04	Flatwasher, 3/8" - .938 x .391 x .105"
22	04001-176	Bolt, Hex Head 5/16-18 x 1-3/4" Grade 8
23	04019-03	Nut, Serrated Flange 5/16-18
24	04001-172	Bolt, Hex Head 1/4-20 x 1" Grade 8
25	48100-15	Bushing, .376 ID Oilite
26	04030-03	Lockwasher 5/16"
27	04040-15	Flatwasher 5/16"
28	483703	Spring, RH Deck Drive
29	04021-09	Nut, Elastic Stop 3/8-16
30	461940	Idler Arm Assembly, LH Drive
31	461946	Idler Arm Assembly, RH Drive
32	483286	Pulley, Tapered Bore 6.33" Dia.
33	04110-03	U-Nut, 3/8-16
34	461663	Spindle Assembly
35	43589	Shaft, Spindle
36	481024	Seal Upper
37	481022	Bearing Assembly
38	48114-04	Grease Fitting
39	48677	Valve, Grease Relief
40	43644	Housing, Spindle
41	43312	Spacer, Outside
42	43296	Spacer, Inside
43	481025	Seal, Lower
44	43297	Bushing, Bottom
45	481035	Nut, Special 1-1/16 - 18
46	43590	Spacer, Spindle
47	482879	Cutter Blade 21"
48	483287	Pulley, Double Groove 6.33" Dia.
49	424367	Dust Shield
50	483210	Idler Pulley, 5" Dia.

Ref. No.	Part No.	Description
51	48181	Idler Pulley, 5" Dia.
52	424575	Belt Cover (61V)
53	48926	Hub, Tapered 1-1/8" Bore
54	483415	Idler Pulley, 3-1/2" Dia.
55	43689	Pivot, Idler
56	48224	Bearing
57	424209	Turbo Baffle, Bolt On
58	451240	Push Arm Shaft
59	461516	Push Arm (Includes 64,60,62)
60	04020-16	Nut, 5/8-18 UNF
61	04021-13	Nut, Elastic Stop 5/8-11
62	48763	Rod End, 5/8 Male RH Thread
63	04001-79	Bolt, Hex Head 5/8-11 x 4-1/2"
64	48114-04	Grease Fitting, 90 Degree
65	483243	Belt, Deck Drive 61V
66	04001-09	Bolt, Hex Head 5/16-18 x 1"
67	483185	Spring, Discharge Chute
68	424841	Baffle Custom-Cut, 61V (7-Position)
69	04003-23	Bolt, Carriage 3/8-16 x 1"
70	04041-07	Flatwasher, 3/8-.391 x .938 x .105"
71	04001-77	Bolt, Hex Head 3/8-16 X 3-1/2"
72	483157	Belt, Deck Drive RH
73	482295	Wheel, Anti Scalp
74	45944	Roller Shaft
75	483167	Bolt, Special
76	04003-40	Bolt, Carriage 7/16-14 x 1-1/4"
77	461929	Lever Assy., Deck Level
78	04001-136	Bolt, Hex Head 3/8-16 x 1-1/2" Gr.8
79	04001-19	Bolt, Hex Head 3/8-16 x 1"
80	04019-04	Nut, Serrated Flange 3/8-16
81	04030-04	Lockwasher, 5/16"
82	43689	Pivot, Idler Short
83	04003-12	Bolt, Carr. 5/16-18 x 3/4"
84	483176	Wear Pad
85	04040-04	Flatwasher, 5/16-.344 x .688 x .065"
86	04021-04	Nut, Center Lock 5/16"
87	04001-19	Bolt, Hex Head 3/8-16 x 1"
88	04001-31	Bolt, Hex Head 3/8-16 x 2-1/2"
89	04021-11	Nut, Elastic Stop 7/16-14
90	04040-11	Flatwasher, 7/16-.500 x 1.250 x .083"
91	04001-46	Bolt, Hex Head 3/8-16 x 2-1/4"
92	04001-54	Bolt, Hex Head 3/8-16 x 3"
93	04021-09	Nut, Elastic Stop 3/8-16
94	483287	Pulley, Double Groove 6.33" Dia.

### CUTTER DECK CONTROLS



CUTTER DECK

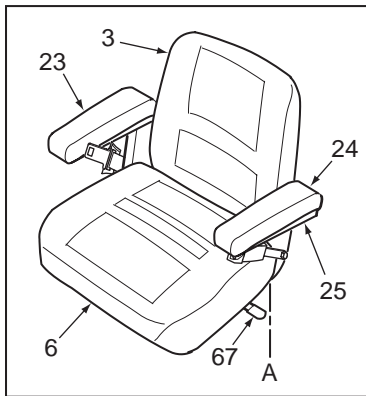
STC 2006 CDC



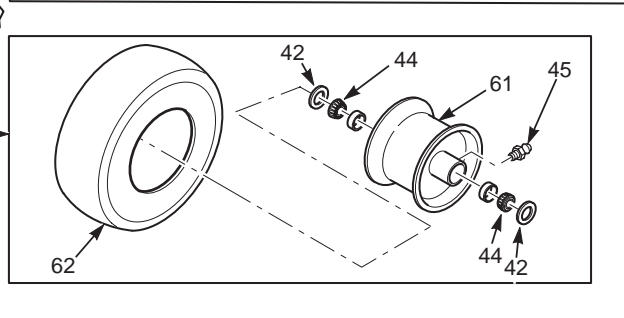
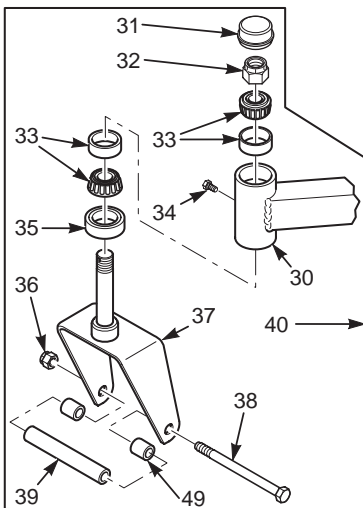
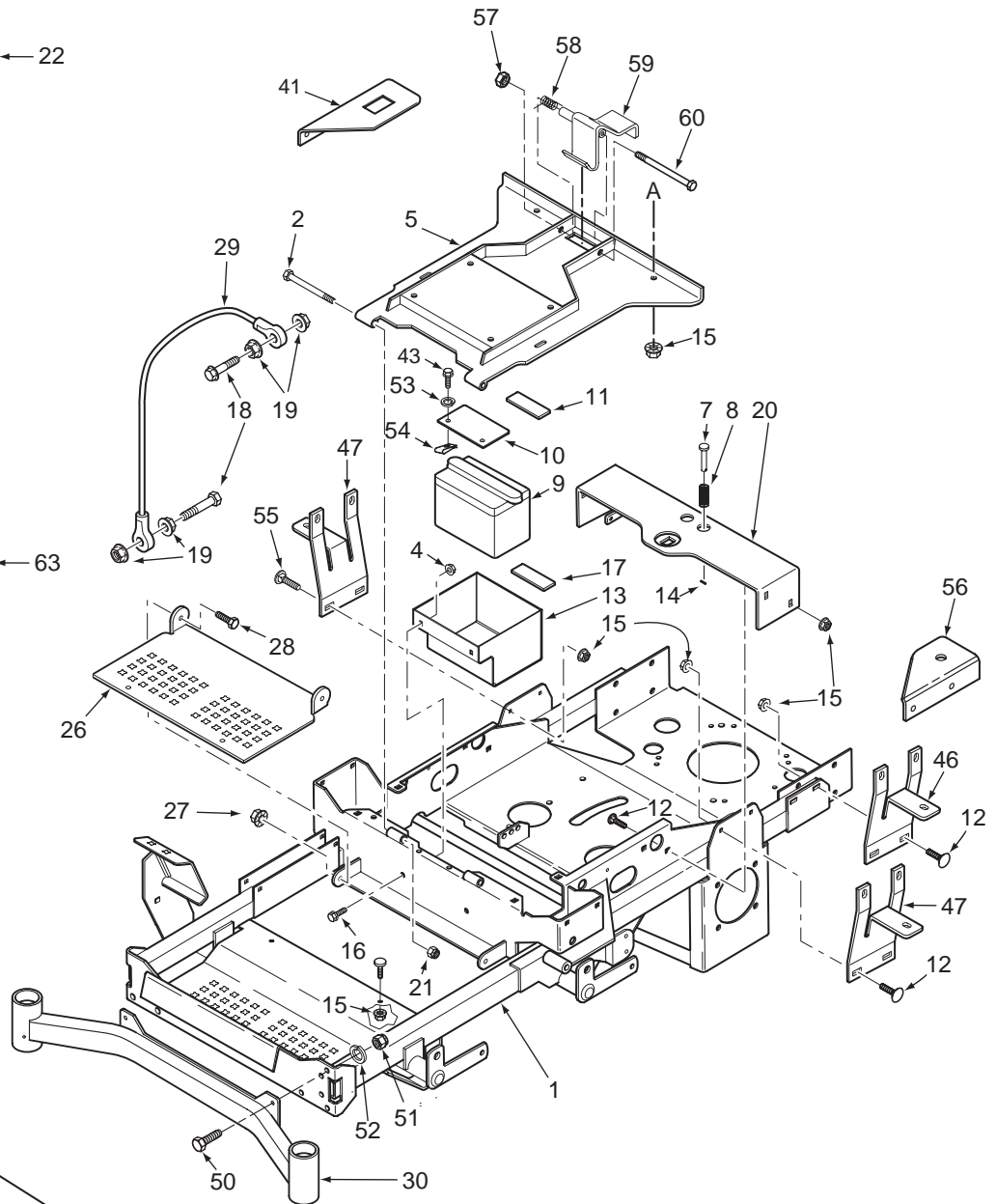
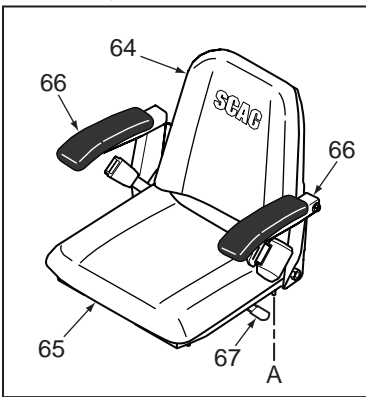
## CUTTER DECK CONTROLS

Ref. No.	Part No.	Description
1	482624	Rod, Deck Lift Linkage
2	04020-28	Nut, Jam 1/2-20 LH Thread
3	481766	Rod End, 1/2-20 Female Thread
4	04050-10	Retaining Ring, 1/2" External "E"
5	483062	Slide, Deck Height Adjust
6	43487	Pin, Deck Lift
7	423463	Bracket, Cutting Height Adjustment
8	04001-22	Bolt, Hex Head 3/8-16 x 2-3/4"
9	43668	Bushing .502" OD
10	04021-09	Nut, Elastic Stop 3/8-16
11	461874	Lever, Deck Latch
12	422346	Slide, Cutting Height
13	04014-03	Screw, Cap 5/16-18 x 3" FHHS
14	422381	Guide, Short
15	04003-04	Bolt, Carriage 5/16-18 x 1"
16	422380	Guide, Long
17	483177	Spring, Helper
18	04021-05	Nut, 3/8-16 Center Lock
19	04040-09	Flatwasher, 5/8-.656 x 1.312 x .095"
20	04019-04	Nut, 3/8-16 Serr. Flange
21	04001-32	Bolt, Hex Head 3/8-16 x 1-1/4"
22	43678	Swivel Joint LH
23	04061-07	Cotter Pin, 3/16 x 1"
24	04019-04	Nut, Serr. Flange 3/8-16
25	04001-20	Bolt, Hex Head 3/8-16 x 1-1/2"
26	04019-04	Nut, Serr. Flange 3/8-16
27	04021-09	Nut, Elastic Stop 3/8-16
28	48540	Chain
29	48114-04	Grease Fitting, 1/4-28 Self Tap
30	483181	Torsion Spring
31	461929	Lever Assy., Deck Level
32	04004-45	Stud, 1/2-13 x 20"
33	04067-09	Pin
	481547	Lanyard
34	04020-09	Nut, 5/8-11 UNC
35	43679	Swivel Joint RH
36	04001-155	Bolt, Hex Head 1/2-13 x 5"
37	481765	Rod End, 1/2-20 Female RH Thread
38	04001-77	Bolt, Hex Head 3/8-16 x 3-1/2"
39	43572	Spacer
40	04021-02	Locknut, 1/4-20
41	43630	Spacer
42	04020-27	Nut, 1/2-20 UNF-2B
43	04021-10	Nut, Elastic Stop 5/16-18
44	45904	Lift Bellcrank Weldment, LH Rear
	45905	Lift Bellcrank Weldment, RH Rear
	04041-14	Flatwasher, 1.0-1.062 x 1.5 x .048"
	04050-08	Retaining Ring, 1" ext.
45	04062-04	Hair Pin Cotter, .177 x 3-1/4"
46	481477	Grip, Deck Latch Lever

### SHEET METAL COMPONENTS



Seat Assy. With Black Arm Rest



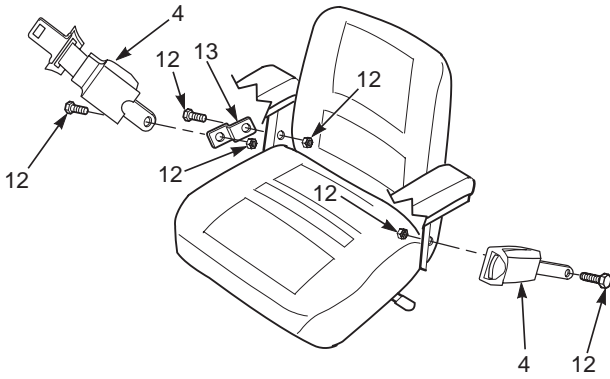
STC 2008 BSMC

## SHEET METAL COMPONENTS

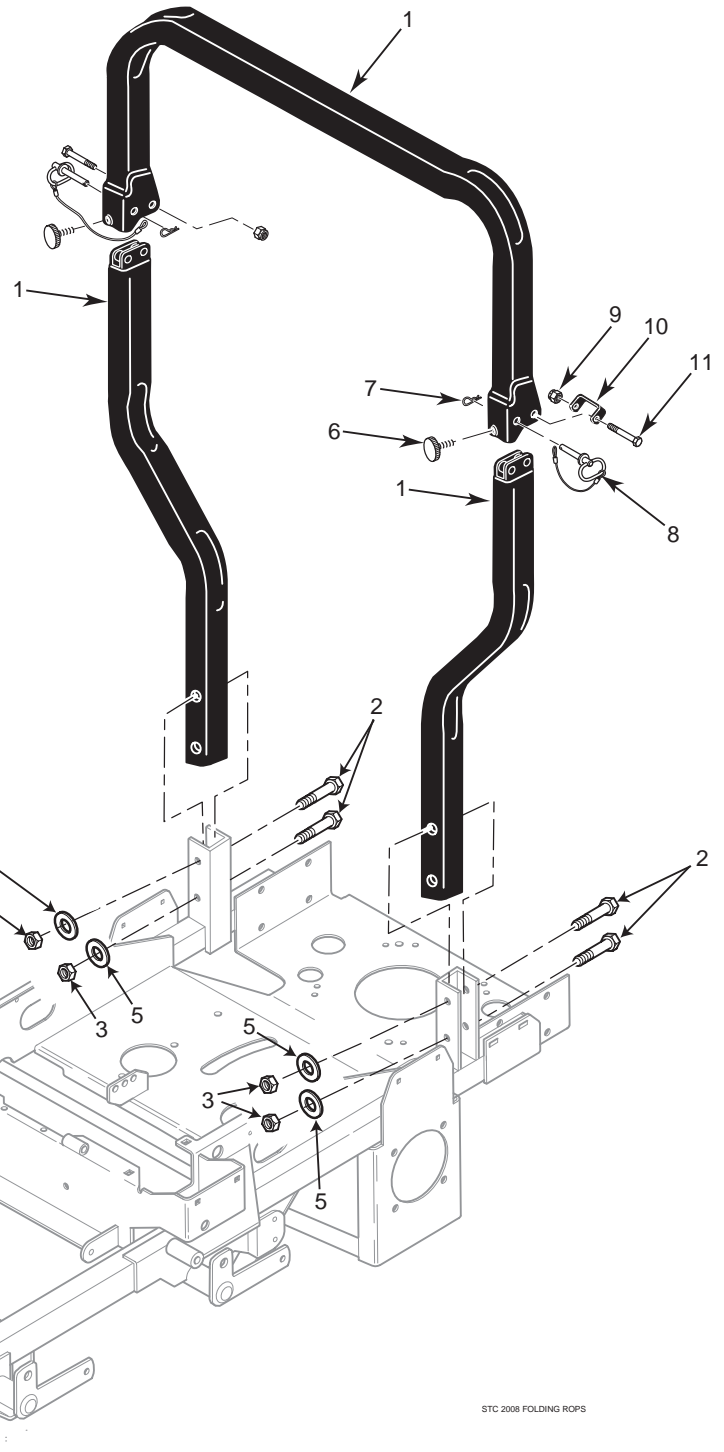
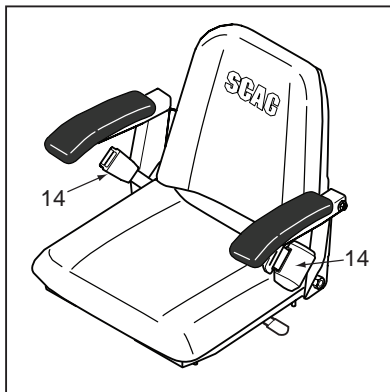
Ref. No.	Part No.	Description
1	461918	Main Frame Assembly w/decals
2	04001-73	Bolt, Hex Head 5/16-18 x 3-3/4"
3	482632	Cushion, Back
4	04019-04	Nut, Serr. Flange 3/8-16
5	461989	Plate, Seat Mounting w/decals
6	482111	Cushion, Lower Seat
7	43462	Pin Retainer, Spring
8	481389	Spring
9	**	Battery (not available through Scag)
10	423571	Battery Cover
11	482553	Battery Hold Down Pad
12	04003-12	Bolt, Carr. 5/16-18 x 3/4"
13	423556	Battery Box
14	04060-01	Roll Pin, Spring 5/32 x 3/4"
15	04019-03	Nut, Serr. Flange 5/16-18
16	04001-19	Bolt, Hex Head 3/8-16 x 1"
17	482552	Pad, Rubber
18	04001-59	Bolt, Hex Head 1/4-20 x 1-1/4"
19	04019-02	Nut, Serr. Flange 1/4-20
20	451896	Seat Base Support
21	04021-10	Nut, Elastic Stop 5/16-18
22	483385	Seat Assembly w/ adj. rails
23	482108	Arm Pad, RH
	482110	Bracket, Armrest RH
24	482107	Arm Pad, LH
	482109	Bracket, Armrest LH
25	482183	Channel, Armrest
26	423557	Footplate
27	04021-09	Nut, Elastic Stop 3/8-16
28	04001-19	Bolt, Hex Head 3/8-16 x 1"
29	48566	Cable, Seat Stop
30	451826	Weldment, Caster Support (48" & 52")
	451827	Weldment, Caster Support (61")
31	481559	Cap, Grease
32	04021-20	Nut, Elastic Stop 1.0"-14
33	48668	Bearing Set
34	482028-01	Plug, 1/4-28
35	481025	Seal, 2.0" OD x 1.625" ID
36	04021-07	Nut, Elastic Stop 1/2-13
37	451471	Yoke, Front Caster Wheel
	451658	Yoke, Front Caster Wheel (61")
38	04001-134	Bolt, Hex Head 1/2-13 x 7-1/2"
	04001-167	Bolt, Hex Head 1/2-13 x 9-1/2" (61")
39	43581	Sleeve - 48" & 52"
	43583	Sleeve - 61"
40	482503	Caster Wheel Assembly
	482504	Caster Wheel Assembly (61")

Ref. No.	Part No.	Description
41	424112	Bracket, Hour Meter
42	482622	Seal
43	04001-32	Bolt, Hex Head 3/8-16 x 1-1/4"
44	482621	Roller Bearing
45	48114-04	Fitting, Grease
46	423575	Mounting Bracket, Oil Tank
47	423764	Mounting Bracket, Fuel Tank
48	482633	Seat Pan
49	43584	Spacer, Caster Wheel
50	04001-28	Bolt, Hex Head 7/16-14 x 1-1/4"
51	04021-11	Nut, Elastic Stop 7/16-14
52	04030-05	Lockwasher, 7/16"
53	04030-04	Lockwasher, 3/8" Spring
54	04110-03	U-Nut, 3/8-16
55	04003-04	Bolt, Carriage 5/16-18 x 1"
56	423912	Bracket, Fuel Valve
57	04021-05	Locknut, 3/8-16 Center Lock
58	483371	Spring, Seat Latch
59	451897	Seat Latch Weldment
60	04001-100	Bolt, Hex Head 3/8-16 x 6"
61	482625	Rim 48" & 52" (Includes Item 45)
	482620	Rim 61" (Includes Item 45)
62	481613	Tire, 13 x 5.0-6 Smooth (48" & 52")
	482619	Tire, 13 x 6.5-6 Smooth (61")
63	483736	Seat Assembly w/Adjustable Rails
64	483544	Cushion, Back
65	483545	Cushion, Lower Seat
66	483549	Armrest Kit
67	482635	Seat Adjustment Track Set

### STC FOLDABLE ROLL-OVER PROTECTION SYSTEM



Seat Assy. With Black Arm Rest

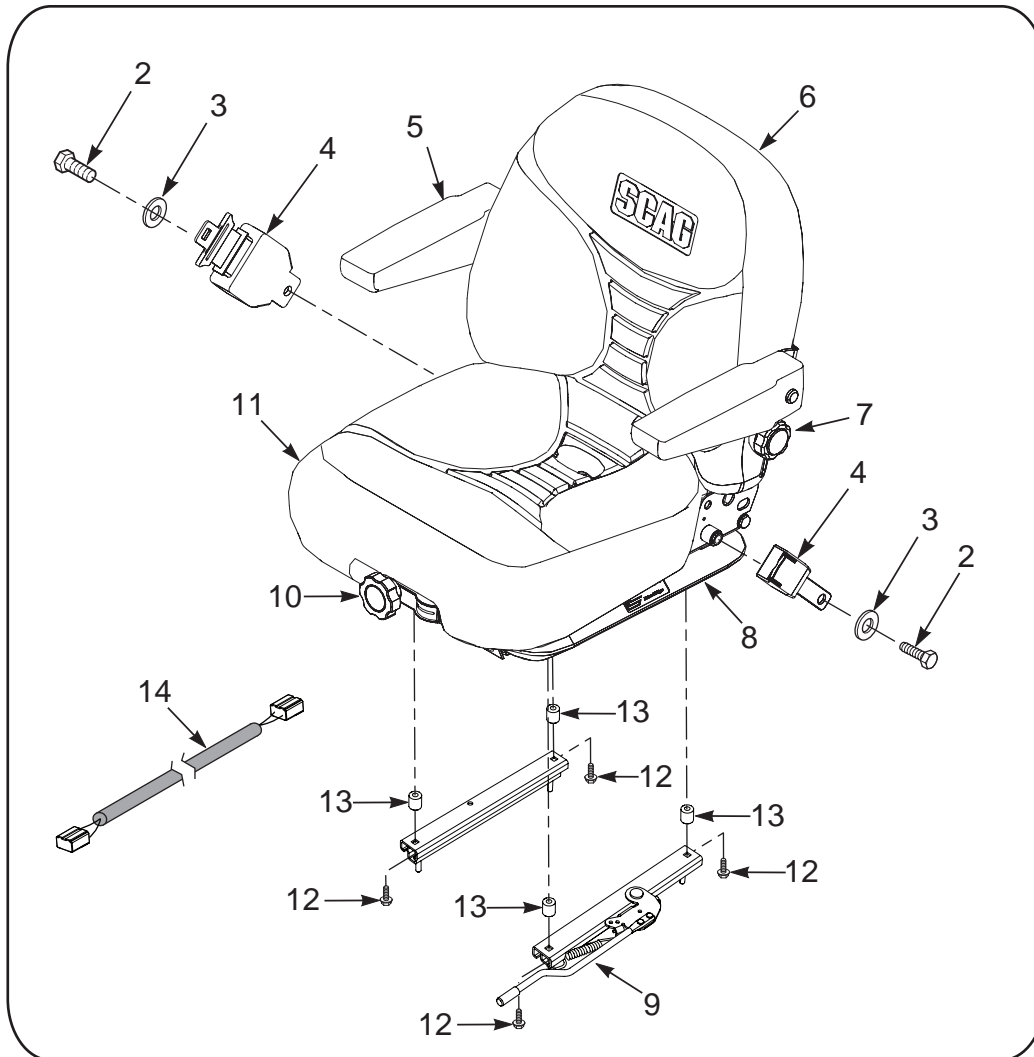


STC 2008 FOLDING ROPS

## STC FOLDABLE ROLL-OVER PROTECTION SYSTEM

Ref. No.	Part No.	Description
1	9512	STC Foldable ROPS Accessory (incl. all items listed)
2	04001-145	Bolt, Hex Head 1/2-13 x 3-1/2"
3	04021-19	Nut, Center Lock 1/2-13
4	483412	Retractable Seat Belt
5	04040-13	Flatwasher, 1/2-.562 x 1.375 x .109"
6	481625-03	Thumb Screw, 5/16-18 NC x 3/4"
7	04062-06	Hair Pin, Cotter
8	483262	Pin
9	04021-19	Nut, Center Lock 1/2-13
10	424407	Bracket, Stop
11	04001-145	Bolt, Hex Head 1/2-13 x 3-1/2"
12	461990	Seat Hardware Kit, STC
13	483451	Bracket
14	483412	Retractable Seat Belt (Seat with Black Armrest)
	461990	Hardware Package, Seat Belt Mounting

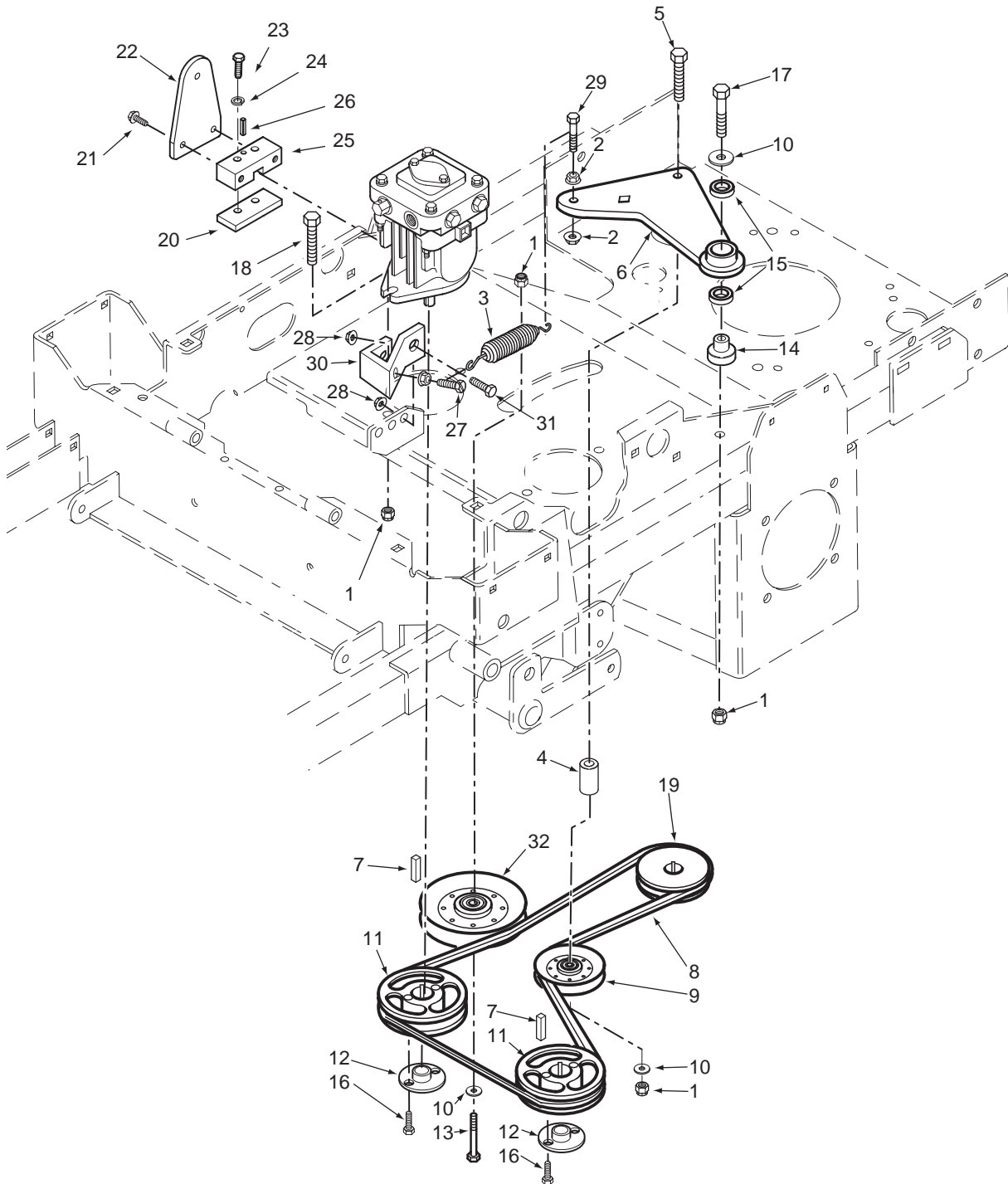
### STC SUSPENSION SEAT



Ref. No.	Part No.	Description
1	9292	Suspension Seat Assembly w/seat belt
2	04001-178	Bolt, Hex Head 7/16-20 x 1"
3	04040-11	Flatwasher, 7/16-.500 x 1.25 x .083
4	483594	Retractable Seat Belt
5	482950	Armrest Only
	482945	Armrest Assembly Kit, LH
	482946	Armrest Assembly Kit, RH
6	482940	Back Cushion Kit
7	482943	Lumbar Kit
	482948	Knob Kit
8	482942	Shock Absorber Kit
9	482952	Seat Adjustment, Track Set
10	482944	Weight Adjustment Kit
	482948	Knob Kit
11	482941	Seat Cushion Kit
		Seat Drain Kit (Included with Seat Cushion)
12	04001-12	Bolt, Hex Head 5/16-18 x 1-3/4"
13	43572	Spacer
14	483440	Wire Harness Adapter

NOTES

### DRIVE SYSTEM COMPONENTS

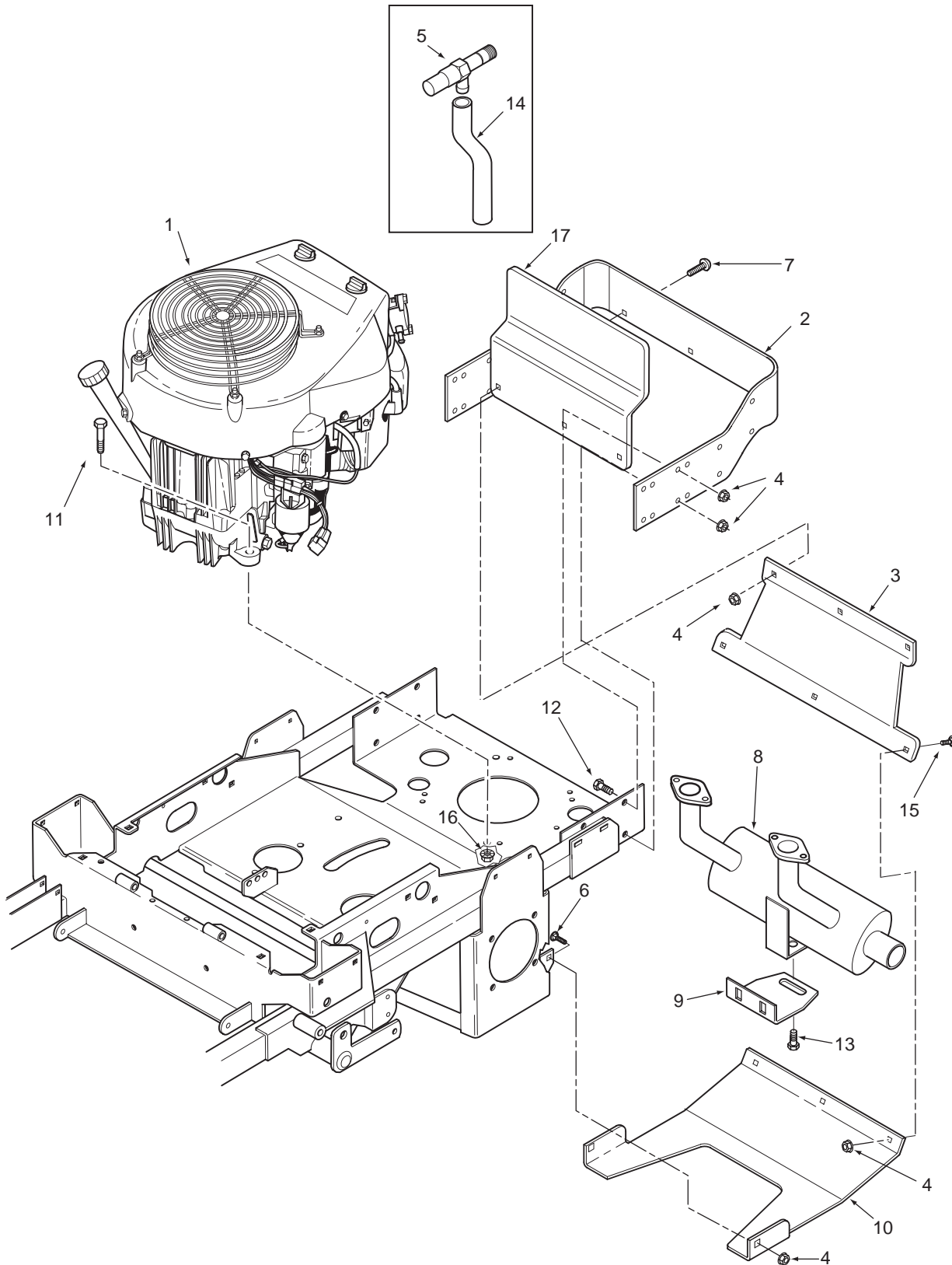




## DRIVE SYSTEM COMPONENTS

Ref. No.	Part No.	Description
1	04021-09	Nut, Elastic Stop 3/8-16
2	04019-04	Nut, Serrated Flange 3/8-16
3	483087	Spring, Pump Idler
4	43286	Spacer
5	04001-22	Bolt, Hex Head 3/8-16 x 2-3/4"
6	461603	Idler Arm Assy., Pump Drive
7	04063-14	Key, 5 x 5 x 25mm
8	483172	Belt, Transmission
9	483415	Pulley, 3-1/2" Dia. Idler
10	04043-04	Flatwasher, 3/8-.391 x .938 x .105"
11	482744	Pulley, 5.75" OD Taper Bore
12	482085	Hub, Tapered, 15mm Bore
13	04001-45	Bolt, 3/8-16 x 2"
14	43503	Pivot, Idler
15	48224	Bearing
16	04001-172	Bolt, Hex Head 1/4-20 x 1" Grade 8
17	04001-31	Bolt, Hex Head 3/8-16 x 2-1/2"
18	04001-20	Bolt, Hex Head 3/8-16 x 1-1/2"
19	483081	Pulley, 5.75" Dia. - 1.125" Bore
20	421203	Clamp Plate
21	04017-05	Hex Head Capscrew, 1/4-20 x 3/4"
22	422969	Control Lever, Pump
23	04017-05	Hex Head Capscrew, 1/4-20 x 3/4"
24	04030-02	Lockwasher, 1/4"
25	48829	Block, Pump Control
26	04060-06	Roll Pin
27	04001-136	Bolt, Hex Head 3/8-16 x 1-1/2" Grade 8
28	04019-04	Nut, Serr. Flange 3/8-16
29	04001-136	Bolt, Hex Head 3/8-16 x 1-1/2" Grade 8
30	424137	Bracket
31	04001-19	Bolt, Hex Head 3/8-16 x 1"
32	483215	Pulley, 5" Dia. Idler

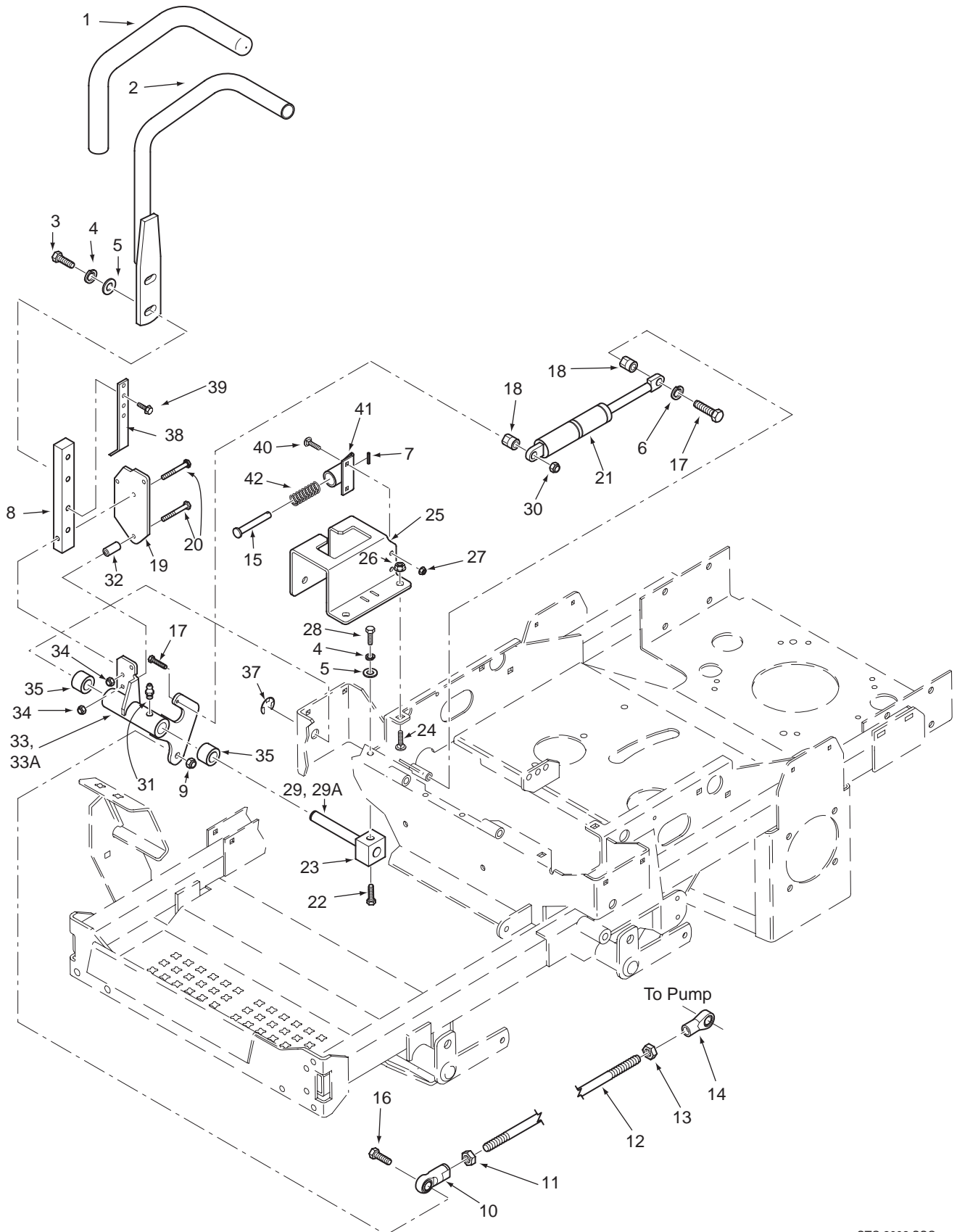
### ENGINE & ATTACHING PARTS



## ENGINE &amp; ATTACHING PARTS

Ref. No.	Part No.	Description
1	482932	Engine, Kawasaki 19hp KAI
	483875	Engine, Briggs & Stratton 26hp ELS
	483281	Engine, Kohler Command 23hp
	483685	Engine, Kohler Command 25hp
	482900	Engine, Kohler Command 27hp
2	423770	Bumper, Rear
3	424107	Shield, Rear (48" & 52")
	41031	Weight, Rear Shield ( 61" Only)
4	04019-04	Nut, Serr. Flange 3/8-16
5	482510	Extension, Oil Drain 3.3"
	482349	Extension, Oil Drain 4" (Kohler)
6	04003-23	Bolt, Carr. 3/8-16 x 1"
7	04104-01	Bolt, 3/8-16 x 1" Torx
8	483288	Muffler (Briggs & Stratton)
	483266	Muffler (Kohler)
	483102	Muffler (Kawasaki)
9	424133	Bracket, Muffler
10	423555	Plate, Skid
11	04001-11	Bolt, Hex Head 5/16-18 x 1-1/2"
12	04001-19	Bolt, Hex Head 3/8-16 x 1"
13	04011-12	Screw, Hex Head 5/16-18 x 3/4" Self Tap
14	483280-01	Tubing, Oil Drain 1/2" x 8"
15	04003-31	Bolt, Carr. 3/8-16 x 3/4"
16	04019-03	Nut, Serr. Flange 5/16-18
17	424415	Guard, Carb Inlet (STC48V-26BS Only)

### STEERING COMPONENTS



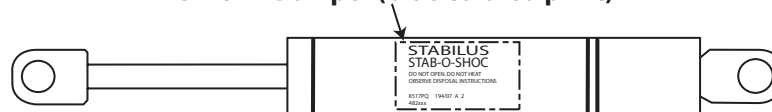
### STEERING COMPONENTS

Ref. No.	Part No.	Description
1	482340	Grip, Control Lever
2	461386	Handle Bar (Includes item 1)
3	04001-32	Bolt, Hex Head 3/8-16 x 1-1/4"
4	04030-04	Lockwasher, 3/8"
5	04041-07	Flatwasher, 3/8-.391 x .938 x .105"
6	04040-15	Flatwasher, 5/16-.375 x .875 x .083"
7	04060-01	Roll Pin, Spring 5/32 x 3/4"
8	422372	Bar, Control Lever
9	04021-09	Nut, Elastic Stop 3/8-16
10	482330	Rod End, 3/8-24 RH Female
11	04020-14	Nut, 3/8-24 RH Thread
12	482623	Rod, Pump Control Linkage
13	04020-17	Nut, 3/8-24 UNF-2B LH Thread
14	482331	Rod End, 3/8-24 LH Thread
15	43477	Pin Retainer
16	04001-20	Bolt, Hex Head 3/8-16 x 1-1/2"
17	04001-12	Bolt, Hex Head 5/16-18 x 1-3/4"
18	43602	Spacer, Pump Dampener
19	423599	Plate, Control Lever
20	04001-17	Bolt, Hex Head 5/16-18 x 2"
21	*482452	Gas Damper
	*482794	Gas Damper
22	04001-19	Bolt, Hex Head 3/8-16 x 1"
23	482099	Block, Clamping
24	04003-12	Bolt, Carriage, 5/16-18 x 3/4"
25	461770	Control Plate - LH (Includes Decal)
	461771	Control Plate - RH (Includes Decal)
26	04019-03	Nut, Serr., Flange, 5/16-18
27	04021-08	Nut, Elastic Stop 1/4-20
28	04001-18	Bolt, Hex Head 3/8-16 x 3/4"
29	43616	Shaft, Steering Control
30	04021-10	Nut, Elastic Stop 5/16-18
31	48114-04	Grease Fitting, 1/4-28 Self Tap
32	43559	Spacer, Control
33	49574	Control Lever Assy RH (Includes 31 & 35)
	49573	Control Lever Assy LH (Includes 31 & 35)
34	04021-10	Nut, Elastic Stop 5/16-18
35	48100-06	Bushing
36	04041-08	Flatwasher, 1-1/4 x 49/64 x 16 Ga.
37	04050-02	Retaining Ring, 3/4" Ext.
38	423057	Bracket, Switch Actuator
39	04017-16	Bolt, Hex Serr. Flange 5/16-18 x 3/4"
40	04003-02	Bolt, Carr. 1/4-20 x 3/4"
41	45918	Bracket, Control Return
42	481389	Spring
43	43477	Pin Retainer

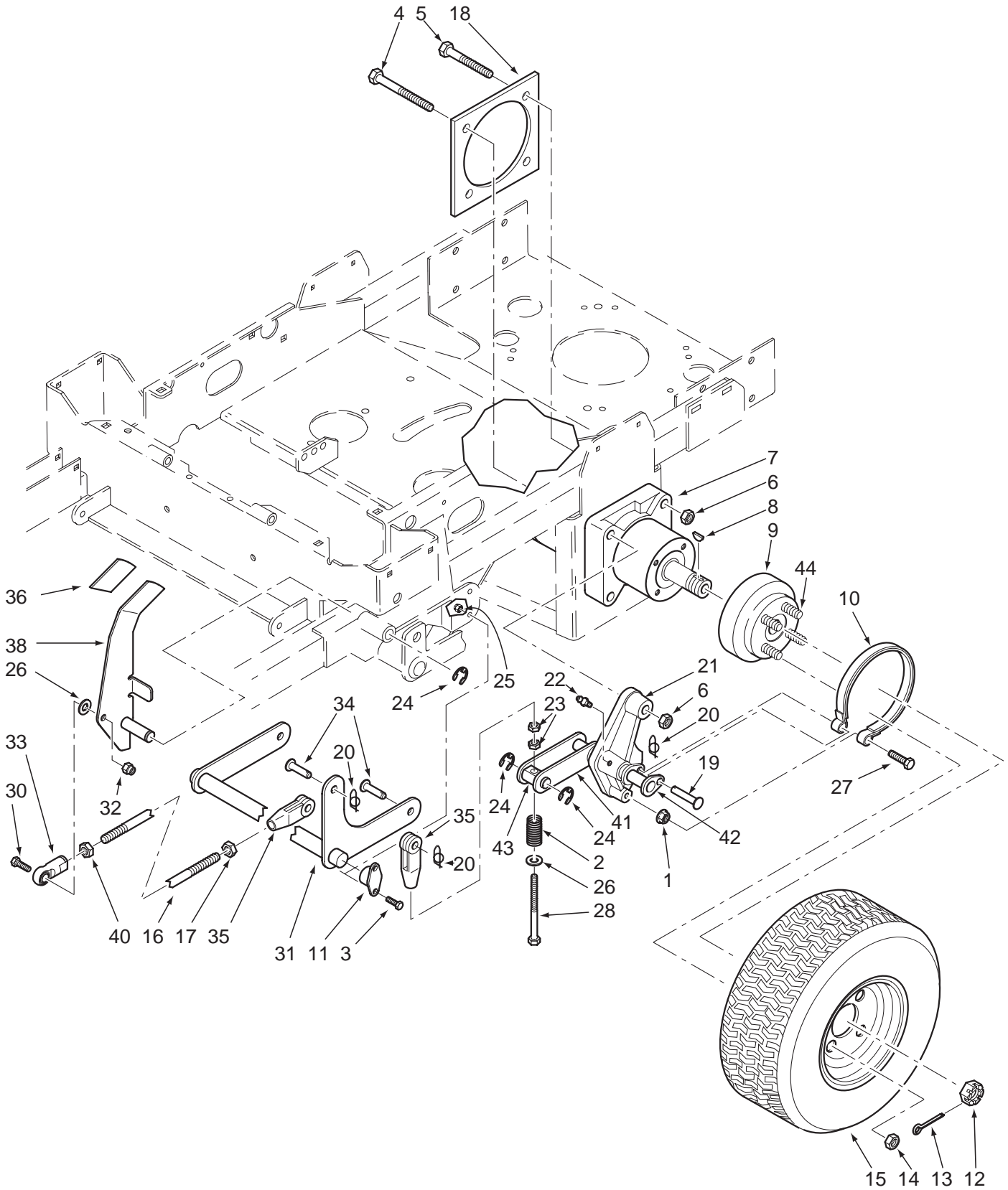
\* Identify the Gas Damper installed using the colored print and part number labeled on the Gas Damper. See Figure Below.

**482452 - Damper (orange colored print)**

**482794 - Damper (blue colored print)**



### BRAKE COMPONENTS



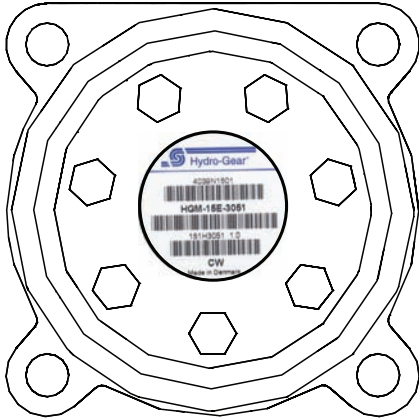
STC 2002 BSC

## BRAKE COMPONENTS

Ref. No.	Part No.	Description
1	04019-06	Nut, Serr. Flange 1/2-13
2	48807	Spring
3	04001-08	Bolt, Hex Head 5/16-18 x 3/4"
4	04001-163	Bolt, Hex Head 1/2-13 x 3-3/4"
5	04001-52	Bolt, Hex Head 1/2-13 x 2-1/2"
6	04021-19	Nut, 1/2-13 Center Lock
7	**	SEE NEXT PAGE FOR WHEEL MOTOR PART NUMBER IDENTIFICATION
8	04063-25	Key, Woodruff 5/16 x 1"
9	461438	Wheel Hub Assembly
10	483644	Brake Band Assembly
11	482061	Bushing, Self Align
12	48680	Nut, Hex Castle 1.0-20 UNEF
13	04061-06	Cotter Pin, 9/64 x 1-1/2"
14	04028-02	Lug Nut, 1/2-20
15	484105	Wheel Assembly 24 x 9.5-12 (48" Cutter Deck)
	484106	Wheel Assembly 24 x 9.5-12 (52" Cutter Deck)
	481850	Wheel Assembly 24 x 12-12 (61" Cutter Deck)
	481659	Rim (48" Cutter Deck)
	482414	Rim (52" Cutter Deck)
	481851	Rim (61" Cutter Deck)
	484104	Tire 24 x 9.5-12 (48 & 52)
	481852	Tire 24 x 12-12 (61)
16	04004-46	Brake Rod Stud, 3/8-24 x 8.125"
17	04020-14	Nut, 3/8-24 UNF
18	423279	Plate Weldment, Motor Backing
19	04064-16	Clevis Pin, 3/8 x 1.93"
20	04069-01	Pin, Rue Cotter 3/8" Dia.
21	451970	Brake Linkage LH
	451971	Brake Linkage RH
22	48114-04	Grease Fitting, 1/4-28
23	04020-25	Nut, 3/8-24 UNF
24	04050-01	Retaining Ring, .625" Ext.
25	04021-10	Nut, Elastic Stop 5/16-18
26	04041-07	Flatwasher, 3/8-.391 x .938 x .105"
27	04001-187	Bolt, Hex Head 1/2-13 x 2-1/2" Grade 8
28	04001-166	Bolt, Hex Head 3/8-24 x 3-3/4"
29	04061-02	Cotter Pin, 3/32 x 3/4"
30	04001-20	Bolt, Hex Head 3/8-16 x 1-1/2"
31	451463	Brake Shaft
32	04021-09	Nut, Elastic Stop 3/8-16
33	48544	Rod End, 3/8-24 LH Thread
34	04064-02	Clevis Pin, 3/8 x 1.06"
35	48343-04	Clevis, 3/8-24
36	482102	Grip, Brake Lever
37	04019-04	Nut, Serr. Flange 3/8-16
38	461509	Brake Lever (includes item 36)
39	04001-22	Bolt, Hex Head 3/8-16 x 2-3/4"
40	04020-17	Nut, 3/8-24 UNF-2B LH Thread
41	422483	Lever, Brake
42	45974	Shaft Weldment, Pivot
43	43495	Pin, Pivot
44	04008-01	Bolt, Serr. Flange 1/2-20 x 4.563"

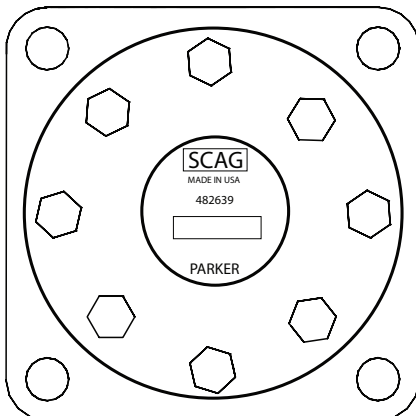
### WHEEL MOTOR PART NUMBER IDENTIFICATION

#### HYDRO-GEAR



Part No.	Model No..	Serial Number Range
483190	STC48V-19KAI	E4600001 to E4601775
	STC48V-19KAI-SS	E6400001 to E6400045
	STC48V-23CV	E4700001 to E4700150
	STC48V-26BS	E4800001 to E4800600
	STC52V-25CV	E4900001 to E4900778
	STC52V-27CV	E6200001 to E6200220
	STC61V-25CV	E5000001 to E5000800
	STC61V-27CV	E6300001 to E6300108

#### PARKER

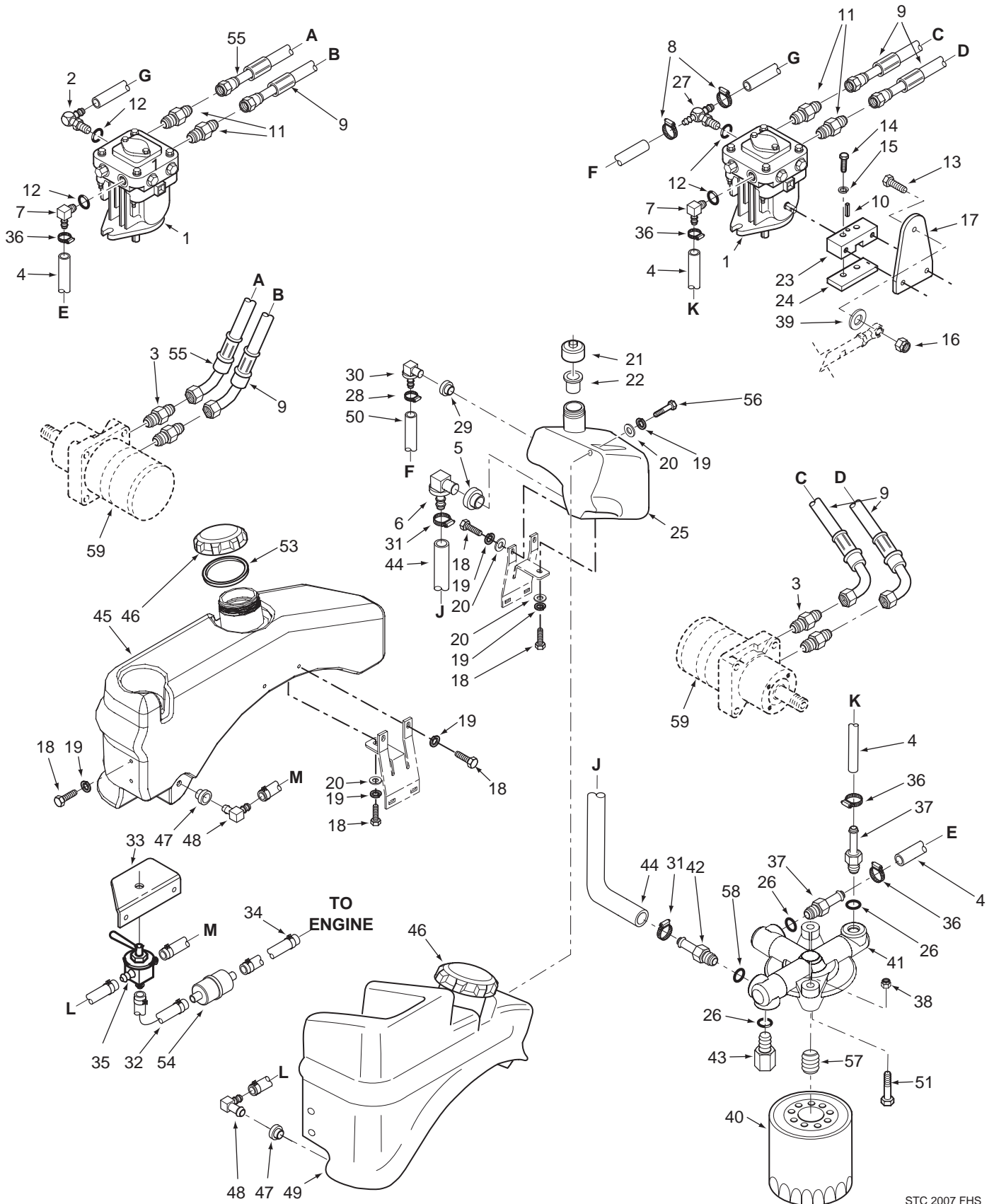


Part No.	Model No..	Serial Number Range
482639	STC48V-19KAI	E4601776 to E4699999
	STC48V-19KAI-SS	E6400046 to E6499999
	STC48V-23CV	E4700151 to E4799999
	STC48V-26BS	E4800601 to E4899999
	STC52V-25CV	E4900779 to E4999999
	STC52V-27CV	E6200221 to E6299999
	STC61V-25CV	E5000801 to E5099999
	STC61V-27CV	E6300109 to E6399999



NOTES

### FUEL AND HYDRAULIC SYSTEM



STC 2007 FHS

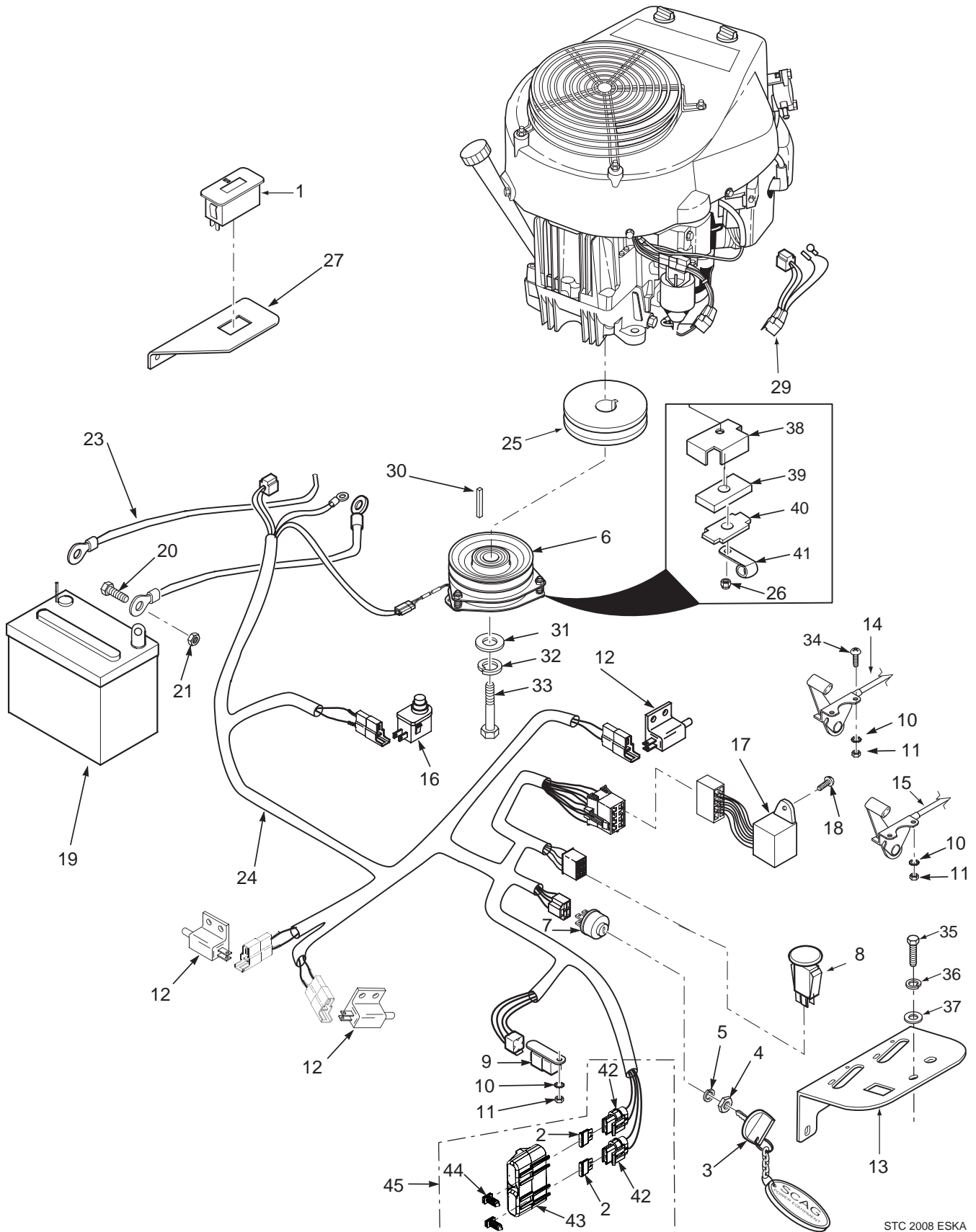
**FUEL AND HYDRAULIC SYSTEM**

Ref. No.	Part No.	Description
1	482643	Pump, BDP-10A-316 (LH)
	482644	Pump, BDP-10A-419 (RH)
2	482266-01	Elbow, 90 Degree 9/16" O-Ring x 3/8" Hose
3	48572-02	Fitting, 1/2" JIC x 5/8" O-Ring
4	48811	Hose, 3/8" Pushlock (Specify length)
5	482573	Bushing
6	482574	Fitting
7	482266-01	Elbow, 90 Degree 9/16" O-Ring x 3/8" Hose
8	48136-13	Hose Clamp, .69" Dia.
9	482548	Hose Assembly
10	04060-06	Roll Pin
11	48572-04	Fitting, 1/2" JIC x 1/2" O-Ring
12	48603-06	O-Ring
13	04001-20	Bolt, Hex Head 3/8-16 x 1-1/2"
14	04017-07	Bolt, Hex Head 1/4-20 x 1-1/4"
15	04030-02	Lockwasher
16	04021-09	Nut, Elastic Stop 3/8-16
17	422969	Control Lever
18	04001-08	Bolt, Hex Head 5/16-18 x 3/4"
19	04030-03	Lockwasher, 5/16"
20	04040-15	Flatwasher, 5/16-.375 x .875 x .083
21	481164	Cap, Hydraulic Tank
22	481507	Insert, Filler Neck
23	48829	Control Block
24	421203	Clamp Plate
25	461479	Hydraulic Tank Assembly w/Fittings
26	48603-06	O-Ring, 9/16"
27	482277	Tee Fitting, O-Ring to Barb
28	48136-13	Clamp, .69" Max. / .25" Min. Dia.
29	482571	Bushing
30	482572	Elbow, 0.38" Hose
31	48136-13	Clamp
32	483617	Fuel Hose, 1/4" ID Non-Perm.
33	423912	Bracket Fuel Valve
34	48059-01	Clamp, Fuel Hose 1/4" Hose ID
35	482212	Valve, Fuel Shutoff

Ref. No.	Part No.	Description
36	48136-13	Clamp, .69" Max. / .25" Min. Dia.
37	482800-02	Fitting, 9/16" O-Ring x 3/8" Hose
38	04019-03	Nut, Serr. Flange 5/16-18
39	04041-07	Flatwasher, 3/8-.391 x .938 x .105"
40	48462-01	Oil Filter
41	482798	Filter Head Assembly
42	482800-01	Fitting, 3/4" O-Ring x 3/8" Hose
43	48604-03	Plug, 9/16-18 O-Ring
44	482557	Hose, Filter Inlet
45	462163	Fuel Tank RH
46	483792	Cap, Fuel Tank (incl. item #53)
47	482571	Tank Bushing
48	483748	Elbow, 90 Degree
49	462162	Fuel Tank LH
50	48811	Hose, 3/8" Pushlock 15" Long
51	04001-17	Bolt, Hex Head 5/16-18 x 2"
52	04010-10	Screw, 1/4-20 x 2"
53	482774	Gasket, Gas Tank Cap
54	**	Fuel Filter
55	482605	Hose Assembly
56	04001-11	Bolt, Hex Head 5/16-18 x 1-1/2"
57	482802	Nipple, Oil Filter 1.0-12 UNF-2A x 1-1/4"
58	48603-02	O-Ring, 3/4"
59	483190	Wheel Motor, Hydro-Gear

\*\* Available through the individual engine manufacturer.

### ELECTRICAL SYSTEM

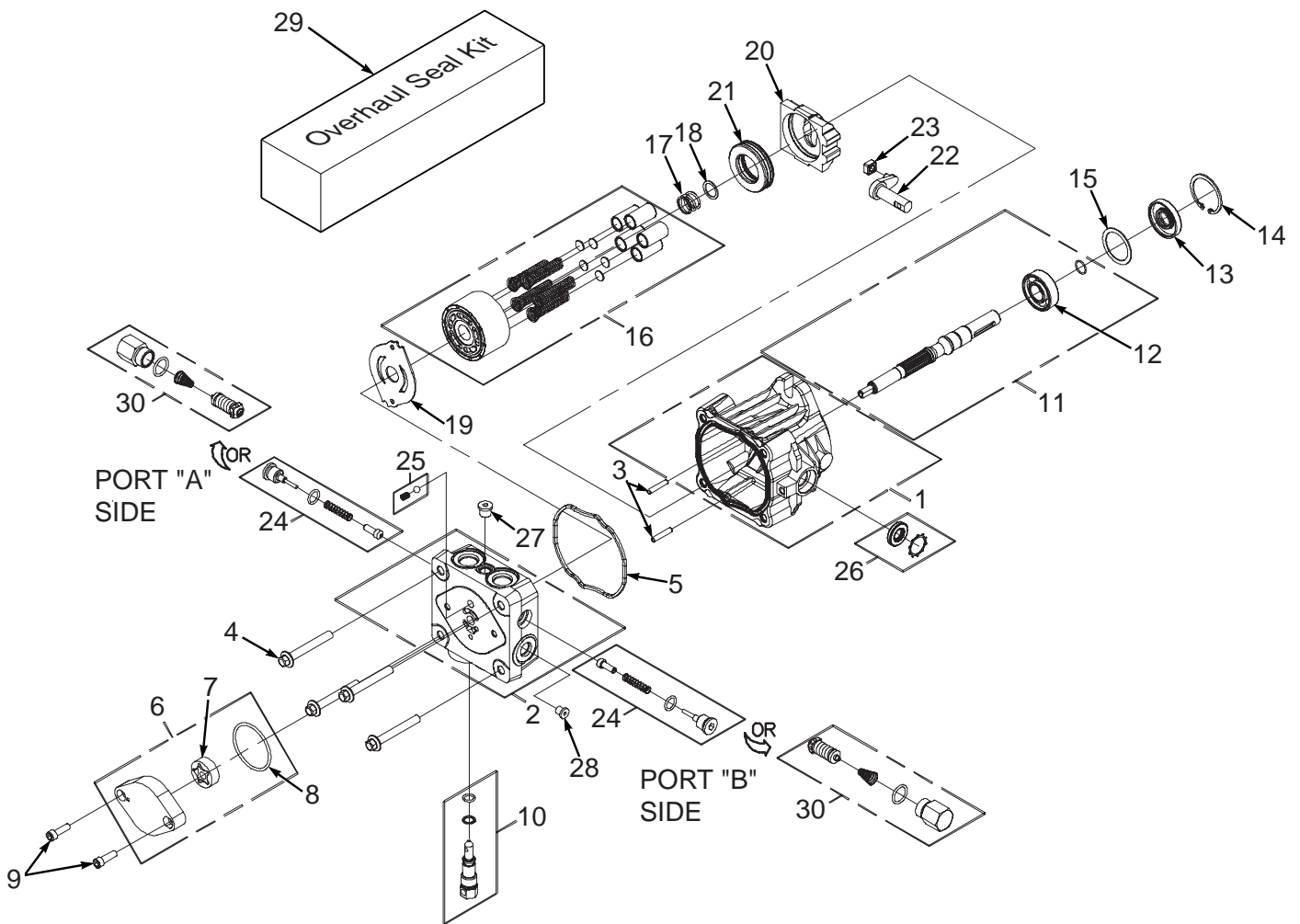


STC 2008 ESKA

**ELECTRICAL SYSTEM**

Ref. No.	Part No.	Description
1	483537	Hourmeter
2	48298	Fuse, 20 amp
3	483366	Key, Ignition
	462069	Key Assembly w/Fob
4	48017-04	Nut, Hex 5/8-32
5	48017-03	Lockwasher, 5/8" Internal
6	461660	Electric PTO Clutch GT3.5
7	48798	Switch, Ignition
8	483957	Switch, PTO
9	483013	Relay
10	04031-01	Lockwasher, #10 External Tooth
11	04020-01	Nut, Hex #10-32
12	481637	Switch, N/O
13	461768	Panel, Instrument
14	482032	Choke & Throttle Control - Kawasaki (Qty 2)
	481544	Choke Control - Kohler (Qty 1)
15	482032	Throttle Control - Kohler (Qty 1)
16	481638	Switch, Seat
17	483029	Module, Interlock
18	04010-01	Screw, #10-32 x .5" Phillips Head
19	483665	Battery, 350CCA (Not Available Through Scag)
20	04001-44	Bolt, Hex Head 1/4-20 x .5"
21	04020-02	Nut, Hex 1/4-20
22	48029-15	Cable, Battery Black (negative)
23	48029-12	Cable, Battery Red (positive)
24	483618	Wiring Harness, Main
25	483081	Pulley, 5.45 OD x 1.125" Bore
26	04021-10	Nut, Elastic Stop 5/16-18 Key
27	424112	Mounting Bracket, Hour Meter
28	04010-11	Screw, #10-32 x 1.5" Phillips Head
29	482836	Adapter, Wiring Harness (Briggs & Stratton only)
	482543	Adapter, Wiring Harness (Kawasaki only)
	484078	Adapter, Wiring Harness (Kohler only)
30	04063-23	Key, 1/4 x 1/4 x 3-1/4"
31	04041-28	Flatwasher, 7/16-.469 x 1-3/4" x 1/4"
32	04030-05	Lockwasher, 7/16"
33	04001-101	Bolt, Hex Head 7/16-20 x 2-1/2" UNF
34	04010-12	Screw, #10-32 x 3/4"
35	04001-08	Bolt, Hex Head 5/16-18 x 3/4"
36	04030-03	Lockwasher, 5/16"
37	04040-15	Flatwasher, 5/16-.375 x .875 x .083
38	423909	Backing Plate
39	481716	Rubber Pad, Clutch Stop
40	422534	Plate, Backing
41	48030-09	Clamp
42	483629	Fuse Holder
43	483571	Cover, Sealed Double
44	482588	Clip, Wire
45	483642	Double Fuse Assembly, Sealed (Incl. items 2, 42, 43, 44)

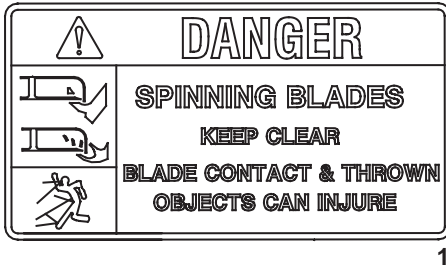
### BDP-10A HYDRAULIC PUMP ASSEMBLY



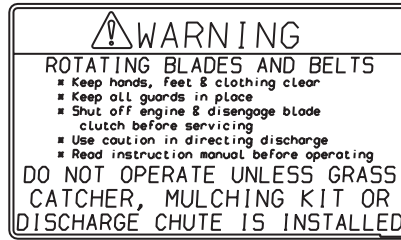
## BDP-10A HYDRAULIC PUMP ASSEMBLY

Ref. No.	Part No.	Description
1	HG 70516	Housing Kit
2	HG 70573	End Cap Kit
3	HG 50641	Straight Headless Pin
4	HG 50969	Hex Flange Bolt, M8-1.25 x 60mm
5	HG 51232	Housing O-Ring
6	HG 2513027	Charge Pump Kit
7	HG 50273	Gerotor Assembly
8	HG 9004101-1340	O-Ring
9	HG 50095	Socket Head Screw, M6 x 1.0-20mm
10	HG 2513030	Bypass Valve Kit
11	HG 70521	Pumpshaft Kit
12	HG 50315	Ball Bearing, 17 x 40 x 12mm
13	HG 51161	Lip Seal
14	HG 50329	Retaining Ring
15	HG 50951	Spacer
16	HG 70331	Cylinder Block Kit
17	HG 2003014	Block Spring
18	HG 2003017	Block Thrust Washer
19	HG 51444	Valve Plate
20	HG 2003087	Swash Plate
21	HG 50551	Ball Thrust Bearing
22	HG 2003005	Trunnion Arm
23	HG 2000015	Slot Guide
24	HG 2510062	Check Valve Kit (.024" Orifice) port "A" on Left Hand Pump, port "B" on Right Hand Pump
25	HG 70403	Charge Relief Kit
26	HG 2513043	Trunnion Seal with Retainer
27	HG 9005110-4400	Straight Thread Plug
28	HG 50408	Straight Headless Pin
29	HG 70525	Overhaul Seal Kit
30	HG 70743	System Check Relief Kit, port "B" on Left Hand Pump, port "A" on Right Hand Pump

### REPLACEMENT DECALS AND INFORMATION PLATES



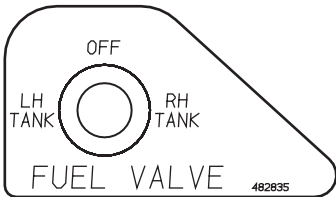
1



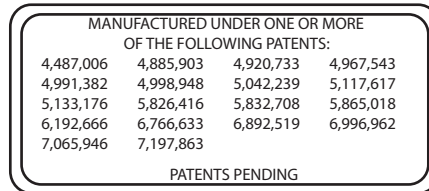
2



8



11



5



13



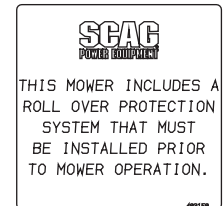
482100

6



481971

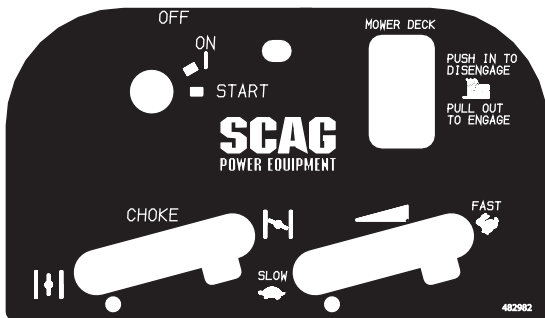
7



4

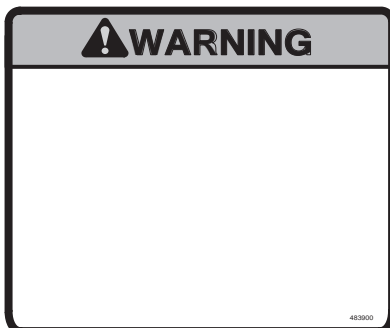


9



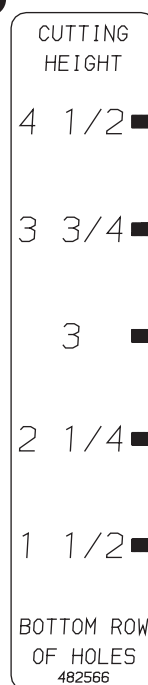
482982

10

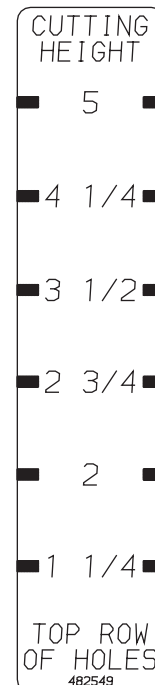


483900

19



12



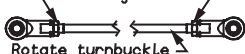
18



## REPLACEMENT DECALS AND INFORMATION PLATES

Ref. No.	Part No.	Description
1	483407	Decal, Danger-Spinning Blades
2	483406	Decal, Warning-Rotating Blades
3	483199	Decal, 48V
	483200	Decal, 52V
	483201	Decal, 61V
4	483158	Decal, ROPS
5	483044	Decal, Patents
6	482100	Decal, Traction Control
7	481971	Decal, Heavy Duty Commercial
8	48404	Decal, Metalcraft - Made in USA
9	483402	Decal, Belt Cover
10	482982	Decal, Instrument Panel
11	482835	Decal, Fuel Valve Position
12	482566	Decal, Cutting Height Bottom Row of Holes
13	483838	Decal, Tiger Cat
14	482709	Decal, Seat Support
15	483839	Decal, Rear Bumper
16	482166	Decal, Front Footplate
17	483405	Decal, Discharge Chute
18	482549	Decal, Cutting Height Top Row of Holes
19	483900	Decal, Warning Spark Arrestor (California only)
**	461983	Spanish Decal Kit, STC / STWC (not shown)

**IMPORTANT ADJUSTMENT PROCEDURES**  
**READ OPERATOR'S MANUAL FOR MORE DETAILS**  
 Check tire pressure - (Drive tires-12 psi)  
 - (Caster tires-25 psi)

**NEUTRAL ADJUSTMENT**  
 Loosen jam nuts  
  
 Rotate turnbuckle

With an operator in the seat, engine running, control lever in neutral and the parking brake disengaged - adjust control linkage. Loosen jam nuts. If wheel rotates forward, adjust turnbuckle CW. If wheel rotates rearward, adjust turnbuckle CCH. Adjust until drive wheel stops turning. Tighten jam nuts. Repeat procedure until proper Neutral Adjustment is obtained.

**TRACKING ADJUSTMENT**  
 If the machine pulls to the right, adjust LH control linkage CW to slow left wheel. If the machine pulls to the left adjust RH control linkage CW to slow right wheel. Readjust neutral if necessary.

**FREE WHEEL OPERATION**  
 To move machine without running the engine, rotate both dump valves located at the LH side of the pumps CCH 1/2 turn to "freewheel" positions. Return dump valves to original position to operate the mower. Tighten to 7-10 ft.-lbs.

**HYDRAULIC FLUID LEVEL**  
 Check hydraulic fluid level while fluid is cool. Fluid level should be 3" below top of filler neck. Fill with SAE 20W50 motor oil only.

**IMPORTANT**  
 Do not overfill. Room for hot fluid expansion must be allowed or resulting expansion may cause leaks in the system.

482709

14



15



3

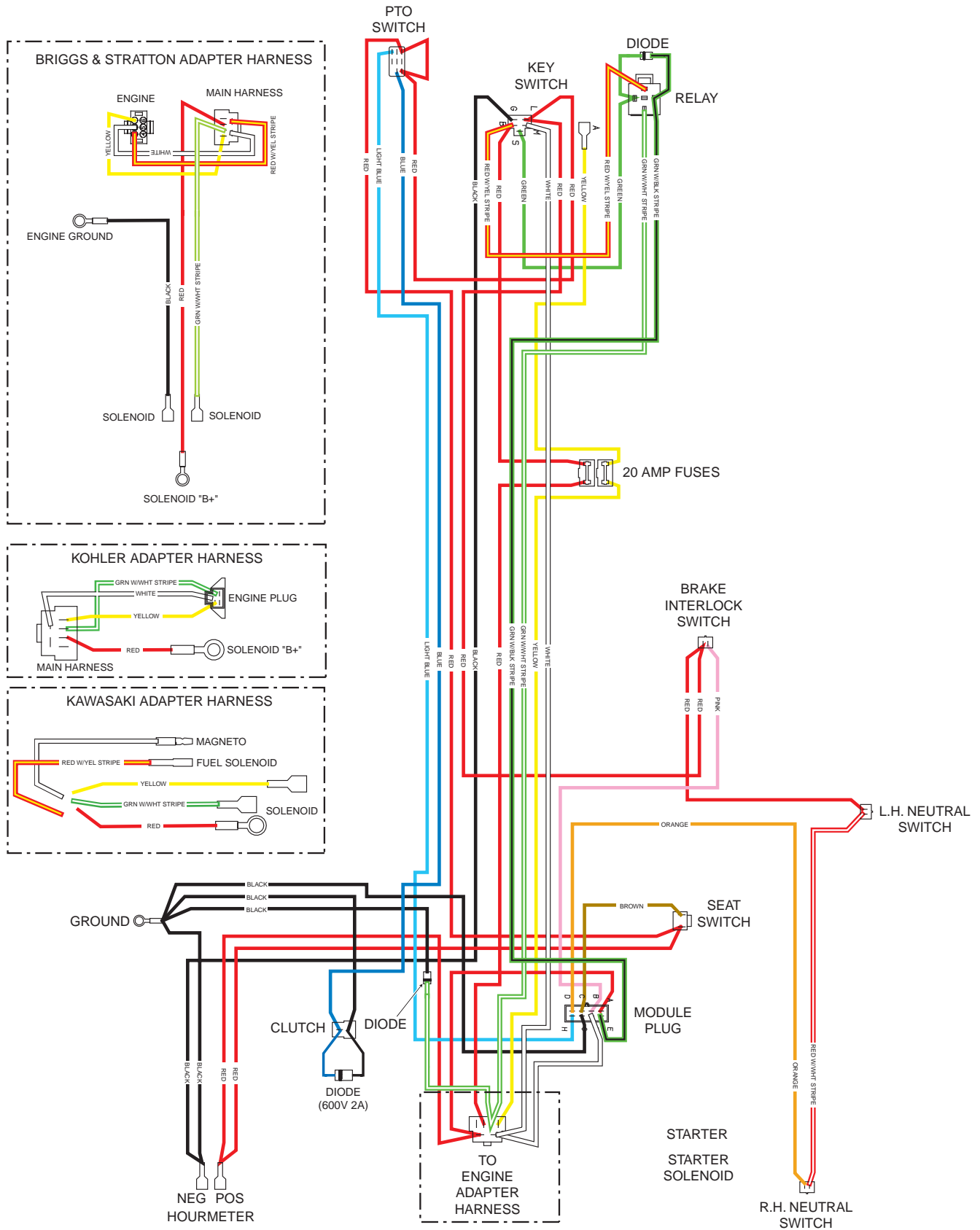


16



17

### ELECTRICAL SCHEMATIC



2008 STC 26 ELS & 25CV Electrical Schematic

## Free Manuals Download Website

<http://myh66.com>

<http://usermanuals.us>

<http://www.somanuals.com>

<http://www.4manuals.cc>

<http://www.manual-lib.com>

<http://www.404manual.com>

<http://www.luxmanual.com>

<http://aubethermostatmanual.com>

Golf course search by state

<http://golfingnear.com>

Email search by domain

<http://emailbydomain.com>

Auto manuals search

<http://auto.somanuals.com>

TV manuals search

<http://tv.somanuals.com>