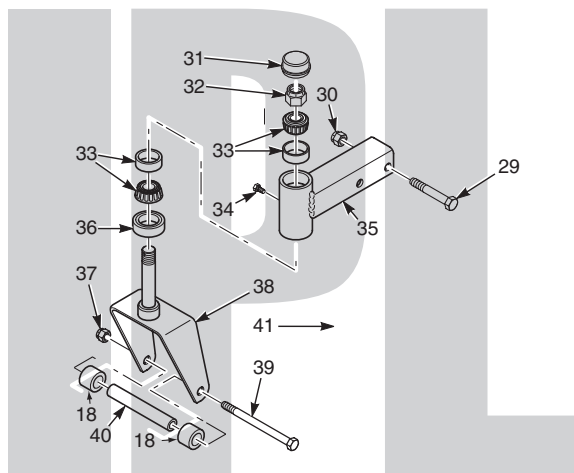


SCAG[®]

POWER EQUIPMENT



ILLUSTRATED PARTS MANUAL



Model STT-25CH-LP Turf Tiger

THIS MANUAL CONTAINS THE ILLUSTRATED PARTS LIST FOR MODELS:

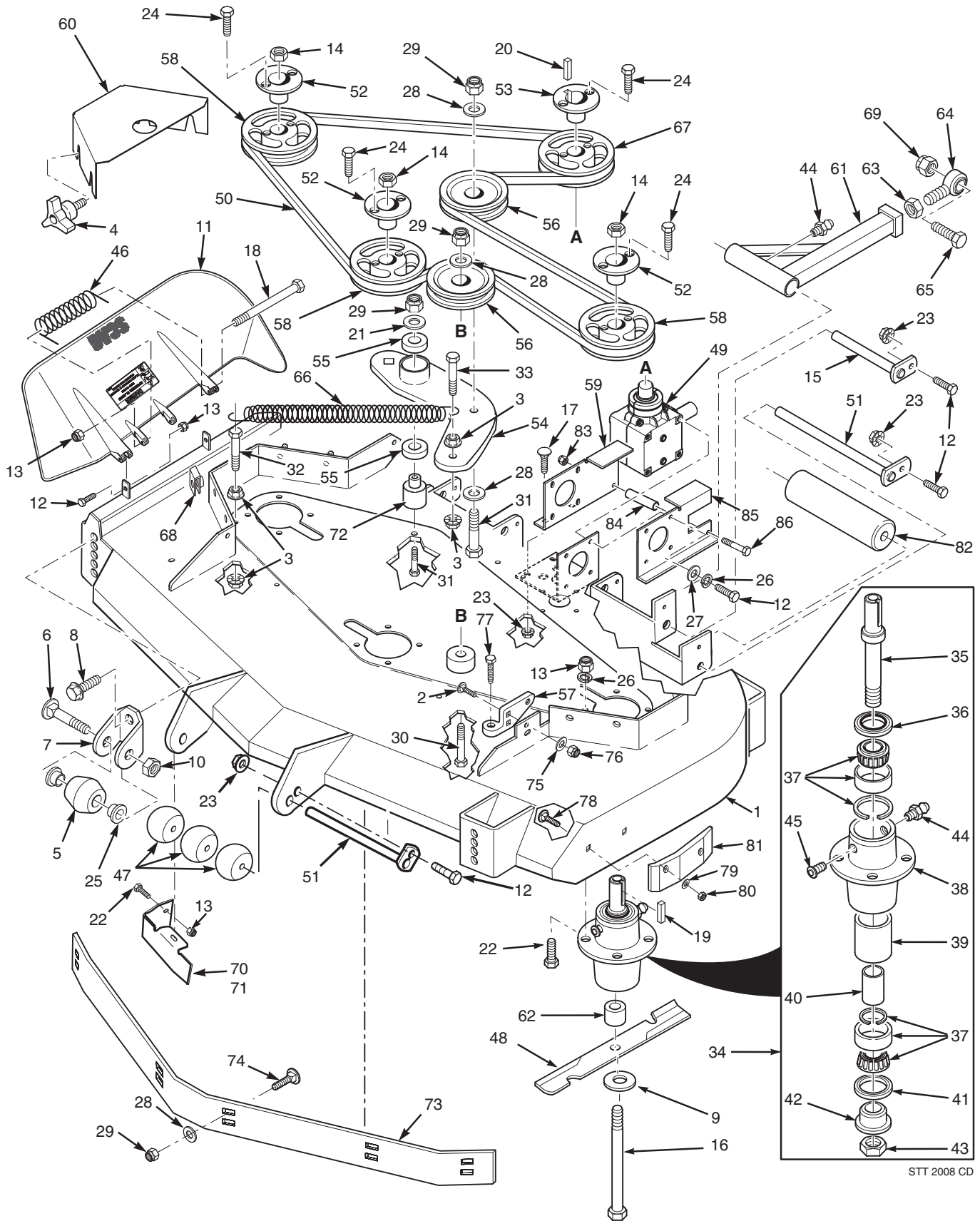
STT52V-25CH-LP
STT61V-25CH-LP

with a serial number of F5300001 to F5399999
with a serial number of F5500001 to F5599999

Table of Contents

52V CUTTER DECK.....	2
61V CUTTER DECK.....	4
CUTTER DECK CONTROLS.....	6
SHEET METAL COMPONENTS.....	8
STT ROLL-OVER PROTECTION SYSTEM.....	10
STT SUSPENSION SEAT.....	12
DECK DRIVE COMPONENTS.....	14
ENGINE AND ATTACHING PARTS - KOHLER LP.....	16
BRAKE AND STEERING COMPONENTS.....	18
HYDRAULIC SYSTEM - KOHLER LP.....	20
LP SYSTEM - KOHLER.....	22
BDP-16A HYDRAULIC PUMP ASSEMBLY.....	24
ELECTRICAL SYSTEM - KOHLER LP.....	26
REPLACEMENT DECALS AND INFORMATION PLATES.....	28
ELECTRICAL SCHEMATIC - KOHLER LP.....	30

52V CUTTER DECK



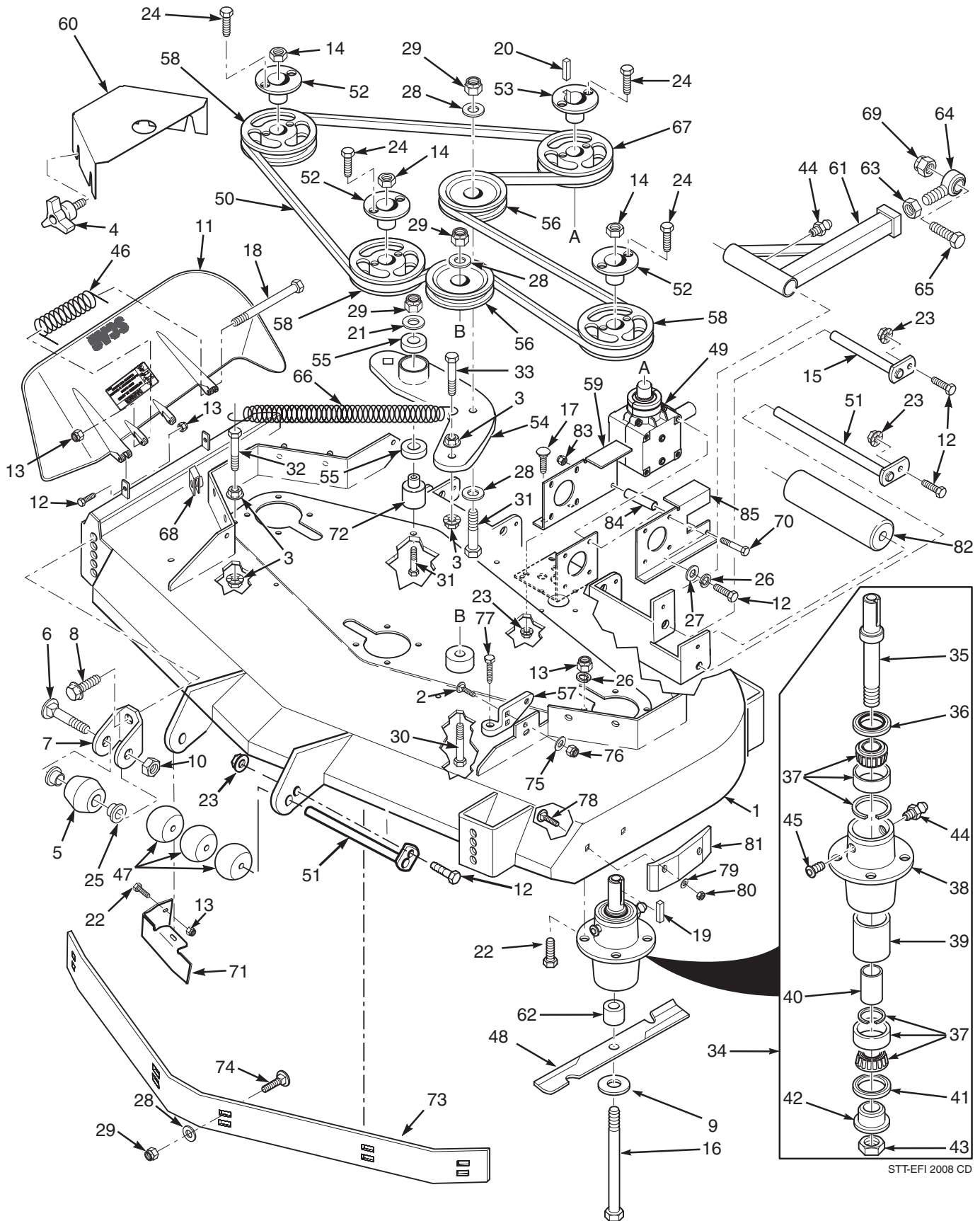
STT 2008 CD

52V CUTTER DECK

Ref. No.	Part No.	Description
1	461859	Cutter Deck Velocity Plus
2	04003-40	Bolt, Carriage 7/16-14 x 1-1/4"
3	04019-04	Nut, Hex Serr. Flng 3/8-16
4	481625-01	Wing nut, 3/8-16
5	481632	Anti-Scalp Wheel
6	04003-26	Bolt, Carriage 3/8-16 x 4"
7	422478	Anti-Scalp Wheel Bracket
8	04017-27	Bolt, Hex Serr. Flng 3/8-16 x 1"
9	04043-06	Flatwasher, 5/8" Hardened
10	04021-05	Locknut, 3/8-16 Center Lock
11	461845	Discharge Chute
12	04001-11	Bolt, Hex Head 5/16-18 x 1-3/4" - Front
	04001-12	Bolt, Hex Head 5/16-18 x 1-1/2" - Rear
13	04021-22	Nut, Hex Elastic Stop 5/16-18 Grd 8
14	04020-09	Nut, 5/8-11 UNC
15	451240	Push Arm Shaft
16	04001-41	Bolt, HH 5/8-11 x 9-1/2"
17	04003-12	Bolt, Carriage 5/16-18 x 3/4"
18	04001-108	Bolt, HH 5/16-18 x 4-1/2"
19	04063-08	Key, 1/4 x 1/4 x 2"
20	04063-01	Key, 1/4 x 1/4 x 1-1/4"
21	04043-04	Flatwasher, 3/8" (.39 x .938 x .105") HD
22	04001-176	Bolt, HH 5/16-18 x 1-3/4"
23	04019-03	Nut, Hex Serr. Flng 5/16-18
24	04001-172	Bolt, HH 1/4-20 x 1" Grd 8
25	48100-15	Bushing, .376" I.D. Oilite
26	04030-03	Lockwasher, 5/16"
27	04040-15	Flatwasher, 5/16" (.375 x .875 x .083")
28	04041-07	Flatwasher, 3/8" (.391 x .938 x .105")
29	04021-09	Nut, Hex Elastic Stop 3/8-16
30	04001-62	Bolt, HH 3/8-16 x 3-1/4"
31	04001-54	Bolt, HH 3/8-16 x 3"
32	04001-20	Bolt, HH 3/8-16 x 1-1/2"
33	04001-136	Bolt, HH 3/8-16 x 1-1/2" Grd 8
34	461663	Spindle Assembly
35	43589	Spindle Shaft
36	481024	Seal, Top
37	481022	Bearing Assembly
38	43644	Spindle Housing
39	43312	Spacer, Outside
40	43296	Spacer, Inside
41	481025	Seal, Bottom
42	43297	Spindle Bushing, Bottom
43	481035	Nut, Special 1-1/16-18
44	48114-04	Grease Fitting
45	48677	Relief Fitting, Tapered Spindle

Ref. No.	Part No.	Description
46	483378	Spring, Discharge Chute
47	482295	Wheel, Anti-Scalp
48	482878	Cutter Blade, 18"
49	482486	Gearbox Assm, Deck Drive
50	482281	Belt, Cutter Deck Drive
51	45944	Roller Shaft
52	48926	Tapered Hub, 1-1/8" Bore
53	48141	Tapered Hub, 1" Bore
54	461842	Idler Arm, Cutter Deck
55	48224	Bearings, Ball
56	483215	Pulley, Idler
57	461929	Lever Assembly, Deck Level (Incl. 77)
58	482744	Pulley, 5.75" O.D. (52")
59	424798	Mounting Plate, RH Gearbox
60	422412	Belt, Cover
61	461516	Pusharm (includes items 44, 63 & 64)
62	43590	Spacer, Spindle Bottom
63	04020-16	Nut, Hex Head 5/8-18 UNF
64	48763	Rod End, 5/8" Male RH Thrd
65	04001-79	Bolt, Hex Head 5/8-11 x 4-1/2"
66	483704	Spring, Cutter Deck
67	482747	Pulley, 6.95" O.D.
68	04110-03	U-Nut, 3/8-16
69	04021-13	Nut, Hex Elastic Stop 5/8-11
70	424208	Discharge Baffle 52V
72	43503	Pivot, Idler - Short
73	424840	Baffle, Custom Cut 52V
74	04003-23	Bolt, Carriage 3/8-16 x 1"
75	04040-11	Flatwasher, 7/16" (.500 x 1.25 x .083")
76	04021-11	Nut, Elastic Stop 7/16-14
77	483167	Bolt, Deck Adjust
78	04003-12	Bolt, Carriage 5/16-18 x 3/4"
79	04040-04	Flatwasher, 5/16"
80	04021-04	Nut, Center Lock 5/16-18
81	483176	Wear Pad
82	48038	Wheel, Anti-Scalp
83	04021-10	Nut, Elastic Stop 5/16-18
84	43763	Spacer, Gearbox Mount
85	424799	Mounting Plate, LH Gearbox
86	04001-154	Bolt, HH 5/16-18 x 4-3/4"

61V Cutter Deck



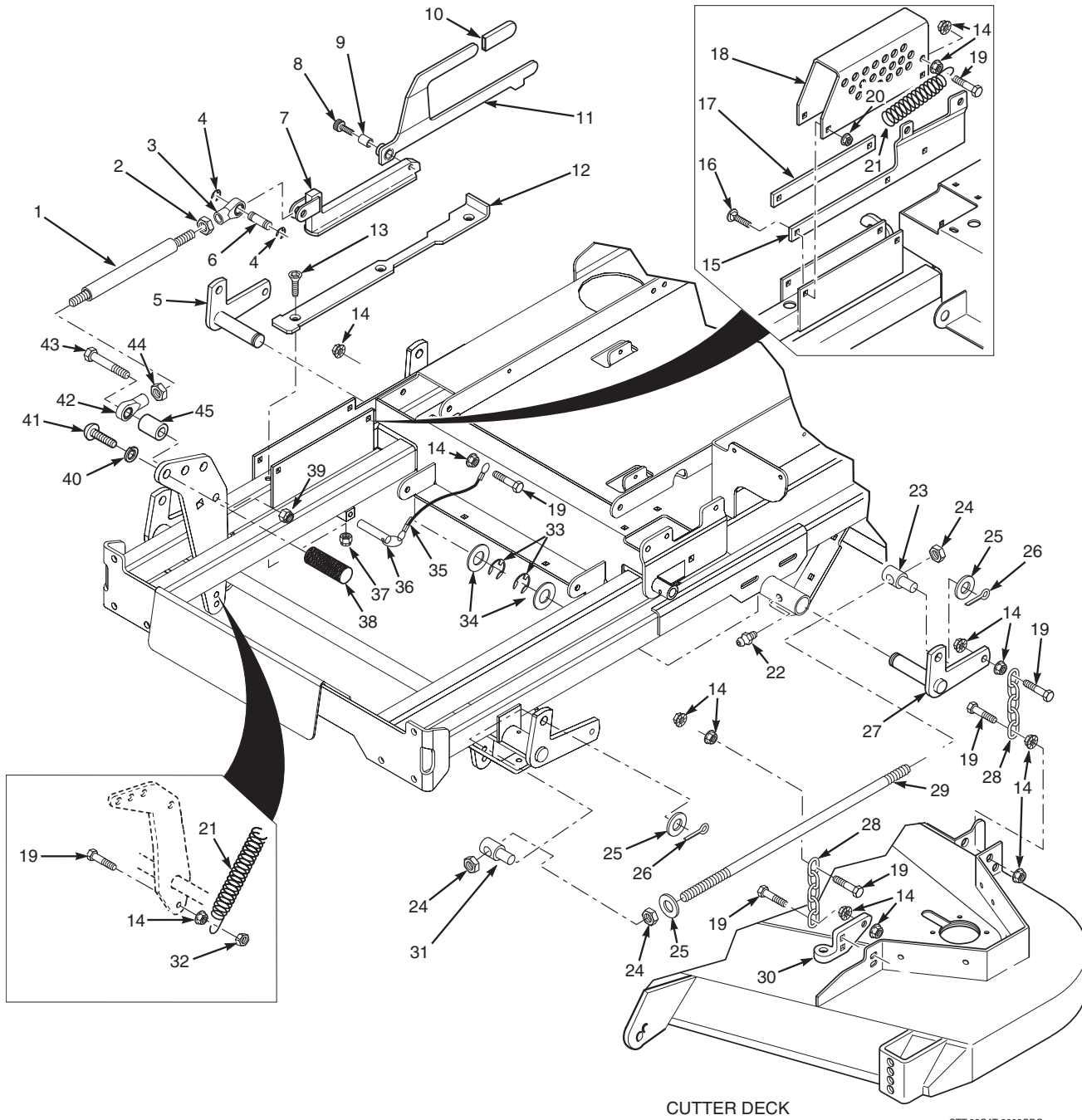
STT-EFI 2008 CD

61V Cutter Deck

Ref. No.	Part No.	Description
1	461863	Cutter Deck Velocity Plus
2	04003-40	Bolt, Carriage 7/16-14 x 1-1/4"
3	04019-04	Nut, Hex Serr. Flng. 3/8-16
4	481625-01	Wing Nut, 3/8-16
5	481632	Anti-Scalp Wheel
6	04003-26	Bolt, Carriage 3/8-16 x 4"
7	422478	Anti-Scalp Wheel Bracket
8	04017-27	Bolt, Hex Serr. Flng. 3/8-16 x 1"
9	04043-06	Flatwasher, 5/8" Hardened
10	04021-05	Locknut, 3/8-16 Center Lock
11	461846	Discharge Chute
12	04001-12	Bolt, Hex Hd. 5/16-18 x 1-1/2" - Rear
13	04021-22	Nut, Hex Elastic Stop 5/16-18 Grd. 8
14	04020-09	Nut, 5/8-11 UNC
15	451240	Pusharm Shaft
16	04001-41	Bolt, Hex Hd. 5/8-11 x 9-1/2"
17	04003-12	Bolt, Carriage 5/16-18 x 3/4"
18	04001-108	Bolt, Hex Hd. 5/16-18 x 4-1/2"
19	04063-08	Key, 1/4 x 1/4 x 2"
20	04063-01	Key, 1/4 x 1/4 x 1-1/4"
21	04043-04	Flatwasher, 3/8 (.39 x .938 x .105") HD
22	04001-176	Bolt, Hex Hd. 5/16-18 x 1-3/4"
23	04019-03	Nut, Hex Serr. Flng. 5/16-18
24	04001-172	Bolt, Hex Hd. 1/4-20 x 1" Grd. 8
25	48100-15	Bushing, .376" I.D. Oilite
26	04030-03	Lockwasher, 5/16"
27	04040-15	Flatwasher, 5/16" (.375 x .875 x .083")
28	04041-07	Flatwasher, 3/8" (.391 x .938 x .105")
29	04021-09	Nut, Hex Elastic Stop 3/8-16
30	04001-62	Bolt, Hex Hd. 3/8-16 x 3-1/4"
31	04001-54	Bolt, Hex Hd. 3/8-16 x 3"
32	04001-20	Bolt, Hex Hd. 3/8-16 x 1-1/2"
33	04001-136	Bolt, Hex Hd. 3/8-16 x 1-1/2" Grd. 8
34	461663	Spindle Assembly
35	43589	Spindle Shaft
36	481024	Seal, Top
37	481022	Bearing Assembly
38	43644	Spindle Housing
39	43312	Spacer, Outside
40	43296	Spacer, Inside
41	481025	Seal, Bottom
42	43297	Spindle Bushing, Bottom
43	481035	Nut, Special 1-1/16-18
44	48114-04	Grease Fitting
45	48677	Relief Fitting, Tapered Spindle

Ref. No.	Part No.	Description
46	483378	Spring, Discharge Chute
47	482295	Wheel, Anti-Scalp
48	482879	Cutter Blade, 21"
49	482486	Gearbox Assembly, Deck Drive
50	481558	Belt, Cutter Deck Drive
51	45944	Roller Shaft
52	48926	Tapered Hub, 1-1/8" Bore
53	48141	Tapered Hub, 1" Bore
54	461842	Idler Arm, Cutter Deck
55	48224	Bearings, Ball
56	483215	Pulley, Idler
57	461929	Lever Assembly, Deck Level (Incl. 77)
58	482745	Pulley, 6.35" O.D. (61")
59	424798	Mounting Plate, RH Gearbox
60	424325	Belt, Cover
61	461516	Pusharm (Incl. 44, 63 & 64)
62	43590	Spacer, Spindle Bottom
63	04020-16	Nut, Hex Hd. 5/8-18 UNF
64	48763	Rod End, 5/8" Male RH Thread
65	04001-79	Bolt, Hex Hd. 5/8-11 x 4-1/2"
66	483704	Spring, Cutter Deck
67	482746	Pulley, 6.75 O.D.
68	04110-03	U-Nut, 3/8-16
69	04021-13	Nut, Hex Elastic Stop 5/8-11
70	04001-154	Bolt, Hex Hd. 5/16-18 x 4-3/4"
71	424209	Discharge Baffle 61V
72	43503	Pivot, Idler - Short
73	424841	Baffle, Custom Cut 61V
74	04003-23	Bolt, Carriage 3/8-16 x 1"
75	04040-11	Flatwasher, 7/16 (.500 x 1.25 x .083")
76	04021-11	Nut, Elastic Stop 7/16-14
77	483167	Bolt, Deck Adjust
78	04003-12	Bolt, Carriage 5/16-18 x 3/4"
79	04040-04	Flatwasher, 5/16"
80	04021-04	Nut, Center Lock 5/16-18
81	483176	Wear Pad
82	48038	Wheel, Anti-Scalp
83	04021-10	Nut, Elastic Stop 5/16-18
84	43763	Spacer, Gearbox Mount
85	424799	Mounting Plate, LH Gearbox

CUTTER DECK CONTROLS



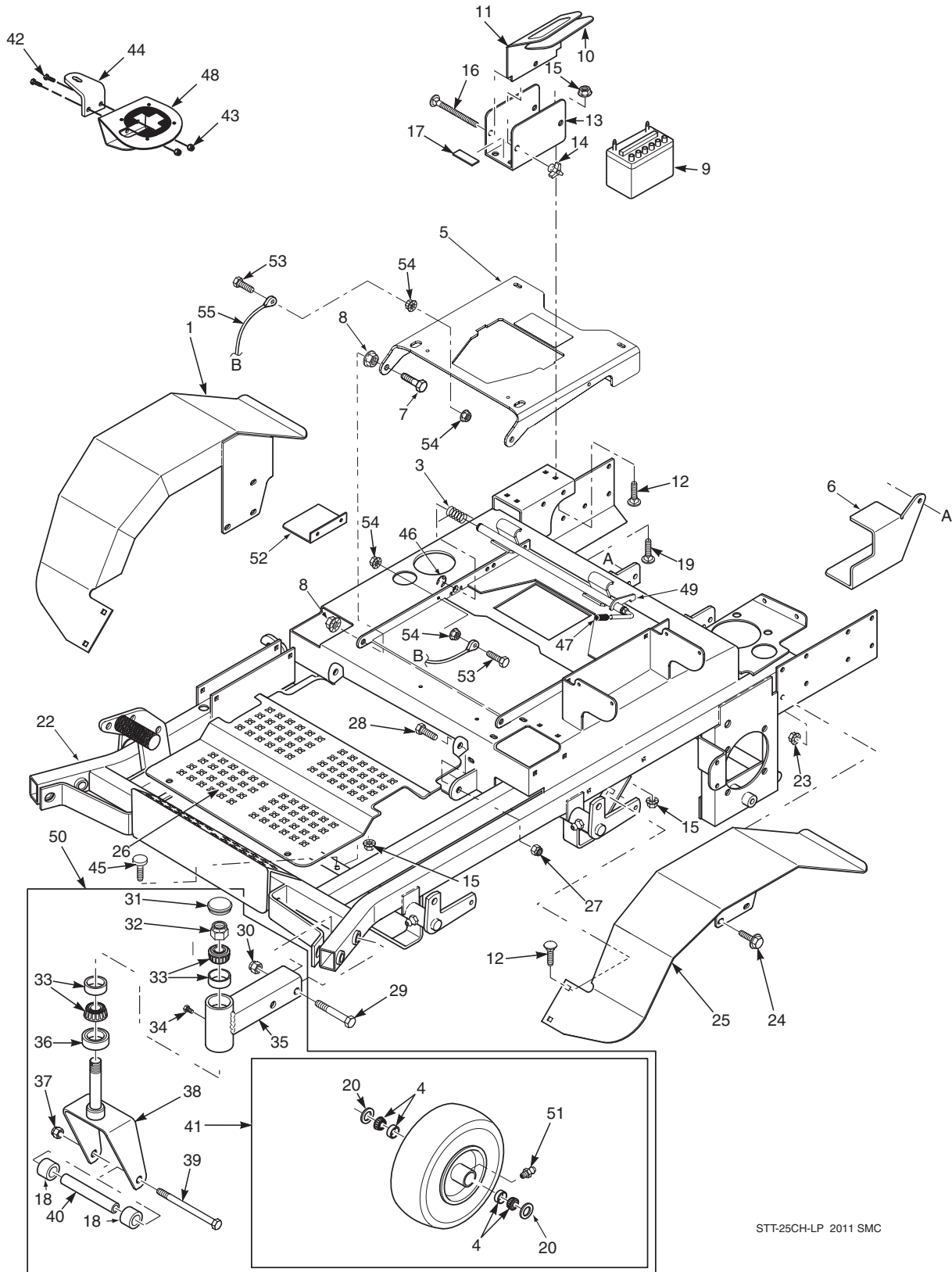
CUTTER DECK

STT-28CAT 2008CDC

CUTTER DECK CONTROLS

Ref. No.	Part No.	Description
1	481764	Link, Deck Lift
2	04020-28	Nut, Jam 1/2-20 LH
3	481766	Rod End, Female - 1/2-20 LH
4	04050-10	Ring, Retaining 1/2" External "E"
5	45905	Bellcrank Weldment, RH Rear
6	43487	Pin, Decklift
7	482429	Slide Weldment, Height Adjustment
8	04009-02	Bolt, Shoulder 1/2 x 3/4"
9	48100-14	Bushing, .502 ID.
10	481428	Grip, Deck Latch
11	462102	Deck Latch (Includes items 9 & 10)
12	424857	Lockplate, Decklift
13	04014-03	Screw, Cap 5/16-18 x 3" FHHS
14	04019-04	Nut, Hex Serrated Flange 3/8-16
15	423509	Guide, Long
16	04003-04	Bolt, Carriage 5/16-18 x 1"
17	422381	Guide, Short
18	423463	Bracket, Cutting Height Adjustment
19	04001-20	Bolt, Hex Head 3/8-16 x 1-1/2"
20	04019 -03	Nut, Hex Serrated Flange 5/16-18
21	481598	Spring, Helper (61" & 72" Cutter Decks Only)
22	48114-04	Grease Fitting
23	43526	Swivel Joint, LH
24	04020-09	Nut, Hex 5/8-11
25	04040-09	Flatwasher, 5/8" (.656 x 1.312 x .095)
26	04061-07	Cotter Pin, 3/16 x 1"
27	45904	Bellcrank Weldment, LH Rear
28	48540	Chain
29	04004-48	Stud, 5/8-11 x 26.0"
30	461929	Lever Assembly, Deck Level
31	43527	Swivel Joint, RH
32	04021-05	Locknut, 3/8-16 Center Lock
33	04050-08	Ring, Retaining 1" External "E"
34	04041-14	Flatwasher, 1" (1.062 x 1.50 x .048)
35	481547	Lanyard, Deck Height Pin
36	04067-09	Ring Pin, 1/2 x 3.06"
37	04021-09	Nut, 3/8-16 Elastic Stop
38	424504	Foot Pedal, Height Adjustment
39	04021-07	Nut, Hex Elastic Stop 1/2-13
40	04030-07	Lockwasher, 5/8"
41	04105-01	Capscrew, 5/8-11 x 1-1/2"
42	481765	Rod End, Female - 1/2-20 RH
43	04001-74	Bolt, Hex Head 1/2-13 x 3"
44	04020-27	Nut, Jam 1/2-20 RH
45	43391	Spacer, Decklift Pedal

SHEET METAL COMPONENTS



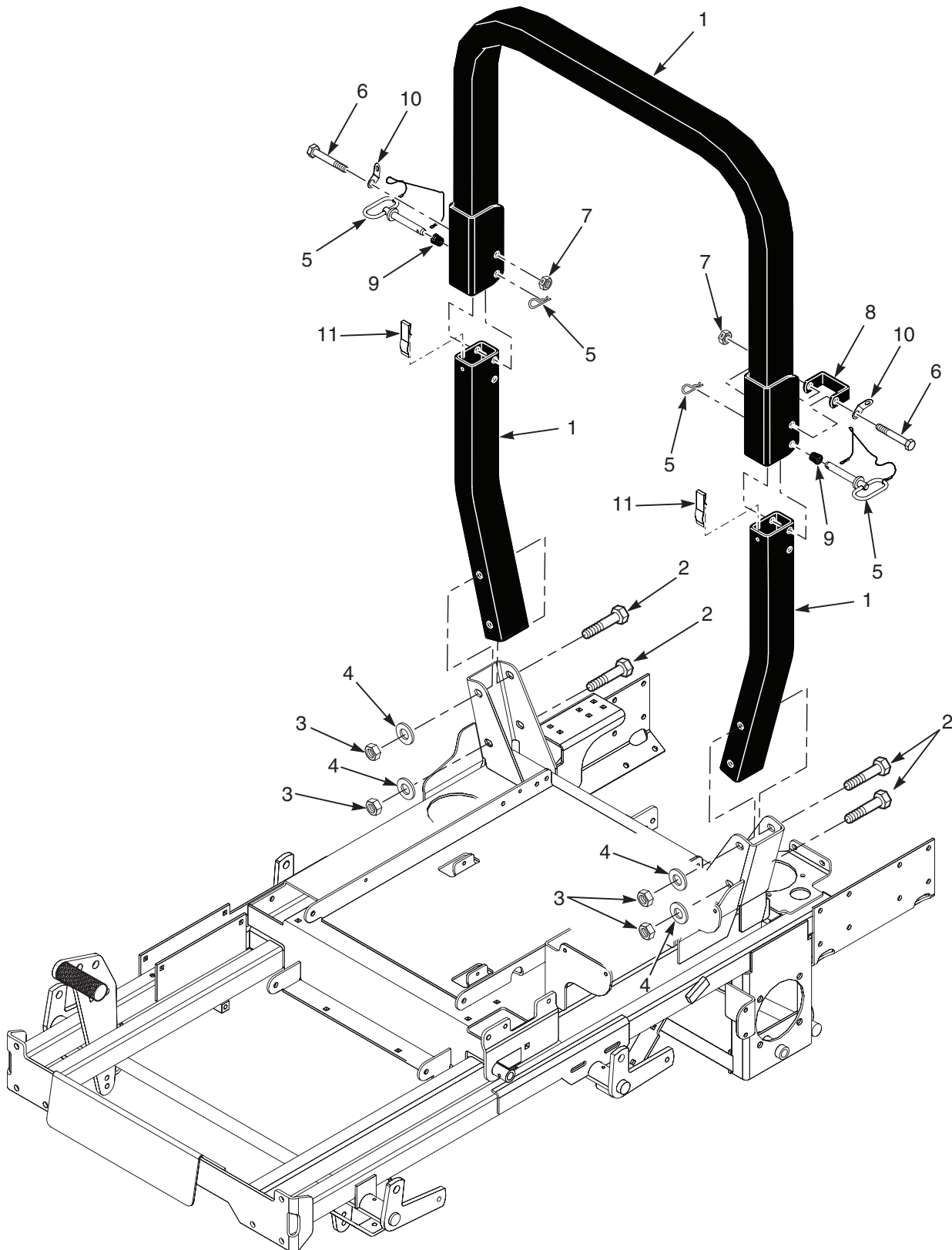
STT-25CH-LP 2011 SMC

SHEET METAL COMPONENTS

Ref. No.	Part No.	Description
1	451481	Fender Weldment, RH
2	04001-09	Bolt, Hex Head, 5/16-18 x 1, Zinc
3	483371	Spring, Seat Latch
4	482621	Bearing w/ Race
5	491729	Seat Plate w/Decal
6	424819	Guard, Fuel Line
7	04001-117	Bolt, Hex Head 7/16-14 x 1-3/4"
8	04019-05	Nut, 7/16-14 Serrated Flange
9	*	Battery (not avail. through Scag)
10	48903	Pad, Battery Cover
11	421274	Cover, Battery
12	04003-12	Bolt, Carriage 5/16-18 x 3/4"
13	423308	Plate, Battery Box
14	04029-01	Wing Nut, 1/4-20 x 3/4"
15	04019-03	Nut, Hex Serrated Flange 5/16-18
16	04003-01	Bolt, Carriage 1/4-20 x 6"
17	48661	Rubber Pad
18	43584	Spacer, Caster Wheel
19	04003-04	Bolt, Carriage 5/16-18 x 1"
20	482622	Seal
21	04021-09	Locknut, 3/8-16, Elast. Stop
22	462329	Main Frame w/Decals
23	04019-04	Nut, Hex Serrated Flange 3/8-16
24	04017-27	Screw, Hex Serrated Flange 3/8-16 x 1"
25	451480	Fender Weldment, LH
26	423489	Foot Plate
27	04021-09	Nut, Hex Elastic Stop 3/8-16
28	04001-19	Bolt, Hex Head 3/8-16 x 1"
29	04001-125	Bolt, Hex Head 5/8-11 x 4"
30	04021-13	Nut, Hex Elastic Stop 5/8-11
31	481559	Cap, Grease
32	04021-20	Nut, Hex Elastic Stop 1.0-14
33	481657	Bearing W/Race
34	482028-01	Plug, 1/4-28 THD Form
35	451450	Extention Weldment, Caster 52V (LH)
	451957	Extention Weldment, Caster 52V (RH)
	451825	Extention Weldment, Caster 61V (LH)
	451451	Extention Weldment, Caster 61V (RH)
36	481025	Seal, 2.00" OD. x 1.625" Bore
37	04021-07	Nut, Hex Elastic Stop 1/2-13
38	45934	Yoke Weldment, Caster (52V)
	451416	Yoke Weldment, Caster (61V)
39	04001-134	Bolt, Hex Head 1/2-13 x 7-1/2" (52V)
	04001-167	Bolt, Hex Head 1/2-13 x 9-1/2" (61V)
40	43581	Sleeve, Caster Wheel (52V)
	43583	Sleeve, Caster Wheel (61V)
41	9277	Wheel Assy, 52V (Incl. items 20, 54, 55)
	9278	Wheel Assy, 61V, 72A (Incl. 20, 54, 55)
42	04001-01	Bolt, Hex Head 1/4-20 x 3/4"
43	04001-01	Bolt, Hex Head 1/4-20 x 3/4"
44	423674	Mounting Bracket, STT Cup Holder
45	481284	Bumper, Rubber

Ref. No.	Part No.	Description
46	04050-01	Retaining Ring, .625" Ext. "E"
47	484341	Grip, Seat Latch
48	9240	Cup Holder Assembly
49	491731	Lever Assembly, Seat Release
50	462045	Caster Wheel Assembly (Incl. 31 thru 43) 52V (LH)
	462046	Caster Wheel Assembly (Incl. 31 thru 43) 52V (RH)
	461908	Caster Wheel Assembly (Incl. 31 thru 43) 61V (LH)
	461909	Caster Wheel Assembly (Incl. 31 thru 43) 61V (RH)
51	48114-10	Grease Fitting
52	425289	Cover, Fuel Tank Opening
53	04001-02	Bolt, Hex Head 1/4-20 x 1-1/4"
54	04019-02	Nut, Serrated Flange 1/4-20
55	48566	Cable, Seat Stop

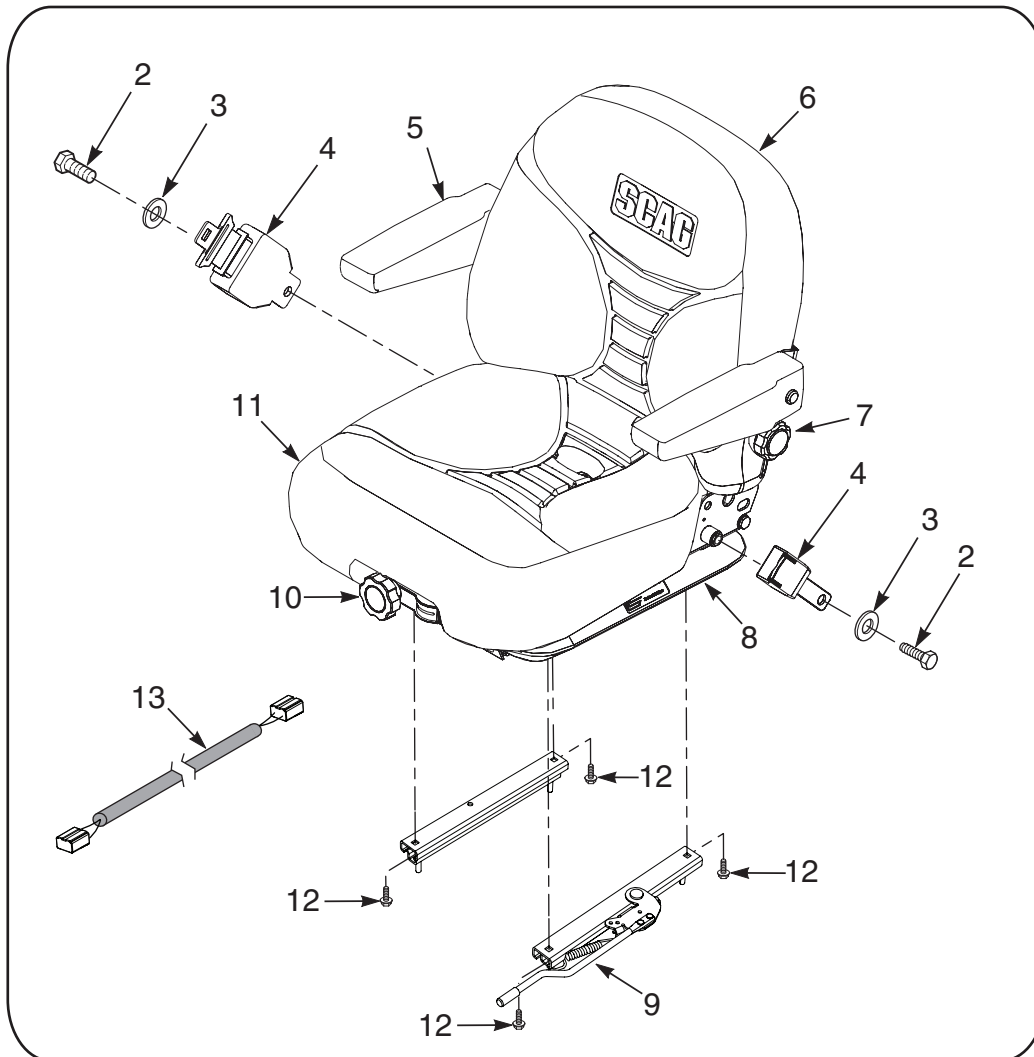
STT ROLL-OVER PROTECTION SYSTEM



STT ROLL-OVER PROTECTION SYSTEM

Ref. No.	Part No.	Description
1	462210	STT, ROPS
2	04001-87	Bolt, Hex Head 1/2-13 x 4"
3	04021-19	Nut, Center Lock 1/2-13
4	04040-13	Flatwasher, 1/2-.562 x 1.375 x .109
5	484168	Pin Assembly (incl. #9 & #10)
6	04001-163	Bolt, Hex Head 1/2-13 x 3-3/4"
7	04021-19	Nut, Center Lock 1/2-13
8	484166	Stop Bracket, ROPS
9	484170	Spring, ROPS
10	484169	Clip, ROPS
11	484167	Spring Clip, ROPS

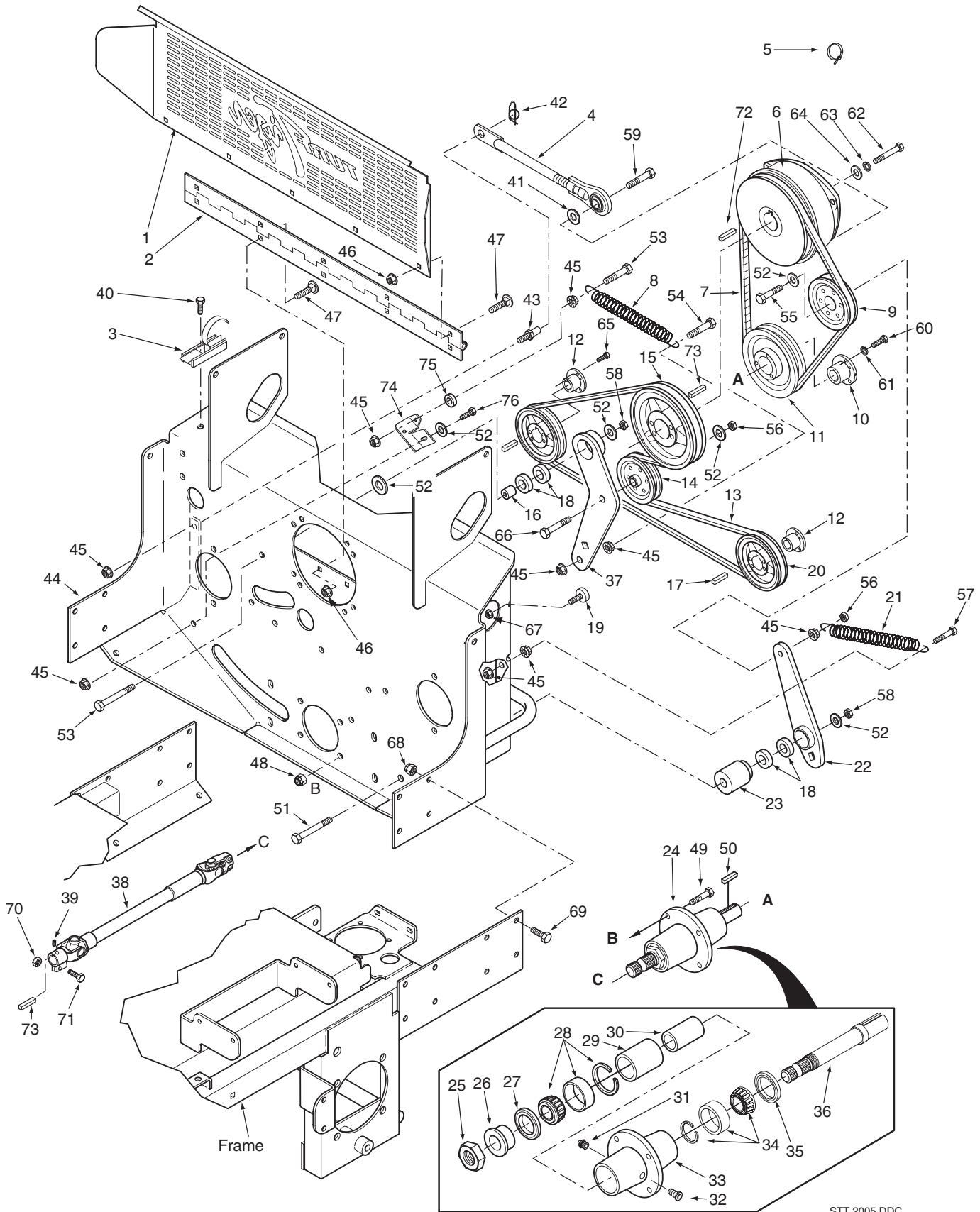
STT SUSPENSION SEAT



Ref. No.	Part No.	Description
1	9292	Suspension Seat Assembly w/seat belt
2	04001-178	Bolt, Hex Head 7/16-20 x 1"
3	04040-11	Flatwasher, 7/16-.500 x 1.25 x .083
4	483594	Retractable Seat Belt
5	482950	Armrest Only
	482945	Armrest Assembly Kit, LH
	482946	Armrest Assembly Kit, RH
6	482940	Back Cushion Kit
7	482943	Lumbar Kit
	482948	Knob Kit
8	482942	Shock Absorber Kit
9	482952	Seat Adjustment, Track Set
10	482944	Weight Adjustment Kit
	482948	Knob Kit
11	482941	Seat Cushion Kit
		Seat Drain Kit (Included with Seat Cushion)
12	04001-12	Bolt, Hex Head 5/16-18 x 1-3/4"
13	483440	Wire Harness Adapter

NOTES

DECK DRIVE COMPONENTS



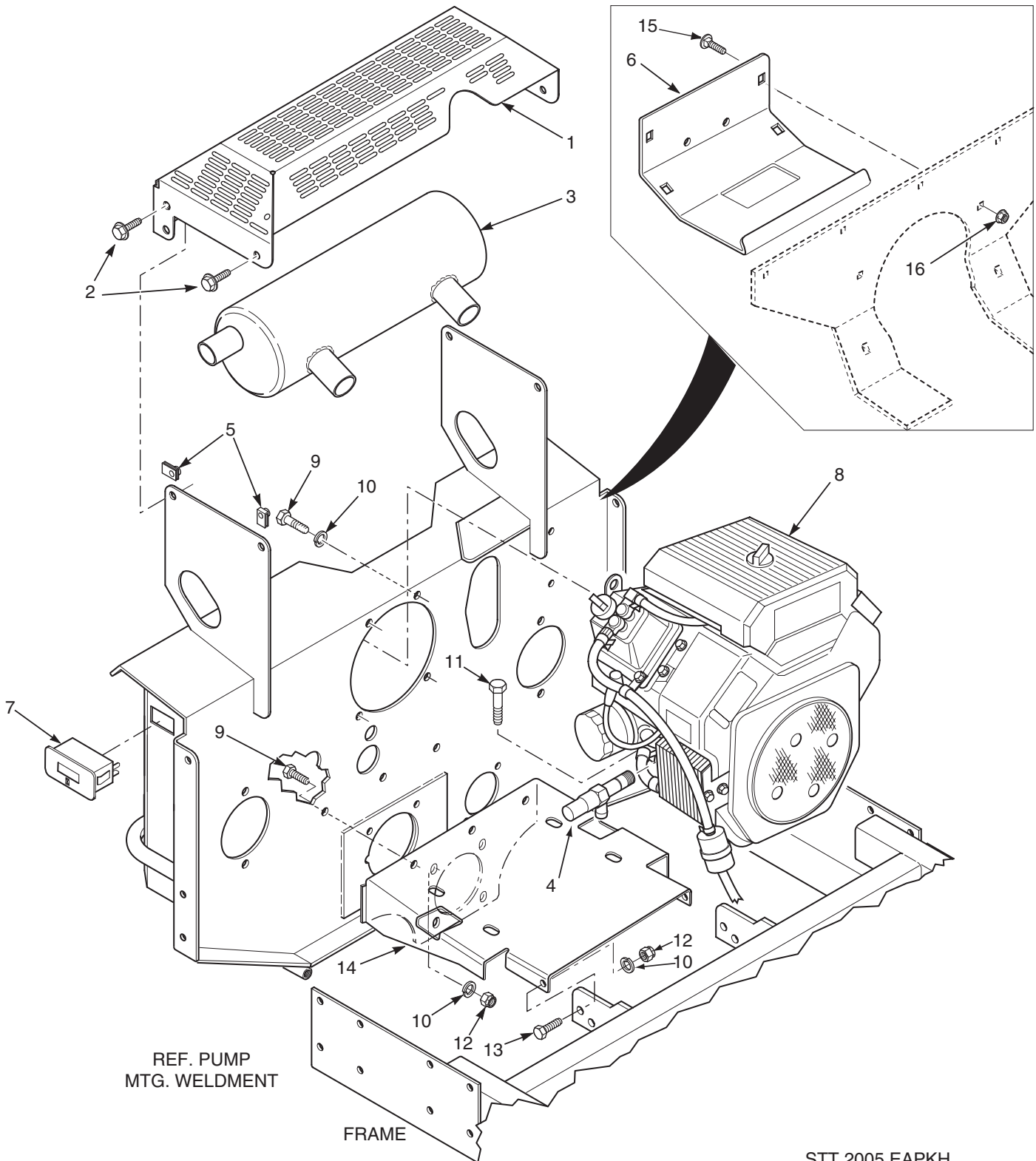
STT 2005 DDC

DECK DRIVE COMPONENTS

Ref. No.	Part No.	Description
1	423925	Belt Guard, Rear
2	481531	Hinge, Belt Guard
3	481309	Latch, Hood
4	482845	Rod Assembly, Clutch Anti-Rotation
5	48030-09	Clamp, Cable
6	461661	Clutch, Ogura GT-3.5
7	482876	Belt, Deck Drive
8	483088	Spring, Transmission Idler
9	48181	Pulley, Idler 5" Dia.
10	481536	Tapered Hub, 1" Bore
11	482949	Pulley, 6.70" Tapered Bore
12	481884	Tapered Hub, 17mm Bore
13	483165	Belt, Pump Drive STT
14	483214	Pulley, Idler 4" Dia.
15	483082	Pulley, 4.55" Dia.-1.125" Bore
16	43631	Spacer, Idler Bearing
17	04063-14	Key, 5.0 x 5.0 x 25mm
18	48224	Ball Bearing
19	481284	Bumper, Rubber
20	482745	Pulley, 6.35" O.D.
21	482667	Spring, PTO
22	461609	Idler Arm Weldment, PTO Drive
23	43632	Pivot, Idler PTO
24	461697	Spindle Assembly, Deck Drive
25	481035	Nut, 1.06"-18 Thread
26	43297	Spindle Bushing, Bottom
27	481025	Seal, 2.0" OD x 1.625" Bore
28	481022	Roller Bearing Tapered
29	43312	Spacer, Outside
30	43296	Spacer, Inside
31	48114-04	Grease Fitting, 1/4-28
32	48677	Relief Fitting
33	43644	Spindle Housing
34	481022	Roller Bearing Tapered
35	481024	Seal, 2.0" OD x 1.5" Bore
36	43534	Shaft, Deck Drive
37	461608	Idler Arm Weldment, Pump Drive
38	482424	Driveshaft (Air-Cooled Engine)
39	04012-08	Set Screw, 3/8-16 x 3/4" Torx Socket
40	04011-11	Screw, #10-32 x .56"
41	04041-07	Flatwasher, 3/8 (.391 x .938 x .105")
42	04069-01	Pin, Rue Cotter 3/8" Dia.
43	43507	Stud, Anti Rotation
44	452105	Pump Mounting Plate Weldment (STT-25CH-LP)
45	04019-04	Nut, Serrated Flange 3/8-16

Ref. No.	Part No.	Description
46	04019-02	Nut, Serrated Flange 1/4-20
47	04003-07	Bolt, Carriage 1/4-20 x 1/2"
48	04021-22	Nut, Elastic Stop 5/16-18 Grade 8
49	04001-176	Bolt, Hex Head 5/16-18 x 1-3/4" Grade 8
50	04063-06	Key, 1/4 x 1/4 x 1-1/2"
51	04001-171	Bolt, Hex Head 3/8-16 x 4-1/2" Grd 8 Black
52	04043-04	Washer, 3/8" Hardened
53	04001-135	Bolt, Hex Head 3/8-16 x 1-3/4" Grd 8 Black
54	04001-136	Bolt, Hex Head 3/8-16 x 1-1/2" Grd 8 Black
55	04001-170	Bolt, Hex Head 3/8-16 x 2-1/2" Grd.8
56	04021-05	Nut, Center Lock 3/8-16
57	04001-136	Bolt, Hex Head 3/8-16 x 1-1/2" Grd 8 Black
58	04021-09	Nut, Elastic Stop 3/8-16
59	04001-45	Bolt, Hex Head 3/8-16 x 2"
60	04001-109	Bolt, Hex Head 1/4-20 x 1-3/8"
61	04030-02	Lockwasher, 1/4" Spring
62	04001-101	Bolt, Hex Head 7/16-20 x 2-1/2" UNF
63	04030-05	Lockwasher, 7/16" Spring
64	04041-28	Flatwasher, 7/16 (.469 x 1.75 x .25")
65	04001-172	Bolt, Hex Head 1/4-20 x 1" Grade 8
66	04001-21	Bolt, Hex Head 3/8-16 x 1-3/4"
67	04019-03	Nut, Serrated Flange 5/16-18
68	04021-09	Nut, Elastic Stop 3/8-16
69	04001-19	Bolt, Hex Head 3/8-16 x 1"
70	04021-05	Nut, Center Lock 3/8-16
71	04001-21	Bolt, Hex Head 3/8-16 x 1-3/4"
72	04063-02	Key, 1/4 x 1/4 x 2-1/4"
73	04063-20	Key, 1/4 x 1/4 x 1"
74	424138	Bracket
75	43063	Spacer
76	04001-19	Bolt, Hex Head 3/8-16 x 1"

ENGINE AND ATTACHING PARTS - KOHLER LP

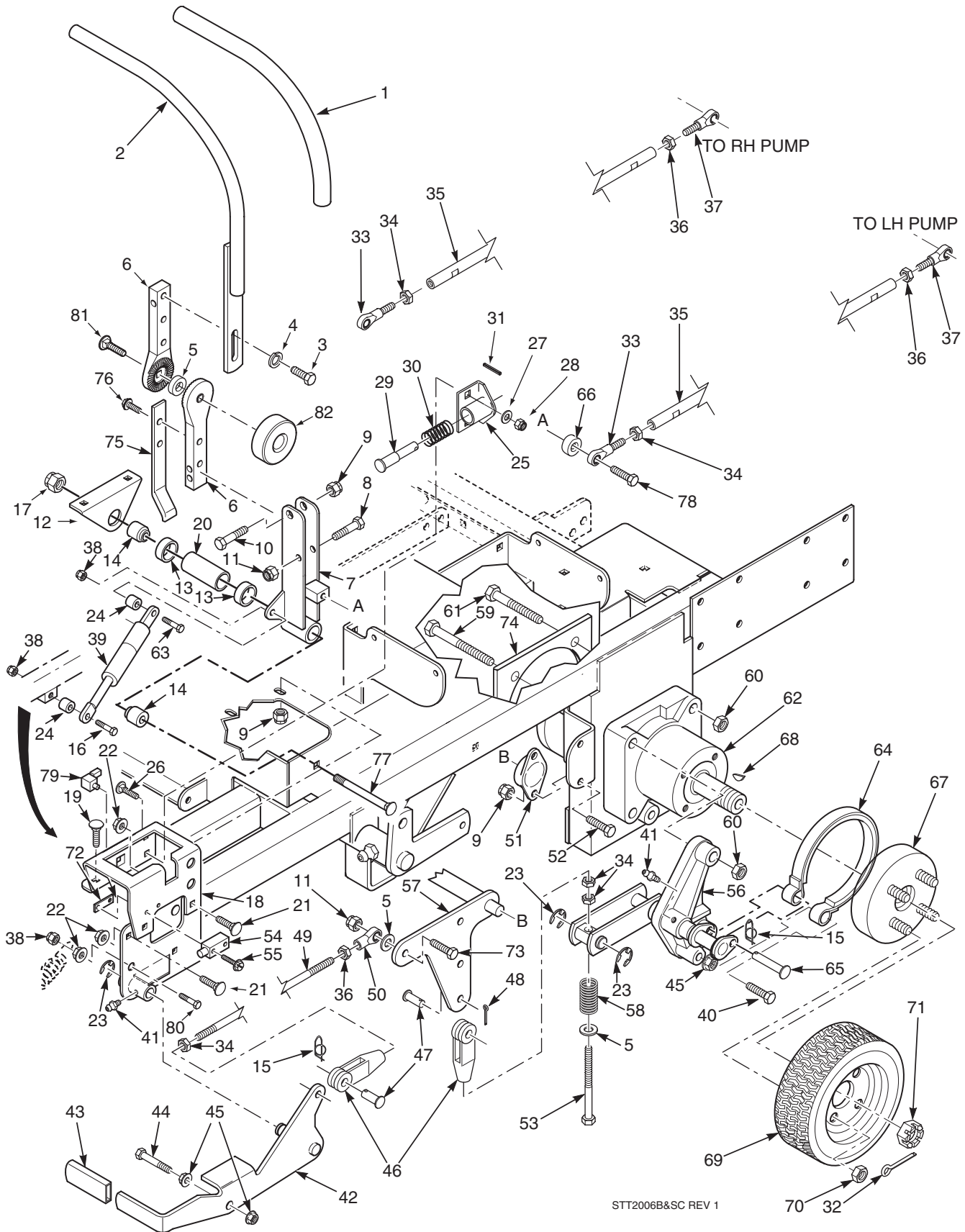


ENGINE AND ATTACHING PARTS - KOHLER LP

Ref. No.	Part No.	Description
1	422593	Muffler Guard
2	04017-05	Screw, Hex Serrated Flange 1/4-20 x 3/4"
3	**	Muffler, Part Of Engine (Available only through Kohler)
4	482510	Oil Drain Extension
5	04110-01	U-Nut, 1/4-20
6	424691	Rear Cover
7	483537	Hour Meter
8	484052**	Engine, Kohler 25 CH LP (Available only through Kohler, Eng. Spec. PS-CH730-0220)
9	04001-19	Bolt, Hex Head 3/8-16 x 1"
10	04030-04	Lockwasher, 3/8" Spring
11	04001-21	Bolt, Hex Head 3/8-16 x 1-3/4"
12	04021-09	Nut, Hex Elastic Stop 3/8-16
13	04001-32	Bolt, Hex Head 3/8-16 x 1-1/4"
14	451459	Plate, Engine Mounting
15	04003-12	Bolt, Carriage 5/16-18 x 3/4"
16	04019-03	Nut, Hex Serrated Flange 5/16-18

** Available through the individual engine manufacturer.

BRAKE AND STEERING COMPONENTS

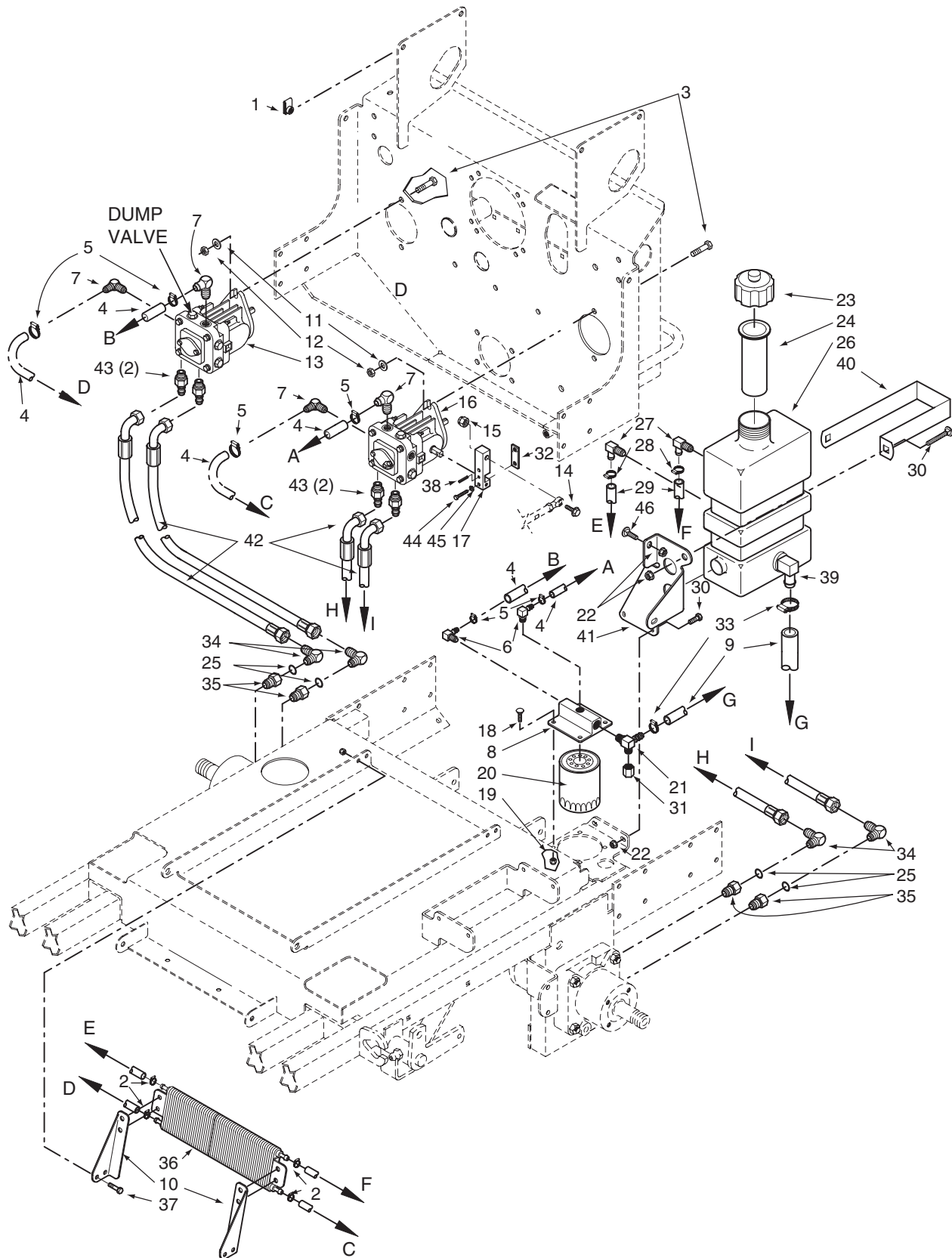


BRAKE AND STEERING COMPONENTS

Ref. No.	Part No.	Description
1	482340	Grip, Handle Bar
2	461914	Handle Bar, LH (Includes item 1)
	461923	Handle Bar, RH (Includes item 1)
3	04001-09	Bolt, Hex Head 5/16-18 x 1"
4	04030-03	Lockwasher, 5/16"
5	483250	Rubber Spacer
6	483238	Bar, Control Lever
7	451483	Control Lever Weldment, LH
	451484	Control Lever Weldment, RH
8	04001-17	Bolt, Hex Head 5/16-18 x 2"
9	04021-10	Nut, Hex Elastic Stop 5/16-18
10	04001-45	Bolt, Hex Head 3/8-16 x 2"
11	04021-09	Nut, Hex Elastic Stop
12	423488	Mount, Control Linkage
13	48224	Ball Bearings, Neutral Return
14	43607	Spacer
15	04069-01	Pin, Rue Cotter 3/8" Dia.
16	04001-13	Bolt, Hex Head, 5/16-18 x 2.75" Zinc
17	04021-13	Nut, Hex Elastic Stop 5/8-11
18	461601	Bracket, Control Lever LH
	461602	Bracket, Control Lever RH
19	04003-04	Bolt, Carriage 5/16-18 x 1"
20	43600	Spacer, Bearing
21	04003-12	Bolt, Carriage 5/16-18 x 3/4"
22	04019-03	Nut, Hex Serrated Flange 5/16-18
23	04050-01	Ring, Retaining 5/8" External "E"
24	43602	Spacer
25	45918	Bracket, Neutral Return
26	04003-02	Bolt, Carriage 1/4-20 x 3/4"
27	04040-14	Flatwasher, 1/4" (.312 x .750 x .065")
28	04021-08	Nut, Hex Elastic Stop 1/4-20
29	43477	Pin, Retaining Spring
30	481389	Spring
31	04060-01	Roll Pin, Spring 5/32" x 3/4"
32	04061-06	Pin, Cotter 9/16" x 1-1/2"
33	482586	Rod End, Male 3/8"-24 RH Thread
34	04020-25	Nut, 3/8"-24 RH Thread
35	43629	Tube, Control Link Air-Cooled Engine
	43624	Tube, Control Link Liquid-Cooled Engine
36	04020-26	Nut, Hex 3/8"-24 LH Thread
37	482585	Rod End, Male 3/8"-24 LH Thread
38	04021-10	Locknut, 5/16-18, Elastic Stop
39	482794	Gas Damper
40	04001-187	Bolt, Hex Head 1/2-13 x 2-1/2" Grade 8
41	48114-04	Grease Fitting
42	461082	Lever, Parking Brake (Includes item 43)
43	481548	Grip, Parking Brake
44	04001-22	Bolt, Hex Head 3/8-16 x 2-3/4"
45	04019-06	Nut, Hex Serrated Flange 1/2-13

Ref. No.	Part No.	Description
46	48343-04	Clevis, Traction Control
47	04064-02	Pin, Clevis 3/8-16 x 1-1/16"
48	04061-02	Pin, Cotter 3/32 x .75"
49	04004-34	Rod, Parking Brake
50	48544	Rod End, LH Thread
51	48796	Bushing, Self Align
52	04001-08	Bolt, Hex Head 5/16-18 x 3/4"
53	04001-147	Bolt, Hex Hd 3/8-24 x 5-1/4", 23/4" Thrd
54	481637	Switch
55	04010-12	Screw, Hex-Slotted Washer Head #10 32 x 3/4"
56	462100	Brake Linkage, LH
	462101	Brake Linkage, RH
57	45953	Bellcrank, Brake Actuator
58	48807	Spring
59	04001-163	Bolt, Hex Head 1/2-13 x 3-3/4"
60	04021-19	Locknut, Hex 1/2-13 Center Lock
61	04001-52	Bolt, Hex Head 1/2-13 x 2-1/2"
62	482639	Wheel Motor, Ross
63	04001-12	Bolt, Hex Head, 5/16-18 x 1.75", Zinc
64	483644	Brake Band Assembly
65	04064-16	Pin, Clevis 3/8" Dia. x 1.93"
66	43063	Spacer
67	461438	Wheel Hub/Brake Drum Assembly
68	04063-25	Key, Woodruff 5/16 x 1"
69	481552	Wheel Assembly 23 x 10.5-12 (52" Only)
	481659	Rim W/Valve Stem (52" Only)
	481660	Tire, 23 x 10.5-12 (52" Only)
	481850	Wheel Assembly 24 x 12-12 Turf Master
	481851	Rim W/Valve Stem
	481852	Tire, 24 x 12-12 Turf Master
70	04028-02	Lug Nut, 1/2-20
71	48680	Nut, Hex Castle
72	422373	Threaded Plate
73	04001-20	Bolt, Hex Head 3/8-16 x 1-1/2"
74	423279	Plate Weldment, Motor Backing
75	423491	Actuator Switch
76	04017-16	Bolt, Hex Serrated Flange 5/16-18 x 3/4"
77	04003-36	Bolt, Carriage 3/8-16 x 4-3/4"
78	04001-19	Bolt, Hex Head 3/8-16 x 1"
79	481638	Switch
80	04001-168	Bolt, Hex Head 3/8-16 x 1-1/4" Grade 8
81	04003-38	Bolt, Carriage 5/16-18 x 1-1/2"
82	483269	Knob

HYDRAULIC SYSTEM - KOHLER LP



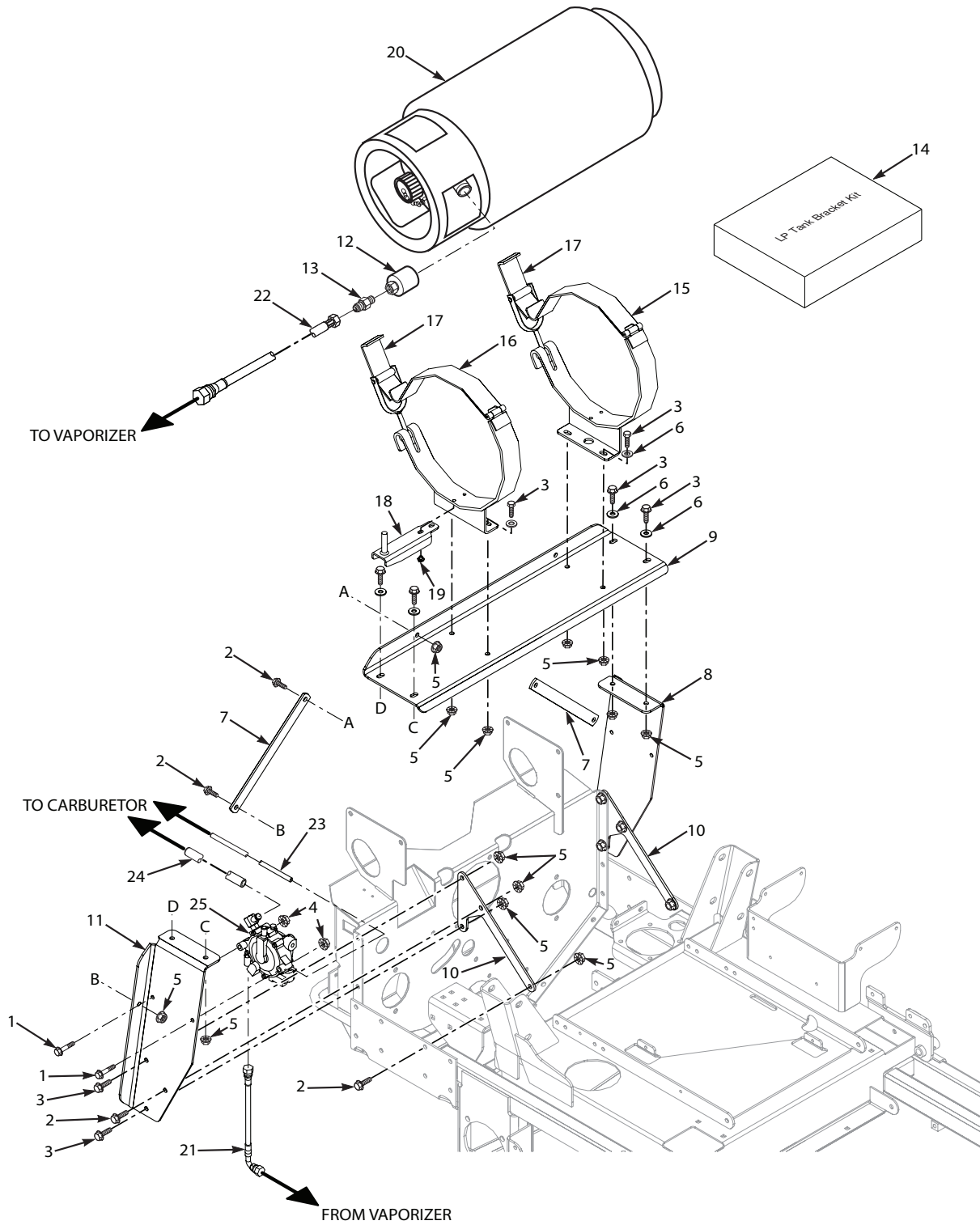
2009 STF-25CH-LP HS.eps

HYDRAULIC SYSTEM - KOHLER LP

Ref. No.	Part No.	Description
1	04110-01	U-Nut 1/4-20
2	48136-13	Hose Clamp, 0.69" Dia.
3	04001-03	Bolt, Hex Head 1/4-20 x 2.0"
4	48811	Hose, 3/8" ID Pushlock - (order by inch)
5	48136-07	Clamp, Hose 1/2"
6	481301-03	Elbow, 90 Degree - 1/4" NPT x 3/8" Hose
7	482266-01	Elbow, 90 Degree - 9/16" O-Ring x 3/8" Hose
8	48471-02	Oil Filter Base
9	482606	Hose Assembly, 1/2" ID (Tank to Filter Base)
10	423524	Mounting Bracket - LH, Oil Cooler
	423525	Mounting Bracket - RH, Oil Cooler
11	04043-04	Flatwasher, 3/8" (.391 x .938 x .105") Grade 8
12	04021-09	Nut, Hex Elastic Stop 3/8-16
13	482696	Pump, Right Hand
14	04001-32	Bolt, Hex Head, 3/8-16 x 1-1/4"
15	04021-09	Nut, Hex, Elastic Stop 3/8-16
16	482695	Pump, Left Hand
17	481793	Block, Pump Control
18	04001-09	Bolt, Hex Head 5/16-18 x 1.0" Zinc
19	04019-03	Nut, Serrated Flange 5/16-18
20	48758	Oil Filter
21	482483	Tee, 3/4" O-Ring x JIC x 1/2" Hose
22	04021-08	Nut, Hex Elastic Stop 1/4-20
23	481164	Cap, Hydraulic Tank
24	481507	Insert, Filler Neck
25	48603-02	O-Ring
26	461451	Oil Reservoir Assembly (incl. 24, 27, 39)
27	482572	Elbow, 90 Degree .38" Hose
	482571	Bushing, .56" Dia. Viton
28	48136-13	Hose Clamp, 0.69" Dia.
29	48811	Hose, 3/8" ID, Pushlock (order by inch)
30	04010-10	Screw, Phillips Head, 1/4-20 x 2"
31	48571-02	Cap
32	422694	Clamp Plate, Pump Control
33	48136-05	Clamp, Hose
34	48350-02	Elbow, 90 Degree, 1/2" x 1/2"
35	48938-02	Bushing, 7/8"-14 JIC x 3/4"-16 O-Ring
36	482505	Cooler, Oil
37	04001-08	Bolt, Hex Head 5/16-18 x 3/4"
38	04060-09	Roll Pin, Spring 3/16 x 3/4"
39	482574	Elbow, 90 Degree
	482573	Bushing, .78" Dia. Viton
40	423513	Strap, Hydraulic Tank

Ref. No.	Part No.	Description
41	423485	Support Bracket, Hydraulic Tank
42	481611	Hose Assembly, Pump
43	48572-04	Union, 3/4"-16 JIC x 3/4"-16 O-Ring
44	04001-59	Bolt, Hex Head, 1/4-20 x 1-1/4"
45	04030-02	Lockwasher, 1/4" Spring
46	04001-01	Bolt, Hex Head 1/4-20 x 3/4"

LP SYSTEM - KOHLER

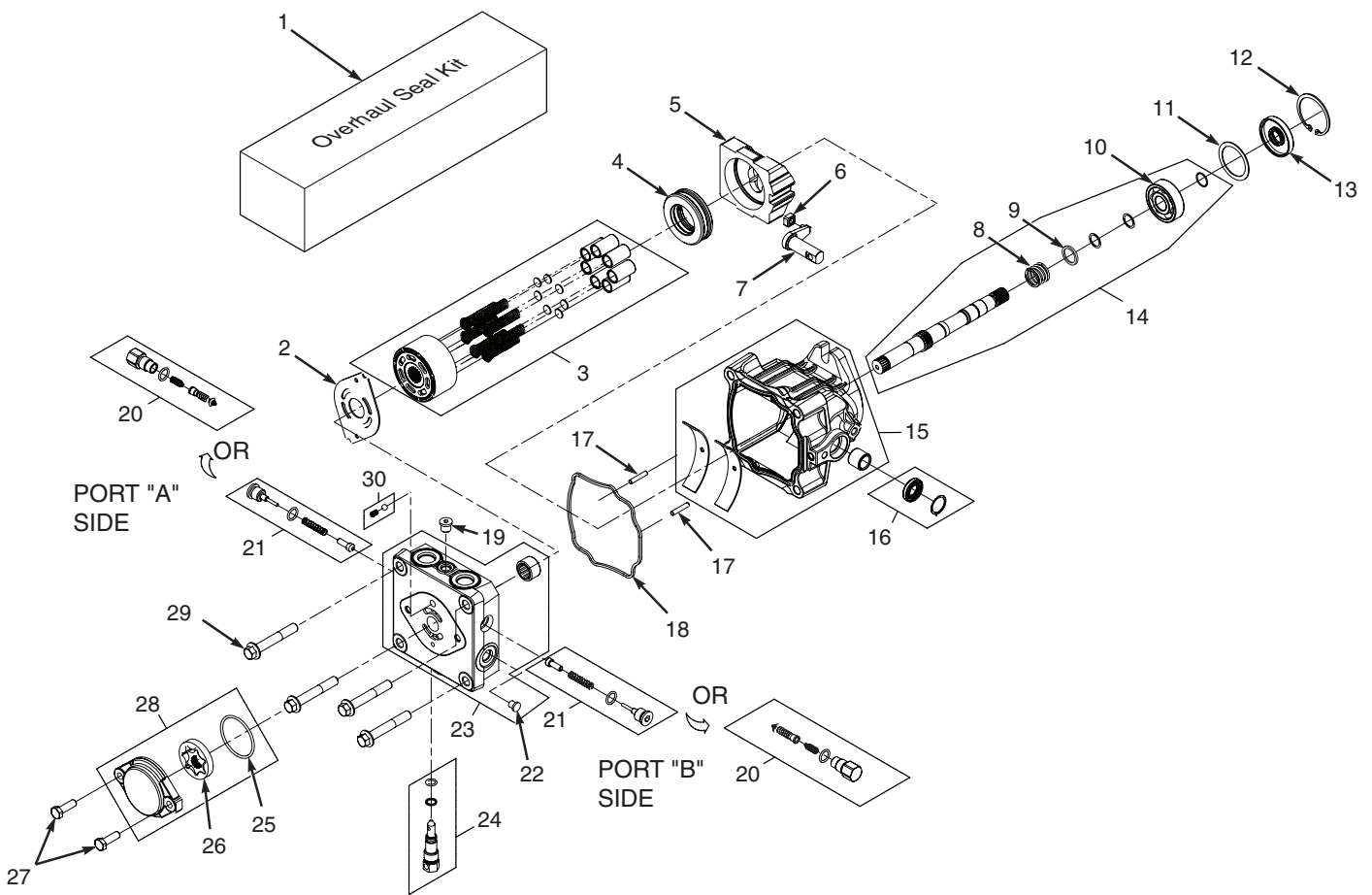


LP SYSTEM - KOHLER

Ref. No.	Part No.	Description
1	04001-12	Bolt, Hex Head 5/16-18 x 1-3/4"
2	04001-18	Bolt, Hex Head 3/8-16 x 3/4"
3	04001-19	Bolt, Hex Head 3/8-16 x 1"
4	04019-03	Nut, Serrated Flange 5/16-18
5	04019-04	Nut, Serrated Flange 3/8-16
6	04041-07	Flatwasher, 3/8-.391 x .938 x .105
7	422386	Brace
8	425254	Mounting Bracket, Tank Support LH
9	425261	Support, LP Tank
10	425262	Brace, LP Tank Mounting Bracket
11	425263	Mounting Bracket, Tank Support RH
12	483888	LP Quick Coupler
13	483889-01	Adapter Fitting, 9/16-18 SAE x 1/4" Pipe
14	483903	Mounting Bracket Kit (incl. # 15, 16, 17, 18, 19)
15	483909	Mounting Bracket, LP Tank Front
16	483910	Mounting Bracket, LP Tank Rear
17	483911	Handle, LP Tank Mounting Bracket
18	483912	Bracket, LP Tank Locator
19	484000	Bolt, Hex Head 1/4-20 x 3/8" Locking
20	483899	LP Tank
21	484033	LP Fuel Line, 10"
22	484034	LP Fuel Line, 32"
23	**	Hose
24	**	Hose
25	**	LP Regulator

** Available through the individual engine manufacturer.

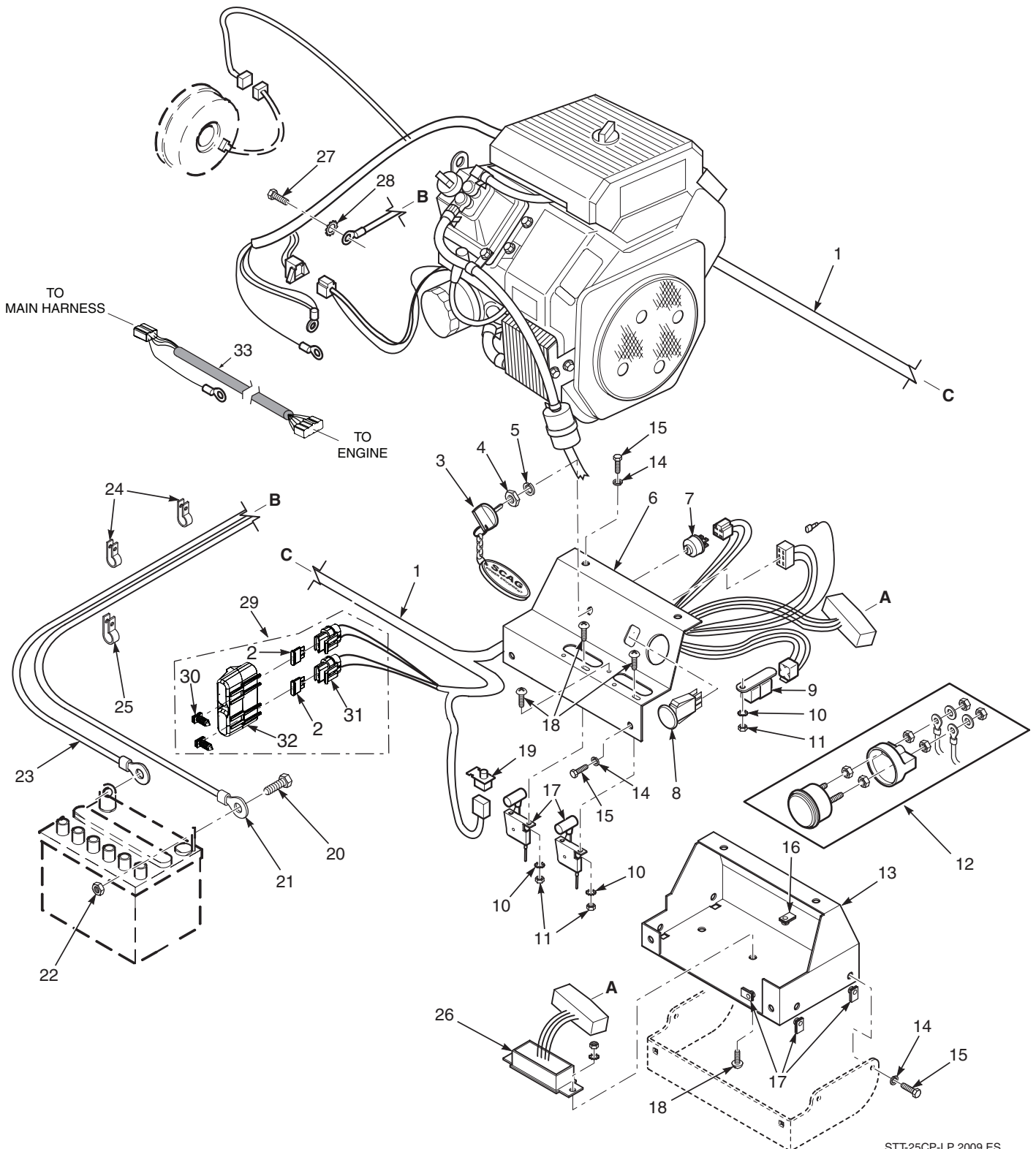
BDP-16A HYDRAULIC PUMP ASSEMBLY



BDP-16A HYDRAULIC PUMP ASSEMBLY

Ref. No.	Part No.	Description
1	HG70740	Overhaul Seal Kit
2	HG51455	Valve Plate
3	HG70735	Cylinder Block Kit - 16cc
4	HG51462	Thrust Ball Bearing Assembly
5	HG51436	Variable Swashplate
6	HG2000015	Slot Guide
7	HG2000014	Trunnion Arm
8	HG2000025	Block Spring
9	HG2000024	Block Thrust Washer
10	HG2000032	Shaft Ball Bearing
11	HG2000023	Spacer
12	HG2000038	Retaining Ring
13	HG51092	Seal
14	HG70581	Kit, Pump Shaft
15	HG70738	Housing Kit
16	HG70739	Trunnion Seal Kit
17	HG50641	Pin
18	HG51437	O-Ring
19	HG9005110-7500	Straight Thread Plug
20	HG70743	Shock Valve Kit (.031 Orifice)
21	HG70742	Shock Valve Kit (.024 Orifice)
22	HG9005200-7500	Straight Thread Plug
23	HG70736	End Cap Kit
24	HG2513030	Bypass Valve Kit
25	HG9004100-1430	O-Ring
26	HG50406	Gerotor Assembly (.19 cu.in./rev.)
27	HG50173	Socket Head Cap Screw (M8 x 1.25-25mm)
28	HG2510071	Charge Pump Kit (.19 STD. Splined)
29	HG51457	Hex Screw, Flanged Head (M10 x 1.50-65mm)
30	HG70402	Charge Relief Kit

ELECTRICAL SYSTEM - KOHLER LP



STT-25CP-LP 2009 ES

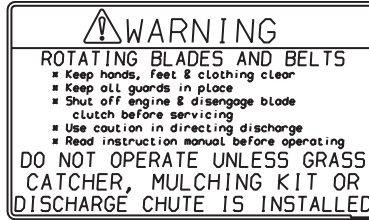
ELECTRICAL SYSTEM - KOHLER LP

Ref. No.	Part No.	Description
1	483623	Wire Harness, STT Air-Cooled
2	48298	Fuse, 20 AMP
3	483366	Key, Ignition
	462069	Key Assembly w/Fob
4	48017-04	Nut, Hex 5/8-32
5	48017-03	Lockwasher, 5/8" Internal
6	461916	Instrument Panel, Top w/Decals
7	48798	Key Switch
8	483957	Switch, PTO
9	483013	Relay
10	04031-01	Lockwasher, #10 External Tooth
11	04020-01	Nut, Hex #10-32
12	481755	Ammeter
13	451879	Base, Instrument Panel
14	04030-02	Lockwasher, 1/4"
15	04001-01	Bolt, Hex Head 1/4-20 x 3/4"
16	04110-01	U-Nut, 1/4-20
17	481544	Throttle And Choke Controls (Kohler)
18	04010-01	Screw, Phillips Washer Head #10-32 x 1/2"
19	481638	Switch, Interlock-Seat
20	04001-44	Bolt, Hex Head 1/4-20 x 1/2"
21	48029-22	Cable, Battery - Red
22	04020-02	Nut, Hex 1/4-20
23	48029-11	Cable, Battery - Black
24	48030-09	Clamp, Cable 1/2" ID.
25	48136-05	Clamp, Cable 3/4" ID.
26	483599	Electronic Module
27	04002-12	Bolt, Hex Head M8-1.25 x 20mm
28	04031-03	Lockwasher, 5/16" External Tooth
29	483642	Double Fuse Assembly, Sealed (Incl. items 2, 42, 43, 44)
30	482588	Clip, Wire
31	483629	Fuse Holder
32	483571	Cover, Sealed Double
33	484078	Wire Harness Adapter, Kohler

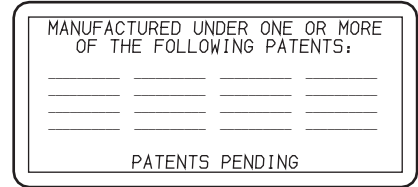
REPLACEMENT DECALS AND INFORMATION PLATES



1



2



3



4

California Only

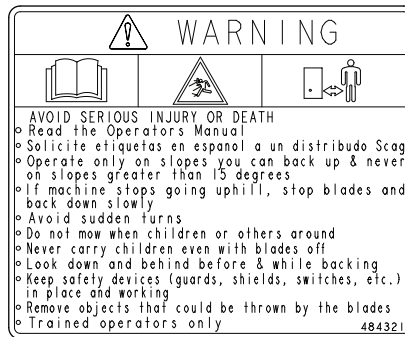


5



481568

6



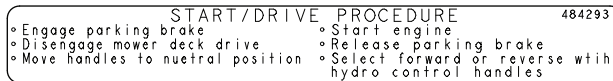
18



8



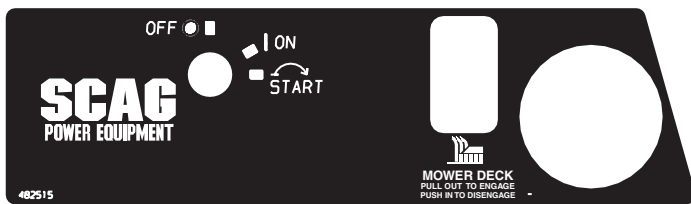
9



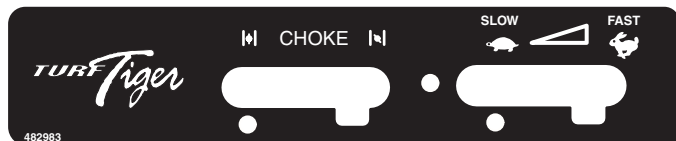
10



11



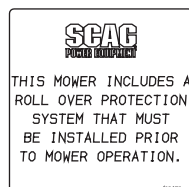
12



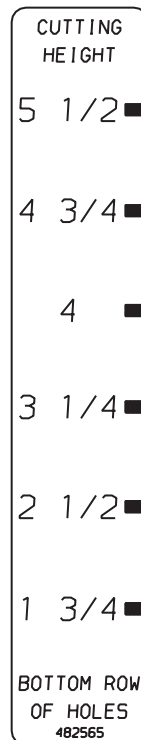
13



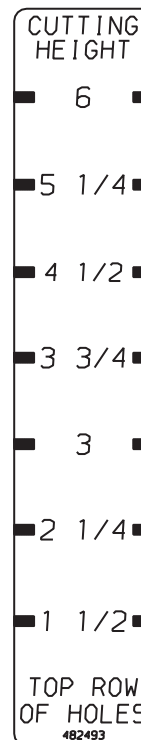
14



15



16



17

2011 STT-25CH-LP Decals 1

REPLACEMENT DECALS AND INFORMATION PLATES

Ref. No.	Part No.	Description	Ref. No.	Part No.	Description
1	483407	Decal, Danger-Spinning Blades	21	483405	Decal, Warning
2	483406	Decal, Warning-Rotating Blades	22	483229	Decal, Turf Tiger
3	483044	Decal, Patents	23	483727	Decal, Scag Logo
4	483900	Decal, Warning Spark Arrestor	24	48404	Decal, Metalcraft-Made In USA
5	483200	Decal, 52" Velocity Plus	25	484070	Decal, Turf Tiger Propane
	483201	Decal, 61" Velocity Plus	26	481664	Decal, Stripes-RH
6	481568	Decal, Traction Control	**	461982	Spanish Decal Kit, STT
7	481663	Decal, Stripes-LH	**	01411	DVD Video, Tips for Safe Operation of Your Scag Zero-Turn Mower (not shown)
8	481971	Decal, Heavy Duty Commercial			
9	483402	Decal, Belt Cover			
10	484293	Decal, Start / Drive			
11	483425	Decal, ROPS			
12	482515	Decal, Instrument Panel - Upper			
13	482983	Decal, Instrument Panel - Lower			
14	483633	Decal, Seat Replacement			
15	483158	Decal, ROPS			
16	482565	Decal, Cutting Height - Lower			
17	482493	Decal, Cutting Height - Upper			
18	484321	Decal, Start/Drive Procedure			
19	484320	Decal, STT Adjustments			
20	482577	Decal, Turf Tiger			

IMPORTANT ADJUSTMENT PROCEDURES
 READ OPERATORS MANUAL FOR MORE DETAILS
 Check tire pressure - (Drive tires-12 psi, Caster tires-Flat Free)

HYDRAULIC FLUID LEVEL
 Check hydraulic fluid level while fluid is cool. Fluid level should be 3" below top of filler neck. Fill with SAE 20w50 motor oil only.

IMPORTANT
 Do not overfill. Room for hot fluid expansion must be allowed or resulting expansion may cause leaks in the system

Gearbox Lubricant:
 SAE 80W90 gear oil

IMPORTANT
DRIVESHAFT MAINTENANCE
 Grease yokes 3-4 pumps Every 200 hours

NEUTRAL ADJUSTMENT
 Loosen jam nuts
 Rotate turnbuckle
 With an operator in the seat, engine running, control levers in neutral and the parking brake disengaged - adjust control linkage. Loosen jam nuts. If wheel rotates forward, adjust turnbuckle CCW. If wheel rotates rearward, adjust turnbuckle CW. Adjust until drive wheel stops turning. Tighten jam nuts. Repeat for opposite side.

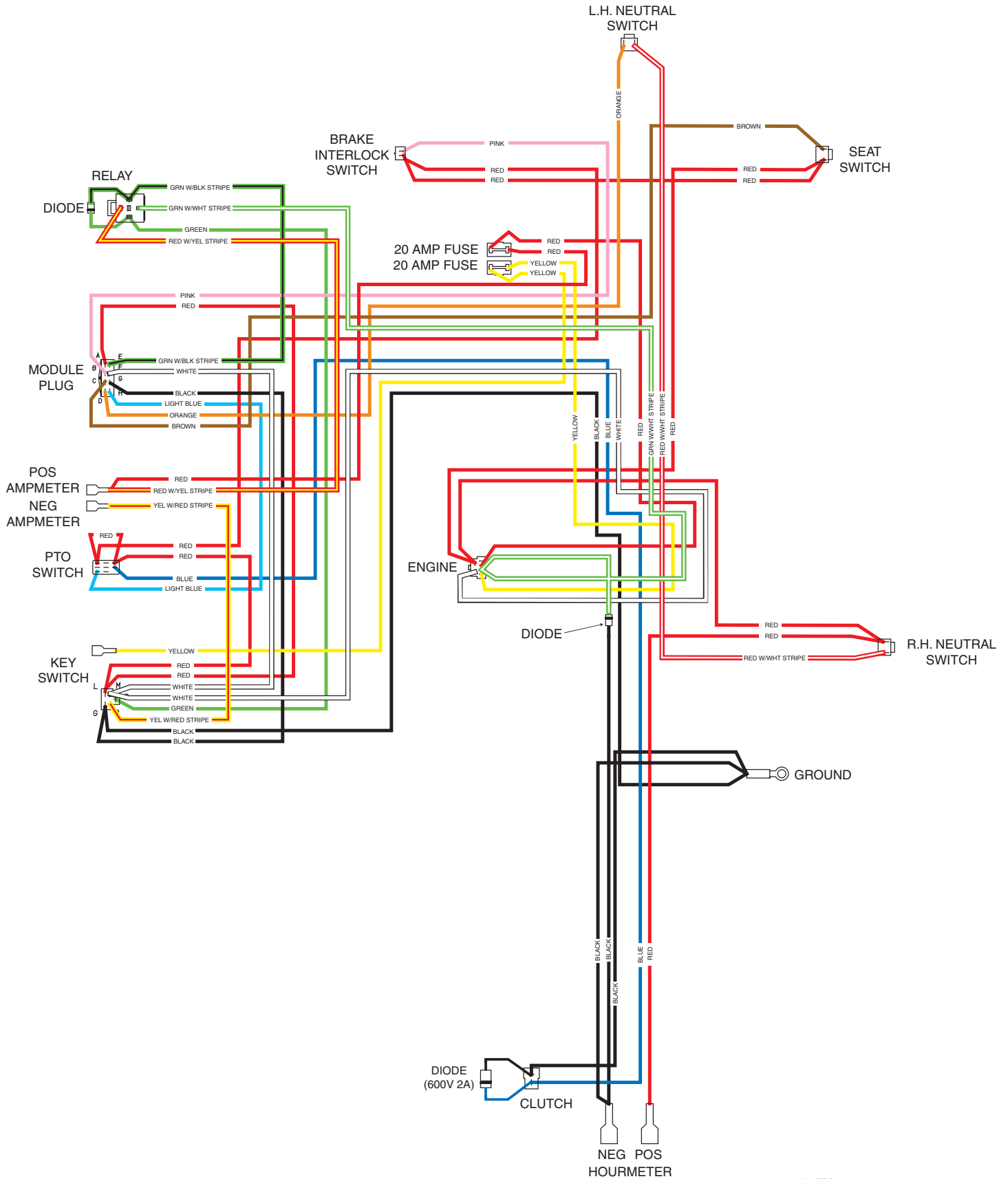
TRACKING ADJUSTMENT
 If the machine pulls to the right, adjust LH control linkage CCW to slow left wheel. If the machine pulls to the left, adjust RH control linkage CW to slow right wheel. Readjust neutral if necessary.

FREE WHEEL OPERATION
 To move machine without running the engine, rotate both dump valves located at the LH side of the pumps CCW 1/2 turn to "FreeWheel" positions. Return dump valves to original position to operate the mower. Tighten to 7-10 ft-lbs.

484320



ELECTRICAL SCHEMATIC - KOHLER LP



Kohler STT Schematic
Serial No. 7700001 & Higher

Free Manuals Download Website

<http://myh66.com>

<http://usermanuals.us>

<http://www.somanuals.com>

<http://www.4manuals.cc>

<http://www.manual-lib.com>

<http://www.404manual.com>

<http://www.luxmanual.com>

<http://aubethermostatmanual.com>

Golf course search by state

<http://golfingnear.com>

Email search by domain

<http://emailbydomain.com>

Auto manuals search

<http://auto.somanuals.com>

TV manuals search

<http://tv.somanuals.com>