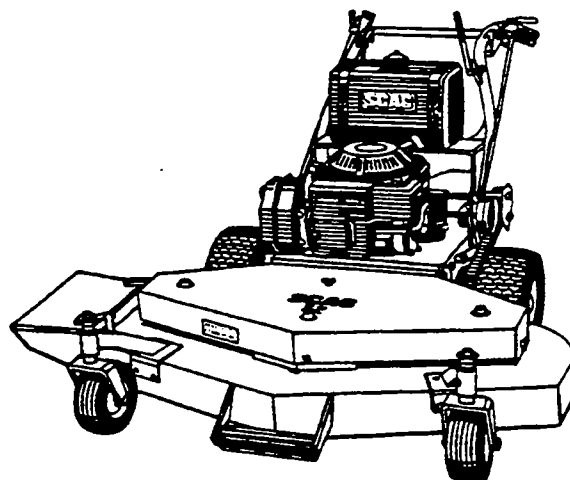
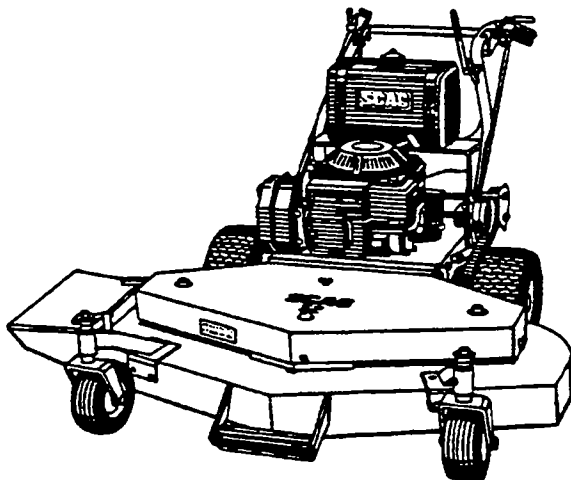


# SCAG

POWER EQUIPMENT



## KEY IDENTIFYING FEATURES

ALL UNITS LISTED

3 GALLON METAL FUEL TANK  
4 SPEED 700-013 TRANSMISSION  
NO OPERATOR PRESENCE CONTROL  
(OPTIONAL SEE SB 30)

## MODEL#

SW32-12B

SW36-8J

SW36-12B

SW36-13K

SW48-12B

SW48-13K

SW-13K

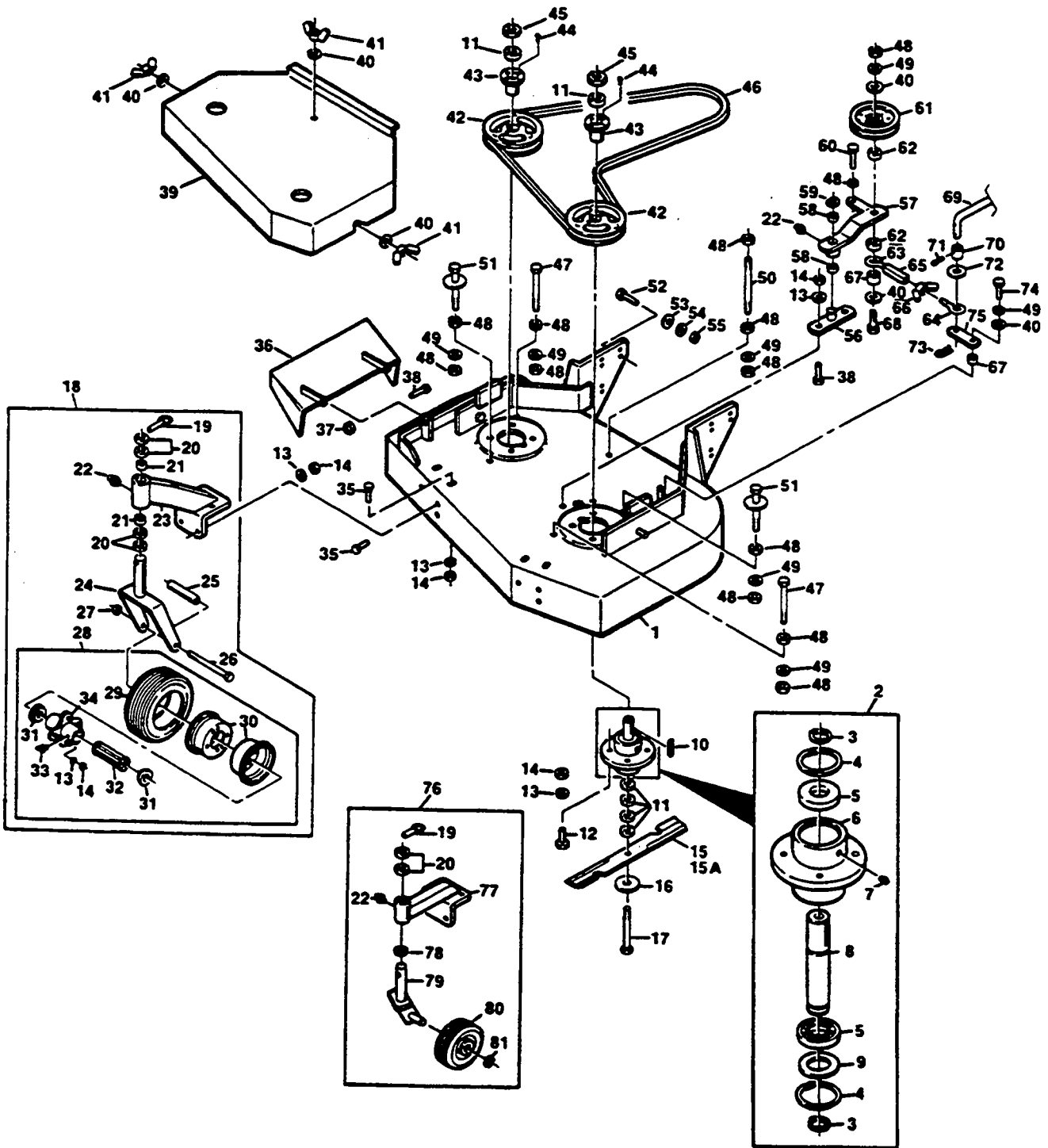
SW-18KH

SWM-52

SWM-61

SWC

# 32" & 36" CUTTER DECKS



## 32" & 36" CUTTER DECK

REF. PART NO.	NO.	DESCRIPTION	SWM			REF. PART NO.	NO.	DESCRIPTION	SWM		
			32	36	36BS				32	36	36BS
1	46087	Cutter Deck Wid (incl. Decal)	x	x	x	42	48127	Pulley (incl. 43-44)	x	x	x
1	45126	Cutter Deck Wid	x			43	48141	Tapered Hub	x	x	x
2	46020	Cutter Spindle Assy (incl 3-9)	x	x	x	44	*	Hex Hd Bolt, 1/4-20 x 3/4	x	x	x
3	04050-04	Retaining Ring, 1"Ext.-Inverted	x	x	x	45	*	Hex Nut, 5/8-11	x	x	x
4	04050-07	Retaining Ring, 2-7/16 Int.bsc	x	x	x	46	48204	Belt, Blade Drive			x
5	48101-01	Bearing Cutter Spindle Upper	x	x	x	46	48278	Belt, Blade Drive	x		
5a	48101-02	Bearing Cutter Spindle Lower	x	x	x	47	*	Hex Hd Bolt, 3/8-16 x 5	x	x	x
6	41001	Spindle Housing	x	x	x	48	*	Hex Nut, 3/8-16	x	x	x
7	48114-02	Grease Fitting, Str 5/16 Serr	x	x	x	48a	*	Hex Nut, 3/8-16 Ctr Locknut	x	x	x
8	43001-02	Spindle, Cutter Blade	x	x	x	49	*	Lockwasher, Spring 3/8	x	x	x
9	04041-02	Washer, 1-5/16 x 2-13/32 x 16 ga.	x	x	x	50	04004-02	Support, Belt Cover	x	x	x
10	04063-08	Key, 1/4 x 1/4 x 2	x	x	x	51	45098	Belt Guide Wid	x	x	x
11	43038	Spacer, Cutter Blade	x	x	x	52 sm	*	Hex Hd Bolt, 7/16-14 x 1-1/4	x	x	x
12	*	Hex Hd Bolt, 5/16-18 x 1-1/4	x	x	x	53	*	Washer, 15/32 x 59/64 x 16 ga.	x	x	x
13	*	Lockwasher, Spring 5/16	x	x	x	54	*	Lockwasher, Spring, 7/16	x	x	x
14	*	Hex Nut 5/16-18	x	x	x	55	*	Hex Nut, 7/16-14 elastic stop	x	x	x
14a	*	Hex Nut 5/16-24	x	x	x	56	45037	Idler Pivot Wid	x	x	x
15	48108	Cutter Blade 18"		x	x	57 sm	46145	Idler Arm Assy. (incl. 22 & 58)	x	x	x
15	48110	Cutter Blade 16 1/2"	x			58	48100-05	Bronze Bearing	x	x	x
15a	48185	Cutter Blade 18" Hi Lift		x	x	59	04050-02	Retaining Ring, 3/4 Ext.-"E"	x	x	x
15a	48184	Cutter Blade 16 1/2" Hi Lift	x			60	04004-04	Stud	x	x	x
16	04040-10	Flat Washer, 5/8 W	x	x		61 sm	48269	Idler Pulley, Belt Clutch	x	x	x
17	04001-41	Hex Hd Bolt, 5/8-11 x 9-1/2	x	x	x	62	43063	Spacer, Idler	x	x	x
18	46079	Caster Assy. (incl.19-28)		x		63	04070-02	Eyebolt, LH	x	x	x
19	04066-01	Quick Pin	x	x	x	64	04070-01	Eyebolt, RH	x	x	x
20	43037-01	Spacer, Caster Yoke, 1/2" long	x	x	x	65	43025	Turnbuckle	x	x	x
21	48100-01	Bronze Bearing		x		66	04022-02	Wing Nut, 5/16-18	x	x	x
22	48114-01	Grease Fitting, Str. 1/4-28	x	x	x	67	43042	Sleeve, Clutch Rod	x	x	x
23	46082	Support Assy. (incl. 21-22)		x		68	*	Hex Hd Bolt, 3/8-16 x 2-3/4	x	x	x
24	45006	Caster Yoke Wid		x		69	44003	Blade Clutch Rod, Lower	x	x	x
25	43022	Sleeve, Caster Wheel Brg.		x		70	43043	Sleeve, Clutch Rod	x	x	x
26	04001-37	Hex Hd Bolt, 1/2-13 x 5-1/2		x		71	*	Cotter Pin, 3/32 x 1	x	x	x
27	*	Hex Locknut, 1/2-13		x		72	*	Washer. 33/64 x 1 x 16 ga.	x	x	x
28	48006-01	Wheel Assy, (incl.13-14a, 29-34)		x		73	04062-01	Hair Pin, large	x	x	x
29	48006-02	Tire Only Caster Wheel		x		74	*	Hex Hd Bolt, 3/8-16 x 1	x	x	x
NS	48006-03	Inner Tube for 48006-01		x		75	42057	Cam Link	x	x	x
30	48006-04	Rim Pair, Caster Wheel		x		76	46078	Caster Assy (incl.19-20, 22, 77-81)	x		x
31	48006-07	Retainer, Bearing, Caster wheel		x		77	45102	Caster Support Wid.	x		x
32	48006-06	Roller Bearing, Caster Wheel		x		78	43037-02	Spacer, Caster Yoke, 1/4 long	x		x
33	48114-03	Grease Fitting, 45' 1/4-28		x		79	45103	Caster Yoke Wid.	x		x
34	48006-05	Hub Assy, Caster Wheel		x		80	48195	Caster Wheel Assy.	x		x
35	*	Hex Hd Bolt, 5/16-18 x 3/4	x	x	x	81	04050-01	Retaining Ring, 5/8 Ext.-E	x		x
36	45100	Discharge Chute Wid	x	x	x	82	44009	Belt Guide	x	x	x
37	*	Hex Nut, 5/16-18 Elastic Stop	x	x	x	83	42288	Bumper Ballast			x
38	*	Hex Hd bolt, 5/16-18x1	x	x	x	83	42350	Bumper Ballast	x		
39	46085	Belt Cover Assy (incl. Decal)		x	x	84	*	Hex Hd Bolt, 5/16-18 x 1 1/2	x	x	x
39	46157	Belt Cover Assy (incl. Decal)		x		85	*	Flat Washer, 5/16	x	x	x
40	*	Washer, 25/64 x 15/16 x 12 ga.	x	x	x	86	04041-08s	Washer, 3/4 x 1 1/4 x .035	x	x	x
41	04022-04	Wing Nut, 3/8-16 elastic stop	x	x	x	87	04040-09	Washer			

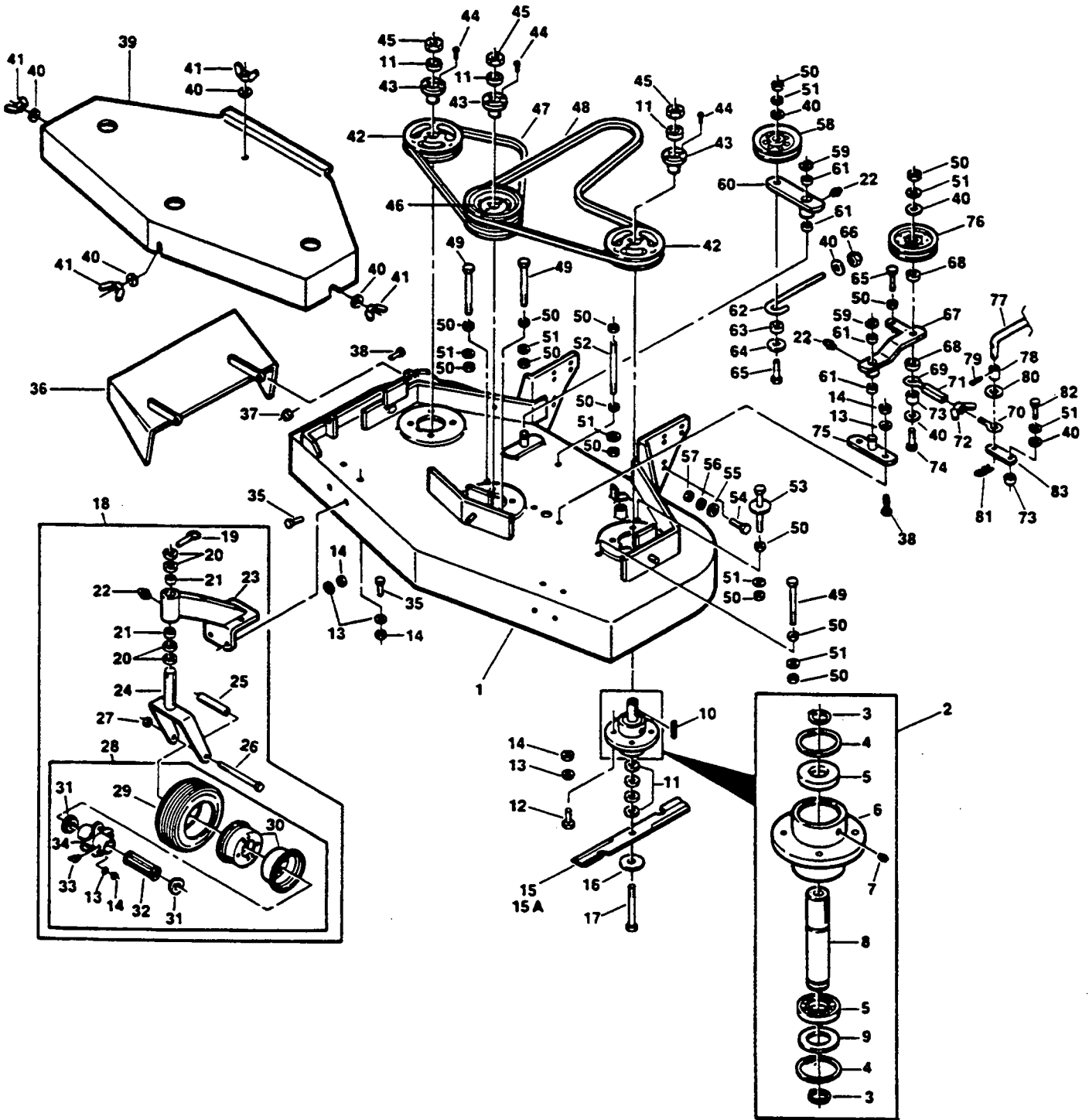
\* Common hardware should be purchased locally. All bolts are Grade 5 plated, all other fasteners are zinc plated.

### SERVICE MANAGER'S NOTES

REF. NO.

- 61 See SB 25 - New Idler Arm Assembly
- 57 See SB 25 - New Idler Arm Assembly
- 52 Deck mounting bolts must be torqued to 70 ft. lbs.

# 48", 52", & 61" CUTTER DECKS



## 48", 52", & 61" CUTTER DECKS

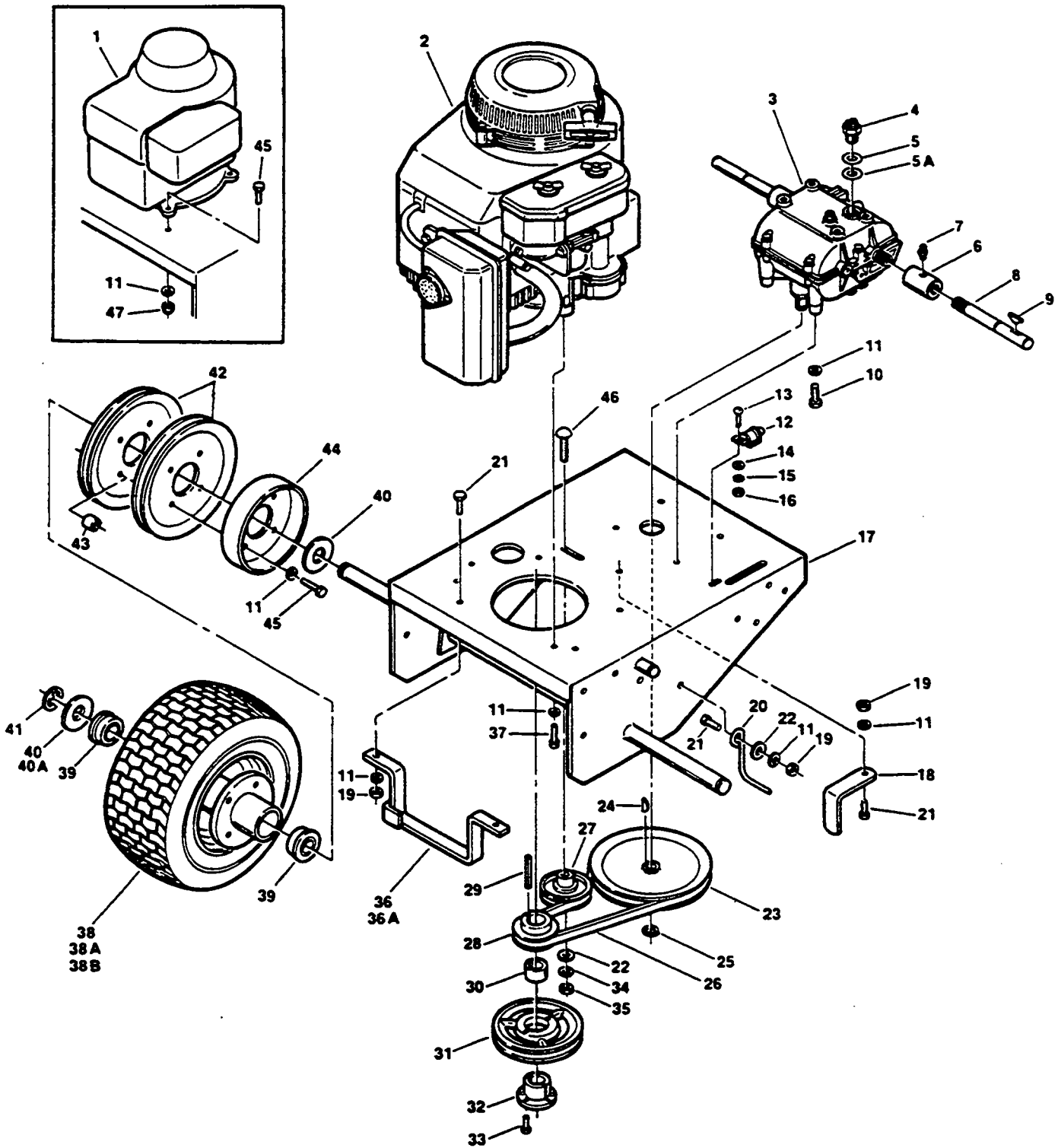
REF. PART NO.	PART NO.	DESCRIPTION	SWM			REF. PART NO.	PART NO.	DESCRIPTION	SWM		
			48	52	61				48	52	61
1	46088	Cutter Deck (incl. decal)	x			42	48127	Pulley (incl. 43-44)	x	x	x
1	46163	Cutter Deck (incl. decal)		x		43	48141	Tapered Hub	x	x	x
1	46119	Cutter Deck (incl. decal)			x	44	*	Hex Hd Bolt 1/4-20 x 3/4	x	x	x
2	46020	Cutter Spindle Assy. (incl. 3-9)	x	x	x	45	*	Hex Nut, 5/8-11	x	x	x
3	04050-04	Retaining Ring, 1" Ext.-Inverted	x	x	x	46	48129	Pulley, Double (incl. 43-44)	x	x	x
4	04050-07	Retaining Ring, 2-7/16" Int.basic	x	x	x	47	48087	Belt, RH Blade Drive	x		
5	48101-01	Bearing, Cutter Spindle Upper	x	x	x	47	48285	Belt, RH Blade Drive		x	
5a	48101-02	Bearing, Cutter Spindle Lower	x	x	x	47	48265	Belt, RH Blade Drive			x
6	41001	Spindle Housing	x	x	x	48	48089	Belt, Blade Drive	x		
7	48114-02	Grease Fitting Str. 5/16 Serr.	x	x	x	48	48286	Belt, Blade Drive		x	
8	43001-02	Spindle, Cutter Blade	x	x	x	48	48264	Belt, Blade Drive			x
9	04041-02	Washer, 1-5/16 x 2-13/32 x 16 ga	x	x	x	49	*	Hex Hd Bolt, 3/8-16 x 5"	x	x	x
10	04063-08	Key, 1/4 x 1/4 x 2	x	x	x	50	*	Hex Nut, 3/8-16	x	x	x
11	43038	Spacer, Cutter Blade	x	x	x	50a	*	Hex Nut 3/8-16, Centerlock	x	x	x
12	*	Hex Hd Bolt, 5/16-18 x 1-1/4	x	x	x	51	*	Lockwasher, Spring, 3/8	x	x	x
13	*	Lockwasher, Spring, 5/16	x	x	x	52	04004-02	Support, Belt Cover	x	x	x
14	*	Hex Nut, 5/16-18	x	x	x	53	45098	Belt Guide Wld.	x	x	x
14a	*	Hex Nut, 5/16-24	x	x	x	54 sm	*	Hex Hd Bolt, 7/16-14 x 1-1/4	x	x	x
15	48110	Cutter Blade 16-1/2"	x			55	*	Washer, 15/32 x 59/64 x 16 ga.	x	x	x
15	48108	Cutter Blade 18"		x		56	*	Lock Washer, Spring, 7/16	x	x	x
15	48111	Cutter Blade 21"			x	57	*	Hex Nut, 7/16-14	x	x	x
15a	48184	Cutter Blade 16-1/2" Hi Lift	x			58	48181	Idler Pulley, "V" Groove	x	x	x
15a	48185	Cutter Blade 18" Hi Lift		x		59	04050-02	Retaining-Ring, 3/4" Ext."E"	x	x	x
16	04040-10	Flat Washer, 5/8"W	x	x	x	60	46081	Idler Arm Assy, (incl. 22 & 66)	x	x	x
17	04001-41	Hex Hd Bolt, 5/8-11 x 9-1/2"	x	x	x	61	48100-05	Bronze Bearing	x	x	x
18	46079	Caster Assy, Comp. (incl.19-28)	x	x	x	62	43028	Rod, Idler Pull, J	x	x	x
19	04066-01	Quick Pin	x	x	x	63	43077	Spacer, J Pull Rod	x	x	x
20	43037-01	Spacer, Caster Yoke, 1/2" long	x	x	x	64	04041-12	Washer, 3/8 x 1-1/2 x 16 ga.	x	x	x
21	48100-01	Bronze Bearing	x	x	x	65	*	Hex Hd Bolt, 3/8-16 x 2-1/4	x	x	x
22	48114-01	Grease Fitting, Str., 1/4-28	x	x	x	65a	04004-04	Stud	x	x	x
23	46082	Support Assy. (incl. 21-22)	x	x	x	66	*	Hex Nut, 3/8-16 Elastic Stop	x	x	x
24	45006	Caster Yoke Wld.	x	x	x	67 sm	46145	Idler Arm (incl. 22 & 61)	x	x	x
25	43022	Sleeve, Caster Wheel Bearing	x	x	x	68	43063	Spacer	x	x	x
26	04001-37	Hex Hd Bolt, 1/2-13 x 5-1/2"	x	x	x	69	04070-02	Eyebolt, LH	x	x	x
27	*	Hex Locknut, 1/2-13	x	x	x	70	04070-01	Eyebolt, RH	x	x	x
28	48006-01	Wheel Assy. (incl.13-14a, 29-34)	x	x	x	71	43025	Tumbuckle	x	x	x
29	48006-02	Tire only, Caster Wheel	x	x	x	72	04022-02	Wing Nut, 5/16-18	x	x	x
	48006-03	Inner Tube only, Caster Wheel	x	x	x	73	43042	Sleeve, Cam Clutch	x	x	x
30	48006-04	Rim Pair, Caster Wheel	x	x	x	74	*	Hex Hd Bolt, 3/8-16 x 2-3/4	x	x	x
31	48006-07	Retainer, Bearing, Caster Wheel	x	x	x	75	45037	Idler Pivot Wld.	x	x	x
32	48006-06	Roller Bearing, Caster Wheel	x	x	x	76 sm	48269	Idler Pulley, Belt Clutch	x	x	x
33	48114-03	Grease Fitting 45' 1/4-28	x	x	x	77	44003	Blade Clutch Rod, Lower	x	x	x
34	48006-05	Hub Assy, Caster Wheel	x	x	x	78	43043	Sleeve, Clutch Rod	x	x	x
35	*	Hex Hd Bolt, 5/16-18 x 3/4"	x	x	x	79	*	Cotter Pin, 3/32 x 1	x	x	x
36	45029	Discharge Chute Wld	x			80	*	Washer, 33/64 x 1 x 16 ga	x	x	x
36	45100	Discharge Chute Wld		x		81	04062-01	Hair Pin Large	x	x	x
37	*	Hex Nut, 5/16-18 Elastic Stop	x	x	x	82	*	Hex Hd Bolt, 3/8-16 x 1	x	x	x
38	*	Hex Hd Bolt, 5/16-18 x 1	x	x	x	83	42057	Cam Link	x	x	x
39	46086	Belt Cover Assy. (incl. Decals)	x			84	45046	Roller Shaft Wld		x	x
39	46164	Belt Cover Assy. (incl. Decals)		x		85	48038	Guide Roller		x	x
39	46121	Belt Cover Assy. (incl. Decals)			x	86	*	Flat Washer, 11/32 x 11/16 x 16ga	x	x	
40	*	Washer 25/64 x 15/16 x 12 ga.	x	x	x	87	44008	Belt Guide		x	x
41	04022-04	Wing Nut, 3/8-16	x	x	x	88	*	Flat Washer, 5/16	x	x	x

\* Common hardware should be purchased locally. All bolt Grade 5, all other fasteners zinc plated.

### SERVICE MANAGER'S NOTES

REF. NO.	
76	See SB 25 - New Idler Arm Assembly.
67	See SB 25 - New Idler Arm Assembly.
54	Deck mounting bolts must be torqued to 70 ft. lbs.

# ENGINE DECK



# ENGINE DECK

REF. PART NO.	PART NO.	DESCRIPTION	SW	SW	SW	SW	SW	SW	SW	SW	
			32	36	36	36	48	48	52	52	61
			12B	12B	13K	8J	12B	13K	13K	18KH	18KH
1	sm 48268	Engine 18HP Kohler (MV18 PS-58511)								x	x
1	48273	Engine 8HP JLO				x					
1	48271	Engine 12HP Briggs (281702 type 0152-01)	x	x			x				
2	48190	Engine 12.5 Kawasaki (FB460-ES05)			x			x	x		
3	sm 48191	Transmission (PEERLESS 700-013)	x	x	x	x	x	x	x	x	x
4	48021	Neutral safety switch	x	x	x	x	x	x	x	x	x
5	48122-01	Fibre washer, thin	x	x	x	x	x	x	x	x	x
5a	48122-02	Fibre washer, thick	x	x	x	x	x	x	x	x	x
6	48226	Coupler, jackshaft	x	x	x	x	x	x	x	x	x
7	48114-01	Grease fitting, str. 1/4-28	x	x	x	x	x	x	x	x	x
8	48225	Jackshaft	x	x	x	x	x				
8a	48242	Jackshaft							x	x	x
9	04063-09	Key, Hi-Pro #9	x	x	x	x	x	x	x	x	x
10	*	Hex Hd Bolt, 5/16-18 x 3/4	x	x	x	x	x	x	x	x	x
11	*	Lockwasher, Spring 5/16	x	x	x	x	x	x	x	x	x
12	48211	Clutch Safety Switch (White Housing)	x	x	x	x	x	x	x	x	x
13	*	Mach. Scr, Phil, 10-32 x 1/2	x	x	x	x	x	x	x	x	x
14	*	Washer .219 x.500 x.049	x	x	x	x	x	x	x	x	x
15	*	Lockwasher, #10 Ext. Tooth	x	x	x	x	x	x	x	x	x
16	*	Hex Nut #10-32	x	x	x	x	x	x	x	x	x
17	sm45090	Engine Deck Wld.		x	x	x	x	x			
17	sm45116	Engine Deck Wld.							x	x	x
17	sm45128	Engine Deck Wld.	x								
18	42263	Rear Belt Guide, Engine	x	x	x	x	x	x	x	x	x
19	*	Hex Nut, 5/16-18	x	x	x	x	x	x	x	x	x
20	44006	Belt Guide, Traction Dr.	x	x	x	x	x	x	x	x	x
21	*	Hex Head Bolt, 5/16-18 x 1	x	x	x	x	x	x	x	x	x
21a	04003-04	Carriage Hd Bolt 5/16-18 x 1	x	x	x	x	x	x	x	x	x
22	*	Washer, 25/64 x 15/16 x 12 ga.	x	x	x	x	x	x	x	x	x
23	48197	Pulley, Trans. Input	x	x	x	x	x	x	x	x	x
24	04063-07	Key, Woodruff #9	x	x	x	x	x	x	x	x	x
25	04050-09	Retaining Ring, 5/8 Ext. Basic	x	x	x	x	x	x	x	x	x
26	48203	Belt, Transmission Drive	x	x	x	x	x	x	x	x	x
27	48201	Idler Pulley, Transmission	x	x	x	x	x	x	x	x	x
28	48196	Pulley, Traction Drive	x	x	x		x	x	x	x	x
28	48249	Pulley, Traction Drive				x					
29	04063-03	Key, 1/4 x 1/4 x 2-1/2	x	x	x		x	x	x	x	x
29	04063-10	Key, 3/16 x 13/16 x 2-1/2				x					
31	48127	Pulley, Belt Dr. (Incl. 32-33)	x	x	x		x	x	x	x	x
31	48247	Pulley, Belt Dr. (Incl. 32-33)				x					
32	48141	Taper Hub (for 48127)	x	x	x		x	x	x	x	x
32	48248	Taper Hub (for 48247)				x					
33	*	Hex Hd Bolt, 1/4-20 x 3/4	x	x	x	x	x	x	x	x	x
34	*	Lockwasher, Spring, 3/8	x	x	x	x	x	x	x	x	x
35	*	Hex Nut, 3/8-16	x	x	x	x	x	x	x	x	x
36	42268	Belt Guide, Saddle	x	x	x	x					
36A	42265	Belt Guide, Saddle					x	x	x	x	x
37	*	Hex Hd Bolt, Metric 8x25	x	x	x		x	x	x	x	x
37	*	Hex Hd Bolt, Metric 10x30				x					
38	48192-01	Drive Wheel Assy (Incl. 38A-38B)		x	x	x	x	x	x	x	x
38	48253	Drive Wheel Assy (Incl. 38C-38D)	x								
38A	48192-02	Tire, 13 x 6.50-6, 2-Ply		x	x	x	x	x	x	x	x
38B	48192-03	Firm & Bearing Assy (Incl. 39)		x	x	x	x	x	x	x	x
38C	48253-02	Tire, 13 x 5.00-6, 2Ply	x								
38D	48253-03	Firm & Bearing Assy (incl. 39)	x								
39	sm48193	Wheel Bearing	x	x	x	x	x	x	x	x	x
40	04042-05	Washer, 1-1/16 x 1-3/4 x 12 ga.	x	x	x	x	x	x	x	x	x
40A	04041-14	Washer, 1-1/16 x 1-1/2 x 18 ga.	x	x	x	x	x	x	x	x	x
41	04050-08	Retaining Ring, 1" Ext. "E"	x	x	x	x	x	x	x	x	x
42	48200	Pulley, Wheel Drive	x	x	x	x	x	x	x	x	x
43	43088	Spacer, Wheel Pulley	x	x	x	x	x	x	x	x	x

\* Common hardware should be purchased locally. All bolts Grade 5 plated, all other fasteners zinc plated

ENGINE DECK CONTINUED ON FOLLOWING PAGE.

# ENGINE DECK CONT'D

See Page C5 For Illustration

REF. PART NO. NO.	DESCRIPTION	SW	SW	SW	SW	SW	SW	SW	SW	SW
		32 12B	36 12B	36 13	36 8J	48 12B	48 13K	52 13K	52 18KH	61 18KH
44	48209									
45	"									
46	04003-03									
47	"									
48	"									
50	42330									
51	43063									
52	04041-11									
57	42333									
58	"									
59	"									
60	"									
61	"									
62	48275									
63	"									
64	48030									
65	48257									
66	48254									
67	"									

\* Common hardware should be purchased locally. All bolts Grade 5 plated, all other fasteners zinc plated.

### SERVICE MANAGER'S NOTES

REF. NO.

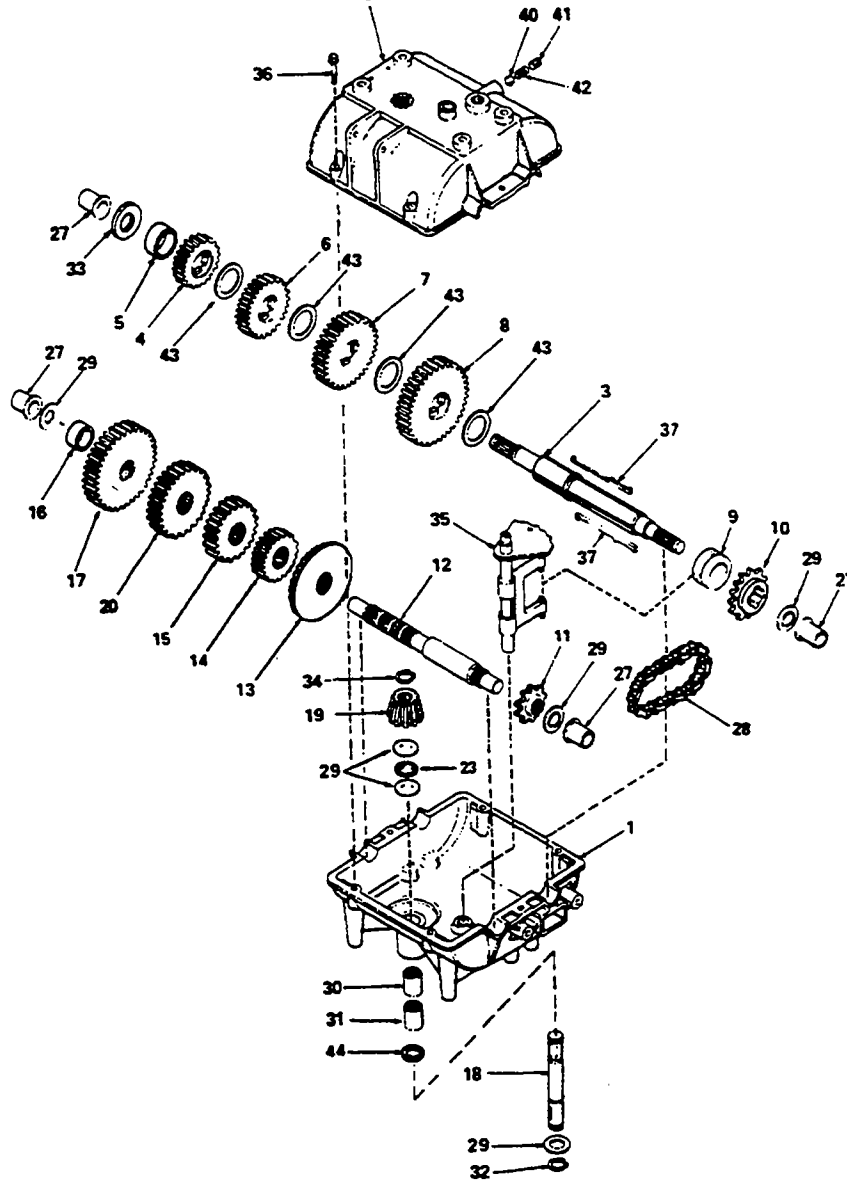
- 39 See SB 32 - Drive wheel bearings (outside diameter).
- 17 See SB 44 - Engine deck support plate.
- 3 See SB 38 - 4 to 5 speed conversion.
- 1 See SB 42 - Solutions to starter ratcheting (only Kohler).

### SERVICE MANAGER'S NOTES FOR PAGE 9

- See SB 27 - Reduction of forward speed.
- See SB 31 - Transaxle conversion kit.



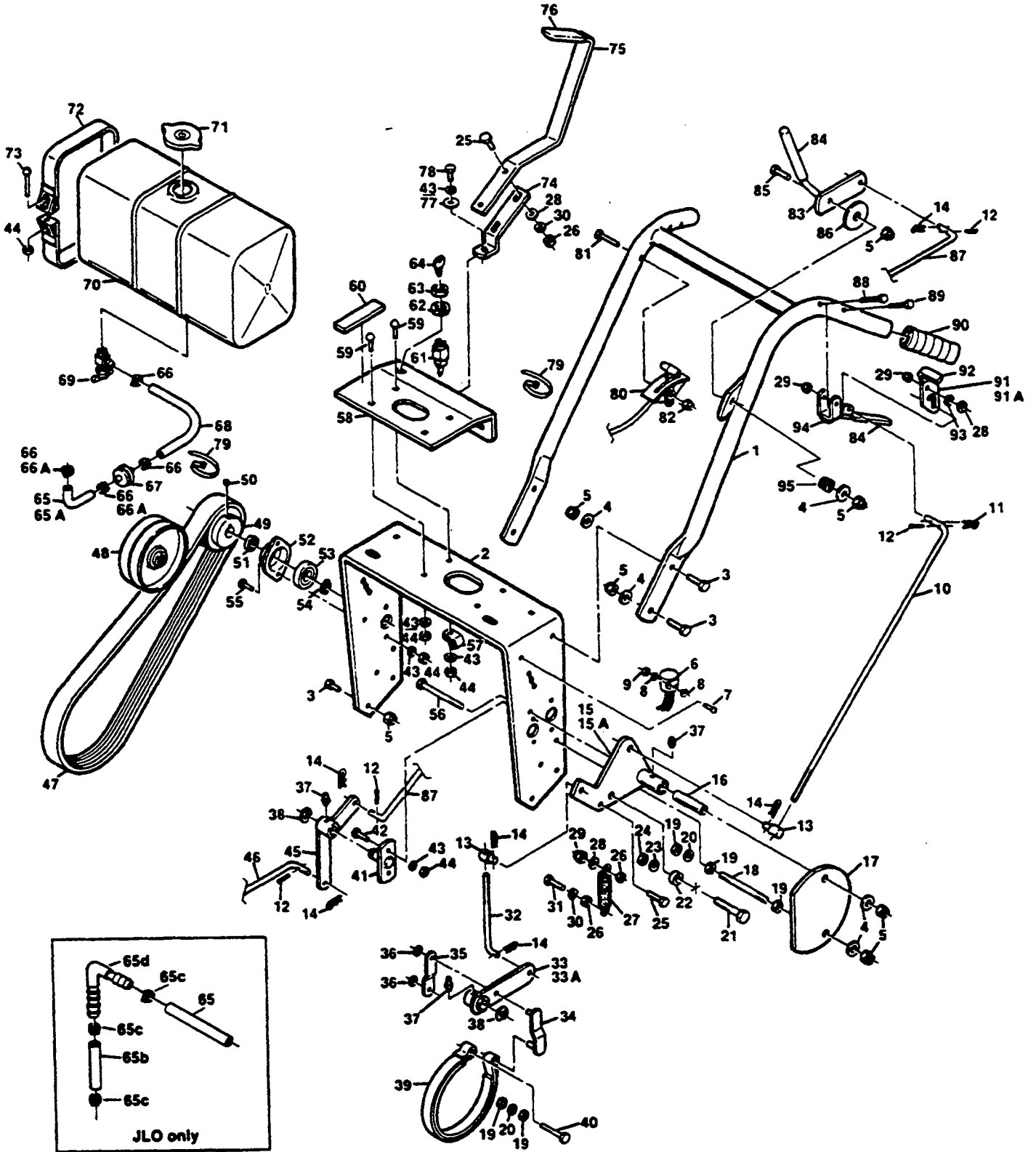
# PEERLESS 700 - 013



## PEERLESS TRANSMISSION MODEL 700 - 013

REF. PART NO.	NO.	DESCRIPTION	ALL UNITS	REF. PART NO.	NO.	DESCRIPTION	ALL UNITS
1.	770061	Case, Transmisson	x	20	778126A	Gear, Spur (20 teeth)	x
2.	772083	Cover, Transmission	x	23	780071	Bearing, Thrust	x
3.	776217	Shaft, Output & Brake	x	27	780105A	Bushing, Flanged	x
4.	778123A	Gear, Spur (25 teeth)	x	28	786081	Chain, Roller (No.41 chain,24 links)	x
5.	786072	Spacer, 1-3/8"OD x 1-1/8"ID x 3/8"	x	29	780072	Washer, Thrust	x
6.	778124A	Gear, Spur (30 teeth)	x	30	780086	Bearing, Needle	x
7.	778125	Gear, Spur (35 teeth)	x	31	780142	Bearing, Needle	x
8.	778146A	Gear, Spur (37 teeth)	x	32	792035	Ring, Retaining	x
9.	784266	Collar, Shift	x	33	780139	Washer, Thrust	x
10.	786083	Sprocket (18 teeth)	x	34	788040	Ring, Retaining	x
11.	786082	Sprocket (9 teeth)	x	35	784267	Rod & Fork Assy., Shift	x
12.	776134	Shaft, Counter	x	36	792073	Screw, Flanged Hex hd.tf,1/4-20x1-1/4	x
13.	778154	Gear, Bevel (42 teeth)	x	37	792089A	Key	x
14.	778145	Gear, Spur (12 teeth)	x	40	792077	Ball, Steel, 5/16"	x
15.	778151	Gear, Spur (15 teeth)	x	41	792078	Screw, Set 3/8-16 x 3/8	x
16.	786071	Spacer, 1-1/8"OD x 3/4"ID x 3/8"	x	42	792079	Spring	x
17.	778127A	Gear, Spur (25 teeth)	x	43	780108	Washer, Thrust	x
18.	776135	Shaft, Input	x	44	792001	"O" Ring	x
19.	778176	Bevel Pinion, Input	x				

# HANDLE ASSEMBLY



# HANDLE ASSEMBLY

REF. NO.	PART NO.	DESCRIPTION	SW	SW	SW	SW	SW	SW	SW	SW	
			32	36	36	36	48	48	52	52	61
			12B	12B	13K	8J	12B	13K	13K	18KH	18KH
1	46178	Handle Assy. (incl. 90 & decals)	x	x	x	x	x	x			
1	46179	Handle Assy. (incl. 90 & decals)							x	x	x
2	42249	Handle Mounting Frame	x	x	x	x	x	x			
2	42310	Handle Mounting Frame							x	x	x
3	*	Hex Hd Bolt, 3/8-16 x 1	x	x	x	x	x	x	x	x	x
4	*	Washer, 25/64 x 15/16 x 12 ga.	x	x	x	x	x	x	x	x	x
5	*	Hex Nut, 3/8-16 Elastic Stop	x	x	x	x	x	x	x	x	x
6	48213	Wire Harness	x	x	x	x	x	x	x	x	x
7	*	Mach. Screw, Phillips, #10-32 x 1/2	x	x	x	x	x	x	x	x	x
8	*	Lockwasher, #10 Ext. Tooth	x	x	x	x	x	x	x	x	x
9	*	Hex Nut, #10-32	x	x	x	x	x	x	x	x	x
10	44004	Control Rod, Steering	x	x	x	x	x	x	x	x	x
11	04062-02	Hair Pin, Small	x	x	x	x	x	x	x	x	x
12	*	Cotter Pin, 3/32 x 3/4	x	x	x	x	x	x	x	x	x
13	43032	Swivel Joint	x	x	x	x	x	x	x	x	x
14	04062-01	Hair Pin, Large	x	x	x	x	x	x	x	x	x
15	45091-01	Idler Bracket Wid, RH	x	x	x	x	x	x	x	x	x
15A	45091-02	Idler Bracket Wid, LH	x	x	x	x	x	x	x	x	x
16	43092	Idler Sleeve	x	x	x	x	x	x	x	x	x
17	42283	Belt Guard	x	x	x	x	x	x	x	x	x
18	04004-01	Support Belt Guard	x	x	x	x	x	x	x	x	x
19	*	Hex Nut, 3/8-16	x	x	x	x	x	x	x	x	x
20	*	Lockwasher, Spring, 3/8	x	x	x	x	x	x	x	x	x
21	*	Hex Head Bolt, 3/8-16 x 2-3/4	x	x	x	x	x	x	x	x	x
22	*	Flat Washer 1/4	x	x	x	x	x	x	x	x	x
23	*	Lockwasher, Spring, 1/2	x	x	x	x	x	x	x	x	x
24	*	Hex Nut, 1/2-13 Elastic Stop	x	x	x	x	x	x	x	x	x
25	*	Hex Head Bolt, 5/16-18 x 1-1/4	x	x	x	x	x	x	x	x	x
25A	04003-06	Carriage 1/4-20 x 1	x	x	x	x	x	x	x	x	x
26	*	Hex Nut, 5/16-18	x	x	x	x	x	x	x	x	x
27	48051	Spring, Idler Tension	x	x	x	x	x	x	x	x	x
28	*	Washer, 11/32 x 11/16 x 16 ga.	x	x	x	x	x	x	x	x	x
29	*	Hex Nut, 5/16-18 Elastic Stop	x	x	x	x	x	x	x	x	x
30	*	Lockwasher, Spring, 5/16	x	x	x	x	x	x	x	x	x
31	*	Hex Head Bolt, 5/16-18 x 1	x	x	x	x	x	x	x	x	x
32	44005	Brake Road	x	x	x	x	x	x	x	x	x
33	SM 45092-01	Brake Lever Wid, RH	x	x	x	x	x	x	x	x	x
33A	SM 45092-02	Brake Lever Wid, LH	x	x	x	x	x	x	x	x	x
34	45093	Brake Link Wid.	x	x	x	x	x	x	x	x	x
35	42254	Brake Link	x	x	x	x	x	x	x	x	x
36	04024-01	Nut, Push-On, 3/8	x	x	x	x	x	x	x	x	x
37	48114-01	Grease Fitting, Str., 1/4-28	x	x	x	x	x	x	x	x	x
38	04050-01	Retaining Ring, 5/8 Ext.-"E"	x	x	x	x	x	x	x	x	x
39	48210	Brake Band	x	x	x	x	x	x	x	x	x
40	*	Hex Head Bolt, 3/8-16 x 2	x	x	x	x	x	x	x	x	x
41	45094	Bell Crank Pivot Wid.	x	x	x	x	x	x	x	x	x
42	*	Hex Head Bolt, 1/4-20 x 1	x	x	x	x	x	x	x	x	x
43	*	Lockwasher, Spring, 1/4	x	x	x	x	x	x	x	x	x
44	*	Hex Nut, 1/4-20	x	x	x	x	x	x	x	x	x
45	45095	Bell Crank Wid, Clutch	x	x	x	x	x	x	x	x	x
46	44003	Blade Clutch Rod, Lower	x	x	x	x	x	x	x	x	x
47	SM 48202	Belt, Wheel Drive	x	x	x	x	x	x	x	x	x
48	48198	Idler Pulley, Wheel Drive	x	x	x	x	x	x	x	x	x
49	48199	Pulley, Jackshaft (Incl. 50)	x	x	x	x	x	x	x	x	x
50	*	Setscrew, Hex Socket Knurled Cup Pt.5/16-16 Nylock	x	x	x	x	x	x	x	x	x
51	43098	Spacer, Jackshaft Pulley	x	x	x	x	x	x	x	x	x
52	48223	Flange, Jackshaft Bearing	x	x	x	x	x	x	x	x	x
53	48224	Bearing, Jackshaft	x	x	x	x	x	x	x	x	x
54	04050-09	Retaining Ring, 5/8 Ext.-Basic	x	x	x	x	x	x	x	x	x
55	*	Hex Head Bolt, 1/4-20 x 3/4	x	x	x	x	x	x	x	x	x
56	*	Hex Head Bolt, 3/8-16 x 4	x	x	x	x	x	x	x	x	x
57	48030	Clamp	x	x	x	x	x	x	x	x	x
58	SM 42251	Shifter Plate	x	x	x	x	x	x	x	x	x
59	*	Carriage Bolt, 1/4-20 x 1	x	x	x	x	x	x	x	x	x
60	48205	Rubber Pad (lower)	x	x	x	x	x	x	x	x	x
61	48171	Key Switch	x	x	x	x	x	x	x	x	x
62	48017-03	Lockwasher, Internal Tooth, 5/8	x	x	x	x	x	x	x	x	x
63	48017-04	Hex Nut, 5/8-32	x	x	x	x	x	x	x	x	x
64	48017-02	Key, Ignition	x	x	x	x	x	x	x	x	x
65	48058-01	Fuel Hose, Short Briggs 1/4 ID x 3-1/2"	x	x	x		x				
65	48058-02	Fuel Hose Kohler 1/4 ID x 14 1/8"								x	x
65	48058-08	Fuel Hose 8J 1/4 ID x 4 1/2"				x					
65a	48179-01	Fuel Hose, Short Kawasaki 7/32 ID x 3-1/2"					x		x		
65b	48058-09	Fuel Hose 8J 1/4 ID x 1-1/4"				x					

\* Common hardware should be purchased locally. All bolts Grade 5 plated, all other fasteners zinc plated

HANDLE ASSEMBLY CONTINUED ON FOLLOWING PAGE

# HANDLE ASSEMBLY CONT'D

See Page C9 For Illustration

REF. NO.	PART NO.	DESCRIPTION	SW	SW	SW	SW	SW	SW	SW	SW
			32	36	36	36	48	48	52	52
			12B	12B	13K	8J	12B	13K	13K	18KH 18KH
65c	48275	Clamp, fuel hose 8J				x				
65d	48282	Elbow, 8J				x				
66	48059-01	Clamp, Fuel Hose	x	x		x	x		x	x
66A	48059-02	Clamp, Fuel Hose Kawasaki			x			x	x	
67	48057-02	Fuel Filter	x	x	x	x	x	x	x	x
68	48058-06	Fuel Hose, Long 1/4 ID x 17"	x	x	x	x	x	x	x	x
69	48056	Valve, Fuel Shut Off	x	x	x	x	x	x	x	x
70	46091	Fuel Tank Assy. (incl. Decals 23,71,69)	x	x	x	x	x	x	x	x
71	48055	Fuel Tank Cap	x	x	x	x	x	x	x	x
72	42262	Strap, Fuel Tank	x	x	x	x	x	x	x	x
73	*	Mach. Rd. Hd. Slotted, 1/4-20 x 2	x	x	x	x	x	x	x	x
74 SM	42252	Shifter Lever	x	x	x	x	x	x	x	x
75 SM	46073	Shift Lever Assy. (incl. 76)	x	x	x	x	x	x	x	x
76	48215	Grip, Shift Lever	x	x	x	x	x	x	x	x
77	04043-01	Washer, 17/64 x 7/8 x 1/8 HT	x	x	x	x	x	x	x	x
78 SM	04001-55	Hex Head Bolt, 1/4-28 x 3/4 Grade 8	x	x	x	x	x	x	x	x
79	48028-01	Cable Tie	x	x	x	x	x	x	x	x
80	48206	Throttle Control	x	x	x		x	x		
80	48274	Throttle Control				x				
80	48266	Throttle Control							x	x
81	*	Hex Head Bolt, 1/4-20 x 2	x	x	x	x	x	x	x	x
82	*	Hex Nut, 1/4-20 Elastic Stop	x	x	x	x	x	x	x	x
83	46090	Blade Clutch Lever Assy. (incl. 84)	x	x	x	x	x	x	x	x
84	48144	Grip, Lever	x	x	x	x	x	x	x	x
85	*	Hex Head Bolt, 3/8-16 x 1-3/4	x	x	x	x	x	x	x	x
86	04041-10	Washer, 3/8 x 2 x 16 ga.	x	x	x	x	x	x	x	x
87	44002	Belt Clutch Rod, Upper	x	x	x	x	x	x	x	x
88	*	Hex Head Bolt, 5/16-18 x 2-1/4	x	x	x	x	x	x	x	x
89	*	Hex Head Bolt, 5/16-18 x 2	x	x	x	x	x	x	x	x
90	48159	Grip, Handle	x	x	x	x	x	x	x	x
91	46083-01	Neutral Latch Assy, RH (incl. 92)	x	x	x	x	x	x	x	x
91A	46083-02	Neutral Latch Assy, LH (incl. 92)	x	x	x	x	x	x	x	x
92	48095	Grip, Neutral Latch	x	x	x	x	x	x	x	x
93	04032-01	Curved Spring Washer	x	x	x	x	x	x	x	x
94	46089	Brake Lever Assy. (incl. 84)	x	x	x	x	x	x	x	x
95	48050	Spring Compression	x	x	x	x	x	x	x	x
96	48091	Choke Control							x	x

\* Common hardware should be purchased locally. All bolts Grade 5 plated, All other fasteners zinc plated.

### SERVICE MANAGER'S NOTES

REF. NO.

- 78 See SB 23 - Non-hardened washers on transmission shifter shaft.
- 75 See SB 38 - 4 to 5 speed conversion kit.
- 74 See SB 38 - 4 to 5 speed conversion kit.
- 58 See SB 38 - 4 to 5 speed conversion kit.
- 47 See SB 52 - Belt slippage on walkers.
- 33 See SB 37 - Wheel drive belt slipping.

REPLACEMENT DECALS

# SCAG

48314  
Decal - Scag's Logo  
(Located On Cutter Deck Cover - Top Surface)

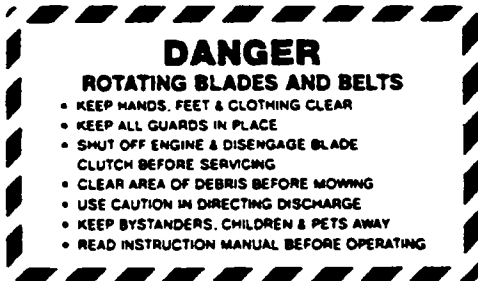
R N 1 2 3 4

48216 - 4SPD  
48332 - 5SPD  
Decal - Shift Index  
(Located On Shifter Plate - Above Shift Lever)

NEUTRAL  
LOCK  
↑  
48218  
Decal - Neutral Lock  
(Located on RH & LH Handle Tube  
Near Lock Lever)



48072  
Decal - Heavy Duty Commercial  
(Located On Cutter Deck Cover - Front Wall)



48073  
Decal - Danger, Rotating Blades  
(Located On Cutter Deck Cover -  
Near Discharge Chute)

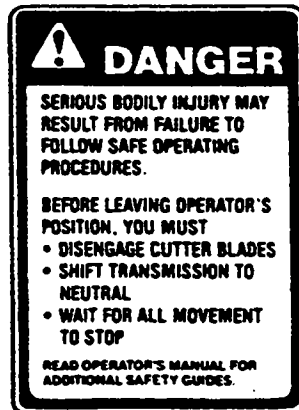
48

72	48327
61	48320
52	48319
48	48318
36	48316
32	48315



48071  
Decal - O.P.E.I. Safety  
(Located On Cutter Deck Near  
Discharge Chute)

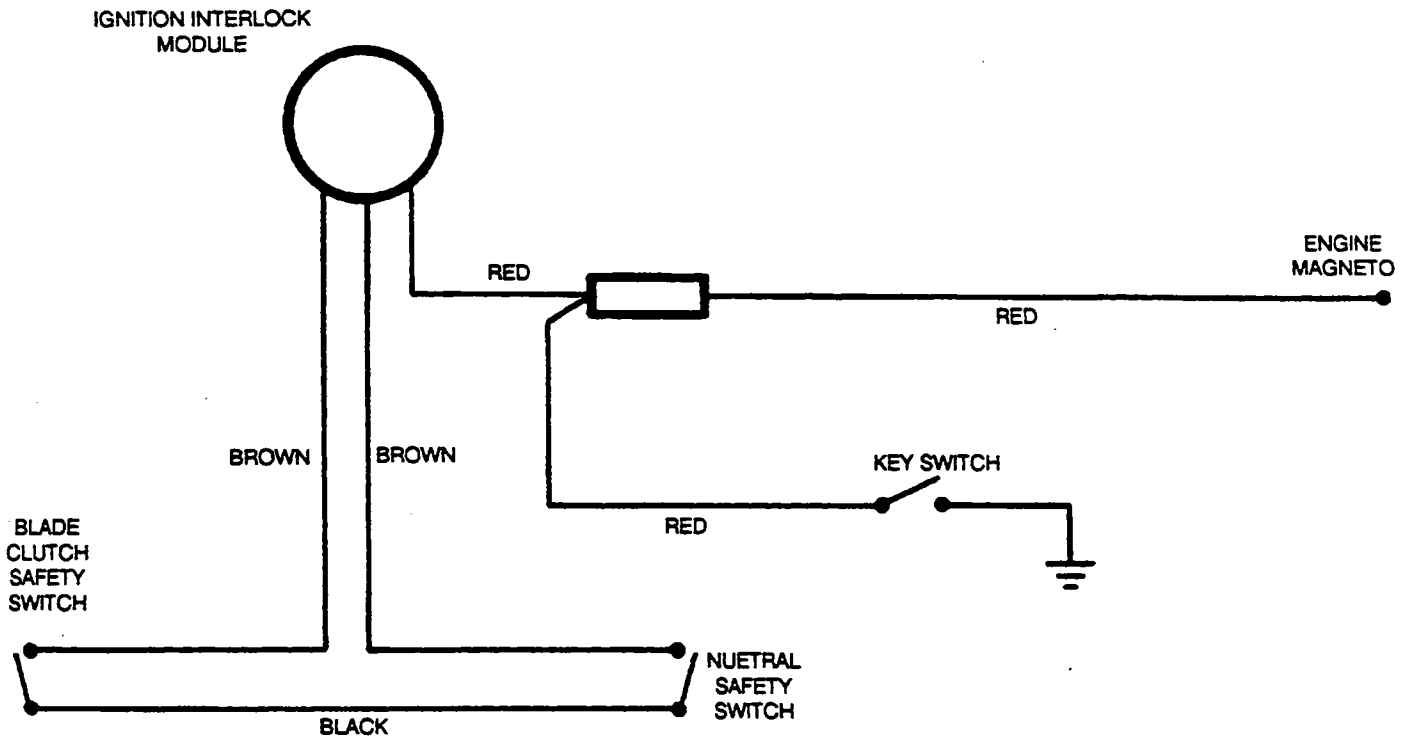
**CLOSE FUEL VALVE  
WHEN MACHINE IS  
NOT IN USE**  
  
IF VALVE IS LEFT OPEN  
SEVERE ENGINE DAMAGE  
OR HARD STARTING MAY  
RESULT FROM FLOODING  
  
48214  
Decal - Fuel Shutoff  
(Located On Fuel  
Tank - Above Keyswitch)



48222  
Decal - Operator Warning  
(Located On Fuel Tank -  
Above Shift Lever)

OFF ON  
  
48079  
Decal - Key Switch  
(Located On Shifter  
Plate - Near Keyswitch)

# WIRING SCHEMATIC



## Free Manuals Download Website

<http://myh66.com>

<http://usermanuals.us>

<http://www.somanuals.com>

<http://www.4manuals.cc>

<http://www.manual-lib.com>

<http://www.404manual.com>

<http://www.luxmanual.com>

<http://aubethermostatmanual.com>

Golf course search by state

<http://golfingnear.com>

Email search by domain

<http://emailbydomain.com>

Auto manuals search

<http://auto.somanuals.com>

TV manuals search

<http://tv.somanuals.com>