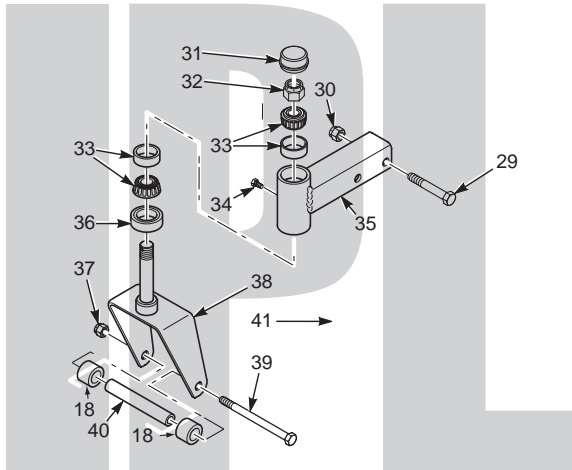


SCAG[®]

POWER EQUIPMENT



ILLUSTRATED PARTS MANUAL



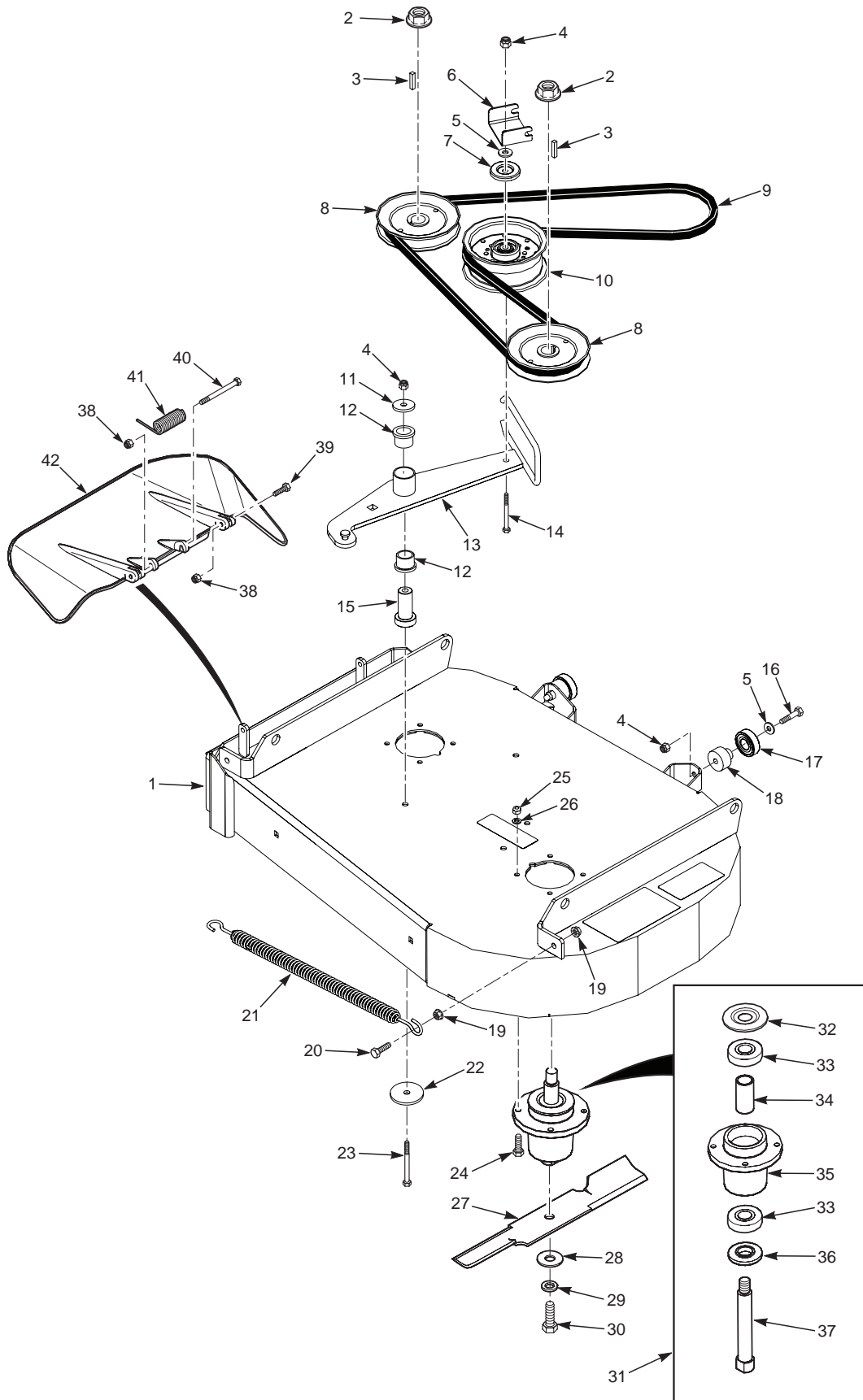
Model SFW Walk-Behind

THIS MANUAL CONTAINS THE ILLUSTRATED PARTS LIST FOR MODELS:
SFW36-16BV with a serial number of **E5600001 to E5699999**
SFW48-16BV with a serial number of **E5700001 to E5799999**

Table of Contents

36" CUTTER DECK.....	2
48" CUTTER DECK.....	4
CUTTER DECK CONTROLS	6
HANDLE ASSEMBLY.....	8
ENGINE DECK	10
ELECTRICAL SYSTEM AND THROTTLE CONTROL	12
REPLACEMENT DECALS AND INFORMATION PLATES	14
SFW ELECTRICAL SCHEMATIC	16

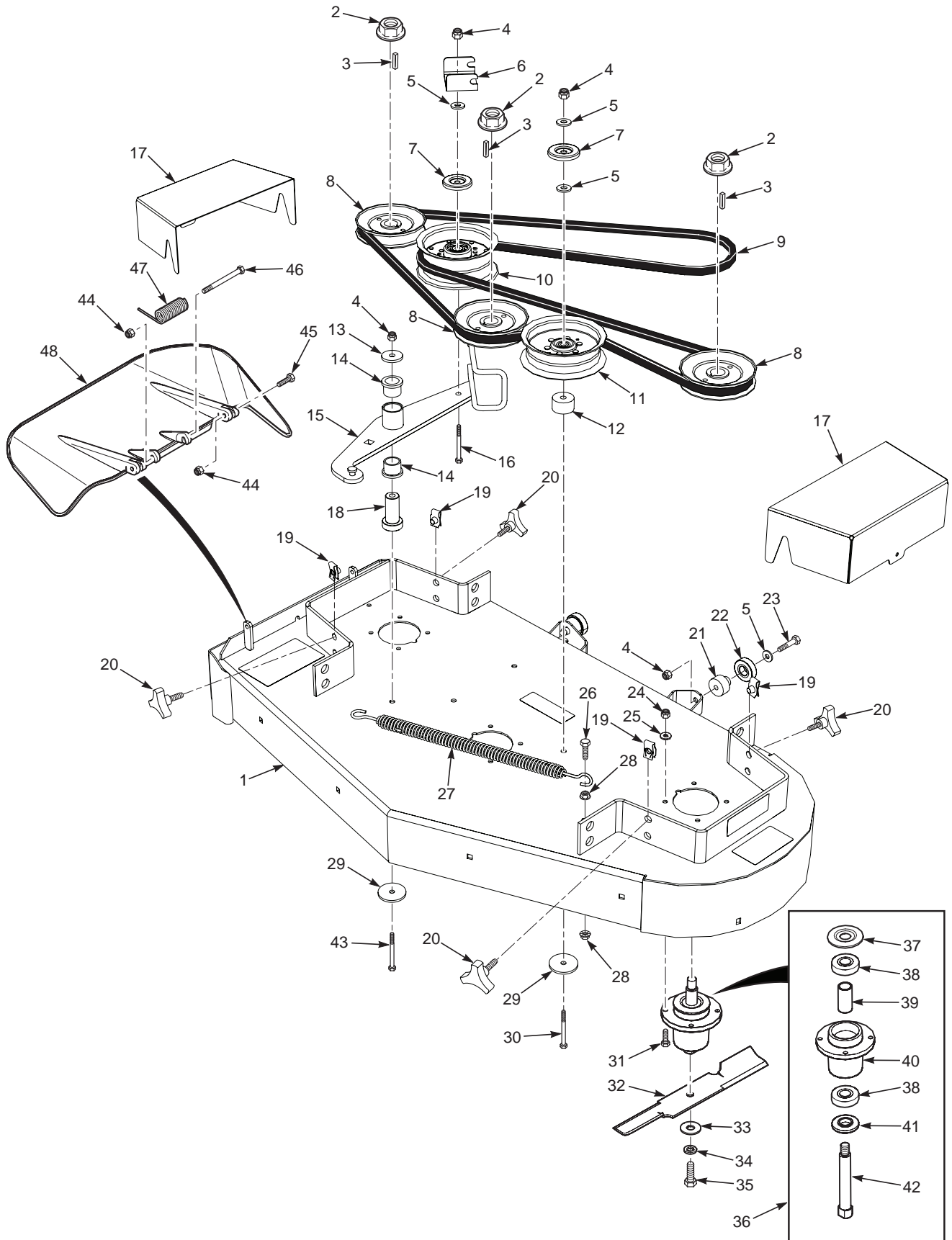
36" CUTTER DECK



36" CUTTER DECK

Ref. No.	Part No.	Description
1	462150	Cutter Deck Weldment w/Decals
2	04112-06	Nut, 3/4-16 Spiral Lock
3	04063-01	Key, 1/4 x 1/4 x 1-1/4"
4	04021-09	Nut, Elastic Stop 3/8-16
5	04043-04	Flatwasher, 3/8-.391 x .938 x .105 HD
6	424615	Bracket, Belt Guide
7	424367	Dust Shield
8	483324	Pulley, 5.73" Dia.
9	481880	Belt, Deck Drive
10	483851	Pulley, 5" Idler
11	04041-11	Flatwasher, 3/8-.406 x 1-1/2"
12	483453-03	Bearing
13	462190	Idler Arm Assembly (incl. #12)
14	04001-62	Bolt, Hex Head 3/8-16 x 3-1/4"
15	43708	Pivot, Idler
16	04001-46	Bolt, Hex Head 3/8-16 x 2-1/4"
17	483379	Bearing
18	43703	Spacer, Bearing
19	04019-04	Nut, Serrated Flange 3/8-16
20	04001-136	Bolt, Hex Head 3/8-16 x 1-1/2" Gr.8
21	483375	Spring, Deck Idler
22	04041-38	Flatwasher, 3/8-.406 x 2-1/4 x .187
23	04001-51	Bolt, Hex Head 3/8-16 x 3-3/4"
24	04001-175	Bolt, Hex Head 5/16-18 x 1-1/2" Gr.8
25	04021-22	Nut, Elastic Stop 5/16-18
26	04030-03	Lockwasher, 5/16" Spring
27	481707	Cutter Blade, 18"
28	04043-06	Flatwasher, 5/8-.688 x 1-3/4 x .134 HD
29	04030-07	Lockwasher, 1/2" Spring
30	04001-121	Bolt, Hex Head 5/8-11 x 1-1/2"
31	461950	Spindle Assembly
32	483304	Debris Shield
33	483303	Bearing
34	43693	Spacer, Bearing
35	462014	Spindle Housing Assembly (incl. #33 & #34)
36	43694	Protector, Bearing
37	43695	Shaft, Spindle
38	04021-10	Nut, Elastic Stop 5/16-18
39	04001-12	Bolt, Hex Head 5/16-18 x 1-3/4"
40	04001-154	Bolt, Hex Head 5/16-18 x 4-3/4"
41	482245	Spring, Discharge Chute
42	462031	Discharge Chute Assembly

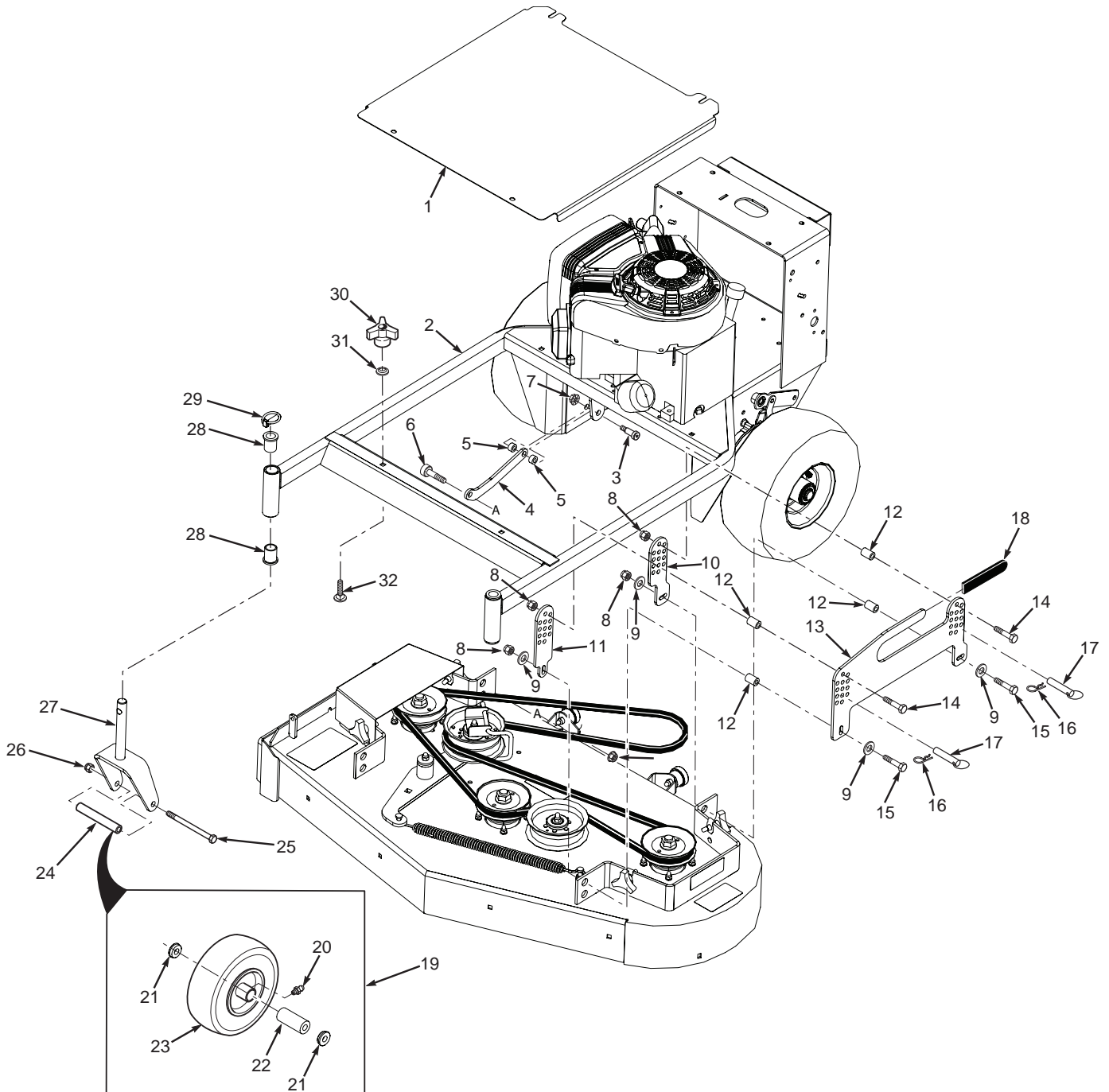
48" CUTTER DECK



48" CUTTER DECK

Ref. No.	Part No.	Description
1	462149	Cutter Deck Weldment w/Decals
2	04112-06	Nut, 3/4-16 Spiral Lock
3	04063-01	Key, 1/4 x 1/4 x 1-1/4"
4	04021-09	Nut, Elastic Stop 3/8-16
5	04043-04	Flatwasher, 3/8-.391 x .938 x .105 HD
6	424615	Bracket, Belt Guide
7	424367	Dust Shield
8	483323	Pulley, 5.13" Dia.
9	483012	Belt, Cutter Deck
10	483851	Pulley, 5" Idler
11	483422	Pulley, 5" Idler
12	43711	Spacer, Idler Pulley
13	04041-11	Flatwasher, 3/8-.406 x 1-1/2"
14	483453-03	Bearing
15	462191	Idler Arm Assembly (incl. #14)
16	04001-62	Bolt, Hex Head 3/8-16 x 3-1/4"
17	425117	Belt Cover, SFW 48
18	43708	Pivot, Idler
19	04110-03	U-Nut, 3/8-16
20	481625-01	Knob, w/Stud
21	43703	Spacer, Bearing
22	483379	Bearing
23	04001-46	Bolt, Hex Head 3/8-16 x 2-1/4"
24	04021-22	Nut, Elastic Stop 5/16-18
25	04030-03	Lockwasher, 5/16" Spring
26	04001-136	Bolt, Hex Head 3/8-16 x 1-1/2" Gr.8
27	483375	Spring, Deck Idler
28	04019-04	Nut, Serrated Flange 3/8-16
29	04041-38	Flatwasher, 3/8-.406 x 2-1/4 x .187
30	04001-77	Bolt, Hex Head 3/8-16 x 3-1/2"
31	04001-175	Bolt, Hex Head 5/16-18 x 1-1/2" Gr.8
32	481706	Cutter Blade, 16-1/2"
33	04043-06	Flatwasher, 5/8-.688 x 1-3/4 x .134 HD
34	04030-07	Lockwasher, 1/2" Spring
35	04001-121	Bolt, Hex Head 5/8-11 x 1-1/2"
36	461950	Spindle Assembly
37	483304	Debris Shield
38	483303	Bearing
39	43693	Spacer, Bearing
40	462014	Spindle Housing Assembly (incl. #38 & #39)
41	43694	Protector, Bearing
42	43695	Shaft, Spindle
43	04001-51	Bolt, Hex Head 3/8-16 x 3-3/4"
44	04021-10	Nut, Elastic Stop 5/16-18
45	04001-12	Bolt, Hex Head 5/16-18 x 1-3/4"
46	04001-154	Bolt, Hex Head 5/16-18 x 4-3/4"
47	482245	Spring, Discharge Chute
48	462031	Discharge Chute Assembly

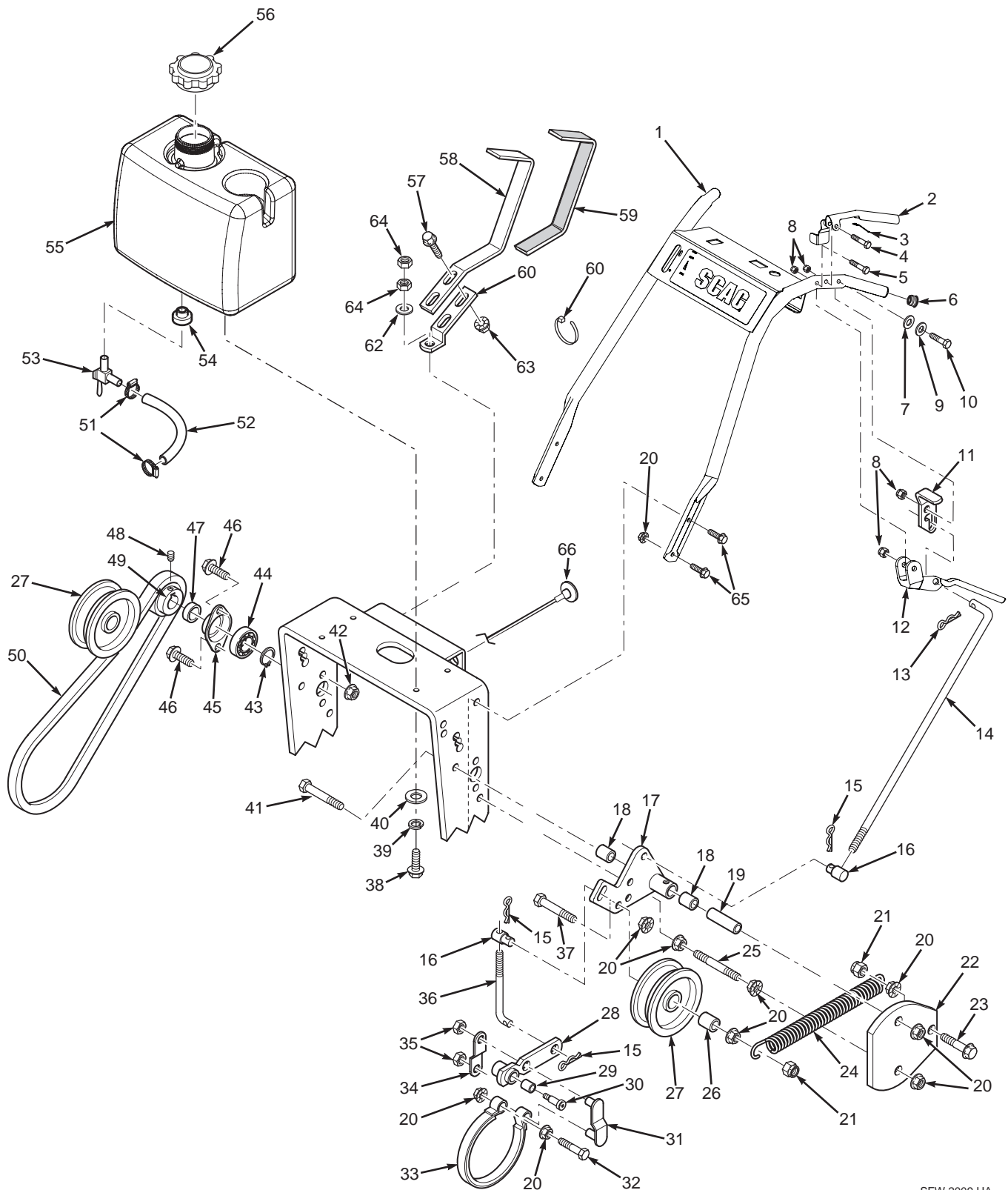
CUTTER DECK CONTROLS



CUTTER DECK CONTROLS

Ref. No.	Part No.	Description
1	462183	Belt Cover, SFW w/Decals
2	462181	Frame Weldment w/Decals
3	04009-13	Bolt, Shoulder 1/2 x 1-1/2"
4	425023	Pusharm
5	43041	Spacer
6	04009-10	Bolt, Shoulder 1/2 x 2-3/4"
7	04019-04	Nut, Serrated Flange 3/8-16
8	04021-09	Nut, Elastic Stop 3/8-16
9	04043-04	Flatwasher, 3/8-.391 x .938 x .105 HD
10	425076	Mounting Bracket, Height Adjustment Rear
11	425077	Mounting Bracket, Height Adjustment Front
12	43572	Spacer
13	462188	Bracket, Deck Lift Height Adjustment - LH w/Decal
	462189	Bracket, Deck Lift Height Adjustment - RH w/Decal
14	04001-46	Bolt, Hex Head 3/8-16 x 2-1/4"
15	04001-31	Bolt, Hex Head 3/8-16 x 2-1/2"
16	04062-01	Hair Pin Cotter, .094 x 1.62"
17	04067-13	Pin, Ring 3/8 x 2-1/2"
18	481428	Grip
19	483922	Caster Wheel Assembly, 9 x 3.5-4
20	48114-03	Grease Fitting, 45 Degree 1/4-28
21	481770	Bearing, Oilite
22	481769	Bearing, Roller
23	483981	Tire Only, Caster Wheel
	483921	Rim Only
24	43022	Sleeve, Caster Wheel
25	04001-37	Bolt, Hex Head 1/2-13 x 5-1/2"
26	04021-07	Nut, Elastic Stop 1/2-13
27	45006	Caster Yoke Weldment
28	483453-07	Bearing
29	04066-01	Quick Pin
30	04029-04	Wing Nut, 3/8" Plastic Small
31	04024-02	Nut, Push-On 3/8"
32	04003-23	Bolt, Carriage 3/8-16 x 1"

HANDLE ASSEMBLY



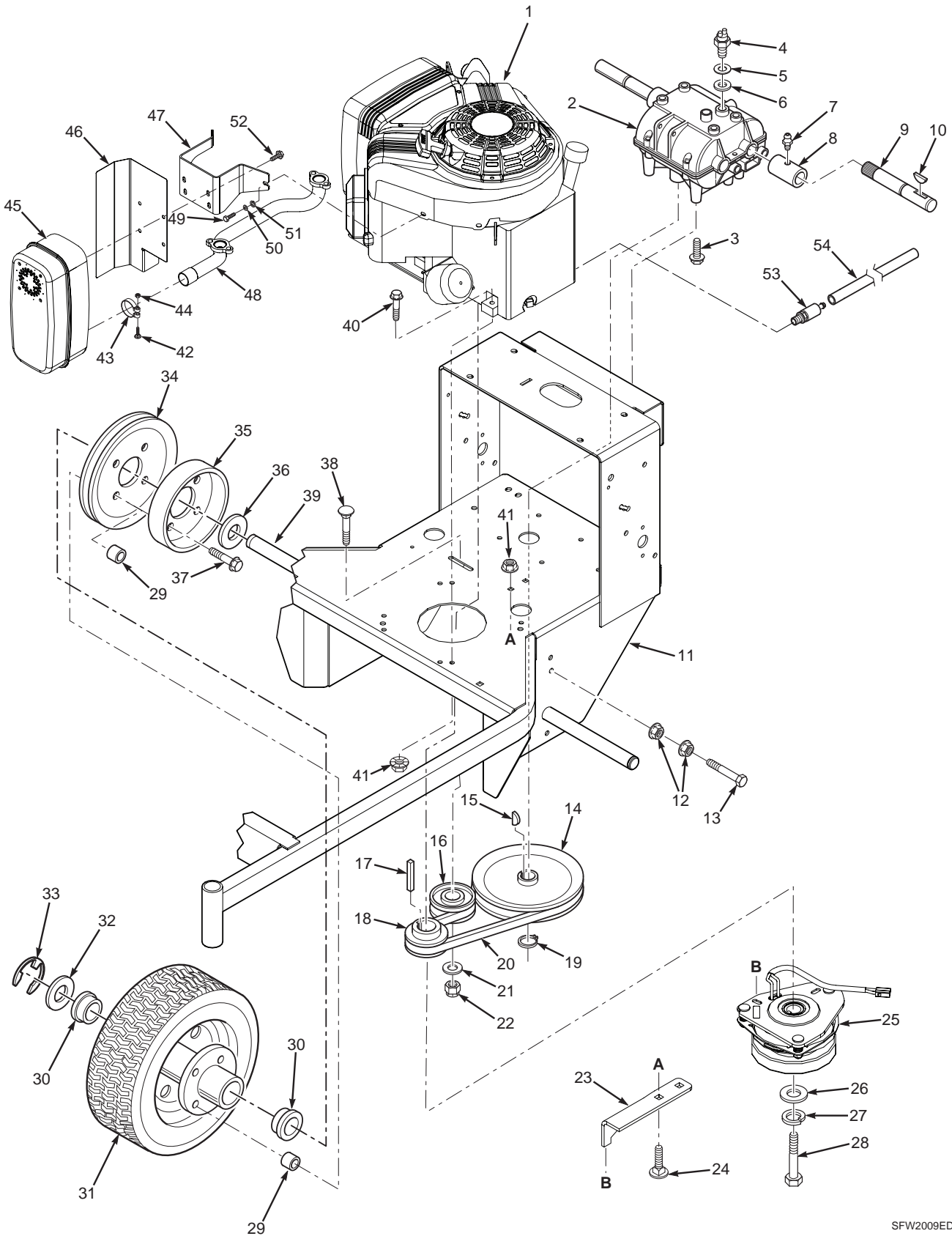
SFW 2009 HA

HANDLE ASSEMBLY

Ref. No.	Part No.	Description
1	462187	Handle Weldment w/Decals
2	452039	Operator Presence Handle, LH
	452040	Operator Presence Handle, RH
3	483941	Spring, Operator Presence
4	04001-13	Bolt, Hex Head 5/16-18 x 2-3/4"
5	04001-53	Bolt, Hex Head 5/16-18 x 2-1/2"
6	483161	Plug, Handle Bar
7	04032-01	Washer, Curved Spring
8	04021-10	Nut, Elastic Stop 5/16-18
9	04040-15	Flatwasher, 5/16-.375 x .875 x .083
10	04001-17	Bolt, Hex Head 5/16-18 x 2"
11	461241	Neutral Latch Assembly, LH
	461242	Neutral Latch Assembly, RH
12	483870	Lever, Steering Brake
13	04062-02	Hair Pin Cotter
14	44140	Rod, Steering Control
15	04062-01	Hair Pin Cotter
16	43032	Swivel Joint
17	462173	Idler Bracket Assembly, RH
	462172	Idler Bracket Assembly, LH
18	483453-18	Bearing
19	43768	Sleeve
20	04019-04	Nut, Serrated Flange 3/8-16
21	04021-09	Nut, Elastic Stop 3/8-16
22	421360	Belt Guard
23	04017-28	Bolt, Serrated Flange 3/8-16 x 1-1/4"
24	48755	Spring
25	04004-17	Stud, 3/8-16 x 5"
26	43282	Spacer
27	483820	Pulley, Idler 5"
28	462171	Lever Weldment, Brake w/Bearing
29	483453-19	Bearing
30	04009-09	Bolt, Shoulder 1/2 x 1"
31	45093	Link Weldment, Brake
32	04001-45	Bolt, Hex Head 3/8-16 x 2"

Ref. No.	Part No.	Description
33	48210	Brake Band Assembly
34	42254	Link, Brake
35	04024-01	Nut, Push-On
36	44177	Rod, Brake
37	04001-62	Bolt, Hex Head 3/8-16 x 3-1/4"
38	04001-09	Bolt, Hex Head 5/16-18 x 1"
39	04030-03	Lockwasher, 5/16" Spring
40	04040-15	Flatwasher, 5/16-.375 x .875 x .083
41	04001-23	Bolt, Hex Head 3/8-16 x 4-1/2"
42	04019-02	Nut, Serrated Flange 1/4-20
43	04050-09	Retaining Ring, 5/8" Ext.
44	48224	Bearing, Jackshaft
45	48223	Flange, Jackshaft Bearing
46	04017-05	Bolt, Serrated Flange 1/4-20 x 3/4"
47	43801	Spacer, Jackshaft
48	04012-04	Set Screw, Hex Socket 5/16-18
49	483821	Pulley, Jackshaft 3.25 OD x .625 Bore
50	483814	Belt, Wheel Drive
51	48059-01	Clamp, 1/4" ID Fuel Hose
52	483617	Fuel Hose, 1/4" ID (order by inch)
53	483747	Valve, Fuel Shutoff w/Screen
54	482571	Bushing, .56 Dia. Viton
55	461729	Fuel Tank Assembly (incl. #53 & #54)
56	483792	Cap, Fuel Tank
57	04017-17	Bolt, Serrated Flange 5/16-18 x 1"
58	461163	Shift Lever Extension w/Grip
59	481839	Grip, Shift Handle
60	48028-05	Cable Tie
61	422279	Shift Lever
62	04041-07	Flatwasher, 3/8-.391 x .938 x .105
63	04019-03	Nut, Serrated Flange 5/16-18
64	04020-14	Nut, 3/8-24 UNF
65	04017-27	Bolt, Serrated Flange 3/8-16 x 1"
66	483646	Choke Control

ENGINE DECK



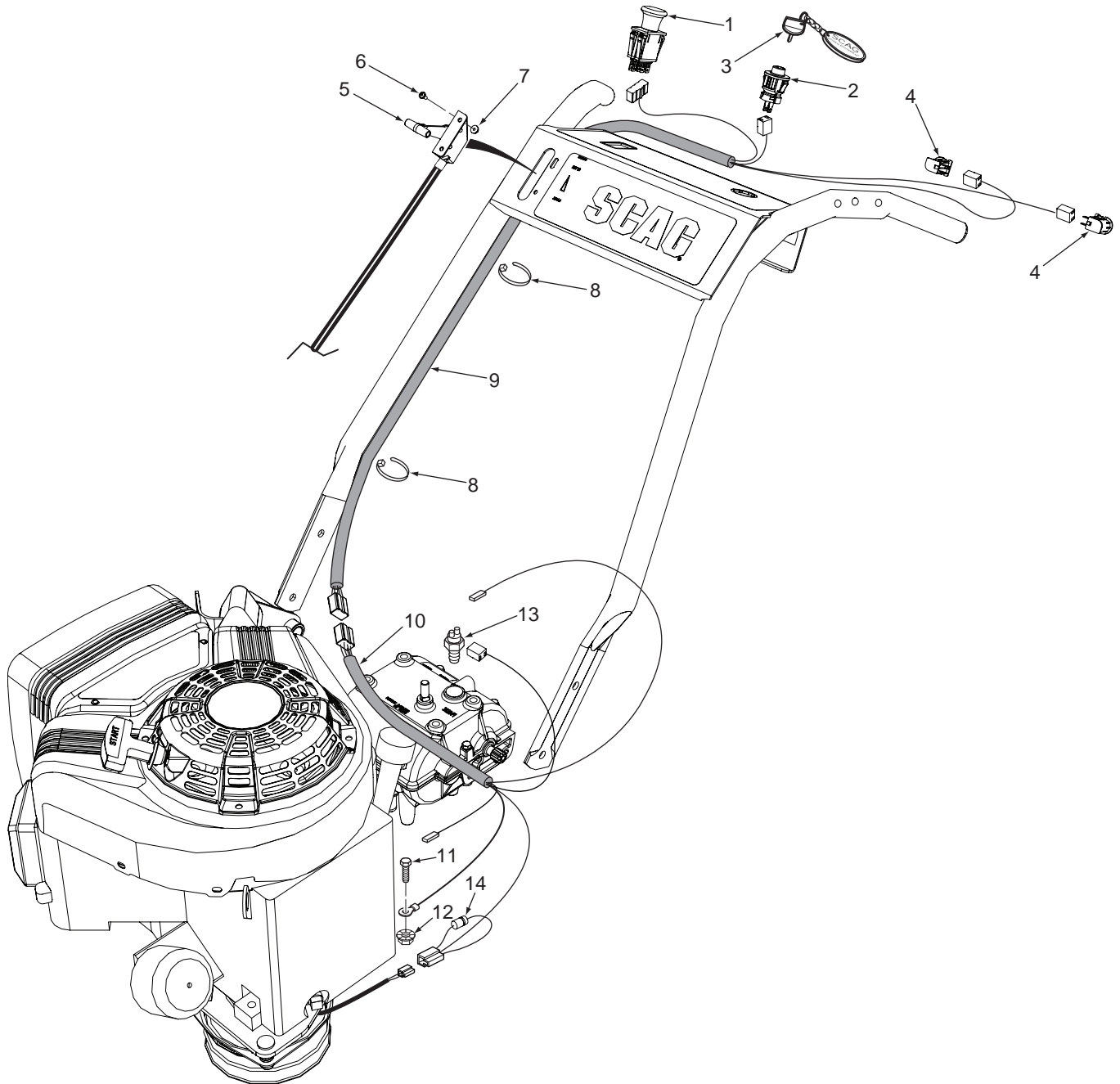
SFW2009ED

ENGINE DECK

Ref. No.	Part No.	Description
1	*483796	Engine, 16HP Briggs & Stratton
2	483822	Transmission, 4-Speed
3	04017-16	Bolt, Serrated Flange 5/16-18 x 3/4"
4	48231	Switch, Neutral Interlock
5	48122-01	Fiber Washer, Thin
6	48122-02	Fiber Washer, Thick
7	48114-05	Grease Fitting, Straight 1/4-28
8	481581	Coupler, Jackshaft
9	481582	Jackshaft
10	04063-09	Key, Hi-Pro #9
11	462181	Frame Weldment w/Decals
12	04019-04	Nut, Serrated Flange 3/8-16
13	04001-45	Bolt, Hex Head 3/8-16 x 1"
14	48197	Pulley, Transmission Input
15	04063-07	Key, Woodruff #9
16	483638	Pulley, Idler 3-1/2"
17	04063-19	Key, 1/4 x 1/4 x 3/4"
18	483823	Pulley, 2-3/4 OD x 1" Bore
19	04050-09	Retaining Ring, .625 Ext.
20	483816	Belt, Transmission
21	04043-04	Flatwasher, 3/8-.391 x .935 x .105 HD
22	04021-09	Nut, Elastic Stop 3/8-16
23	425051	Bracket, Anti-Rotation
24	04003-12	Bolt, Carriage 5/16-18 x 3/4"
25	462192	Clutch, Ogura GT1A
26	04041-28	Flatwasher, 7/16-.469 x 1-3/4 x .25
27	04043-05	Lockwasher, 7/16" Spring
28	04102-05	Bolt, Hex Head 7/16-20 x 2-3/4" w/ Patch
29	43796	Spacer, Wheel Assembly
30	483916	Bearing
31	483881	Wheel Assembly
	481842	Tire Only 15 x 6.0-6
	483880	Rim Assembly Only
32	04041-14	Flatwasher, 1-1.062 x 1-1/2 x .0478
33	04050-08	Retaining Ring, 1" Ext. "E"
34	483712	Pulley, Wheel
35	48209	Brake Drum
36	04041-39	Flatwasher, 1-1.063 x 1-1/2 x .105
37	04017-19	Bolt, Hex Head 5/16-18 x 1-1/2" SF
38	04003-03	Bolt, Carriage 3/8-16 x 2"
39	43085	Wheel Axle
40	04017-19	Bolt, Serrated Flange 5/16-18 x 1-1/2"
41	04019-19	Nut, Serrated Flange 5/16-18
42	04003-37	Bolt, Carriage 5/16-18 x 1-1/4"
43	*	Muffler Clamp
44	04020-03	Nut, 5/16-18 UNC
45	*	Muffler, 16HP Briggs & Stratton
46	*	Heatshield, 16HP Briggs & Stratton
47	*	Mounting Bracket, Muffler 16HP Briggs & Stratton
48	*	Exhaust Manifold, 16HP Briggs & Stratton
49	04002-21	Bolt, M6-1 x 16mm
50	04030-02	Lockwasher, 1/4" Spring
51	04040-14	Flatwasher, 1/4-.312 x .750 x .065
52	04011-13	Capscrew, 1/4-20 x 3/4" Shakeproof
53	483940	Oil Drain, SFW
54	483280-02	Tubing, Oil Drain 1/2 x 14"

* Available through Briggs & Stratton only

ELECTRICAL SYSTEM AND THROTTLE CONTROL



ELECTRICAL SYSTEM AND THROTTLE CONTROL

Ref. No.	Part No.	Description
1	483957	Switch, PTO 10 Amp
2	48609	Keyswitch
3	462069	Key Chain w/Keys
	483609	Key w/Shroud
4	48717	Switch
5	483904	Throttle Cable
6	04010-01	Screw, #10-32 x 1/2"
7	04019-01	Nut, #10-32
8	48028-05	Cable Tie
9	483872	Wire Harness, Handle Bar
10	483960	Wire Harness, Engine Deck
11	04017-19	Bolt, Serrated Flange 5/16-18 x 1-1/2"
12	04019-03	Nut, Serrated Flange 5/16-18

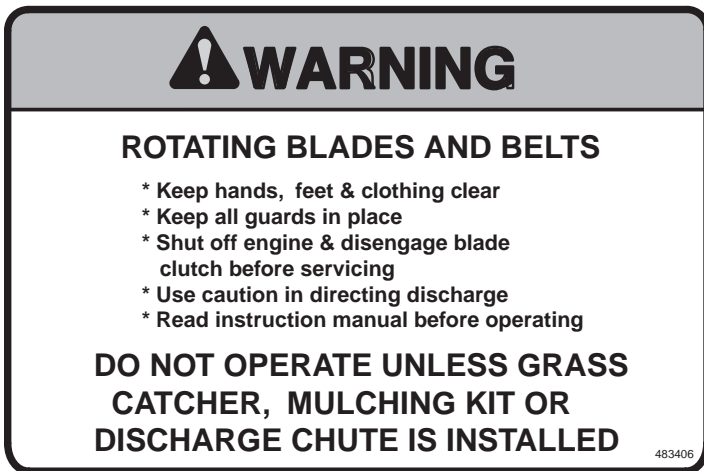
REPLACEMENT DECALS AND INFORMATION PLATES



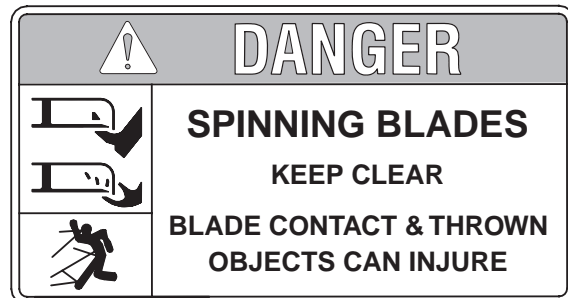
1



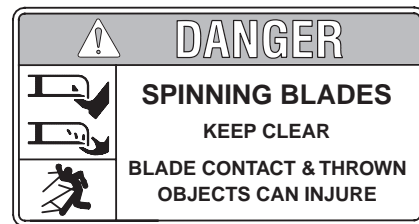
2



4



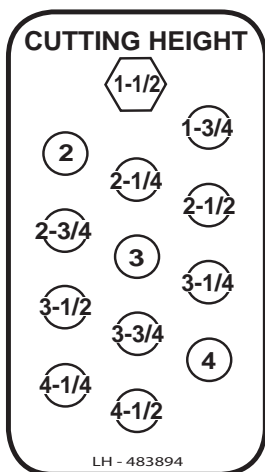
3



6



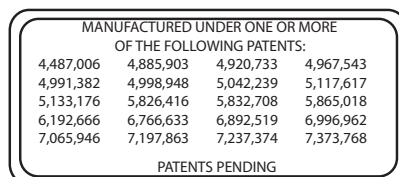
5



7



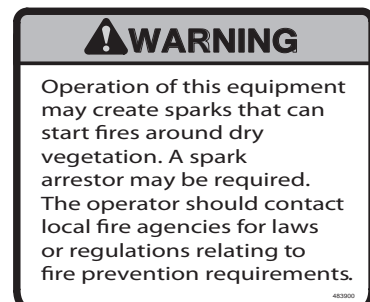
8



16



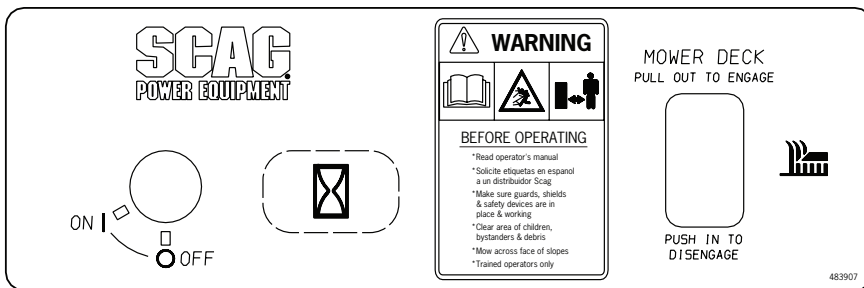
9



10

REPLACEMENT DECALS AND INFORMATION PLATES

Ref. No.	Part No.	Description
1	483402	Decal, Belt Cover
2	483405	Decal, Discharge Chute
3	483505	Decal, Spinning Blades
4	483406	Decal, Warning-Rotating Blades
5	483404	Decal, Sulky Attachment
6	483407	Decal, Danger-Spinning Blades
7	483894	Decal, Cutting Height LH
	483895	Decal, Cutting Height RH
8	48404	Decal, Metalcraft - Made in USA
9	481971	Decal, Heavy Duty Commercial
10	483900	Decal, Warning Spark Arrestor
11	483907	Decal, Instrument Panel Rear
12	483908	Decal, Shift Index SFW
13	483494	Decal, 48 Commercial
	483710	Decal, 36 Commercial
14	481483	Decal, Instrument Panel Front
15	48314	Decal, Scag Logo
16	483044	Decal, Patents



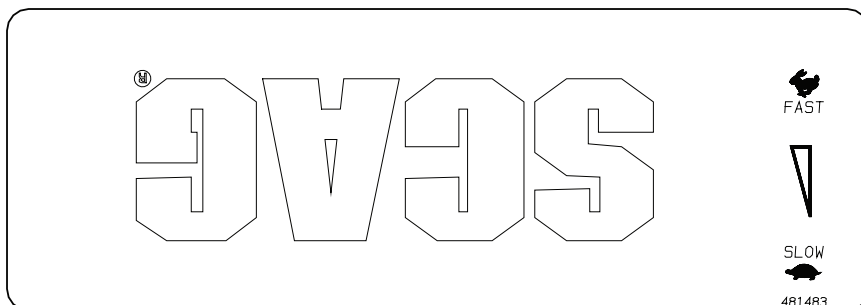
11



12



13

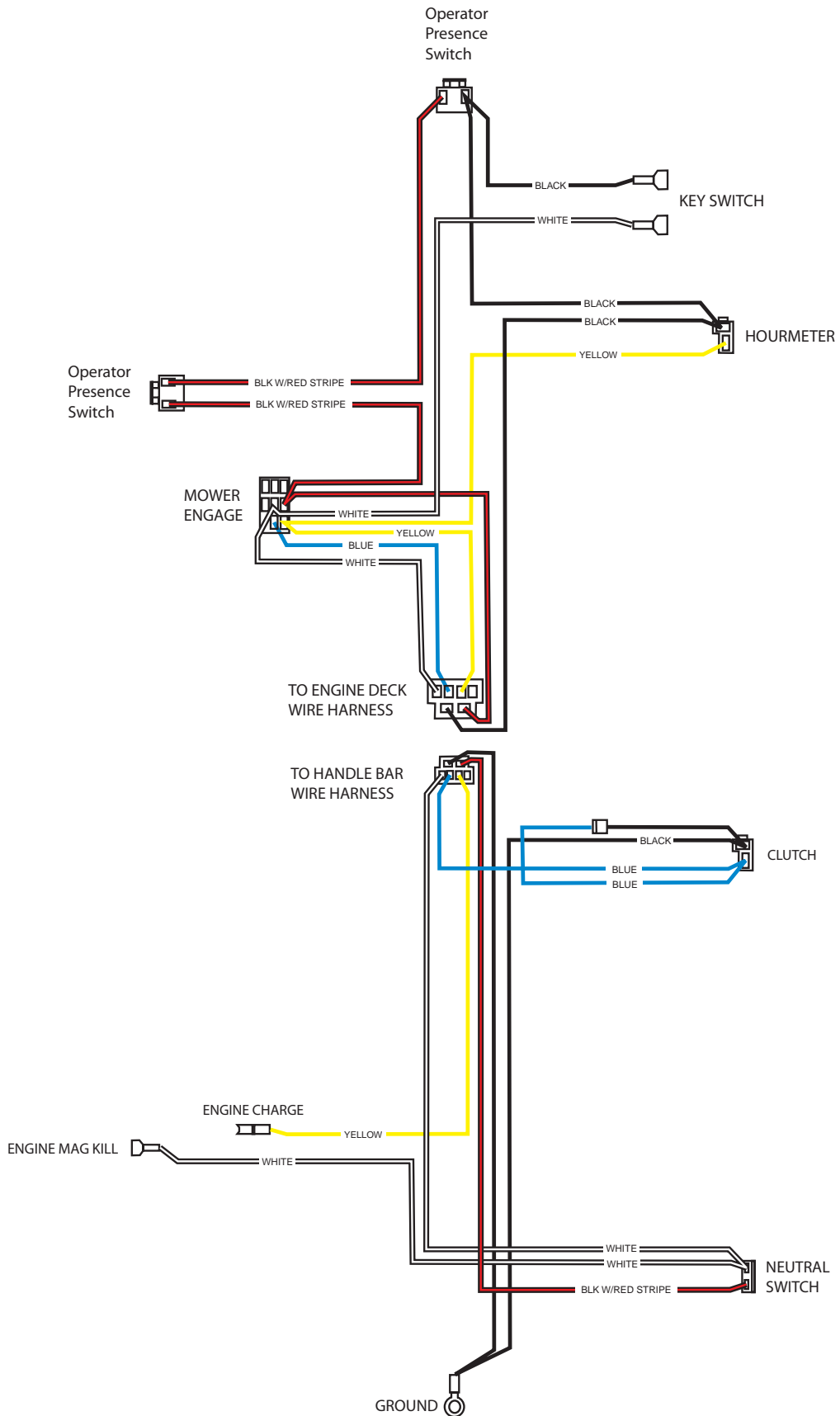


14



15

SFW ELECTRICAL SCHEMATIC



Free Manuals Download Website

<http://myh66.com>

<http://usermanuals.us>

<http://www.somanuals.com>

<http://www.4manuals.cc>

<http://www.manual-lib.com>

<http://www.404manual.com>

<http://www.luxmanual.com>

<http://aubethermostatmanual.com>

Golf course search by state

<http://golfingnear.com>

Email search by domain

<http://emailbydomain.com>

Auto manuals search

<http://auto.somanuals.com>

TV manuals search

<http://tv.somanuals.com>