

Getting Started .....	3
Specifications .....	5
Opening the Package .....	9
Installation .....	9
Important Safety Guidelines .....	10
Television Antenna Connection Protection .....	13
Product Browse .....	15
Display .....	15
Note: wall-mounted .....	16
TV Info Explained .....	19
Source PC & AV Explained .....	19
Media Box .....	21
Media Box Rear View Connector Definitions .....	22
Picture Quality of All Connections from Ok to Best .....	24
Quick Installation .....	26
Installation batteries of remote control .....	26
Connecting the Display with Media Box .....	26
Connecting the Display with Media Box .....	27
Connecting the AC Power Cord.....	29
Connecting AV1 / AV2 Port .....	30
Connecting Component HD Port .....	31
Connecting HDMI-1, HDMI-2 Port.....	32
Connecting ATSC Tuner .....	34
Connecting Line Out Port .....	34
Connecting VGA Port .....	35
Connecting to TV Speaker .....	36

Connecting Headphone Out Port .....	36
For Analog Cable and Antenna Users.....	37
For Set-top Box Users (including Digital Cable, Satellite, other video displaying devices) .....	37
For HDTV Antenna ATSC Tuner Users .....	38
<b>Using the X42 .....</b>	<b>39</b>
Remote Control .....	39
OSD (On Screen Display Menu).....	52
TV input.....	54
AV1 & AV2 inputs .....	57
Y Pb Pr1 (Component), VGA-Y Pb Pr2, HDMI-1, HDMI-2, HDCP-1, HDCP-2 inputs.....	60
VGA-PC input .....	62
DVI input .....	65
DTV input mode .....	67
<b>Other Information .....</b>	<b>76</b>
Cleaning the LCD TV .....	76
Warning .....	76
Troubleshooting.....	77
<b>Appendix .....</b>	<b>81</b>
FCC Compliance Statement .....	81
European Notice .....	82

# Getting Started

Congratulations on your SCEPTRE X42 42" LCD Television purchase. Thank you for your support of SCEPTRE and its LCD Television product line. The X42 is a precise electronic product and you should read the following instructions carefully to maximize its performance. It has passed regulatory safety certifications and you can be assured of the highest quality display with the utmost reliability. After you have finished reading the instructions, put them away in a safe place for future reference. Please also record the X42's part number and serial number as found on the label off the back of your LCD TV set, in the space provided below.

TV Display P/N: \_\_\_\_\_

TV Display S/N: \_\_\_\_\_

Media Box P/N: \_\_\_\_\_

Media Box S/N: \_\_\_\_\_

# Package Contents

Your SCEPTRE X42 package includes:

## Box 1 of 2



- TV Display x 1

## Box 2 of 2



- Media Box (SKU#XHD1920-1H)x 1
- User manual x 1
- Connecting Cable (connecting TV display with Media box) x 1
- Warranty Card x 1
- Power Cord x 1
- VGA Cable x 1
- PC Audio Cable x 1
- HDMI/DVI Cable x 1
- Audio/Video Cable x 1
- Component (Y Pb Pr) Cable x 1
- VGA/Component (Y Pb Pr2) Cable (optional) x 1
- Audio Wire Set x 2
- Remote Control x 1
- Batteries x 2 (Size AA, R6)
- Plastic cover for stand opening (use when wall mounting the display) x 2

# Specifications

<b>Display panel</b>	
<b>Item</b>	<b>Illustration</b>
Active Area / Screen Size	930.24 (H) x 523.26 (V)mm (diagonal 42.02 inches)
Aspect Ratio	Widescreen 16:9
Pixel Pitch	0.1615 (H) x RGB x 0.4845 (V)mm
Max. of Pixels (Resolution)	HD (1920 x 1080 pixels) resolution
Brightness	500 nits (Typical)
Contrast	1200:1 (Typical)
Response Time	6.5ms (gray to gray)
Viewing Angle	Typical 176 Degree (Horizontal/Vertical)
Lamp Life of Backlight	> 50000hrs

<b>Media box</b>	
Dimension	362.5(L) x 440(W) x 91(H)mm
Power input	100-240AVC, 50/60Hz, 3.6A max, 320W
<b>Function</b>	
<b>(1)Video</b>	
PIP/POP	PIP only
De-interlace	3D
Frame conversion	Yes
Frame recover	3:2, 2:2
Noise reducing core technology	3D
Aspect ratio	4:3, 16:9, zoom full, zoom full sub-title
Color enhancement	Vivid color, Skin tone, G,B

Dynamic contrast	Yes( Tuner/Video decoder )
Sharpness	DLTI/DCTI
Gamma	10bit / 5 curves
Lamp adjust	Yes
Picture mode	User mode / Standard / Nature / Game/ Cinema
Video adjust	Contrast / Brightness / Color / Hue
3 levels of color Temp. For VGA	High / Middle / Low
<b>(2)Audio</b>	
Tone	Bass / Treble / Balance
AVC(Auto Volume Control)	Yes
Loudness	Yes
Pseudo surround	Yes
Sound mode	User mode / POP / Soft / Dialog / Cinema
Speakers	10 watt per channel
<b>(3) General</b>	
Channel auto scan	Yes
Quick channel change	2 digit channels and change channel within 0.3s
Sleep timer	Off /30mins /60mins /90mins /120mins
Standby power	Under 1W
Timing support-Video	SDTV: 480i EDTV: 480p /576i /576p HDTV: 720p /1080i / 1080p
<p><b>Note:</b></p> <p><b>Standard Definition TV (SDTV):</b> Basic digital television transmission that may be displayed with fewer than 480 progressively scanned lines (480p) in 16:9 or 4:3 format. 480 interlaced (480i) is the quality of today's analog TV system. SDTV provides 150-300,000 pixels.</p>	

**Enhanced Definition TV (EDTV):** A better digital television transmission than SDTV with at least 480p, in a 16:9 or 4:3 display and Dolby digital surround sound. 480p is the quality used by most DVD players. EDTV provides 300-400,000 pixels.

**High-Definition Television (HDTV):** The best quality digital picture, widescreen (16:9) display with at least 720 progressively scanned lines (720p) or 1080 interlaced lines (1080i) and Dolby digital surround sound. HDTV provides 900,000-2.1 million pixels.

PC timing	1920*1080@60Hz(native) 1280*1024@60Hz 1280*720@60Hz 1024*768@60/70/75Hz 800*600@56/60/72/75Hz 640*480@60/72/75Hz 640*400@70/85Hz
-----------	--

**(4)NTSC/ATSC**

NTSC	Sound: Mono / Stereo / SAP
	Favorite Channel
	V-chip
	Closed caption (CC1-CC4, Text 1-Text 4)

ATSC	Sound: Mono / Stereo / SAP
	Favorite Channel
	V-chip
	Video input format: 1080i, 720p, 480p, 480i
	Closed caption (CC1-CC4, CS1-CS4)

**(5)I/O**

NTSC(ASIA / Japan)	AV1, AV2, YPbPr1, VGA- YPbPr2 HDMI-1/HDCP-1(option), HDMI-2/HDCP-2(option), AV Line out Sub woofer out, Head phone
--------------------	---



# Opening the Package

The SCEPTRE X42 is packaged in a carton together with other standard accessories. Any accessories are packed separately in another carton.

The weight of the LCD display is approximately 80 lbs. Due to the size and weight of the product, it is suggested that it be handled by a minimum of 2 or more persons.

Since the glass can be easily scratched or broken, please handle the product gently. Never place the unit on a surface with the glass facing downwards unless it is on protective padding.

When opening the carton, check that the product is in good condition and that all standard accessories and items are included.

Save the original box and all packing materials for future shipping needs.

## Installation

Please read the user manual carefully before performing the installation.

The power consumption of the display is approximately 300 watts.

Please use the power cord designated for the product. When an extension cord is required, use one with the correct power rating. The cord must be grounded and the grounding feature must not be defeated.

The product should be installed on a flat surface to avoid tipping. Space should be maintained between the back of the product and the wall for proper ventilation. If you would like mount the TV to the wall, please see page 16, for additional information.

Avoid installing the product in the kitchen, bathroom or other places with high humidity dust or smoke, so as not to shorten the service life of the electronic components. Please ensure the product is installed with the screen in landscape orientation. Any 90° clockwise or counterclockwise installation may induce poor ventilation and successive component damage.

# Important Safety Guidelines

This product is designed and manufactured to operate within defined design limits, and misuse may result in electric shock or fire.

To prevent the product from being damaged, the following rules should be observed for the installation, use and maintenance of the product. Read the following safety instructions before operating the display. Keep these instructions in a safe place for future reference.

- To avoid the risk of electric shock or component damage, switch off the power before connecting other components to the X42 LCD TV's Media Box.
- Unplug the power cord before cleaning the X42 LCD TV and Media Box. A damp cloth is sufficient for cleaning the X42 LCD TV and Media Box. Do not use a liquid or a spray cleaner for cleaning the product. Do not use abrasive cleaners.
- Always use the accessories recommended by the manufacturer to insure compatibility.
- When moving the X42 LCD TV and Media Box from an area of low temperature to an area of high temperature, condensation may form on the housing.
- Do not turn on the X42 LCD TV immediately after this to avoid causing fire, electric shock or component damage.
- Do not place the X42 LCD TV and Media Box on an unstable cart, stand, or table. If the X42 LCD TV and Media Box falls, it can injure a person and cause serious damage to the appliance. Use only a cart or stand recommended by the manufacturer or sold with the X42 LCD TV and Media Box.
- Any heat source should maintain a distance of at least 5 feet away from the X42 LCD TV and Media Box, i.e. radiator, heater, oven, amplifier etc. Do not install the product too close to anything that produces smoke or moisture. Operating the product close to smoke or moisture may cause fire or electric shock.

- Slots and openings in the back and bottom of the cabinet are provided for ventilation. To ensure reliable operation of the X42 LCD TV and Media Box and to protect it from overheating, be sure these openings are not blocked or covered. Do not place the X42 LCD TV and Media Box in a bookcase or cabinet unless proper ventilation is provided.
- Never push any object into the slot on the X42 LCD TV and Media Box cabinet. Do not place any objects on the top of the product. It could short circuit parts causing a fire or electric shock. Never spill liquids on the X42 LCD TV and Media Box.
- The X42 LCD TV and Media Box should be operated only from the type of power source indicated on the label. If you are not sure of the type of power supplied to your home, consult your dealer or local power company.
- The power cable must be replaced when using different voltage from that specified in the User Manual. For more information, contact your dealer.
- The X42 LCD TV's Media Box is equipped with a three-pronged grounded plug, a plug with a third (grounding) pin. This plug will fit only into a grounded power outlet as a safety feature. If your outlet does not accommodate the three-wire plug, have an electrician install the correct outlet, or use an adapter to ground the appliance safely. Do not defeat the safety purpose of the grounded plug.
- Do not overload power strips and extension cords. Overloading can result in fire or electric shock.
- The wall socket shall be installed near the equipment and shall be easily accessible.
- Only the marked power source can be used for the product. Any power source other than the specified one may cause fire or electric shock.
- Do not touch the power cord during lightning. To avoid electric shock, avoid handling the power cord during electrical storms.

- Unplug the unit during a lightening storm or when it will not be used for long period of time. This will protect the X42 LCD TV and Media Box from damage due to power surges.
- Do not attempt to repair or service the product yourself. Opening or removing the back cover may expose you to high voltages, the risk of electric shock, and other hazards. If repair is required, please contact your dealer and refer all servicing to qualified service personnel.
- Keep the product away from moisture. Do not expose this appliance to rain or moisture. If water penetrates into the product, unplug the power cord and contact your dealer. Continuous use in this case may result in fire or electric shock.
- Do not use the product if any abnormality occurs. If any smoke or odor becomes apparent, unplug the power cord and contact your dealer immediately. Do not try to repair the product yourself.
- Avoid using dropped or damaged appliances. If the product is dropped and the housing is damaged, the internal components may function abnormally. Unplug the power cord immediately and contact your dealer for repair. Continued use of the product may cause fire or electric shock.
- Do not install the product in an area with heavy dust or high humidity. Operating the product in environments with heavy dust or high humidity may cause fire or electric shock.
- Hold the power connector when removing the power cable. Pulling the power cable itself may damage the wires inside the cable and cause fire or electric shock. When the product will not be used for an extended period of time, unplug the power connector.
- To avoid risk of electric shock, do not touch the connector with wet hands.
- Insert batteries in accordance with instructions while using the remote control. Incorrect polarities may cause damage and leakage of the batteries, operator injury and contamination the remote control.
- If any of the following occurs please contact the dealer:
  - The power connector fails or frays.

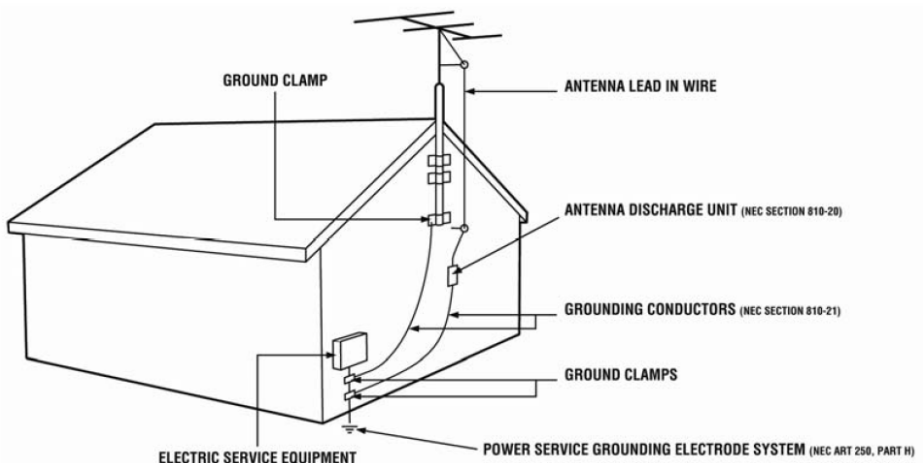
- Liquid sprays or any object drops into the X42 LCD TV and Media Box.
- The Display is exposed to rain or other moisture.
- The Display is dropped or damaged in any way.
- The performance of the Display changes substantially.
- Operating environment: Temperature: 5°C ~ 35°C, Humidity: 10% to 90% non-condensing, Altitude: 0~10,000 ft.

## Television Antenna Connection Protection

### External Television Antenna Grounding

If an outside antenna or cable system is to be connected to the LCD TV, make sure that the antenna or cable system is electrically grounded to provide some protection against voltage surges and static charges.

Article 810 of the National Electrical Code, ANSI/NFPA 70, provides information with regard to proper grounding of the mast and supporting structure, grounding of the lead-in wire to an antenna discharge unit, size of the grounding conductors, location of antenna discharge unit, connection to grounding electrodes, and requirements of the grounding electrode.



## **Lightning Protection**

For added protection of the LCD TV during a lightning storm or when it is left unattended or unused for long periods of time, unplug the LCD TV from the wall outlet and disconnect the antenna or cable system.

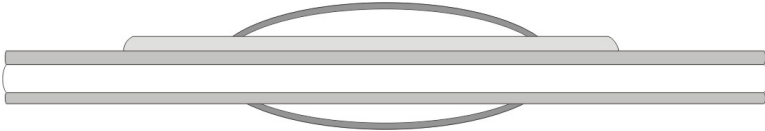
## **Power Lines**

Do not locate the antenna near overhead light or power circuits, or where it could fall into such power lines or circuits.

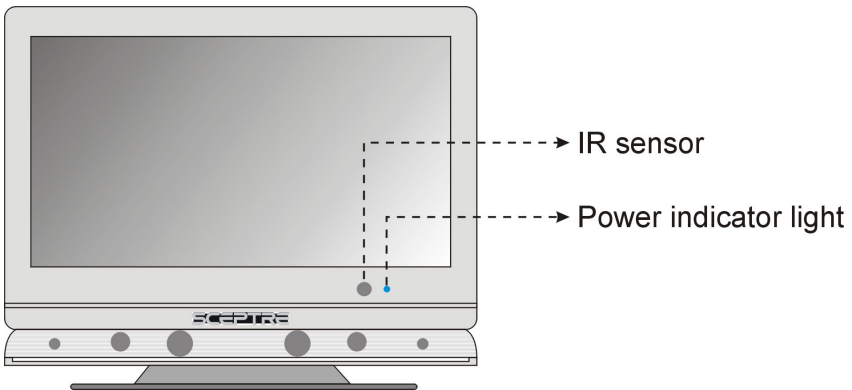
# Product Browse

## •Display

Top View



Front View

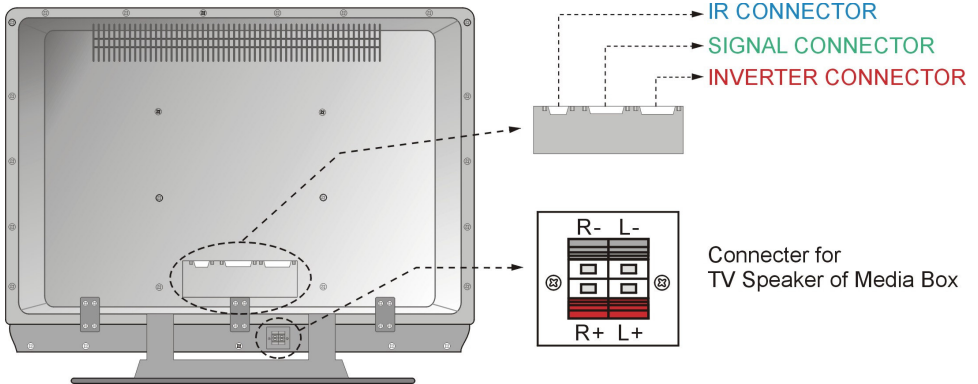


### *Note:*

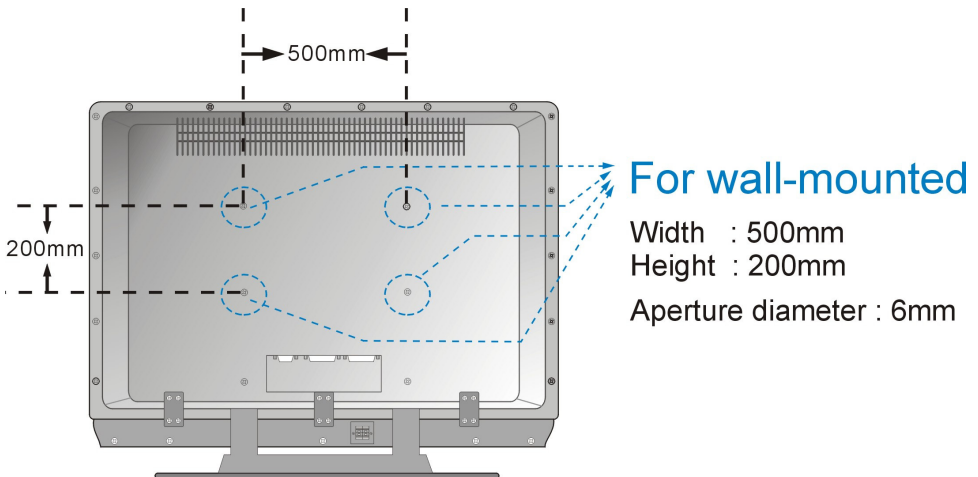
**Power indicator:** If light is blue, the TV is turned on. If the light is red, the TV is turned off and in standby mode. If the light is off, the inverter connector is not connected and no power is provided to the display panel.

**IR sensor:** Remote Control Sensor – This is the sensor that passes all of the remote signals to the media box. Point the remote control directly at this sensor for the best response to the remote signal.

## Rear View



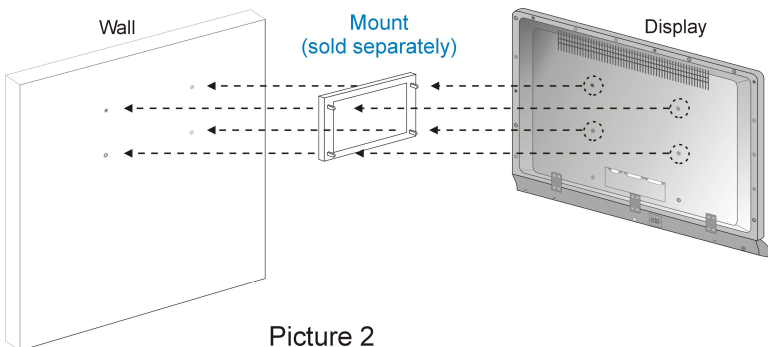
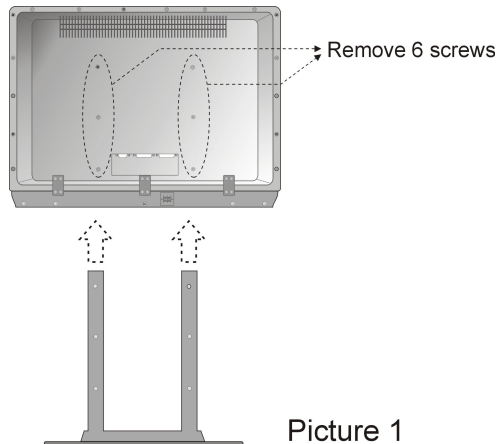
## Note: wall-mounted



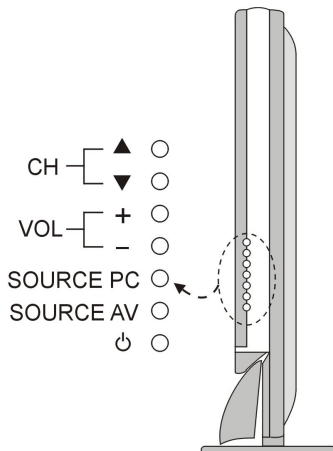


## Wall-mounted

1. Unplug all the cables and cords from the LCD TV.
2. Place the LCD TV face down on a soft and flat surface (blanket, foam, cloth, etc) to prevent any damage to the display.
3. Remove the 6 screws on the back panel of the TV located near the bottom so that the base stand can be removed (see Picture 1).
4. Gently pull the stand away from the display by grasping firmly to the base.
5. Now, the display can fit securely to a mount (sold separately) by utilizing the mounting holes in the center of the back panel of the display (see Picture 2).



## Side View



### About control keys

▲ CH ▼      + VOL -      SOURCE PC      SOURCE AV      ⏻

▲ CH ▼ Press CH buttons to switch between preprogrammed channels. If you are using DTV to view your television you can also use EPG button to navigate your channels.

+ VOL - Press VOL buttons to adjust the audio volume.

**SOURCE PC** Press this button to select among the following PC or DTV inputs – DTV, HDMI-1 (HDMI, HDCP, DVI), HDMI-2 (HDMI, HDCP, DVI), VGA-PC, VGA-YPbPr2. Please note HDMI, HDCP, and DVI are physically shared under the same HDMI port. The unit can automatically detect the input signal and port you use for connection and display on the screen. Please also note that the VGA port can be used as a second Component (YPbPr) port via the optional VGA-> Component (YPbPr) cable.

**SOURCE AV** Press this button to select among the following Video inputs – TV, AV1, AV2, YPbPr1 (Component).

⏻ Power on/off – Please note this is a passive power button and doesn't physically cut power off the TV but turn the TV into standby mode. When turning LCD on/off, wait 5-10 seconds before pressing the power button again.

## TV Info Explained

- Non DTV** On the upper left hand corner there's always an "M: "and an "S:". "M: " represents the main display while "S: "represents the sub-display also known as PIP window. "S: "is usually off because a PIP window is not present.
- DTV** On the top 1/3<sup>rd</sup> of the screen a information bar would appear, the information displayed would include what program you're watching, what time slot is the program playing in and what format is the program being displayed in.

## Source PC & AV Explained

- DTV** For ATSC tuner use only. ATSC tuner is a high definition over the airwave tuner that uses a high definition antenna to tune to local channels. If your local channel broadcasts in high definition this tuner will display high definition picture on the TV.
- HDMI-1** HDMI stands for High Definition Multimedia Interface. This type of connection is designed so that 1 single cable can handle both high definition digital video and audio at the same time. To view video and listen to audio with this source you must have a HDMI to HDMI cable. This type of connection is primarily used by satellite or digital cable boxes and up conversion DVD players.
- HDMI-2** connection is designed so that 1 single cable can handle both high definition digital video and audio at the same time. To view video and listen to audio with this source you must have a HDMI to HDMI cable. This type of connection is primarily used by satellite or digital cable boxes and up conversion DVD players.
- HDCP-1** HDCP stands for High-bandwidth Digital Content Protection. This type of function is designed so high definition video cannot be copied while hooked up to a recording device. HDCP is enabled in HDMI and in HDCP DVI mode. This type of connection is primarily used by satellite or digital cable boxes and up conversion DVD players. Please note to get sound out of HDCP mode you must connect an audio cable from your audio video device to the audio port labeled "PC Audio In".
- HDCP-2** function is designed so high definition video cannot be copied while hooked up to a recording device. HDCP is enabled in HDMI and in HDCP DVI mode. This type of connection is primarily used by satellite or digital cable boxes and up conversion DVD players. Please note to get sound out of HDCP mode you must connect an audio cable from your audio video device to the audio port labeled "PC Audio In".
- DVI-1** DVI stands for Digital Video Interface. This type of connection is designed so video can be digitally transferred to the television therefore display the colors
- DVI-2** video can be digitally transferred to the television therefore display the colors

of any video more accurately and vividly. This interface can be used by both PC and video displaying devices such as DVD player, satellite box, or digital cable box...etc. Please note to get sound out of DVI mode you must connect an audio cable from your audio video device to the audio port labeled "PC Audio In".

**VGA-PC** VGA stands for Video Graphics Array. This type of connection is designed so people can use their PCs on the 42" LCD/TV. This type of connection is primarily used by personal computers. Please note to get sound out of VGA mode you must connect an audio cable from your audio video device to the audio port labeled "PC Audio In".

**TV** This connection is for TV tuner only. TV tuner is actually a NTSC standard tuner, which can scan over the airwave UHF/VHF or Analog Cable (cable directly hooked up into the TV) TV stations and display them at standard definition (regular TV video resolution). This connection is primarily used by non-HD antennas or analog cables.

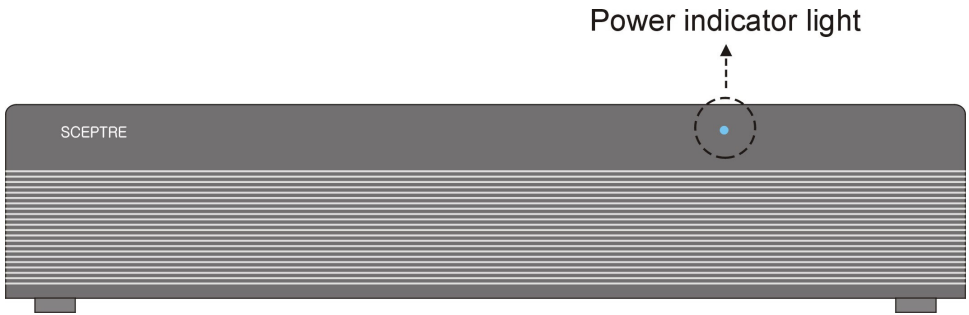
**AV1/AV2** This connection is for common audio video devices that use RCA (red yellow white) cable. This connection is primarily used by VCR, DVD player, DV camcorder, and video game consoles (XBOX 360, PS3, Gamecube).

**YPbPr 1 (Component)** High definition audio video devices can be connected to the port via 3 wires, red, green, and blue. Older audio video devices that display high definition video use this port. This connection is primarily used by DVD player, satellite box, digital cable box, and video game consoles (XBOX 360, PS3, Gamecube).

**VGA-YPbPr 2** This is a duplicate for YPbPr 1 (Component). Please use the optional VGA to Component conversion cable.

## •Media Box

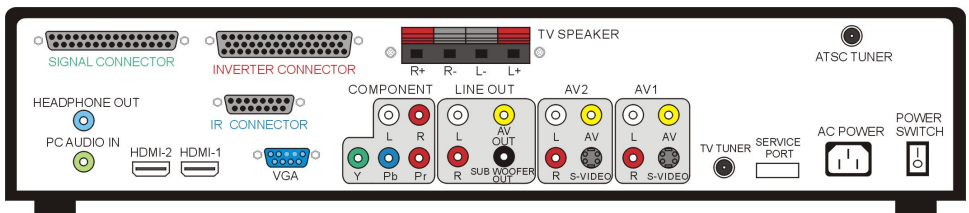
### Front View



### Note:

Power indicator: If light is blue, the TV is turned on. If the light is red, the TV is turned off and in standby mode. If the light is off, the inverter connector is not connected and no power is provided to the display panel.

### Rear View



## Media Box Rear View Connector Definitions

### 1. **Signal Connector**

This connector provides video signals to the display panel and has to be permanently connected. This connection uses propriety cable.

### 2. **Inverter Connector**

This connector provides power to the display panel and has to be permanently connected. This connection uses propriety cable.

### 3. **TV Speaker**

This connection port is for connecting the TV's speakers and provides sound signals to the TV's speakers. This connection uses speaker wires.

### 4. **ATSC Tuner**

This connection port is for connecting digital cable or high definition antennas. The tuner will tune to unscrambled digital cable channels or over the air wave high definition local channels. This connection port uses coaxial cable.

### 5. **Headphone Out**

This connection port is for people who want to use a headphone with the TV. The connection port uses a 3.5mm mini-jack audio cable.

### 6. **IR Connector**

This connector receives remote control commands from the display panel's IR sensor and has to be permanently connected. This connection uses propriety cable.

### 7. **PC Audio In**

This connection port is for people who want to provide audio to the TV when using devices such as PC or set-top box with a DVI output. The sources it provides audio for are HDCP, DVI, VGA-PC, or VGA-YPbPr2. For PC connection you would plug the provided 3.5mm mini-jack audio cord into your PC sound card and this port. For A/V devices such as DVI set-top box or DVI DVD player, you would use a RCA red/white to 3.5mm mini-jack cable for audio.

### 8. **HDMI (High Definition Capable)**

This connection port receives audio and high definition signal through one single cable. It also doubles as HDCP source and DVI source with the provided HDMI

to DVI conversion cable. You can connect an up conversion DVD player, computer (via DVI source), or set-top box through this cable. If you are using DVI or HDCP you will need to connect an audio connection to the PC Audio In connection port to provide audio. This connection uses a HDMI cable or a HDMI to DVI cable.

9. **Service Port**

This is used for factory service by SCEPTRE's technicians (do not tamper with this port).

10. **VGA (High Definition Capable)**

This connection port is used primarily by PCs via VGA-PC source. It also doubles as an optional YPbPr (component) port via VGA-YPbPr2 source, if you have the optional VGA to component conversion cable. With the optional cable you can connect to DVD players, game consoles, or set-top boxes. If you are using this port as the secondary YPbPr (component) port, you will need to connect an audio connection to the PC Audio In connection port to provide audio. This connection uses VGA cable or a VGA to component cable.

11. **Component (High Definition Capable)**

This connection port is for connecting DVD players, game consoles, or set-top boxes via YPbPr1 source. Use the connectors indicated by the green (Y), blue (Pb), and red (Pr) for video, and the white (L) and red (R) connectors for audio input. Select YPbPr 1 source for video/audio. This connection uses component cable.

12. **Line Out**

This connection port is used for sending out audio signals to other audio devices such as stereo/surround sound receivers and sending out video signals to other video device such as TV monitor or VCR. The red (R) and white (L) connectors sends out the audio signal. The yellow (AV OUT) connector sends out the video signal. The black (SUBWOOFER OUT) connector sends out bass signals to a subwoofer. This connection uses RCA audio cable for sound, composite cable for

video, and a subwoofer cable for bass.

### 13. **AV1 & AV2**

These connection ports are used for connecting composite devices, such as VCR, DVD player, game console, or set-top box via AV1 or AV2 source. Use the connectors white (L) and red (R) for audio and the yellow (AV) for video. You can also substitute the yellow (AV) by using the black connector (S-VIDEO) for a better picture. Please note you can only connect one type of video connector at a time. Please do not connect both S-VIDEO and AV at the same time. This connection uses RCA audio cable for sound, composite cable for video or s-video cable for video.

### 14. **TV Tuner**

This connection port is used for connecting antenna, satellite box or cable service via TV source. If you are using a satellite box select cable as your cable/air setting. If you are connecting for cable service or antenna please don't forget to switch for the correct setting under TV setup and scan for the channels. This connection uses coaxial cable.

### 15. **AC Power**

This connection is for providing power to the media box. This connection uses a standard computer power cord.

### 16. **Power Switch**

This switch is the hardware switch for cutting power on / off for the media box and the display panel. Normally it should be left on. With the power switch at the on position, the TV still needs to be turned on via either the Power button on the remote or the Power button on the side of the TV. If you have cut the power off please let the TV rest for 10-20 minutes before cutting the power back on.

## **Picture Quality of All Connections from Ok to Best**

### 1. **TV Tuner (OK)**

Analog video - 480i.



2. **AV1 & AV2 (Basic)**

Analog Video - 480i. The yellow connector provides all the video information.

3. **S-VIDEO (Fair)**

Analog Video - 480i. The black connector separates between black and white information and color information therefore displaying sharper text and video.

4. **Component (Good)**

Analog HD Capable Video - 480i, 480p, 720p, 1080i. The video signal is separated into three different cables each carrying different video data thus providing a superior picture over S-Video.

5. **ATSC Tuner (Good)**

Digital HD Capable Video - 480i, 480p, 720p, 1080i. The video signal is received via over the air wave digital antenna into a HDTV decoder board, purely digital color information is precise and picture quality is life like.

6. **VGA (Better)**

Analog HD Capable Video - 480i, 480p, 720p, 1080i, 1080p. When doubled as a component port with VGA to Component cables the video quality is similar to Component, but this is a PC connector by default. When used on a PC, 1080p resolution is made available via PC's video card.

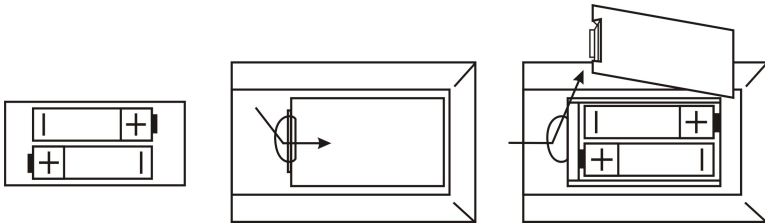
7. **HDMI (Best)**

Digital HD Capable Video - 480i, 480p, 720p, 1080i, 1080p. This connection is pure digital audio/video, full uncompressed bandwidth capable of supplying the highest sharpest picture quality available in the market. When used as a DVI port with the HDMI to DVI conversion cable, 1080p resolution is available and graphics/text is clearer and crisper than VGA.

# Quick Installation

## ■ Installation batteries of remote control

- (1). Insert two AA (or R6) batteries into the remote control. Make sure + and – are facing the proper direction.
- (2). Replace the cover.

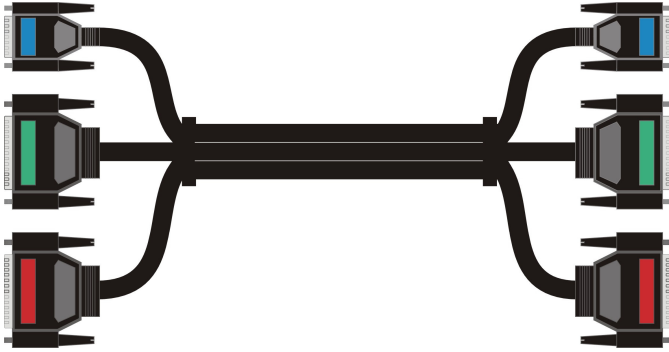


If the remote control is not to be used for a long time, remove the batteries. Keep the remote control away from moisture, sunlight, and high temperatures.

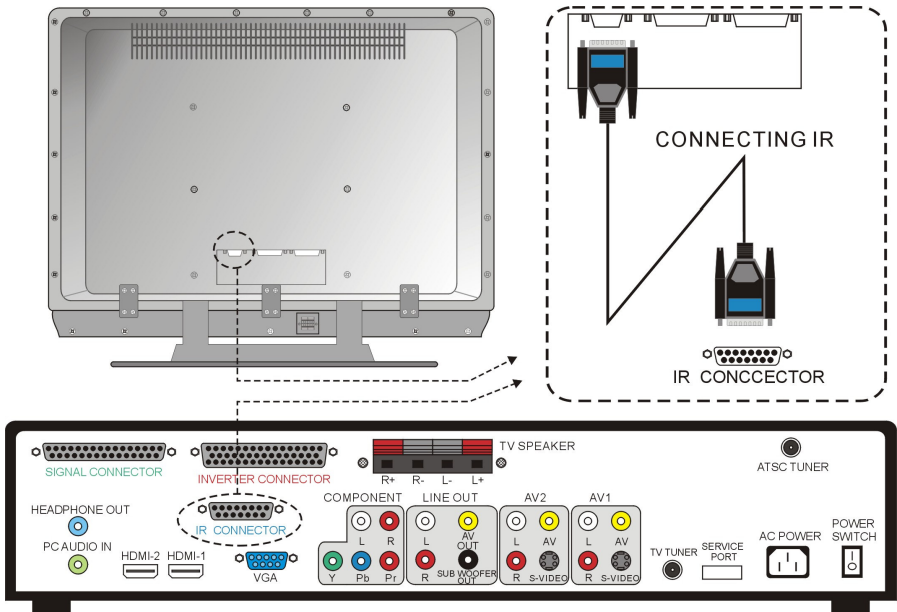
## ■Connecting the Display with Media Box

### Connect Cable

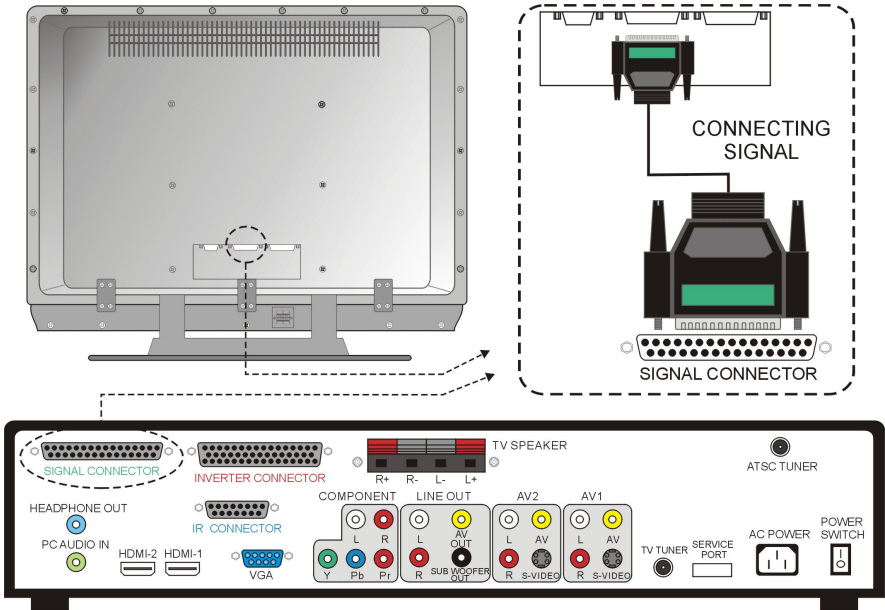
Please note: The cables are color coded, when connecting them, please color match the connectors. **The color side always faces up or outward.**



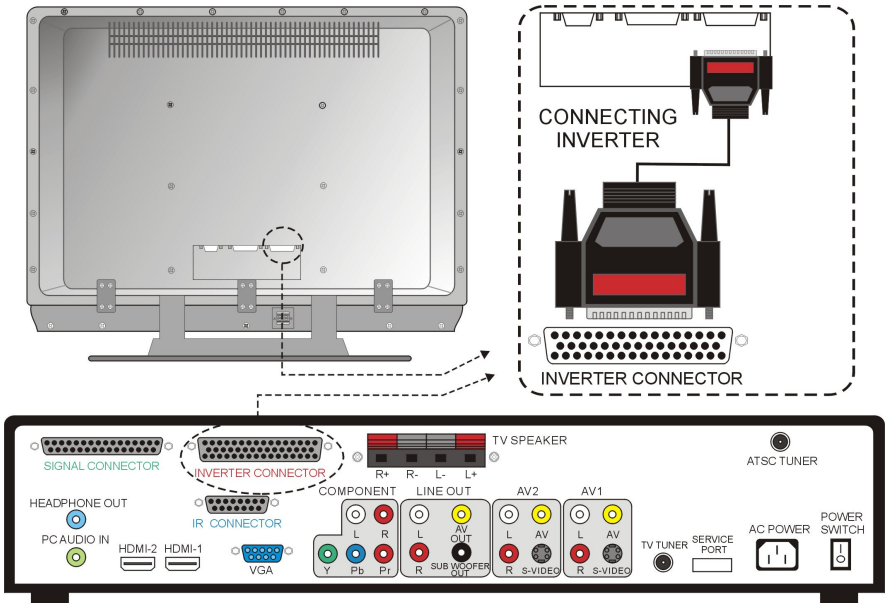
### Connecting IR



## Connecting Signal

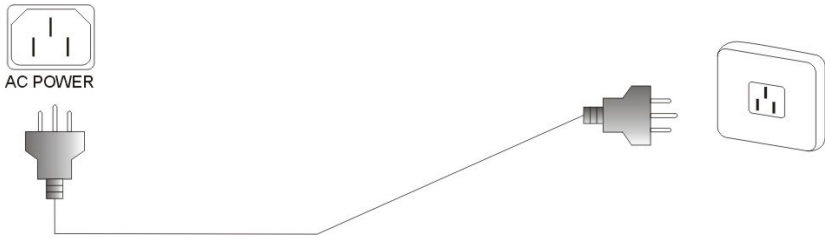


## Connecting Inverter & AC Power



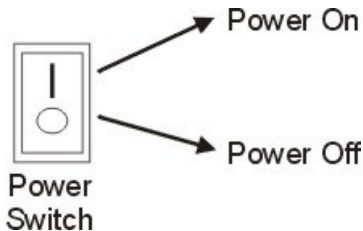
## ■Connecting the AC Power Cord

Connect AC power from the rear of media box to the power source.



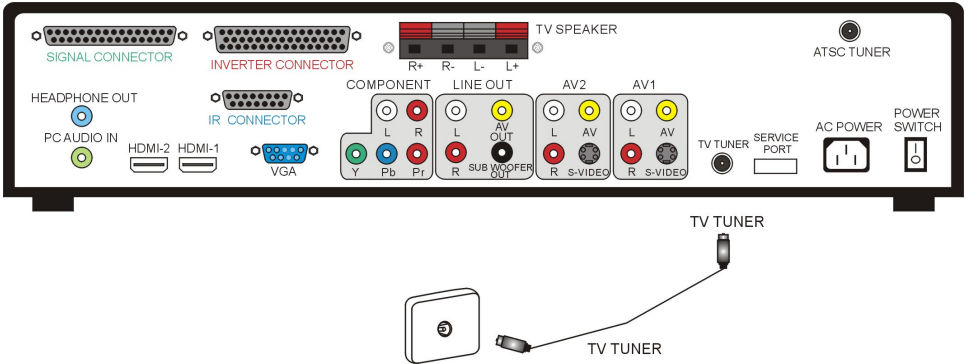
## ■Power Switch

After you have connected AC power, turn the power switch to Power On position on the media box. Make sure light of power indicator is blue. Please note, this power switch is an active power switch which physically cuts power off the TV set. If you have cut the power off please let the TV rest for 10~20 minutes before cutting the power back on.



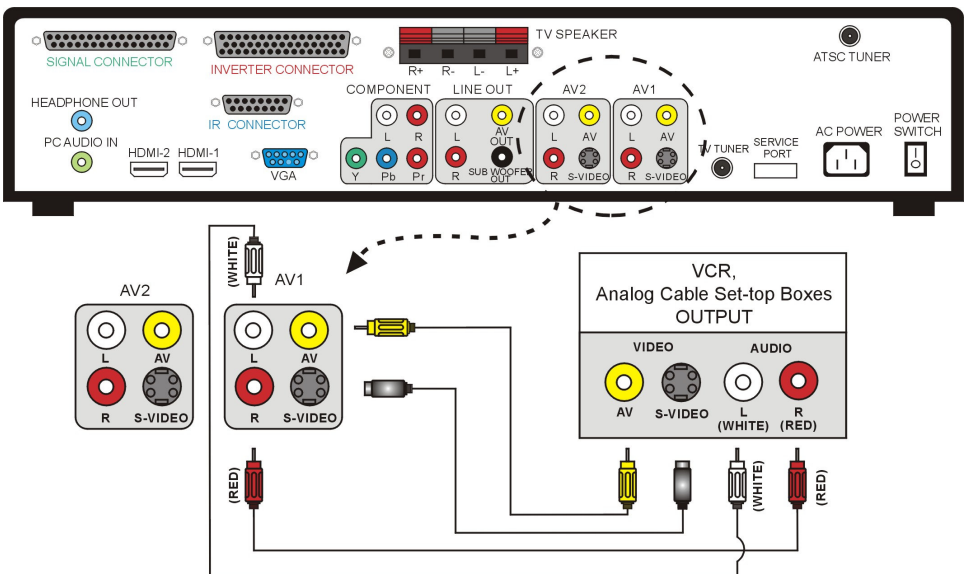
## ■Connecting TV Tuner

TV tuner is for over the airwave television via UHF and VHF. Analog cable is cable hooked directly into the TV to the TV tuner connectors.



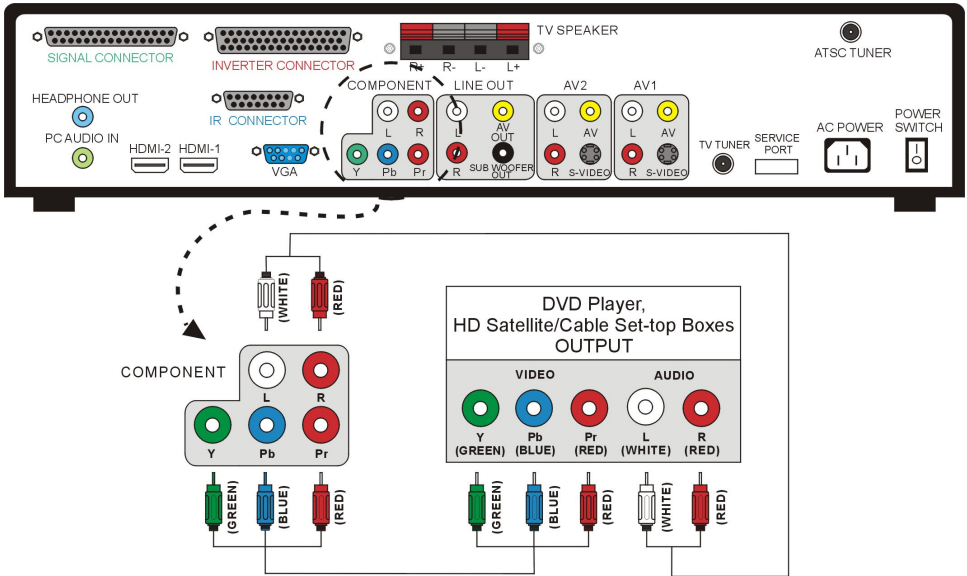
## ■Connecting AV1 / AV2 Port

AV1, and AV2 is for connecting VCR, Analog Cable Set-top Boxes or other device that uses composite or S-Video for video and RCA red/white wires for audio.



## ■ Connecting Component HD Port

Component is for connecting DVD Player, HD Satellite/Cable Set-top Boxes or other device that uses component wires (red, green, blue wires) for video and RCA red/white wires for audio.



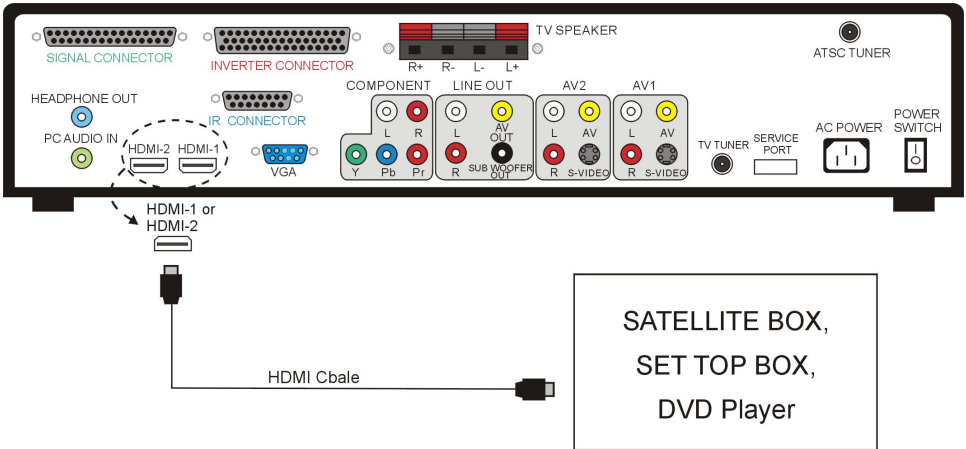
**Note:** Refer to your DVD player, HD Satellite/Cable Set-top Boxes or other device with component HD port user manual for more information about the video output requirements of the product.

**(HDTV: 720p / 1080i / 1080p)**

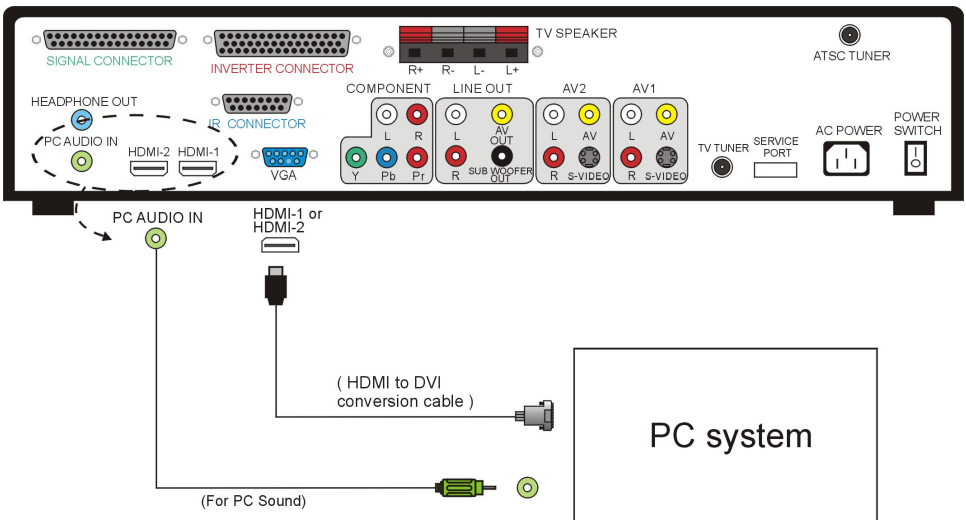
## Connecting HDMI-1, HDMI-2 Port

HDMI is for connecting HD Satellite, HD Digital Cable Set-top Boxes or other device with HDMI port. The HDMI port also doubles as HDCP/DVI port. If your HD set-top box does not have HDMI but DVI instead, please use the HDMI to DVI conversion cable that is included in the box. When using HDMI to DVI conversion cable please also plug audio wires into PC AUDIO IN port for sound. Note: PC Audio In is for sound on HDCP/DVI.

### A.HDMI

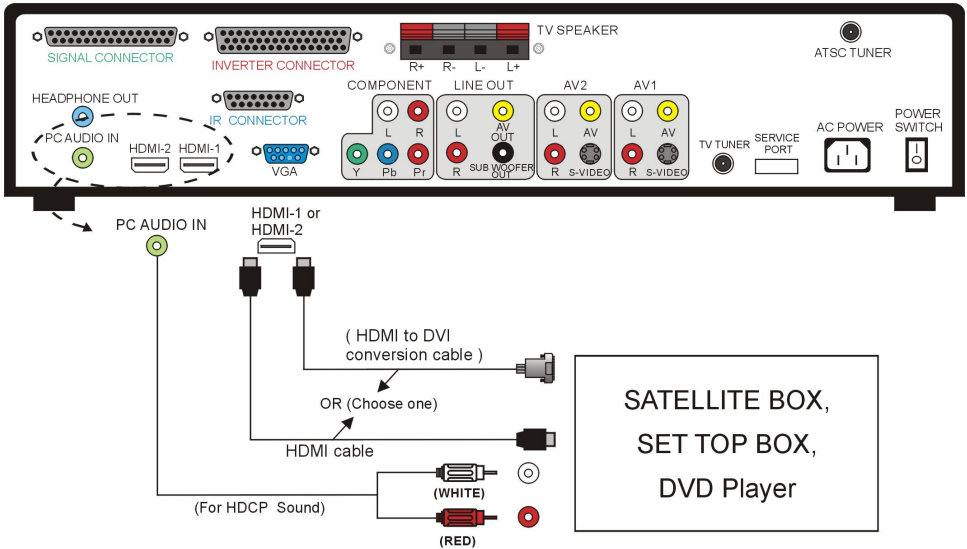


### B.DVI





## C.HDCP

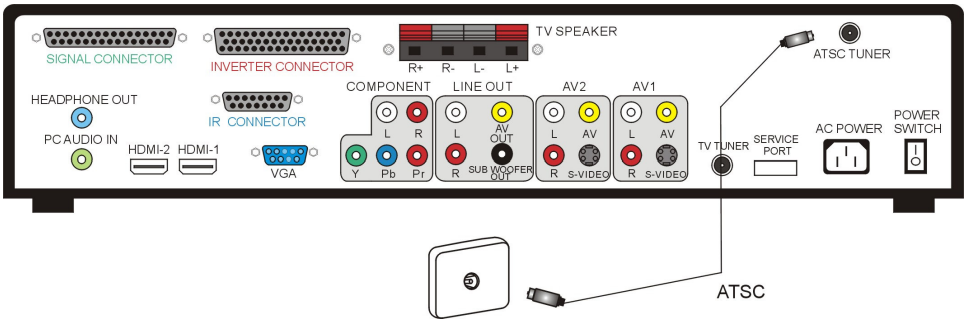


### NOTE:

1. The HDMI input on your LCD TV supports **High-bandwidth Digital Content Protection (HDCP)**. HDCP encrypts the transmission between the video source and the digital display for added security and protection.
2. Refer to your HDTV Set-top Box or other device with HDMI port user manual for more information about the video output requirements of the product or consult your satellite or cable operator.  
**(HDTV: 720p / 1080i / 1080p)**

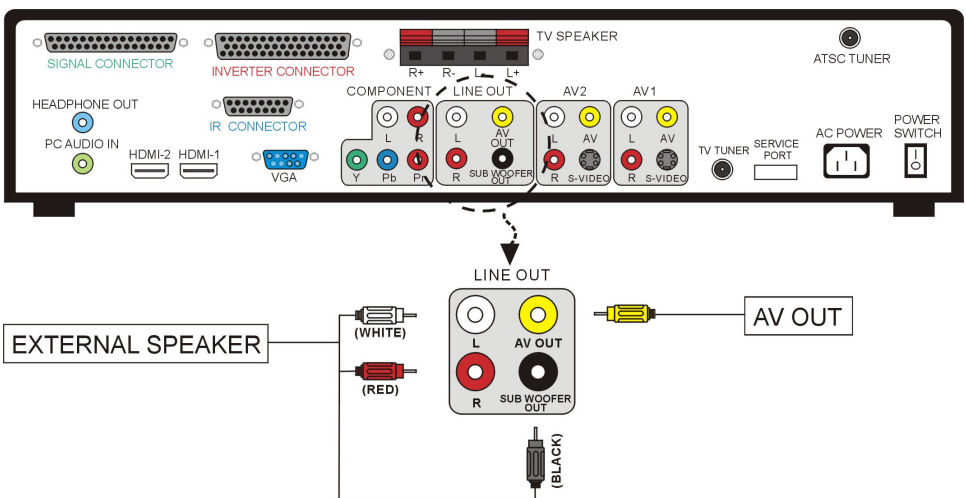
## ■ Connecting ATSC Tuner

The ATSC Tuner is for connecting digital cable or high definition antennas. The tuner will tune to unscrambled digital cable channels or over the air wave high definition local channels. This connection port uses coaxial cable.



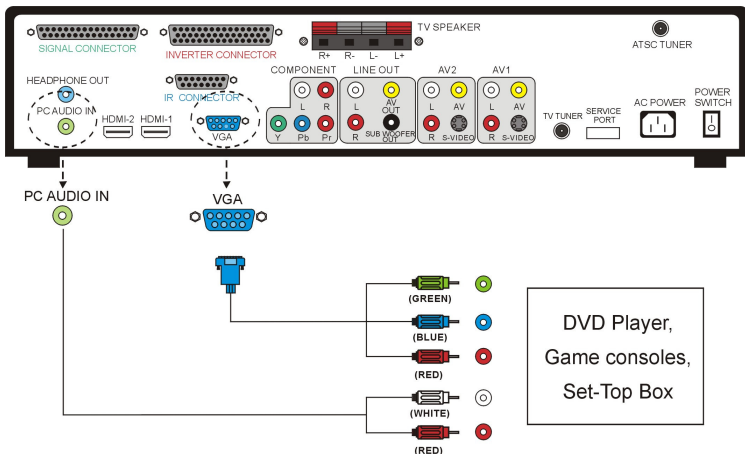
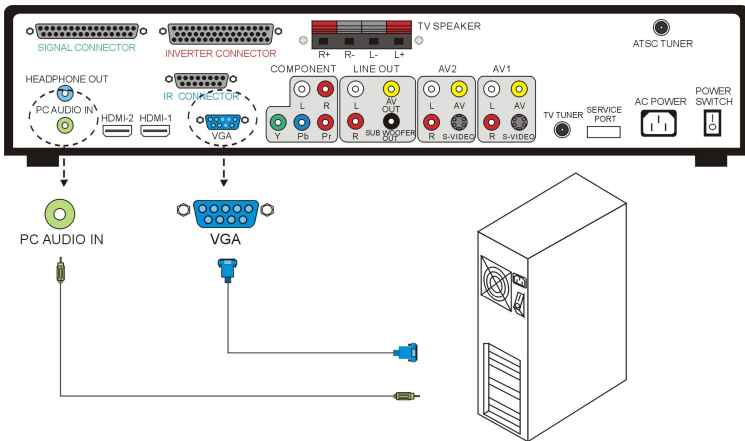
## ■ Connecting Line Out Port

If you have better speakers, which you would like to connect directly to the TV, you can do so via the Line Out port. You can also connect a subwoofer to the TV's direct Subwoofer Out port for better bass. If you have a receiver, it is recommended that your subwoofer and speakers be connected to the receiver instead. The AV out is designed to output video signal to another TV.



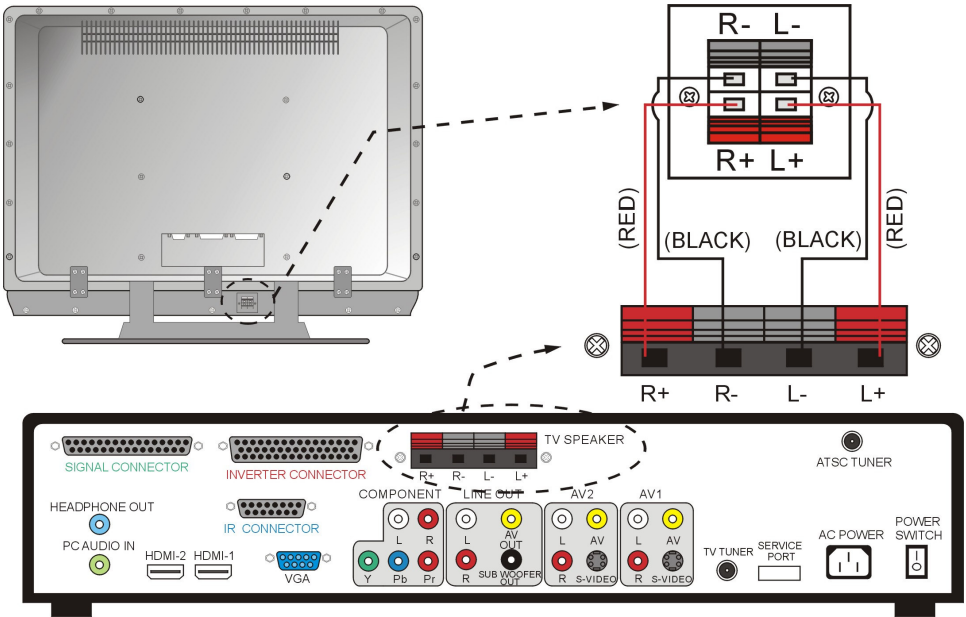
## ■Connecting VGA Port

VGA port is for connecting PC system. Please use a VGA cable to connect from the PC to the 42" LCD's VGA port. The other cable from PC Audio In to the PC is for audio. If you have separate PC speakers, please disregard the cable. It also doubles as an optional YPbPr (component) port via VGA-YPbPr2 source, if you have the optional VGA to component conversion cable. With the optional cable you can connect to DVD players, game consoles, or set-top boxes. If you are using this port as the secondary YPbPr (component) port, you will need to connect an audio connection to the PC Audio In connection port to provide audio.



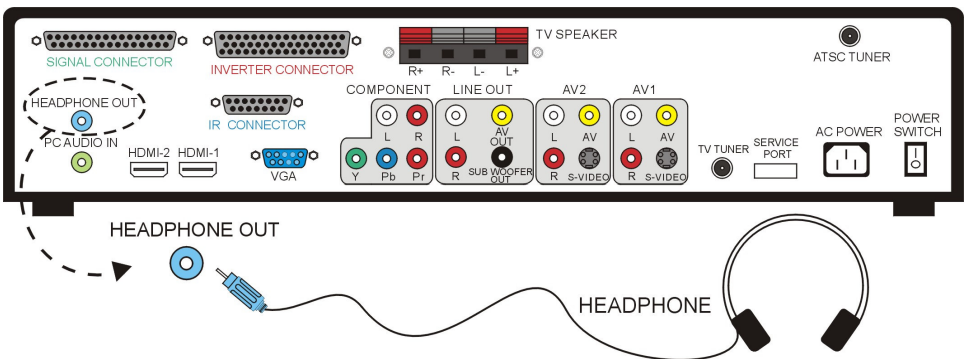
## ■Connecting to TV Speaker

Media box communicates with the TV display. The 4 wire connectors labeled TV SPEAKER is for connection to the TV's speaker.



## ■Connecting Headphone Out Port

The headphone out port is for connecting to a headphone.



## For Analog Cable and Antenna Users

**Note:** The following instruction set is for TV tuner antenna, analog cable users only.

When using the TV for the first time, you must perform the channel scan to get all correct channels by doing the following: Press the “SOURCE AV” button on the remote controller to select the TV input signal labeled either “Cable ###” or “Air ###”. # represents numbers.

1. Press MENU button to activate the On Screen Display (OSD) menu
2. Press “VOL +/-“ button to select the “TV SETUP” function group
3. Press “CH +/-“ button to select correct “Cable/Air” signal source
4. Press “CH +/-“ button to select “CH-SCAN” function and then press “←”(button in the center of VOL +/- & CH +/-) to perform channel scanning to obtain all available channels.

## For Set-top Box Users (including Digital Cable, Satellite, other video displaying devices)

**Note:** The following instruction set is for set-top box users (including digital cable, satellite box, and other video devices)

1. Make sure your video cables are connected correctly to the back of the television color matching all ports.
2. Press the “SOURCE AV” or “SOURCE PC” button on the remote controller to select the TV input signal which you’ve connected the set-top box to AV1, AV2, HDMI-1(HDMI, HDCP, DVI), HDMI-2(HDMI, HDCP, DVI), VGA-PC, VGA-YPbPr2, or YPbPr1(Component).
3. Please consult your set-top box’s manual with regards on how to turn on the device and browse channels.

## For HDTV Antenna ATSC Tuner Users

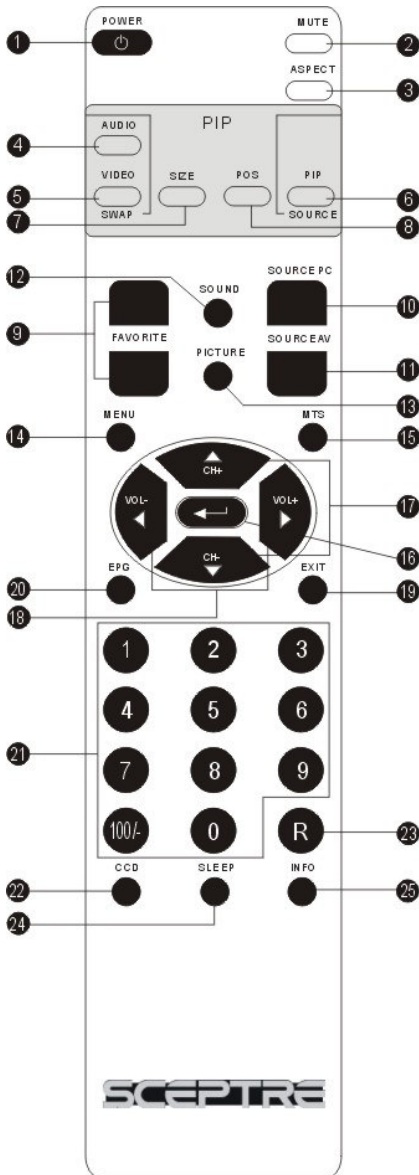
**Note:** The following instruction set is for ATSC Tuner HD antenna users only. Only perform the following instruction set when you have connected a HD antenna to the ATSC tuner. ATSC tuner does not guarantee HD picture quality. HD picture still depends on the method which your local channels broadcast their TV signal.

1. Make sure your HDTV antenna is connected to the ATSC Tuner port NOT the tuner labeled TV Tuner.
2. Press the “SOURCE PC” button on the remote controller to select the TV input signal labeled “DTV”
3. Press MENU button to activate the On Screen Display (OSD) menu
4. Press “VOL+/-“ button to select the “DTV” function group
5. Press “←”(button in the center of VOL +/- & CH +/-) to enter the DTV sub functions.
6. Enter “0000” for the password to enter “Channels” function
7. Press “CH +/-“ button to select “Channel Scan” function and then press“←”(button in the center of VOL +/- & CH +/-) to perform channel scanning to obtain all available channels.
8. To navigate in between channels you can only use the “CH +/-“ buttons or the “EPG” button.

Pressing the “EPG” button more than once will toggle in between regular channel program and sub channel program.

# Using the X42

## Remote Control



## Universal Remote Code and Support

Sceptre's X42 LCD supports **SONY's universal remote code**. Please look up **SONY's codes** in your handbook of remote codes to setup your universal remote. Please note :

Due to the variety of universal remotes manufactured, not all universal remotes will fully function with the code. If you have trouble getting channel or volume buttons to work, please try the directional buttons on your universal remote rather than your regularly used volume buttons.



### 1 POWER

Turns on or off the LCD Display unit.

Please note this is a passive power button and doesn't physically cut power off the TV but turn the TV into standby mode. When turning LCD on/off, wait 5-10 seconds before pressing the power button again.

### 2 MUTE

Press the button to turn off the audio volume. Press the button again or press volume - / +

(   ) or press sound (  ) or MTS (  ) to restore the previous volume level.

### 3 ASPECT

Press the button to select the available screen aspect ratio – Auto, 16:9 ,4: 3, Zoom Full, Zoom Subtitle.



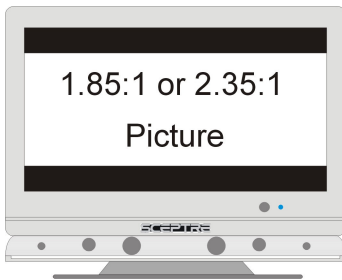
## Aspect Explained

### 1. **Auto**

This aspect ratio automatically adjust to the picture's original format. If 16:9 the full screen will be used. If 4:3, black bars will be added on the side.

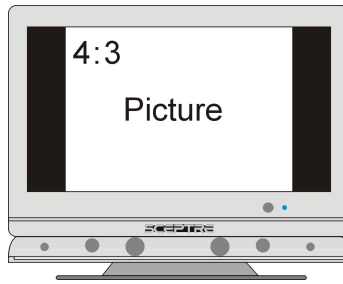
### 2. **16:9**

When watching a standard broadcast or full-frame movie in this mode, the display image is stretched horizontally to fill the TV screen. When watching a widescreen (1.76:1 source) program or movie, the display image fills the TV screen. If you are watching a widescreen (1.85:1 or 2.35:1 source) program or movie, there will still be black bars at the top and bottom. Note : When in HD mode or connected to a HD set-top box that controls the resolution you will not be able to choose your aspect ratio.



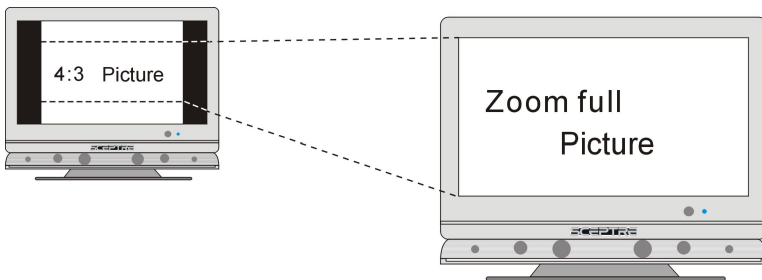
### 3. **4:3**

The original 4:3 aspect ratio (1.33:1 source) is preserved, so black bars are added to the left and right of the display image. Standard TV broadcasts are displayed with a 4:3 Aspect Ratio. Movies in 4:3 Aspect Ratio may be referred to as pan-and-scan or full frame. These movies were originally filmed in 16:9 (widescreen), and then modified to fit a traditional TV screen (4:3). Note : When in HD mode or connected to a HD set-top box that controls the resolution you will not be able to choose your aspect ratio.



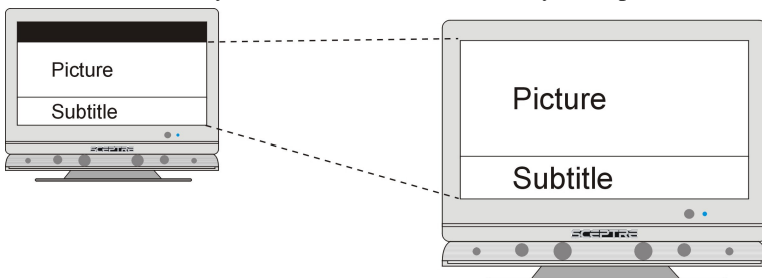
#### 4. **Zoom Full**

When watching a 4:3 aspect ratio TV or movie, this mode zooms in to cut off most of the black bars on the side while preserving the 16:9 ratio. Because of the zoom, the top and bottom are cut off as well. Note : When in HD mode or connected to a HD set-top box that controls the resolution you will not be able to choose your aspect ratio.

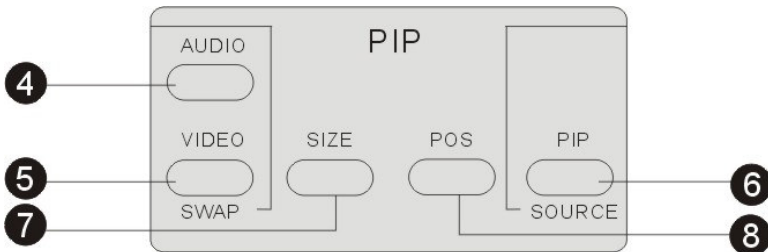


#### 5. **Zoom Subtitle**

This mode is primarily used when you're watching a movie where the widescreen aspect ratio is not 16:9 but rather 1.85:1 or 2.35:1. Since black bars at the top and bottom, this zoom mode cuts off the top black bar but preserves the bottom for subtitle purposes. Note : When in HD mode or connected to a HD set-top box that controls the resolution you will not be able to choose your aspect ratio.



# Picture In Picture



## 4 **AUDIO (PIP SWAP)**

Listen to the audio from the sub-picture.

## 5 **VIDEO (PIP SWAP)**

Swap between main picture and the sub-picture.

## 6 **SOURCE**

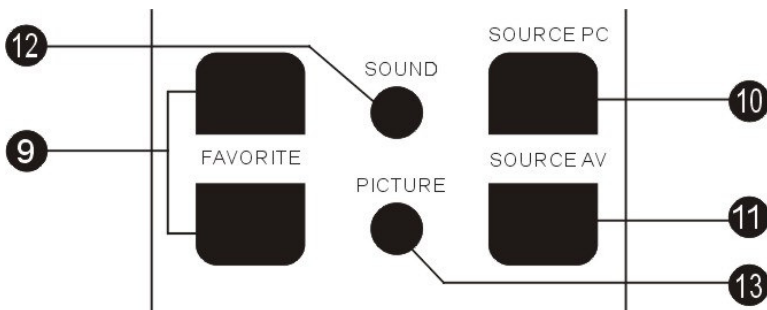
Select the input source for the sub-picture.

## 7 **SIZE**

Select the window size for the sub-picture (1/4, 1/9, or 1/16 of the entire screen size).

## 8 **POS**

Select the position for the sub-picture window (four corners of the screen).



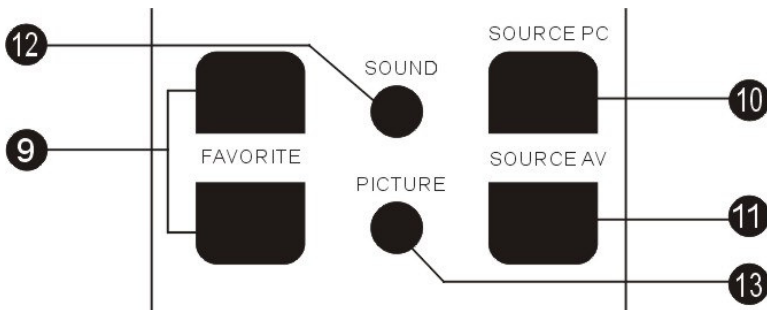
## 9 FAVORITE (Channels)

Chooses the pre-selected favorite channels. Total of nine channels can be stored as the Favorite channels list in TV source and an unlimited storage of channels in DTV source. Note: Before the Favorite (channels) can be used, one must pre-select the channels and store into the Favorite channel list.



**For TV** go to the channel you preferred to watch, press MENU button to enter the OSD (On Screen Display), navigate to TV Setup and select Favorite CH, enter 1 ~ 9 to store the channel at the desired position of the list. Enter 1 ~ 9 again to erase the channel from the favorite channel list. When you are done, press the MENU button to save and exit.

**For DTV**, make sure you have your channels scanned in and use the EDIT option in the DTV ATSC OSD menu to edit the channels. When finished, press the EXIT button to exit and save.



SOURCE PC  
**10**  **SOURCE PC**

Selects different PC/DTV input sources – DTV, HDMI-1 (HDMI, HDCP, DVI), HDMI-2(HDMI, HDCP, DVI), VGA-PC, and VGA-YPbPr2.



SOURCE AV  
**11**  **SOURCE AV**

Selects different video input signal sources – TV Tuner, AV1, AV2, and YPbPr1 (Component).



SOUND  
**12**  **SOUND**

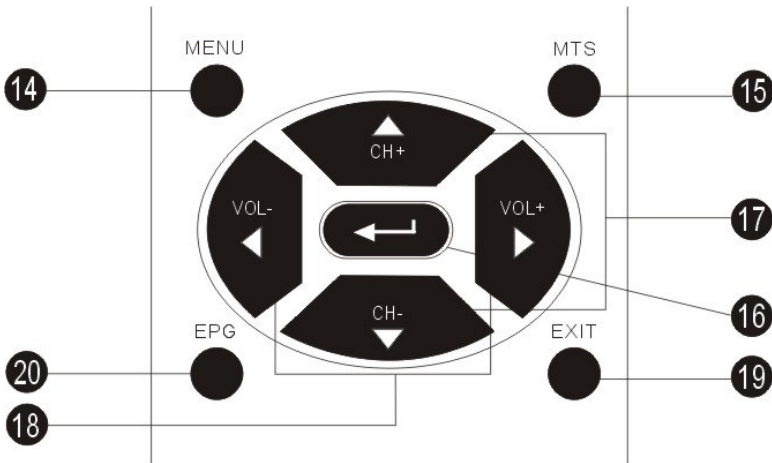
Select different Sound Effect modes – User mode, Pop, Soft, Dialogue, and Cinema.



PICTURE  
**13**  **PICTURE**

Select different preset picture modes – User mode, Standard, Nature, Game, and Cinema.





<sup>MENU</sup>  
**14** ● **MENU**

Press the MENU button to activate the OSD (On Screen Display) main menu. Press again to quit the main menu.

MENU



<sup>MTS</sup>  
**15** ● **MTS**

To select STEREO, MONO, or SAP.

MTS



**16** ◀

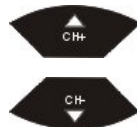
When OSD menu is shown, press this button to enter (confirm) the sub-menu.

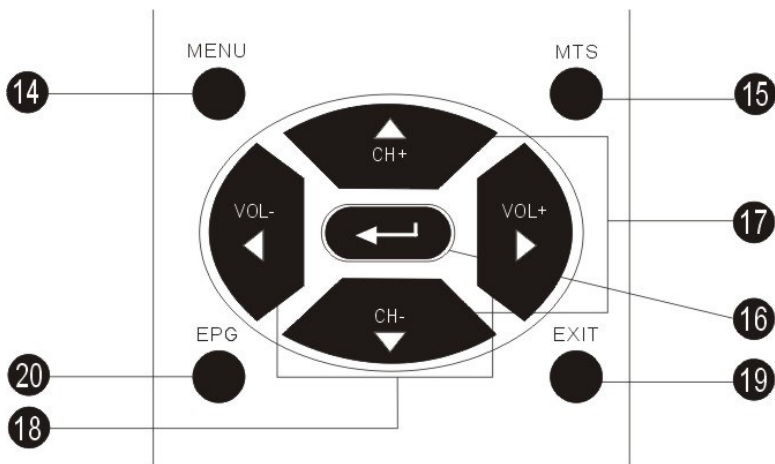


**17** ▲  
 CH+  
 ▼  
 CH-  
**CH +/-**

Press these two buttons to scroll through the channels.

If the OSD Menu is shown on the screen, press these buttons to scroll through the menu items vertically.





**VOL -/+**

Press these two buttons to adjust the speaker volume level.

If the OSD Menu is shown on the screen, press these buttons to scroll through the menu items horizontally.



**EXIT**

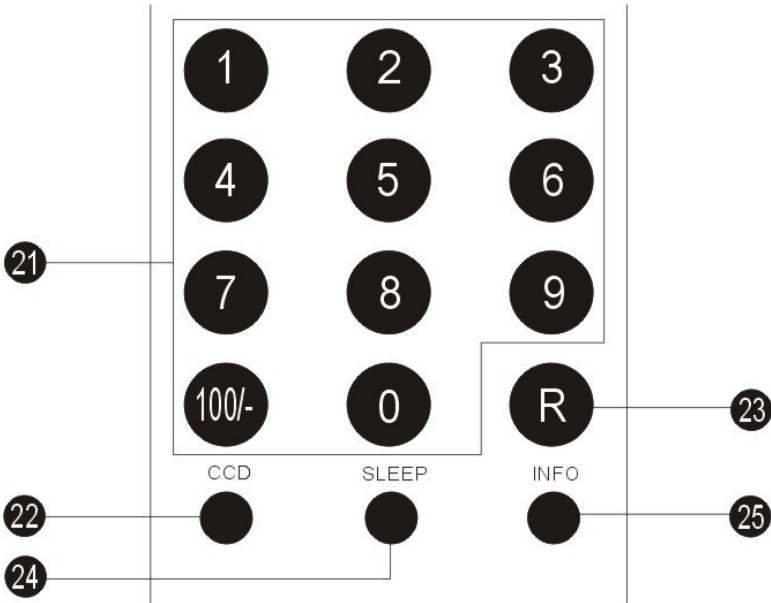
Press this button to exit from the sub-menu to the previous menu.



**EPG**

When DTV program (channel) is selected, press this button to display the Electronic Program Guide (EPG).





### 21 0 – 9, 100/- channel number

Select channels from 1 to 99, press the desired channel numbers.

If the channel number is 100 or greater, first press the button “100/-“

### 22 <sup>CCD</sup> ● CCD

Press CCD to display closed caption information.

Press repeatedly to scroll through OFF, CC1, CC2, CC3,

CC4, TT1, TT2, TT3, and TT4

CCD



### 23 ● R / Return

Press this button to return to previous channel.





**24** SLEEP ● **SLEEP**

Press repeatedly to cycle through the available sleep timer options – Off/30/60/90/120 minutes.



**25** INFO ● **INFO**

Display related information on current channels or PC modes.



## Picture In Picture Explained

Picture In Picture is a display mode where 1 TV can display 2 different types of video sources simultaneously. This is done with 1 small window at a corner of the TV displaying 1 video source while the other video source is displayed on the entire screen. The “Picture In Picture” function for this television is NOT designed for viewing 2 TV stations at the same time, but rather viewing analog and digital video sources at the same time. For example playing your DVD movie through component (YPbPr) port but also having the small window to display your TV tuner channels to keep up with news. The general rule of PIP is any Source PC sources can be used in PIP when you’re on any Source AV sources and vice versa. None of the Source PC sources can be used in PIP when you’re already in one of the Source PC sources.

## Port combination for PIP

Main Sub	TV (NTSC)	AV1	AV2	SV1 (S-video)	SV2 (S-video)	TV (ATSC)	YPbPr1	YPbPr2
TV (NTSC)	NA	NA	NA	NA	NA	√	√	√
AV1	NA	NA	NA	NA	NA	√	√	√
AV2	NA	NA	NA	NA	NA	√	√	√
SV1 (S-video)	NA	NA	NA	NA	NA	√	√	√
SV2 (S-video)	NA	NA	NA	NA	NA	√	√	√
TV (ATSC)	√	√	√	√	√	NA	NA	NA
YPbPr1	√	√	√	√	√	NA	NA	NA
YPbPr2	√	√	√	√	√	NA	NA	NA
VGA(PC)	√	√	√	√	√	NA	NA	NA
HDMI 1	√	√	√	√	√	NA	NA	NA
HDCP 1	√	√	√	√	√	NA	NA	NA
DVI 1(PC)	√	√	√	√	√	NA	NA	NA
HDMI 2	√	√	√	√	√	NA	NA	NA
HDCP 2	√	√	√	√	√	NA	NA	NA
DVI 2(PC)	√	√	√	√	√	NA	NA	NA


Main Sub	VGA (PC)	HDMI 1	HDCP 1	DVI 1 (PC)	HDMI 2	HDCP 2	DVI 2 (PC)
TV (NTSC)	√	√	√	√	√	√	√
AV1	√	√	√	√	√	√	√
AV2	√	√	√	√	√	√	√
SV1 (S-video)	√	√	√	√	√	√	√
SV2 (S-video)	√	√	√	√	√	√	√
TV (ATSC)	NA	NA	NA	NA	NA	NA	NA
YPbPr1	NA	NA	NA	NA	NA	NA	NA
YPbPr2	NA	NA	NA	NA	NA	NA	NA
VGA(PC)	NA	NA	NA	NA	NA	NA	NA
HDMI 1	NA	NA	NA	NA	NA	NA	NA
HDCP 1	NA	NA	NA	NA	NA	NA	NA
DVI 1(PC)	NA	NA	NA	NA	NA	NA	NA
HDMI 2	NA	NA	NA	NA	NA	NA	NA
HDCP 2	NA	NA	NA	NA	NA	NA	NA
DVI 2(PC)	NA	NA	NA	NA	NA	NA	NA


# OSD (On Screen Display Menu)

The OSD Menu varies based on different input signal sources. The OSD menus provide different control functions, which allow users to optimize the picture/audio performances for each of the input signal sources.


## How to operate the OSD Menu:

1. Press the MENU button on the remote controller to pop up the OSD menu. Press the MENU button again to quit the OSD menu.

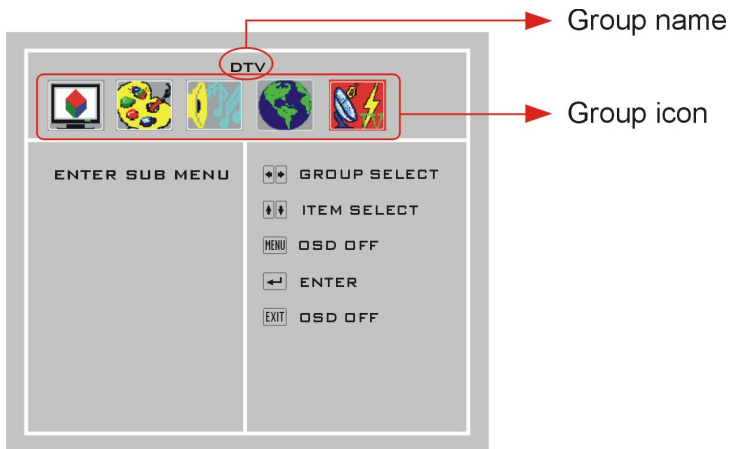
2. Press  to select the GROUP items which listed horizontally on the OSD menu.

3. Press  to scroll through the function items vertically.






4. Press  to enter the sub-menu. Press VOL +/- to adjust the setting.

5. Press  to go back to the previous menu.

## OSD screen instruction:



Group icon descriptions:

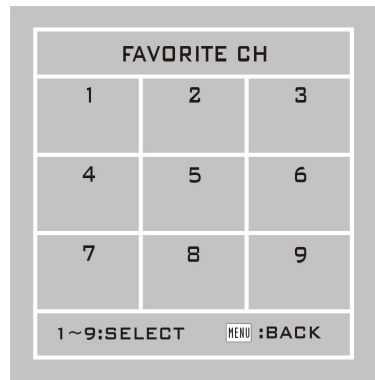
1.  GEOMETRY / VIDEO (user mode only)
2.  PICTURE / ADVANCED (user mode only)
3.  AUDIO (user mode & none-user mode)
4.  SYSTEM (user mode & none-user mode)
5.  TV SETUP / DTV (user mode & none-user mode)

### Note:

- I. The follow chapter will introduce the operations for different input signal.  
(Press the button “Picture” on the remote controller to switch to “user” mode)
- II. None-user mode include Standard, Nature, Game and Cinema.

## TV input

When TV (NTSC) input is selected, the following OSD menu will be displayed when the MENU button is pressed.



### 1. VIDEO (User mode)

- ◆ CONTRAST  
Adjusts the contrast between bright / dark graphics and text.
- ◆ BRIGHTNESS  
Adjust brightness of the screen.
- ◆ SHARPNESS  
Make the picture sharper.
- ◆ COLOR  
Adjust Picture Chrominance Gain/Ratio.
- ◆ TINT  
Adjust Picture Chrominance angle(or skin color).
- ◆ RECALL  
Reset the parameters to original factory settings.

### 2. ADVANCED (User mode)

- ◆ VIVID COLOR  
Make color brighter without over-saturation.

- ◆ SKIN TONE  
Make the skin color brighter without affecting other colors.
- ◆ GREEN  
Strengthen Green (grass color) color without affecting other colors.
- ◆ BLUE  
Strengthen Blue (sky color) color without affecting other colors.
- ◆ NOISE  
Adjust abatement of signal noise.  
Select different option – Off, -1, -2, -3, -4.
- ◆ GAMMA  
Adjust screen visual transformation.
- ◆ RECALL  
Reset the parameters to original factory settings.

### 3. AUDIO

- ◆ BASS  
Adjusts the bass level of your TV speakers.
- ◆ TREBLE  
Adjusts the treble level of your TV speakers.
- ◆ BALANCE  
Adjusts the balance (left to right) of your TV speakers.
- ◆ LOUDNESS  
Enhanced Bass and Treble strength.

**Loudness Caution :** Because the loudness option enhances bass sound effects, the possibility of X42's speaker popping increases greatly because of different sound signals received. Our standard signal to the X42's speaker is 500mVrms but with different channels browsed or different sound cards, the output might send out 1Vrms, therefore increases the possibility of popping the X42's speaker. Please make

sure to adjust the volume to below 40 when the popping occurs.

◆ AVC

Suppress a pop sound resulted from changing TV program.

◆ SURROUND

Select sound field from Off, Narrow, or Wide.

◆ RECALL

Reset the parameters to original factory settings.

4.  SYSTEM

◆ LANGUAGE

Choose the language between English and French for the OSD menu.

◆ LAMP

Adjusts how bright you want the LCD to display it's images.

◆ DCI

The dynamic contrast improvement option is similar to AVC but deals with video. It changes the contrast automatically for the TV when a commercial or TV program is too bright or dark so that it will not strain you eyes.

◆ RATING

Program lock according to MPAA or TV Guide Line.

5.  TV SETUP

◆ CABLE/AIR

Select cable signal or terrestrial signal(via antenna).

◆ CH-SCAN

Scan all available channels to establish a channel list.

◆ CH-ADD

Add currently viewing channel to the channel list.


◆ CH-DEL

Delete currently viewing channel from the channel list.



## ◆ FAVORITE CH

Select channels and store into the favorite channel list.

Note: To block or unblock the TV program, enter the “Rating” sub-menu, and then press “0000” to access the menu. Press  (enter) to toggle between “B”(blocked, not allowed to watch this program) and “U”(unblocked, allowed to watch this program).

MPAA blocks filters movies, while USTV filters TV sitcoms, and TV series.

To use the “Favorite CH” function, turn to the desired channel first, and then enter the “Favorite CH” sub-menu. Enter 1 ~ 9 to store the channel at the desired position of the list. Enter 1 ~ 9 again to erase the channel from the favorite channel list. When you are done, press the MENU button to save and exit.

## AV1 & AV2 inputs

When AV1 or AV2 input is selected, the following OSD menu will be displayed when the MENU button is pressed.



### 1. VIDEO (User mode)

#### ◆ CONTRAST

Adjusts the contrast between bright / dark graphics and text.

#### ◆ BRIGHTNESS

Adjust brightness of the screen.

#### ◆ SHARPNESS

Make the picture sharper.

- ◆ COLOR  
Adjust Picture Chrominance Gain/Ratio.
- ◆ TINT  
Adjust Picture Chrominance angle(or skin color).
- ◆ RECALL  
Reset the parameters to original factory settings.

## 2. ADVANCED (User mode)

- ◆ VIVID COLOR  
Make color brighter without over-saturation.
- ◆ SKIN TONE  
Make the skin color brighter without affecting other colors.
- ◆ GREEN  
Strengthen Green (grass color) color without affecting other colors.
- ◆ BLUE  
Strengthen Blue (sky color) color without affecting other colors.
- ◆ NOISE  
Adjust abatement of signal noise.  
Select different option – Off, -1, -2, -3, -4.
- ◆ GAMMA  
Adjust screen visual transformation.
- ◆ RECALL  
Reset the parameters to original factory settings.

## 3. AUDIO

- ◆ BASS  
Adjusts the bass level of your TV speakers.
- ◆ TREBLE  
Adjusts the treble level of your TV speakers.

- ◆ **BALANCE**  
Adjusts the balance (left to right) of your TV speakers.
- ◆ **LOUDNESS**  
Enhanced Bass and Treble strength.  
**Loudness Caution :** Because the loudness option enhances bass sound effects, the possibility of X42's speaker popping increases greatly because of different sound signals received. Our standard signal to the X42's speaker is 500mVrms but with different channels browsed or different sound cards, the output might send out 1Vrms, therefore increases the possibility of popping the X42's speaker. Please make sure to adjust the volume to below 40 when the popping occurs.
- ◆ **AVC**  
Suppress a pop sound resulted from changing TV program.
- ◆ **SURROUND**  
Select sound field from Off, Narrow, or Wide.
- ◆ **RECALL**  
Reset the parameters to original factory settings.

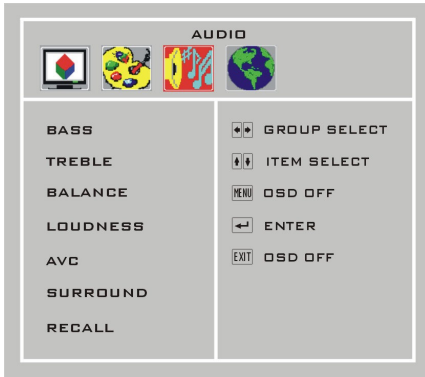
#### 4. SYSTEM

- ◆ **LANGUAGE**  
Choose the language between English and French for the OSD menu.
- ◆ **LAMP**  
Adjusts how bright you want the LCD to display it's images.
- ◆ **DCI**  
The dynamic contrast improvement option is similar to AVC but deals with video. It changes the contrast automatically for the TV when a commercial or TV program is too bright or dark so that it will not strain you eyes.

◆ RATING

Program lock according to MPAА or TV Guide Line.

## Y Pb Pr1 (Component), VGA-Y Pb Pr2, HDMI-1, HDMI-2, HDCP-1, HDCP-2 inputs



1.  VIDEO (User mode)

◆ CONTRAST

Adjusts the contrast between bright / dark graphics and text.

◆ BRIGHTNESS

Adjust brightness of the screen.

◆ SHARPNESS

Make the picture sharper.

◆ COLOR

Adjust Picture Chrominance Gain/Ratio.

◆ TINT

Adjust Picture Chrominance angle(or skin color).

◆ RECALL

Reset the parameters to original factory settings.

2.  ADVANCED (User mode)

- ◆ VIVID COLOR  
Make color brighter without over-saturation.
- ◆ SKIN TONE  
Make the skin color brighter without affecting other colors.
- ◆ GREEN  
Strengthen Green (grass color) color without affecting other colors.
- ◆ BLUE  
Strengthen Blue (sky color) color without affecting other colors.
- ◆ NOISE  
Not available under these inputs.
- ◆ GAMMA  
Adjust screen visual transformation.
- ◆ RECALL  
Reset the parameters to original factory settings.

### 3. AUDIO

- ◆ BASS  
Adjusts the bass level of your TV speakers.
- ◆ TREBLE  
Adjusts the treble level of your TV speakers.
- ◆ BALANCE  
Adjusts the balance (left to right) of your TV speakers.
- ◆ LOUDNESS  
Enhanced Bass and Treble strength.

**Loudness Caution :** Because the loudness option enhances bass sound effects, the possibility of X42's speaker popping increases greatly because of different sound signals received. Our standard signal to the X42's speaker is 500mVrms but with different channels browsed or different sound cards, the output might send out 1Vrms, therefore

increases the possibility of popping the X42's speaker. Please make sure to adjust the volume to below 40 when the popping occurs.

- ◆ AVC  
Suppress a pop sound resulted from changing TV program.
- ◆ SURROUND  
Select sound field from Off, Narrow, or Wide.
- ◆ RECALL  
Reset the parameters to original factory settings.

#### 4. SYSTEM

- ◆ LANGUAGE  
Choose the language between English and French for the OSD menu.
- ◆ LAMP  
Adjusts how bright you want the LCD to display it's images.

### VGA-PC input

When VGA-PC is selected, the following OSD menu will be displayed when the MENU button is pressed.



## 1. GEOMETRY

- ◆ **AUTO**  
Auto fine tuning picture clock and position.
- ◆ **H-POSITION**  
Adjusts the display position left or right.  
Normally use Auto Adjust.
- ◆ **V-POSITION**  
Adjusts the display position up or down. Normally use Auto Adjust.
- ◆ **CLOCK**  
Adjusts the clock frequency to match video card / Normally use Auto Adjust.
- ◆ **PHASE**  
Adjusts the phase frequency to match video card.  
Normally use Auto Adjust.
- ◆ **AUTO COLOR**  
Auto adjusting for white balance of display  
Please choose a white background before activating the function.
- ◆ **RECALL**  
Reset the parameters to original factory settings.

## 2. PICTURE

- ◆ **CONTRAST**  
Adjusts the contrast between bright / dark graphics and text.
- ◆ **BRIGHTNESS**  
Adjust brightness of the screen.
- ◆ **COLOR TEMP.**  
Select color temperature among High, Middle, Low, or User modes.
- ◆ **R GAIN**  
Adjusts how much red color is in the display.

- ◆ G GAIN  
Adjusts how much green color is in the display.
- ◆ B GAIN  
Adjusts how much blue color is in the display.
- ◆ RECALL  
Reset the parameters to original factory settings.

### 3. AUDIO

- ◆ BASS  
Adjusts the bass level of your TV speakers.
- ◆ TREBLE  
Adjusts the treble level of your TV speakers.
- ◆ BALANCE  
Adjusts the balance (left to right) of your TV speakers.
- ◆ LOUDNESS  
Enhanced Bass and Treble strength.  
**Loudness Caution :** Because the loudness option enhances bass sound effects, the possibility of X42's speaker popping increases greatly because of different sound signals received. Our standard signal to the X42's speaker is 500mVrms but with different channels browsed or different sound cards, the output might send out 1Vrms, therefore increases the possibility of popping the X42's speaker. Please make sure to adjust the volume to below 40 when the popping occurs.
- ◆ AVC  
Suppress a pop sound resulted from changing TV program.
- ◆ SURROUND  
Select sound field from Off, Narrow, or Wide.
- ◆ RECALL  
Reset the parameters to original factory settings.



#### 4. SYSTEM

- ◆ LANGUAGE

Choose the language between English and French for the OSD menu

- ◆ LAMP

Adjusts how bright you want the LCD to display it's images.

- ◆ FORMAT

Signal output conforms to window size of the display in particular resolution. Resolution – 1024x768, 1280x768, 1366x768, 1360x768

**How to setup:** 1.Select true resolution format. 2.Return Geometry item press “AUTO” once.

### DVI input

When DVI input is selected, the following OSD menu will be displayed when the MENU button is pressed.



1.  GEOMETRY

Not available under DVI input.

2.  PICTURE

- ◆ CONTRAST

Adjusts the contrast between bright / dark graphics and text.

- ◆ BRIGHTNESS  
Adjust brightness of the screen.
- ◆ COLOR TEMP.  
Select color temperature among High, Middle, Low, or User modes.
- ◆ R GAIN  
Adjusts how much red color is in the display.
- ◆ G GAIN  
Adjusts how much green color is in the display.
- ◆ B GAIN  
Adjusts how much blue color is in the display.
- ◆ RECALL  
Reset the parameters to original factory settings.

### 3. AUDIO

- ◆ BASS  
Adjusts the bass level of your TV speakers.
- ◆ TREBLE  
Adjusts the treble level of your TV speakers.
- ◆ BALANCE  
Adjusts the balance (left to right) of your TV speakers.
- ◆ LOUDNESS  
Enhanced Bass and Treble strength.  
**Loudness Caution :** Because the loudness option enhances bass sound effects, the possibility of X42's speaker popping increases greatly because of different sound signals received. Our standard signal to the X42's speaker is 500mVrms but with different channels browsed or different sound cards, the output might send out 1Vrms, therefore increases the possibility of popping the X42's speaker. Please make sure to adjust the volume to below 40 when the popping occurs.
- ◆ AVC  
Suppress a pop sound resulted from changing TV program.

◆ SURROUND

Select sound field from Off, Narrow, or Wide.

◆ RECALL

Reset the parameters to original factory settings.

4.  SYSTEM

◆ LANGUAGE

Choose the language between English and French for the OSD menu

◆ LAMP

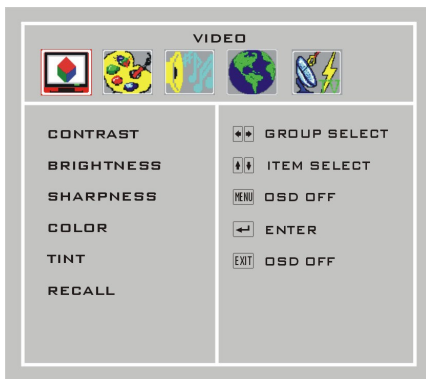
Adjusts how bright you want the LCD to display it's images

◆ FORMAT

Signal output conforms to window size of the display in particular resolution. Resolution – 1024x768, 1280x768, 1366x768, 1360x768

## DTV input mode

When DTV input is selected, the following OSD menu will be displayed when the MENU button is pressed.



1.  VIDEO (User mode)

◆ CONTRAST

Adjusts the contrast between bright / dark graphics and text.

- ◆ BRIGHTNESS  
Adjust brightness of the screen.
- ◆ SHARPNESS  
Make the picture sharper.
- ◆ COLOR  
Adjust Picture Chrominance Gain/Ratio.
- ◆ TINT  
Adjust Picture Chrominance angle(or skin color).
- ◆ RECALL  
Reset the parameters to original factory settings.

## 2. ADVANCED (User mode)

- ◆ VIVID COLOR  
Make color brighter without over-saturation.
- ◆ SKIN TONE  
Make the skin color brighter without affecting other colors.
- ◆ GREEN  
Strengthen Green (grass color) color without affecting other colors.
- ◆ BLUE  
Strengthen Blue (sky color) color without affecting other colors.
- ◆ NOISE  
Not available under DTV inputs.
- ◆ GAMMA  
Adjust screen visual transformation.
- ◆ RECALL  
Reset the parameters to original factory settings.

## 3. AUDIO

- ◆ BASS  
Adjusts the bass level of your TV speakers.

- ◆ TREBLE  
Adjusts the treble level of your TV speakers.
- ◆ BALANCE  
Adjusts the balance (left to right) of your TV speakers.
- ◆ LOUDNESS  
Enhanced Bass and Treble strength.  
**Loudness Caution :** Because the loudness option enhances bass sound effects, the possibility of X42's speaker popping increases greatly because of different sound signals received. Our standard signal to the X42's speaker is 500mVrms but with different channels browsed or different sound cards, the output might send out 1Vrms, therefore increases the possibility of popping the X42's speaker. Please make sure to adjust the volume to below 40 when the popping occurs.
- ◆ AVC  
Suppress a pop sound resulted from changing TV program.
- ◆ SURROUND  
Select sound field from Off, Narrow, or Wide.
- ◆ RECALL  
Reset the parameters to original factory settings.

#### 4. SYSTEM


- ◆ LANGUAGE  
Choose the language between English and French for the OSD menu.
- ◆ LAMP  
Adjusts how bright you want the LCD to display it's images.

5.  DTV

Enter DTV (ATSC) OSD menu.



**Note:**

 Password

When first enter the DTV OSD menu, press “0000” as the password.

●  CHANNEL

◆ EDIT

Displays a list of channels you can toggle between favorites and blocking. When finished editing press EXIT to save and exit.

◆ AUTO SCAN

Automatically scans for all channels via HDTV antenna.

◆ MANUAL SCAN

Manually input a channel number for scanning.  
(NOT RECOMMENDED)

●  CAPTION

◆ FONT SIZE

Adjusts the size of fonts for closed captions.

◆ FONT STYLE

Adjusts the style of fonts for closed captions.

◆ FONT COLOR

Adjusts the color of fonts for closed captions.

◆ FONT OPACITY

Adjusts the transparent effect for the closed captions.

- ◆ EDGE STYLE  
Adjusts the border style.
- ◆ EDGE COLOR  
Adjusts the border color.

-  **SETUP**

- ◆ OPACITY  
Adjusts how transparent the info bar is.
- ◆ I-PLATE  
Adjusts the display time for the info bar.
- ◆ TIME ZONE  
Toggles between daylight savings time and regular time.  
Time is received thru antenna.
- ◆ ABOUT  
Information regarding the ATSC tuner hardware.

-  **LOCK**

- ◆ RATING  
Toggles the rating chart to block children from viewing violent TV.  
The rating system for the X42 functions as a content filter for the TV.  
The rating system provides two styles of filtering, MPAA and USTV.  
MPAA follows the motion picture association of America rating system commonly seen in movie theaters. This filtering method filters movies that your kids watch. The USTV rating system filters regular TV sitcoms and series, it filters an age limit on each TV program also filters specific contents such as violence, sexual situation, coarse language.

◆ PASSWORD

Changes the password.

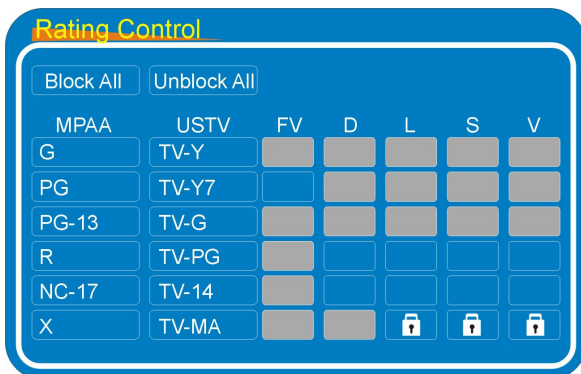
***WARNING THERE IS NO WAY TO RESET THIS  
FEATURE. PLEASE REMEMBER YOUR NEW  
PASSWORD OR DON'T CHANGE THE PASSWORD.***

◆ RESET DTV

Resets all options including scanned channels.



# Rating Explained



## General Operation

To block channels you don't want your kids to watch, you can filter them with the ratings function. MPAA lets you control ratings for movies you allow your kids to watch on the TV. For regular TV sitcoms or series you can use USTV settings. USTV settings lets you filter what content you want each age level, TV-Y, to TV-MA (refer to definitions below) to be able to watch. Look at the rolls you will see each age level. The columns consists of different content representations (refer to definitions below). Set the blocking on each age limit by high lighting the corresponding column and press ENTER. You can unblock by re-pressing the ENTER button at the same location. After you have finished setting ratings up, press MENU to exit.

### G (MPAA) / TV-Y (USTV) –For All Children

This program is designed to be appropriate for all children. Whether animated or live-action, the themes and elements in this program are specifically designed for a very young audience, including children from ages 2-6. This program is not expected to frighten younger children.

### PG (MPAA) / TV-Y7 (USTV)- Directed to Older Children

This program is designed for children age 7 and above. It may be more appropriate for children who have acquired the developmental skills needed to distinguish between

make-believe and reality. Themes and elements in this program may include mild fantasy violence or comedic violence, or may frighten children under the age of 7. Therefore, parents may want to consider the suitability of this program for their very young children. Note: For those programs where fantasy violence may be more intense or more combative than other programs in this category, such programs will be designated TV-Y7-FV.

**PG-13 (MPAA) / TV-G (USTV) - General Audience**

Most parents would find this program suitable for all ages. Although this rating does not signify a program designed specifically for children, most parents may let younger children watch this program unattended. It contains little or no violence, no strong language and little or no sexual dialogue or situations.

**R (MPAA) / TV-PG (USTV) - Parental Guidance Suggested**

This program contains material that parents may find unsuitable for younger children. Many parents may want to watch it with their younger children. The theme itself may call for parental guidance and/or the program contains one or more of the following: moderate violence (V), some sexual situations (S), infrequent coarse language (L), or some suggestive dialogue (D).

**NC-17 (MPAA) / TV-14 (USTV) - Parents Strongly Cautioned**

This program contains some material that many parents would find unsuitable for children under 14 years of age. Parents are strongly urged to exercise greater care in monitoring this program and are cautioned against letting children under the age of 14 watch unattended. This program contains one or more of the following: intense violence (V), intense sexual situations (S), strong coarse language (L), or intensely suggestive dialogue (D).

**X (MPAA) / TV-MA (USTV) - Mature Audience Only**

This program is specifically designed to be viewed by adults and therefore may be unsuitable for children under 17. This program contains one or more of the following: graphic violence (V), explicit sexual activity (S), or crude indecent language (L).

## TV program description

**FV** - Fantasy Violence

**V** - Violence




**S** - Sexual Situations

**L** - Adult Language

**D** - Sexually Suggestive Dialog

## DTV Favorite Channels Explained

The DTV favorite channels function is designed so the user can access a pre-edited list of channels to watch rather than scrolling through unwanted channels and wasting time.

To edit the DTV channel list make sure you have already scanned and obtained channels either through digital unscrambled cable or over the airwave HD antenna. When you have finished the scanning, select the EDIT option under the channels function then press the  (enter) button to enter the channel list for editing. You should see one column labeled FAV. Select the channels you want by highlighting the FAV. column and pressing  (enter). When finished editing the list, press EXIT button to exit. A window will prompt to ask if you want to save what you just edited. Highlight the Yes button and press  (enter). You should now be able to access your favorite channels but hitting the Favorite buttons on your remote control.

# Other Information

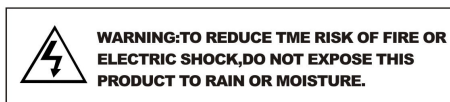
## Cleaning the LCD TV

- Wipe the LCD TV with soft or dry cloth.
- Do not use solvent or methylbenzene. Harsh chemicals may damage your LCD TV.
- Make sure the LCD TV is unplugged before you clean it.

## Warning

**BEFORE PLUGGING IN THE UNIT FOR THE FIRST TIME, READ THE FOLLOWING SECTION CAREFULLY.**

The voltage of the available power supply differs according to country or region. Be sure that the power supply voltage of the area where this unit will be used meets the required voltage (e.g., AC 230V, 50Hz, or AC 120V, 60Hz) written on the rear panel.



The lightning flash with arrow head symbol, within an equilateral triangle, is intended to alert the user to the presence of uninsulated "dangerous voltage" within the product's enclosure that may be of sufficient magnitude to constitute a risk of electric shock to persons.



The exclamation point within an equilateral triangle is intended to alert the user to the presence of important operating and maintenance (servicing) instructions in the literature accompanying the appliance.

# Troubleshooting

The following table contains the common problems and the solutions to these problems.

Please check this list before you contact technicians.

<b>Problems</b>	<b>Reasons</b>	<b>Solutions</b>
No picture	1. Did you connect the power cord?	1. Connect power cord correctly.
	2. Did you turn on the power?	2. Turn on power
	3. Is the signal cable connected correctly?	3. Connect signal cable correctly.
	4. Is the selected input signal source connected?	4. Select the input signal source with proper cable connection. If you have cable select cable inside TV OSD, or else select Air. If you have HD antenna, make sure it is connected to the ATSC tuner instead of the NTSC tuner
	5. Are you using the ATSC tuner ?	5. Adjust your HDTV antenna, sometimes if the HD signal is not complete thru the antenna, the image will not be displayed.
	6. Still no video ?	6. Check your source by pressing the source pc or source AV button and cycle thru all the input ports.
Abnormal colors	Is the signal cable connected correctly?	<ul style="list-style-type: none"> <li>▪ Properly connect the signal cable.</li> <li>▪ Color cables should match the colored port ie. red to red, green to green and blue to blue.</li> </ul>
Picture too dark	Are brightness and contrast set at the lowest level?	Adjust brightness and contrast.

<b>Problems</b>	<b>Reasons</b>	<b>Solutions</b>
Audio only, no picture	1. Is input signal cable connected correctly?	1. Check the signal cable connection. Make sure your video cable is in the right group as the audio cable.
	2. Is the TV signal too weak?	2. TV-RF signal must not be lower than 50 dB.
Picture only, no audio	1. Is signal cable connected correctly?	1. Connect signal cable correctly.
	2. Is the audio volume set at the lowest level?	2. Adjust volume to proper level.
	3. Is audio signal cable not connected?	3. Connect audio cable correctly.
	4. Is the TV signal cable too weak?	4. TV-RF signal must not be lower than 50 dB.
Remote controller does not work	1. Is the battery dead?	1. Change battery.
	2. Is there any interference from static or thunder?	2. Turn off power for 10 seconds, and then turn the power back on

<b>Problems</b>	<b>Possible solutions</b>
Can not receive UHF	Change the signal line to other input-end; make sure your antenna is capable of receiving UHF.
Can not receive sufficient channels through antenna	Please use the channel scanning function to increase the number of channels
No colors	Please adjust the color setup, and make sure your signal cable is tightly connected.

<b>Problems</b>	<b>Possible solutions</b>
Blinking picture accompanied by signal box image	Check the connection of antenna/signal cable
Broken lines or segments	Adjust antenna. Keep the TV away from noise sources such as neon lights, and hair dryer.
Certain TV channels are blocked	Please use the channel scanning function or v-chip function to unblock.
Can not access a picture or audio menu	<ul style="list-style-type: none"> <li>▪Make sure your Picture / Sound are both on “User Mode” by pressing the “Picture” button until the upper left hand corner says “User Mode”.</li> <li>▪Please do the same regarding “Sound” button</li> </ul>
Cannot view 2 channels at the same time with PIP	The PIP function is not designed to view 2 channels at the same time.
Universal Remote Code	This television is designed with SONY television universal remote codes.
TV has colors of lines across the screen	<ul style="list-style-type: none"> <li>▪This is a big LCD screen, it takes time for electricity to charge up to power the screen and takes time for the large screen to deplete all it’s residual electricity.</li> <li>▪Please do not turn the TV on and off really quickly.</li> <li>▪Between the time which you turn off the TV and the time which you turn it on, there should be at least 50 seconds to 70 seconds.</li> </ul>
TV is turned on, stand by light is green but no picture	<ul style="list-style-type: none"> <li>▪This is a big LCD screen, and needs time to warm up to show the picture.</li> <li>▪Please wait for 15-30 seconds for the picture to show up.</li> </ul>
No Picture on PC (DVI)	▪Is your video card’s DVI port turned off by default?

<b>Problems</b>	<b>Possible solutions</b>
port)	<ul style="list-style-type: none"> <li>▪Go into your video card's advance menu to make sure 2nd monitor / DVI port is turned on.</li> </ul>
No Sound on PC	<ul style="list-style-type: none"> <li>Make sure your green connector head audio cable is connected.</li> </ul>
Satellite / Digital Cable box says HDCP not compatible.	<ul style="list-style-type: none"> <li>▪Reboot your satellite / digital cable box by turning them off then unplugging the power cord.</li> <li>▪Wait for at least 1-3 minutes and plug them back into the wall and turn on the power.</li> </ul>
Satellite / Digital Cable box has no video on HDMI port.	<ul style="list-style-type: none"> <li>▪Make sure you're using the HDMI-&gt;HDMI cable.</li> <li>▪If you're using the cable we've included in the box, then you should set your source to HDCP or DVI.</li> </ul>



# Appendix

## FCC Compliance Statement

This device complies with Part 15 of the FCC Rules.

Operation is subject to the following conditions:

- (1) This device may not cause harmful interference
- (2) This device must accept any interference received, including interference that may cause undesired operation.

Note: This equipment has been tested and found to comply with the limits for a Class B digital device, pursuant to part 15 of the FCC Rules. These limits are designed to provide reasonable protection against harmful interference in a residential installation. This equipment generates uses and can radiate radio frequency energy and, if not installed and used in accordance with the instructions, may cause harmful interference to radio communications. However, there is no guarantee that interference will not occur in a particular installation. If this equipment does cause harmful interference to radio or television reception, which can be determined by turning the equipment off and on, the user is encouraged to try to correct the interference by one or more of the following measures:

- \*Reorient or relocate the receiving antenna.
- \*Increase the separation between the equipment and the receiver.
- \*Connect the equipment into an outlet on a circuit different from that to which the receiver is connected.

Caution: To comply with the limits for an FCC Class B computing device,  
always use the signal cord and power cord supplied with this unit.

The Federal communications Commission warns that changes or modifications to the unit not expressly approved by the party responsible for compliance could void the user's authority to operate the equipment.

## **European Notice**

Products with the CE marking comply with both the EMC Directive (89/336/EEC), (93/68/EEC) and the Low Voltage Directive (72/23/EEC) issued by the Commission of the European Community.

## Free Manuals Download Website

<http://myh66.com>

<http://usermanuals.us>

<http://www.somanuals.com>

<http://www.4manuals.cc>

<http://www.manual-lib.com>

<http://www.404manual.com>

<http://www.luxmanual.com>

<http://aubethermostatmanual.com>

Golf course search by state

<http://golfingnear.com>

Email search by domain

<http://emailbydomain.com>

Auto manuals search

<http://auto.somanuals.com>

TV manuals search

<http://tv.somanuals.com>