

# PRO-SERIES

## INSTRUCTION MANUAL

For  
Lead-Acid  
Batteries

MODEL #	AMPS	VOLTS	ENGINE START
PS-2352	2/35	12	200
PS-5250	10/50	6/12	125/250
PS-8050	30/60	6/12	200/300
PS-3000	30/44/60/80	6/12/18/24	180/200

## –Save– Important Safety Instructions

### Read instructions and rules for safe operation carefully.

Working in the vicinity of a lead-acid battery is dangerous. Batteries generate explosive gases during normal battery operation. For this reason, it is of utmost importance that each time before using your charger, you read this manual and follow the instructions exactly.

### A. GENERAL BATTERY SAFETY

1. Before you use your battery charger, be sure to read all instructions and cautions printed on:
  - Battery Charger
  - Battery
  - Vehicle or unit using battery
2. Use battery charger on LEAD ACID type rechargeable batteries only, such as used in autos, trucks, tractors, airplanes, vans, RV's, trolling motors, etc. Charger is not intended to supply power to low-voltage electrical system other than in an automotive application.
 

**WARNING:** Do not use battery charger for charging dry-cell batteries that are commonly used with home appliances. These batteries may burst and cause injury to persons and damage to property.
3. Use only attachments recommended or sold by manufacturer. Use of non-recommended attachments may result in fire, electric shock, or injury.
4. When disconnecting the battery charger, pull by the plug not by the cord. Pulling on the cord may cause damage to cord or plug.
5. Locate battery power cord so it cannot be stepped on, tripped over, or subjected to damage or stress.
6. Do not operate charger with damaged cord or plug. Have cord replaced immediately.
7. Do not operate charger if it has received a sharp blow, been dropped, or otherwise damaged in any way. Take it to a qualified professional for inspection and repair.
8. Do not disassemble charger. Take it to a qualified professional when service or repair is required. Incorrect reassembly may result in electric shock or fire.
9. To reduce risk of electric shock, unplug charger from outlet before attempting any maintenance or cleaning.
10. Do not use an extension cord unless absolutely necessary. Use of an improper extension cord could result in fire or electric shock. If an extension cord must be used, make sure that:
  - Pins on plug of extension cord are the same number, size, and shape as those of the plug on the charger.
  - Extension cord is properly wired and in good electrical condition.
  - Wire size is large enough for AC ampere rating of charger, as specified below:

Length of cord (feet):	25	50	100	150
AWG* size of cord:	16	14	10	8

\*AWG-American Wire Gauge
11. Always charge battery in a well ventilated area.
 

**NEVER** operate in a closed-in or restricted area without adequate ventilation because of risk of explosive gases.

**WARNING:** Risk of explosive gas.
12. Locate charger as far away from battery as DC charger cables permit.
13. Do not expose charger to rain or snow.
14. **NEVER** charge a frozen battery. If battery fluid (electrolyte) is frozen, bring into a warm area to thaw before charging.
15. **NEVER** allow battery acid to drip on charger when reading specific gravity or filling battery.
16. **NEVER** set a battery on top of charger.
17. **NEVER** place charger directly above battery being charged. Gases from battery will corrode and damage charger.
18. **NEVER** touch the battery clips together when the charger is energized.

## B. PERSONAL PRECAUTIONS AND SAFETY

1. **WARNING:** Wear complete eye protection and clothing protection, when working with lead-acid batteries.
2. Make sure someone is within range of your voice or close enough to come to your aid when you work with or near a lead-acid battery.
3. Have plenty of fresh water and soap nearby for use if battery acid contacts skin, clothing, or eyes. If battery acid contacts skin or clothing, wash immediately with soap and water.
4. Avoid touching your eyes while working with a battery. Acid particles (corrosion) may get into your eyes! If acid enters your eye, immediately flood eye with running cold water for at least 10 minutes. Get medical attention immediately.
5. Remove all personal metal items such as rings, bracelets, necklaces, and watches when working with a lead-acid battery. A lead-acid battery can produce a short-circuit current high enough to weld a ring (or the like) to metal, causing a severe burn.
6. Take care not to drop a metal tool or other metal onto the battery. Metal may cause sparking or short circuit the battery or another electrical device. Sparking may cause an explosion.
7. Always operate battery charger in an open well ventilated area.
8. **NEVER** smoke or allow a spark or flame in the vicinity of the battery or engine. Batteries generate explosive gases!

## C. GROUND AND AC POWER CORD CONNECTIONS

Charger should be grounded to reduce the risk of electric shock. Charger is equipped with an electric cord having an equipment grounding conductor and a grounding plug. The plug must be plugged into an outlet that is properly installed and grounded in accordance with all local codes and ordinances. This battery charger is designed for use on a nominal 120 volt circuit and has a grounded plug that looks like the plug illustrated in FIGURE 1 (A). This plug should be used in a grounded outlet. The plug pins must fit the receptacle (outlet).

**ADAPTER:** A temporary adapter, as shown in FIGURE 1 (B) and (C), may be used to connect the charger plug to a two pole receptacle (outlet), as shown in FIGURE 1 (B).

**NOTE:** The temporary adapter should be used only until a properly grounded outlet can be installed by a qualified electrician.

**DANGER:** Never alter the AC cord or plug provided. If it will not fit outlet, have a proper outlet installed by a qualified electrician. Improper connection can result in a risk of an electrical shock. **DANGER:** Before using an adapter, as illustrated, be certain that the center screw of the outlet plate is grounded. The green-colored rigid ear or lug extending from the adapter must be connected to a properly grounded outlet. Make certain it is grounded. If necessary, replace original outlet cover plate screw with a longer screw that will secure adapter ear or lug to outlet cover plate and make ground connection to grounded outlet.

**"Use of adapter plug not allowed in Canada"**

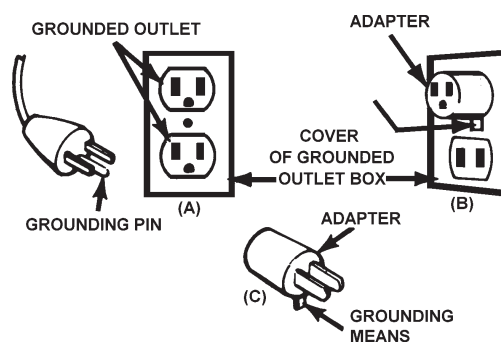


FIGURE 1: GROUNDING METHODS

## D. PREPARING TO CHARGE

1. Check your vehicle's battery voltage and select battery charger switch accordingly.
2. Clean battery terminals. Take care to keep corrosion from coming in contact with your eyes.
3. If required, add distilled water in each cell until battery acid reaches levels specified by battery manufacturer. This helps purge excessive gas from cells. Do not overfill. For a battery without cell caps, carefully follow manufacturer's recharging instructions.
4. Study all battery manufacturer's specific precautions, such as removing or not removing cell caps while charging, and recommended rates of charge.
5. Be sure area around battery is well ventilated while battery is being charged. Gas can be forcefully blown away by using a piece of cardboard or other non-metallic material as a fan.
6. If necessary to remove battery from vehicle to charge, always remove grounded terminal from battery first. Make sure all accessories in the vehicle are off, so as not to cause an arc.
7. A marine (boat) battery must be removed and charged on shore. To charge it on board requires equipment specially designed for marine use.

## E. CHARGE LOCATION PRECAUTIONS

**Never** place charger directly above the battery being charged; gases from battery could damage the charger.

**Never** allow battery acid to drip on the charger when reading specific gravity or filling battery.

**Never** operate charger in a closed in area, or restricted ventilation in any way.

Do not set battery on top of the charger.

## F. OPERATING INSTRUCTIONS: CHARGING BATTERY IN VEHICLE

When charging battery in the vehicle, take care to determine the battery type and which post is grounded. To reduce risk of a spark near battery, follow these steps when battery is installed in vehicle. **WARNING: A spark near battery may cause battery explosion.**

1. Position AC power cord and DC charging cords to reduce risk of damage by hood, door, or moving engine parts.
2. Stay clear of fan blades, belts, pulleys, and other parts that can cause injury.
3. Check polarity of battery posts. Battery case will be marked by each post: **POSITIVE (POS, P, +) and NEGATIVE (NEG, N, -)**. **NOTE:** The positive battery post usually has a larger diameter than the negative post.
4. Determine which post of battery is ground (connected) to chassis.

**NOTE:** The negative post is normally grounded.

### NEGATIVE GROUNDED POST

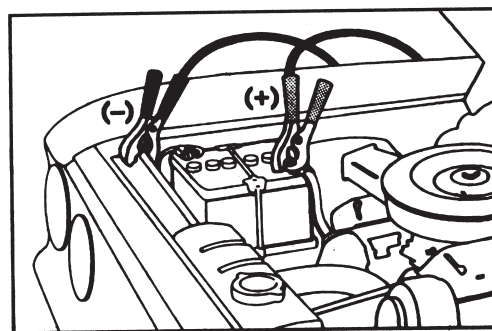
5A. For negative-grounded vehicle, connect POSITIVE (RED) clip from battery charger to POSITIVE (POS, P, +) ungrounded post of battery. Connect NEGATIVE (BLACK) clip to vehicle chassis or engine block away from battery. Connect to a heavy gauge metal part of the frame or engine block.

### POSITIVE GROUNDED POST

5B. For positive-grounded vehicle, connect NEGATIVE (BLACK) clip from battery charger to NEGATIVE (NEG, N, -) ungrounded post of battery. Connect POSITIVE (RED) clip to vehicle chassis or engine block away from battery. Connect to a heavy gauge unpainted metal part of the frame or engine block.

**WARNING:** Do not connect clip to carburetor, fuel lines, or sheet-metal body parts. **NOTE:** Attach clips to battery post and twist or rock back and forth several times to make a good connection. This tends to keep clips from slipping off terminals and helps to reduce risk of sparking.

6. Follow steps 1-4 in Battery Charger Section K.
7. Select amperage.
8. When the battery is fully charged, turn the switch to OFF, then unplug the charger from the AC power source.
9. Remove charger clips from (1) chassis and (2) battery post, in that order.
10. Clean and store battery charger.



## G. OPERATING INSTRUCTIONS: CHARGING BATTERY OUT OF VEHICLE

When charging battery out of vehicle, take care to determine the battery type. To reduce risk of a spark near battery, follow these steps when battery is outside vehicle. **WARNING:** A spark near the battery may cause battery explosion. **WARNING:** When removing battery from vehicle or boat, disconnect grounded pole first. When disconnecting, make sure all accessories are off, so as not to cause an arc. (**NOTE:** A marine (boat) battery must be removed and charged on shore. (To charge on board requires special equipment designed for marine use.)

1. Check polarity of battery posts. Battery case will be marked by each post: POSITIVE (POS, P, +) and NEGATIVE (NEG, N, -). **NOTE:** The positive battery post usually has a larger diameter than the negative post.

2. Attach a 24-inch long (or longer) 6-gauge (AWG) insulated battery cable to NEGATIVE (NEG, N, -) battery post.

(The 24" lead is not supplied. You may purchase at most automotive stores.)

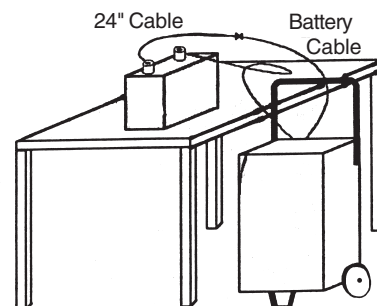
The 24" lead provides a safer connection condition. Sparking or arcing could occur when connecting the charger clip to the lead.

3. Connect POSITIVE (RED) charger clip to POSITIVE (POS, P, +) post of battery. Rock clip back and forth to make good connection.
4. Position yourself and free end of 24 inch cable as far away from battery as possible. Then connect NEGATIVE (BLACK) charger clip to free end of cable.

**WARNING:** Do not face battery when making final connection. Rock clip back and forth to make a good connection.

5. Follow steps 1-4 in Battery Charger Section.

6. Select amperage.

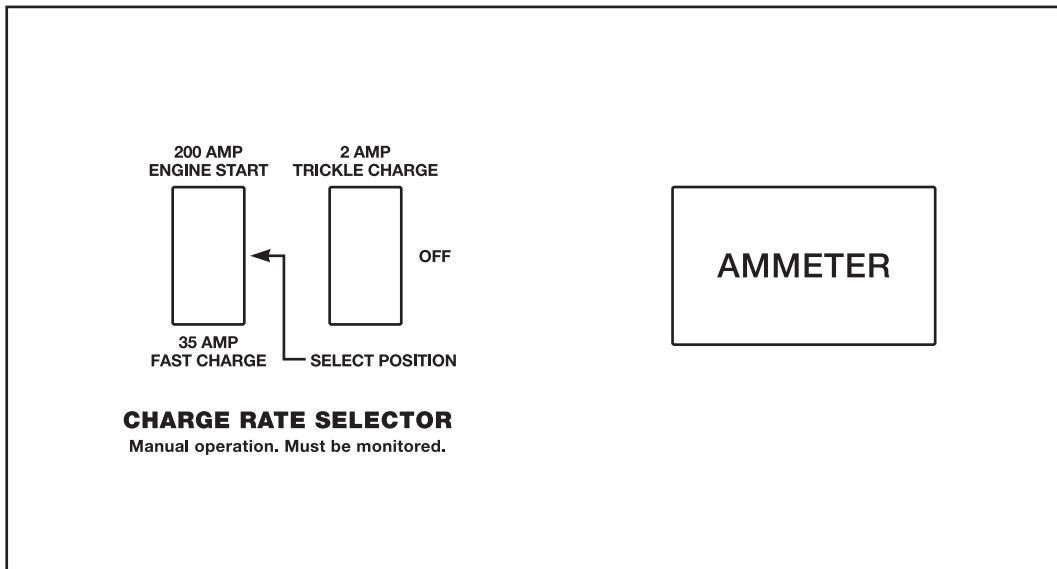


7. When battery is fully charged, turn switch to OFF, then unplug charger from AC outlet.
8. When battery is fully charged and the charger is unplugged:
  - (1) Remove clip from end of the Negative end of cable, then
  - (2) Remove clip from Positive battery post, in that order.
9. Clean and store battery charger.

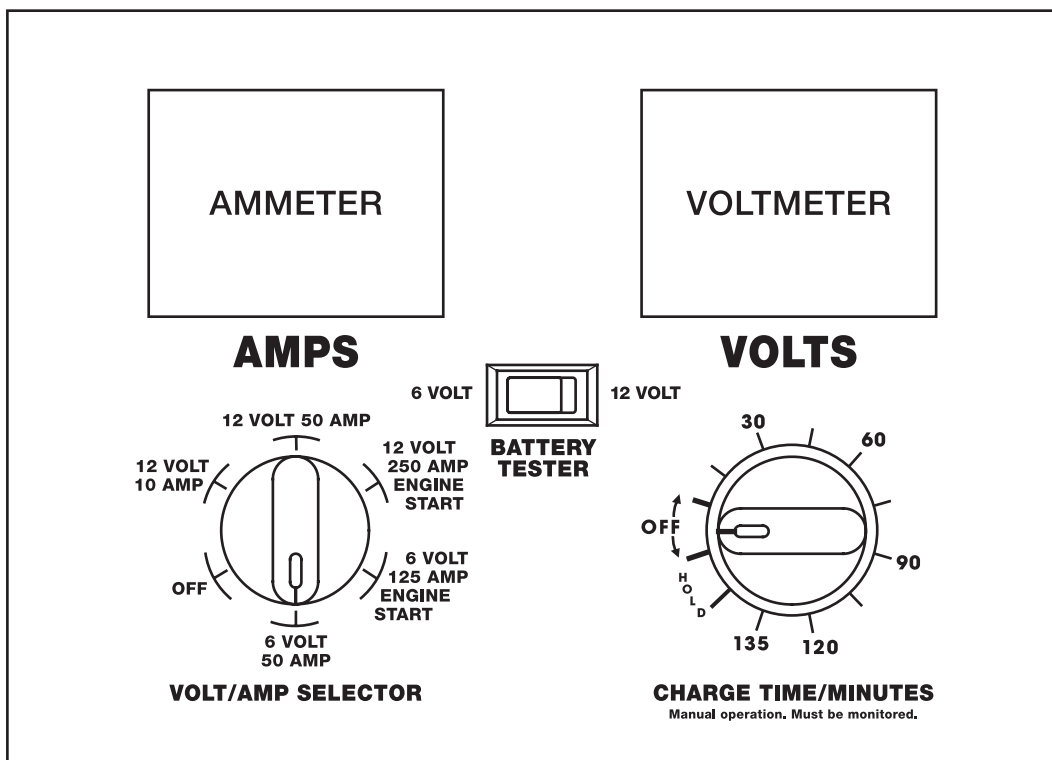
**WARNING:** Be sure area around the battery is well ventilated while battery is being charged. Gas can be forcefully blown away by using a piece of cardboard or other non-metallic material as a fan.

H.

OUTPUT SELECTOR CONTROLS



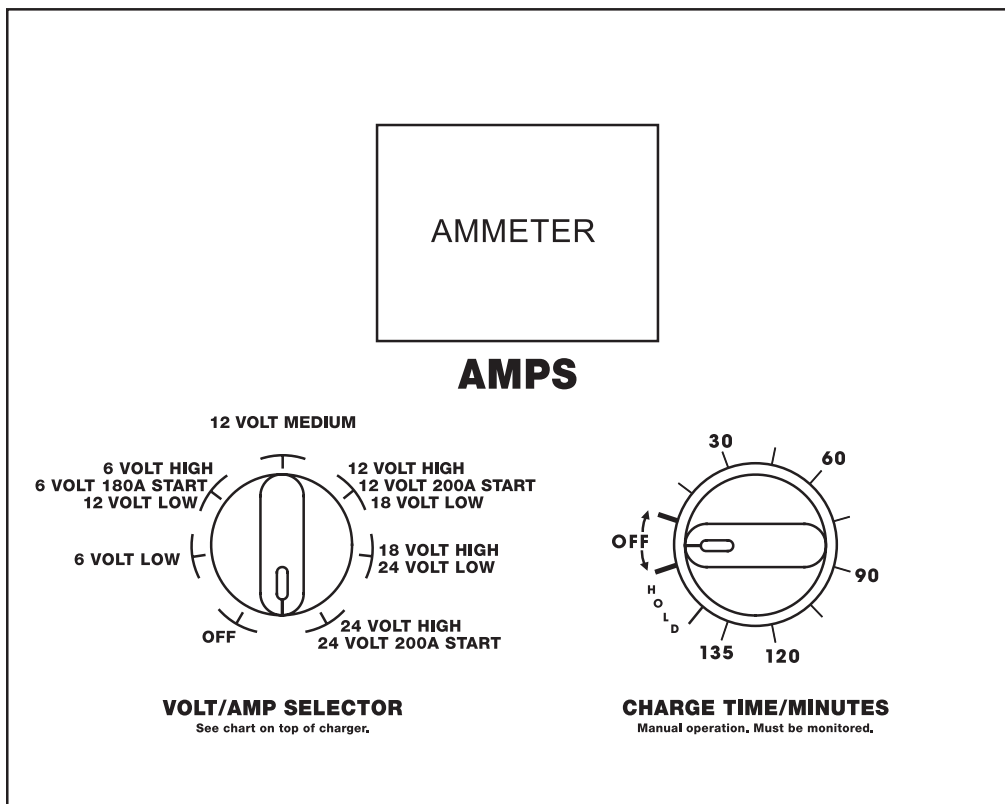
Pro-Series™ Wheel Charger Model #PS-2352  
Constant Charge Amperages: 2 and 35  
Engine Start: 200  
For 12 Volt Batteries



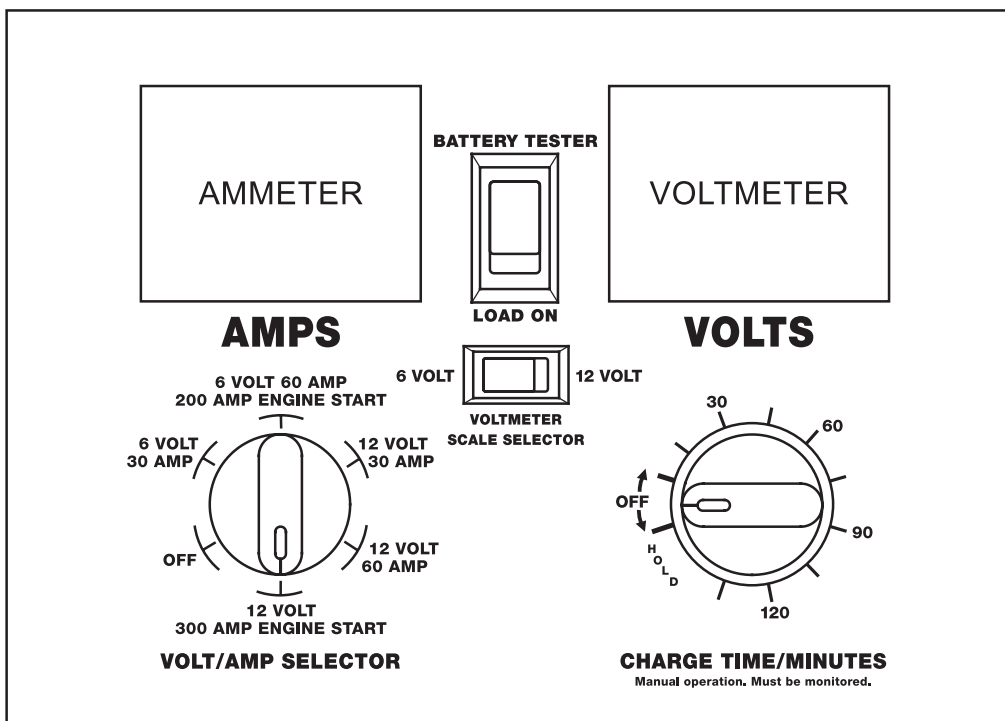
Pro-Series™ Wheel Charger Model #PS-5250  
Constant Charge Amperages: 10 for 12 Volt and 50 for 6 & 12 Volt  
Engine Start: 250 Amp for 12 Volt and 125 Amp for 6 Volt  
For 6 & 12 Volt Batteries

**H.**

**OUTPUT SELECTOR CONTROLS**



Pro-Series™ Wheel Charger Model #PS-3000  
 Constant Charge Amperages: 30, 44, 60 and 80  
 Engine Start: 200 Amp for 12/24 Volt and 180 Amp for 6 Volt Batteries  
 For 6/12/18/24-Volt Battery Systems



Pro-Series™ Wheel Charger Model #PS-8050  
 Constant Charge Amperages: 30 and 60  
 Engine Start: 300 Amp for 12 Volt and 200 Amp for 6 Volt  
 For 6 & 12 Volt Batteries

**TIMER:** The main function of the timer is to prevent over charging while allowing a battery time to obtain a satisfactory charge. To properly set the timer you must know the size of the battery in ampere hours or reserve capacity in minutes and the state of charge. Often the state of charge is not known, this is one reason why the timer was limited to 2.25 hours. With the aid of a battery load tester the state of charge can be obtained within a few seconds. For example, the average size automotive battery at a 50% state of charge will require 1 to 1.5 hours of charging at the 40 amp rate to reach the full charge state. For the same battery with the timer set to its maximum, 2.25 hours, over charging will occur, but not likely cause harm to a battery that was other wise in good condition. When the charge state is not known, start out with a timer setting of 1 hour or less.

**HOLD:** This position defeats the timer function, allowing for continuous operation. Use when you want to charge more than 2.25 hours. This is normally the case when the 2 amp charge rate is selected. Be sure to monitor the charging and stop the charge when the battery is charged.

**Switch #1** - Use this switch to select the 200 Amp Engine Start and the 35 Amp Charge Rate. Switch #2 must be in the down position (Select Position) when using Switch #1.

**Switch #2** - Use this switch to select the 2 Amp Charge Rate and OFF position. Also, use to select use of switch #1. Note that switch #1 is only effective when switch #2 is set to "Select Position".

**Rotary switch** - Use the rotary switch (volt / rate selector, on all models except the PS-2352) to select the charge rate or engine start setting you require. Read the switch dial for those available on this charger.

Model PS-3000 employs a 7-position rotary switch. You may select output voltages of 6, 12, 18 or 24 volts for charging batteries of those voltages or battery combinations connected in series (not parallel) in which the sum of the battery voltages adds up to the range selected. Each voltage range offers a high or low amp charge rate. The higher charge rate is more suitable for fast charging a battery to the point where it will start a vehicle, the lower (slower) charge rate is more suitable for fully charging (restoring) a battery.

#### **Load Tester Switch (on PS-8050 only)**

Use this switch to apply load to the battery.

#### **Follow these easy steps:**

1. Select the correct setting of the meter ( 6V or 12V ) to agree with the battery to be tested.
2. Connect the charger leads to the battery following the instructions in section F.
3. Press the Load Switch to load on for 10 seconds and read the voltmeter.

**Good (green)** - indicates the battery capacity is OK. Battery may or may not be fully charged. Check the specific gravity of battery to determine the state of charge. If the specific gravity is less than full charge, check for electrical drain or possible charging system trouble. Recharge battery to full level.

**Yellow or Red, but needle remains steady** - indicates that the battery capacity is not satisfactory. Battery may be either defective or not fully charged. Check specific gravity to see which condition exists. If charging does not bring the battery specific gravity to full charge, the battery should be replaced.

**Yellow or Red, but needle remains falling** - indicates the battery may be defective or run down. Release the load switch and note voltmeter reaction. Voltage recovery into green or above within seconds indicates a defective battery. Slow recovery indicates run down condition. For best results, check specific gravity.

The **Ammeter** indicates the amount of current measured in amperes that is being drawn by the battery. For example, In the 50 amp charge rate a typical discharged battery will initially draw approximately 50 amps. As the battery continues to charge, current will taper to 15 to 20 amps at full charge. The Start area of the meter indicates a high rate of current being drawn from the charger. When cranking an engine, the starter motor draws upwards to 200-300 amps. The meter needle will be at the extreme right side of the start area. Sometimes a battery for the first few minutes of its charge will draw more than 40/60 amps, in this case the needle may be within but not to the extreme right side of the start area. The 2 amp charge rate (on some models) may indicate some activity on the meter. The meter doesn't have the resolution to display this low rate.

The **Voltmeter** indicates the voltage at the battery terminals. Note that Model PS-5250 is not a load tester, but a voltmeter. Use as follows:

1. Charger need not be plugged into AC outlet. Timer should be in the OFF position, 6V/12V switch in position to match battery being tested, and then connect following instructions in Section F.
2. Observe the meter indication. Keep in mind that this reading is only a battery voltage reading, a false surface charge may mislead you. We suggest that you turn on your headlamps for a couple of minutes before you read the meter. Read a couple of minutes after you have shut the headlamps off, then follow the convenient color code of the meter.

## I.

## ENGINE START

1. Set charge rate switch and timer to OFF positions. (No timer on Model 2352.)
2. With the charger unplugged from the AC outlet, connect the charger to the battery following instructions given in section F.
3. Plug the charger AC power cord into the AC outlet, then move timer from OFF to HOLD position. (No timer on PS-2352).
4. Set the charge rate switch to the engine start position that matches the vehicle battery and then crank the engine. Follow the duty cycle printed on the front panel of your charger for proper ON / OFF times. During extremely cold weather or when the battery is severely exhausted, charge the battery for about 5 minutes before cranking the engine.
5. If the engine fails to start, charge the battery for 5 more minutes before attempting to crank the engine again.
6. After the engine starts, move the charge rate switch to OFF and unplug the AC power cord from the outlet before disconnecting DC clamps.

Do not try to engine start a vehicle without a battery in it. You may damage the vehicle's system. If the engine spins, but doesn't start after several starting attempts, there is a problem with the engine of the vehicle other than its starting system. STOP cranking the engine until the other problem has been found and corrected.

## J.

## CHARGE PERIOD

Determine the charge level of your battery with a hydrometer or electronic percent of charge tester. Determine the ampere hour rating of your battery. It may be on the battery information label. If the battery is rated in reserve capacity, convert to ampere hour rating using the following formula:

$$\text{Ampere Hour rating} = \frac{(\text{Reserve Capacity})}{2} + 16$$

$$\text{Example: AH rating} = \frac{(168 \text{ Reserve Capacity})}{2} + 16$$

or AH = 100

**Note: Reserve capacity is in minutes.**

Use the following formula to determine the time of charge required:

**(AH x % of charge needed) divided by amp setting of the charger, times 1.25 = hours of charge**

Example:

**State of charge of the battery is 50%**

**Percent of charge needed is 100% - 50% = 50%  
(0.50 decimal)**

**Ampere rating of the battery is 100AH**

**Charger setting is 10 Amps**

$$\frac{100 \times 0.50}{10} = x \quad 1.25 = 6.25 \text{ hours of charge needed}$$

**hour more if charging a deep cycle battery**

$$6.25 + 1.00 = 7.25 \text{ hours total for a deep cycle battery.}$$

A hydrometer reading of the specific gravity of the electrolyte (fluid) of the battery in good condition should be between 1.25 and 1.28.

When a battery reaches 80–85% of full charge, bubbles will appear on the surface of the fluid. As the battery nears full charge, bubbling will become more vigorous.

# K.

# BATTERY CHARGING

### CHARGER MUST BE ASSEMBLED BEFORE USING

1. Before charging any battery, make sure the electrolyte (battery liquid) in each cell is at correct level.
2. Set all switches and timers to the OFF position. (Model 2352 does not have a timer.)
3. If the battery is being charged inside the vehicle, use connection procedures outlined in Section F. Should the battery be removed from the vehicle, follow the instruction in Section D, step 6 and Section G. Plug the power cord into the AC outlet.
4. Set the charge rate switch to the desired charge position. See Charge Rate Charts.
5. Set the timer from OFF position to desired timed charge, 30-135 minutes. (No timer on PS-2352).

**NOTE:** These battery chargers are not automatic and can overcharge a battery if permitted to operate for extended periods of time. Monitor the charging often.

**Also, your charger may exhibit a noise (buzzing) during charging. Laminations of the transformer tend to vibrate. This is normal...continue to charge the battery. The noise may continue after charger is disconnected from battery.**

BATTERY SIZE/RATING			CHARGE RATE*/CHARGING TIME IN HOURS**					
			2 AMP	10 AMP	30 AMP	35 AMP	50 AMP	60 AMP
SMALL BATTERIES	Motorcycle, Garden Tractor, etc.	6 -12 AH	1.5 - 3					
		12 - 32 AH	3 - 8					
CAR/ TRUCKS	200 - 315 CCA	40 - 60 RC	11 - 15	2.5 - 3	.75 - 1	.5 - .75	NR	NR
	315 - 550 CCA	60 - 85 RC	15 - 18	3 - 4	1 - 1.5	.75 - 1	.6 - 1	.5 - .63
	550 - 875 CCA	85 - 125 RC	18 - 25	4 - 5	1.5 - 1.7	1 - 1.5	1 - 1.3	.63 - .75
MARINE/ DEEP CYCLE		55 MC	15	4	NR	NR	NR	NR
		80 MC	19	5	2	1.75	NR	NR
		105 MC	23	6	2.5	2	NR	NR

\* Charge rates for this on the front panel.

\*\* Based on battery at 50% charge.

AH Ampere Hours

NR Not Recommended

CCA Cold Cranking Ampere

RC Reserve Capacity

MC Marine Capacity

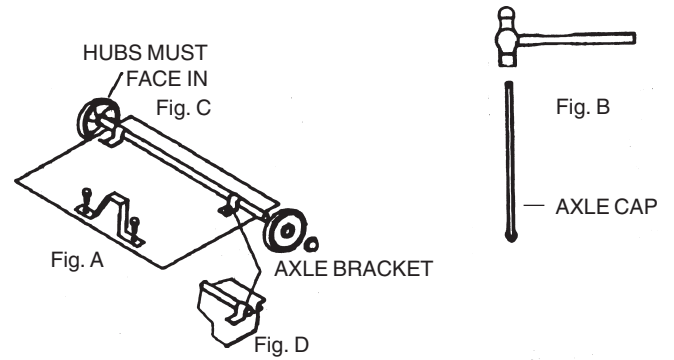


**Wheel Charger Assembly Instructions:****NOTE:** Charger must be assembled before operating**Parts**

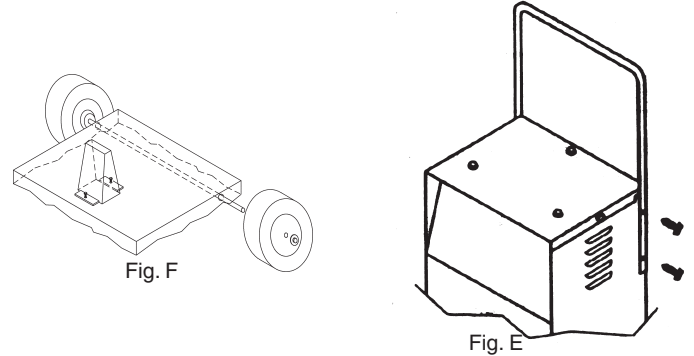
- (2) 10-32 screws
- (2) 1/4-20 screws
- (2) wheels
- (2) axle caps
- (1) handle
- (1) mounting foot
- (1) axle
- (2) axle brackets

**Tools Necessary**

- 5/16" wrench
- 3/8" wrench
- Hammer
- Screwdriver



1. First place the charger on it side.
2. Next mount the mounting foot FIG. A with (2) 1/4-20 screws, or FIG. F with (2) 10-32 screws. Then, mount the (2) axle brackets with the (2) 10-32 screws (as shown in FIG. D).
3. Next pound the axle firmly into an axle cap using a hammer FIG. B.
4. Slide one wheel onto the axle with hub facing in, as shown in FIG. C.
5. Poke above assembly axel brackets in charger back until axle sticks out of the other end.
6. Turn charger on its other side.
7. Slide wheel and pound cap onto the axle end.
8. Next turn the charger right side up onto its foot and wheels.
9. Remove the (2) top screws from each side of the charger, line up the handle and reinstall the screws FIG. E.



**M.****TROUBLESHOOTING**

If a problem does occur, check the following:

<b>PROBLEM</b>	<b>POSSIBLE CAUSE</b>	<b>SOLUTION</b>
No Meter Reading (AC Cord Unplugged)	Clips are not making a good connection.  Battery voltage is too low.  2 amp charge rate being used.	Rock clips back and forth for a better connection.  Plug AC line into outlet. Meter should now indicate.  None, meter will not indicate here.
Charger will not turn on when properly connected.	AC outlet is dead.  Poor electrical connection.	Plug in a lamp to check for voltage.  Check connections, rock back and forth for a better connection.
Clicking noise from charger.	Circuit breaker is cycling.  Battery is defective.  Severely discharged battery but otherwise a good battery.  Reverse connections at battery.	May be in the wrong switch position  Have Battery checked.  Allow charging to continue until battery has a chance to recover sufficiently to take a charge. If more than 20 min. stop charging and have the battery checked.  Shut off charger and correct lead connections.

## LIMITED WARRANTY

**SCHUMACHER ELECTRIC CORPORATION, 801 BUSINESS CENTER DRIVE, MOUNT PROSPECT, ILLINOIS, 60056-2179 MAKES THIS LIMITED WARRANTY TO THE ORIGINAL PURCHASER AT RETAIL OF THIS PRODUCT. THIS LIMITED WARRANTY IS NOT TRANSFERABLE.**

Schumacher Electric Corporation warrants this battery charger for 3 years, and the transformer and rectifiers for 5 years from date of purchase at retail against defective material or workmanship. If such should occur, the unit will be repaired or replaced at the option of the manufacturer. It is the obligation of the purchaser to forward the unit together with proof of purchase, transportation and / or mailing charges prepaid to the manufacturer or its authorized representative. This limited warranty is void if the product is misused, subjected to careless handling, or repaired by anyone other than the factory or other

authorized factory representative. The manufacturer makes no warranty other than this limited warranty and expressly excludes any implied warranty including any warranty for consequential damages.

This is the only express limited warranty and the manufacturer neither assumes nor authorizes anyone to assume or make any other obligation towards the product other than this express limited warranty. The manufacturer makes no warranty of merchantability or fitness for purpose of this product and expressly excludes such from this limited warranty. Some states do not allow the exclusion or limitation of incidental or consequential damages or length of implied warranty so the above limitations or exclusions may not apply to you. "This warranty gives you specific legal rights, and you may have other rights which vary from state to state."

**PLEASE NOTE:** In most instances, a "replacement" charger is a factory-reconditioned unit. Free replacement applies only within the initial 3-year period. Factory-reconditioned units are available at a low, fixed cost after the 3-year warranty expires.



801 Business Center Drive  
Mount Prospect, Illinois 60056-2179

Send Warranty Product Repairs to:  
Schumacher Electric Corporation, Warranty Service Department  
1025 Thompson Avenue, Hoopston, IL 60942

Phone: 800-621-5485 (Hours: 7 a.m. – 4:30 p.m. CST)

## NOTES

# PRO-SERIES

## MANUAL DEL USUARIO

Para  
Baterías De  
Plomo-ácido

NO. DEL MODELO	NO. DE AMPERIOS	VOLTIOS	ARRANQUE DEL MOTOR
PS-2352	2/35	12	200
PS-5250	10/50	6/12	125/250
PS-8050	30/60	6/12	200/300
PS-3000	30/44/60/80	6/12/18/24	180/200

## *–No destruya este manual– Instrucciones Importantes De Seguridad*

**Lea con detenimiento estas instrucciones y reglas para utilizarlas con seguridad.**

El trabajar cerca de baterías de plomo-ácido es peligroso. Las baterías generan gases explosivos durante su operación normal. Por esta razón, es de gran importancia que cada vez que utilice su cargador, lea este manual y siga sus instrucciones exactamente.

### **A SEGURIDAD EN GENERAL CON BATERÍAS**

- Antes de utilizar el cargador de baterías, asegúrese de leer todas las instrucciones y precauciones impresas en:
    - El cargador de baterías
    - La batería
    - El vehículo o unidad que usa la batería
  - Use el cargador de baterías solamente en baterías recargables de PLOMO-ÁCIDO, tales como las usadas en automóviles, camiones, tractores, aviones, furgonetas, RVs, motores de marcha lenta, etc. El cargador no se ha diseñado para alimentar sistemas eléctricos de bajo voltaje, excepto en aplicaciones automovilísticas.

**ADVERTENCIA:** No utilice el cargador de baterías para cargar pilas secas como las que se usan en artefactos domésticos. Dichas baterías pueden explotar y causar lesiones a las personas, y daños a la propiedad.
  - Utilice solamente los accesorios recomendados o vendidos por el fabricante. El uso de accesorios no recomendados puede ser causa de incendio, choque eléctrico o lesiones.
  - Cuando se desconecta el cargador de baterías, tire del enchufe, no del cable. El tirar del cable puede causar daños al cable o al enchufe.
  - Coloque el cable del cargador en forma que no se le pueda pisar, tropezarse con él, o causarle daños o estiramiento.
  - No use el cargador si su cable o enchufe están dañados. Haga reemplazar el cable inmediatamente.
  - No use el cargador si ha recibido un golpe fuerte, se ha caído o ha recibido cualquier tipo de daño. Llévelo a un profesional calificado para su inspección y reparación.
  - Nunca desarme el cargador. Llévelo a un profesional calificado cuando necesite servicios o reparación. Si se rearma en forma incorrecta puede causar incendio o choque eléctrico.
  - Para reducir el riesgo de choque eléctrico, desenchufe el cargador del tomacorriente antes de intentar darle mantenimiento o limpieza.
  - No utilice un cordón de extensión a menos que sea absolutamente necesario. El uso de un cordón de extensión incorrecto puede ser causa de incendio o choque eléctrico. Si hay que utilizar cordón de extensión, asegúrese de que:
    - Las clavijas del enchufe del cordón de extensión sean del mismo número, tamaño y forma que las del enchufe del cargador.
    - El cordón de extensión esté correctamente cableado y en buenas condiciones eléctricas.
    - El calibre del alambre es suficientemente grande para el amperaje CA (corriente alterna, "AC" en inglés) del cargador, como se especifica a continuación:
- | Largo del cordón   | Tamaño | 25pies | 50pies | 100pies | 150pies |
|--------------------|--------|--------|--------|---------|---------|
| AWG* size of cord: |        | 16     | 14     | 10      | 8       |
- \*AWG-American Wire Gauge
- Siempre cargue las baterías en una área bien ventilada. **NUNCA** trabaje en una zona cerrada o pequeña sin ventilación adecuada debido al riesgo de gases explosivos. **ADVERTENCIA:** Peligro de gases explosivos.
  - Coloque el cargador tan lejos de la batería como permitan los cables CC (corriente continua, "DC" en inglés). del cargador.
  - No exponga el cargador a la lluvia o a la nieve.
  - NUNCA** cargue una batería que está congelada. Si el líquido de la batería (electrolito) está congelado, lleve la batería a un lugar templado para descongelarla antes de cargarla.
  - NUNCA** deje caer el ácido de la batería sobre el cargador mientras verifica la gravedad específica o llena la batería.
  - NUNCA** asiente la batería sobre el cargador.
  - NUNCA** coloque el cargador directamente sobre la batería que se está cargando. Los gases de la batería corroerán y dañarán al cargador.
  - NUNCA** junte las pinzas de batería cuando el cargador está activado.

## B. PRECAUCIONES Y SEGURIDAD PERSONAL

1. **ADVERTENCIA:** Use protección total para los ojos y protección para la ropa cuando trabaje con baterías de plomo-ácido.
2. Asegúrese que haya alguien que lo pueda oír o esté suficientemente cerca para venir en su ayuda cuando trabaja con o cerca de una batería de plomo-ácido.
3. Tenga cerca abundante agua fresca y jabón para usar si el ácido de la batería entra en contacto con la piel, la ropa o los ojos. Si el ácido de la batería entra en contacto con la piel o la ropa, lávese inmediatamente con agua y jabón.
4. Evite tocarse los ojos mientras trabaja con una batería. ¡Partículas del ácido (corrosión) pueden entrar a los ojos! Si entra el ácido a los ojos, lávelos inmediatamente con abundante agua fría por 10 minutos por lo menos. Y obtenga atención médica inmediatamente.
5. Para trabajar con una batería de plomo-ácido quítese todo objeto de metal como anillos, collares y relojes. Una batería de plomo-ácido puede causar un cortocircuito de suficiente poder para hacer soldar un anillo (o algo similar) a metal, causando una quemadura grave.
6. Cuide de no dejar caer una herramienta u otro objeto de metal en la batería. El metal puede causar chispas o cortocircuito de la batería u otro dispositivo eléctrico. Las chispas pueden causar una explosión.
7. Siempre utilice el cargador de baterías en una área abierta y bien ventilada.
8. **NUNCA** se debe fumar ni debe haber chispas o llamas cerca de la batería o el motor. ¡Las baterías producen gases explosivos!

## C. CONEXIONES A TIERRA Y DEL CABLE DE ALIMENTACIÓN CA

El cargador debe conectarse a tierra para reducir el riesgo de choque eléctrico. El cargador viene con un cable eléctrico con conductor del equipo a tierra, y un enchufe para conexión a tierra. El enchufe se debe enchufar a un tomacorriente debidamente instalado y a tierra, de acuerdo con todos los códigos y ordenanzas locales.

Este cargador de batería es diseñado para uso en un circuito de 120 voltios nominales, y tiene un enchufe para conexión a tierra como se ve en la ILUSTRACIÓN 1 (A). Este enchufe es para usarse en un tomacorriente con conexión a tierra. Las clavijas del enchufe deben entrar en el tomacorriente.

**ADAPTADOR:** Un adaptador temporal, mostrado en la ILUSTRACIÓN 1 (B) y (C) se puede usar para conectar el cargador a un tomacorriente de dos polos, como la ILUSTRACIÓN 1 (B).

**NOTA:** El adaptador temporal se debe usar solamente hasta que un electricista calificado pueda instalar un tomacorriente debidamente conectado a tierra.

**PELIGRO: NUNCA** haga alteraciones al cable o al enchufe CA proporcionados. Si no entra en el tomacorriente, haga que un electricista calificado instale uno apropiado. Una conexión indebida puede causar choque eléctrico.

**PELIGRO:** Antes de usar un adaptador como el ilustrado, asegúrese que el tornillo central de la tapa del tomacorriente esté conectado a tierra. La oreja o brida rígida de color verde que nace del adaptador, se debe conectar a un tomacorriente conectado a tierra. Asegúrese que esté conectado a tierra. Si fuera necesario, reemplace el tornillo original de la tapa del tomacorriente con uno más largo que asegurará la oreja o brida del adaptador a la tapa del tomacorriente y hará conexión a tierra con el tomacorriente a tierra.

**“No se permite el uso de un adaptador en el Canadá”**

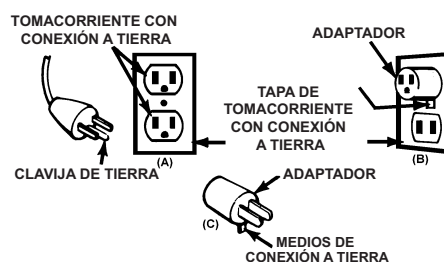


ILUSTRACIÓN 1: PUESTA A TIERRA

## D. PREPARACIONES PARA CARGAR LA BATERÍA

1. Verifique el voltaje de la batería y seleccione el conmutador de carga que corresponde.
2. Limpie los terminales de la batería. Cuide de que no entre corrosión a los ojos.
3. Si es necesario, añada agua destilada en cada célula de la batería hasta que el ácido llegue al nivel especificado por el fabricante de la batería. Esto ayuda a expulsar gases excesivos de las células. No sobrepase dichos niveles. Para una batería sin tapas de células, siga cuidadosamente las instrucciones del fabricante para recargar.
4. Estudie todas las precauciones específicas del fabricante, tales como el quitar o no quitar las tapas de las células mientras se carga, y las tasas de carga recomendadas.
5. Asegúrese que el área alrededor de la batería esté bien ventilada mientras se carga la batería. Se puede expulsar los gases usando como abanico una pieza de cartón u otro material no metálico.
6. Si es necesario sacar la batería del vehículo para cargarla, siempre quite primero el terminal de tierra. Asegúrese que todos los accesorios del vehículo estén apagados para que no se produzca un arco.
7. Una batería marina (de botes) se debe sacar y cargarse en tierra. Para cargarla a bordo se requiere equipos especialmente diseñados para uso marino.

## E. PRECAUCIONES EN EL LUGAR DE TRABAJO

**Nunca** coloque el cargador sobre la batería cuando esta se está cargando. La batería despidе gases que pueden dañar el cargador.

**Nunca** permita que el ácido de la batería gotee sobre el cargador

cuando se está leyendo la gravedad específica o llenando la batería.

**Nunca** opere el cargador en una área cerrada o de ventilación restringida de ninguna manera.

No asiente la batería sobre el cargador.

## F. INSTRUCCIONES DE OPERACIÓN PARA CARGAR UNA BATERÍA INSTALADA EN EL VEHÍCULO

Para cargar la batería en el vehículo, determine el tipo de batería y cuál de los terminales está conectado a tierra. Para reducir el riesgo de chispas cerca de la batería, siga los siguientes pasos cuando la batería está instalada en el vehículo. **ADVERTENCIA: Una chispa cerca de la batería puede causar la explosión de esta.**

1. Coloque el cable de alimentación CA y los cables de cargar CC del cargador en tal posición que se evite daño por el capó, la puerta o las partes móviles del motor.
2. Manténgase alejado de las paletas del ventilador, correas, poleas y otras piezas que puedan causar lesiones.
3. Verifique la polaridad de los terminales de la batería. La caja de la batería está marcada cerca de los terminales. **POSITIVO (POS, P, +) y NEGATIVO (NEG, N, -) NOTA:** Usualmente el terminal positivo de la batería es de mayor diámetro que el negativo.
4. Determine cual terminal de la batería está puesto a tierra (conectado al chasis).  
**NOTA:** El terminal negativo normalmente está conectado a tierra.

### TERMINAL NEGATIVO A TIERRA

- 5A. Para vehículos con negativo a tierra, conecte la pinza POSITIVA (ROJA) del cargador de batería al terminal POSITIVO (POS, P, +) de la batería que no está a tierra. Conecte la pinza NEGATIVA (NEGRA) al chasis o bloque del motor del vehículo, lejos de la batería. Conecte la pinza a una parte de metal grueso y sin pintura del bastidor o al bloque del motor.

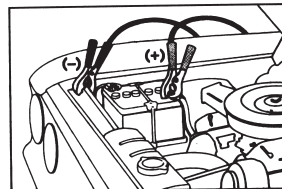
### TERMINAL POSITIVO A TIERRA

- 5B. Para vehículos con positivo a tierra, conecte la pinza NEGATIVA (NEGRA) del cargador de batería al terminal

NEGATIVO (NEG, N -) de la batería que no está a tierra. Conecte la pinza POSITIVA (ROJA) al chasis o bloque del motor del vehículo, lejos de la batería. Conecte la pinza a una parte de metal grueso y sin pintura del bastidor o el bloque del motor.

**ADVERTENCIA:** No conecte la pinza al carburador, líneas de combustible o planchas de metal de la carrocería. **NOTA:** Conecte la pinza al terminal de la batería y muévala de atrás adelante varias veces para lograr un buen contacto. Esto tiende a evitar que se escapen las pinzas de los terminales y ayuda a evitar el riesgo de chispas.

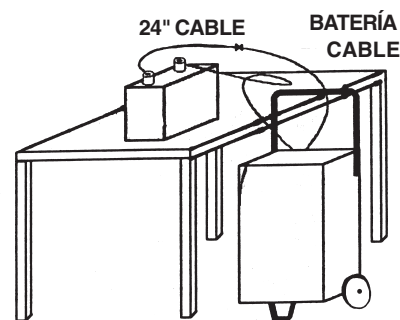
6. Siga los pasos 1-4 en la sección K, Carga de la Batería
7. Seleccione el amperaje.
8. Cuando la batería está totalmente cargada, mueva el conmutador a OFF, (apagado), luego desconecte el cargador del tomacorriente CA.
9. Quite (1) las pinzas del chasis y (2) del terminal de la batería, en ese orden.
10. Limpie y almacene el cargador de baterías.



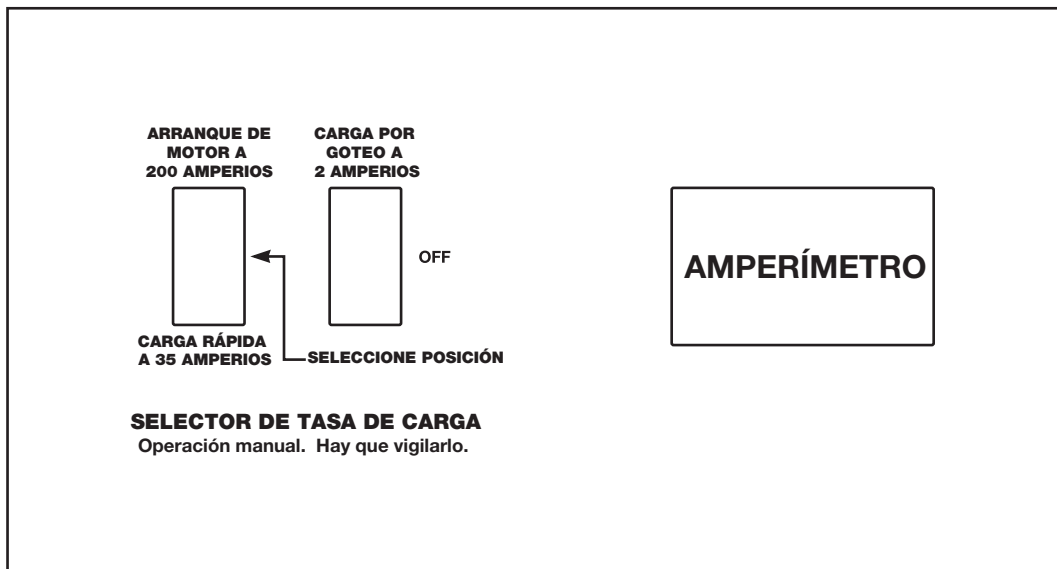
## G. INSTRUCCIONES DE OPERACIÓN PARA CARGAR UNA BATERÍA QUE ESTÁ FUERA DEL VEHÍCULO

Para cargar una batería fuera del vehículo, determine el tipo de batería. Para reducir el riesgo de chispas cerca de la batería, siga los siguientes pasos cuando la batería está fuera del vehículo. **ADVERTENCIA: Una chispa cerca de la batería puede causar la explosión de esta. ADVERTENCIA:** Para sacar la batería de un vehículo o bote, desconecte primero el terminal a tierra. Antes de desconectar la batería, asegúrese que todos los accesorios estén apagados para que no se produzca un arco. **(NOTA: Una batería marina (de botes) se debe sacar y cargarse en tierra. (Para cargarla a bordo se requiere equipos especialmente diseñados para uso marino).**

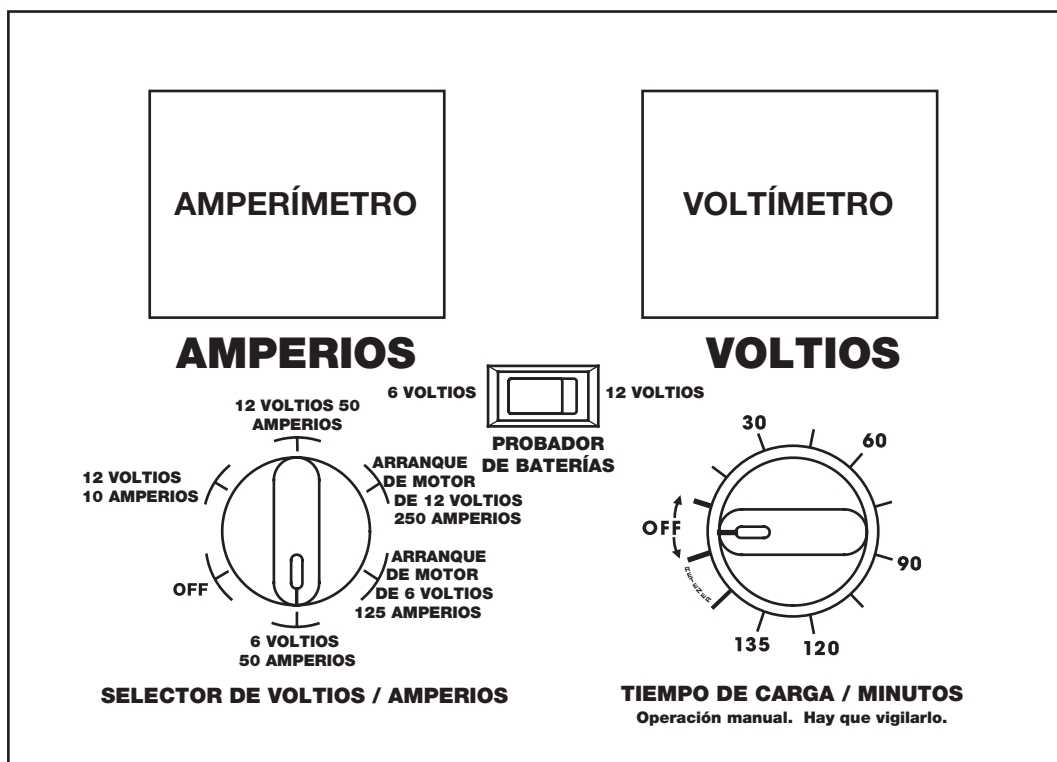
1. Verifique la polaridad de los terminales de la batería. La caja de la batería está marcada cerca de los terminales. **POSITIVO (POS, P, +) y NEGATIVO (NEG, N, -) NOTA:** Usualmente el terminal positivo de la batería es de mayor diámetro que el negativo.
2. Asegure un cable de batería aislado calibre 6 (AWG) de 24 pulgadas (61 cm) o más al terminal NEGATIVO (NEG, N, -). (El cable de batería de 24 pulgadas no viene con el cargador. Se puede conseguir fácilmente en la mayoría de las tiendas de piezas para automóviles). El cable de 24 pulgadas provee una condición de conexión más segura. Puede haber chispeo o arco al conectar la pinza del cargador al cable.
3. Conecte la pinza POSITIVA (ROJA) del cargador al terminal POSITIVO (POS, P, +) de la batería. Mueva la pinza de adelante atrás para lograr una buena conexión.
4. Colóquese Ud. mismo y el extremo libre del cable de 24 pulgadas (61 cm) tan lejos de la batería como sea posible. Luego conecte la pinza NEGATIVA (NEGRA) del cargador al extremo libre del cable.  
**ADVERTENCIA:** Al hacer la conexión final, no se ponga de cara a la batería. Mueva la pinza de adelante atrás para lograr una buena conexión.
5. Siga los pasos 1-4 en la Sección K: Carga de la Batería
6. Seleccione el amperaje..



7. Cuando la batería está totalmente cargada, mueva el conmutador a OFF, luego desconecte el cargador del tomacorriente CA.
8. Cuando la batería está totalmente cargada y el cargador está desconectado  
(1) Desconecte la pinza negativa del cargador del cable de 24"  
(2) Quite la pinza positiva del cargador del terminal positivo de la batería.
9. Limpie y almacene el cargador de baterías.  
**ADVERTENCIA:** Asegúrese de que el área alrededor de la batería esté bien ventilada mientras se carga la batería. Se puede expulsar los gases usando como abanico una pieza de cartón u otro material no metálico.

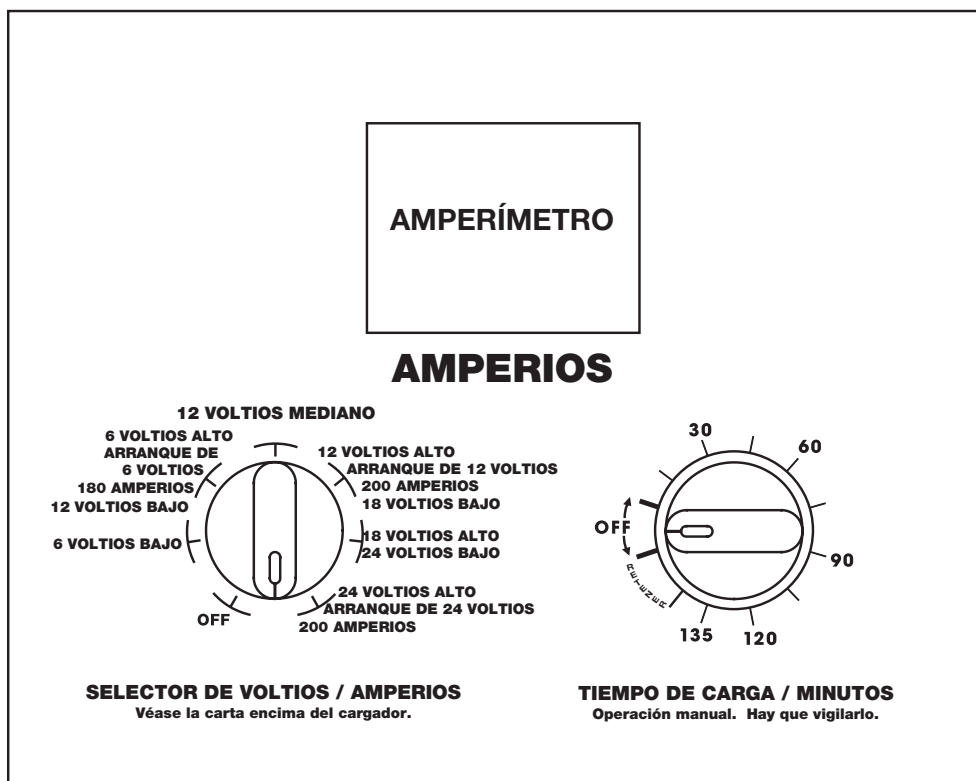


Cargador a Rueda Pro-Series Modelo #PS-2352  
 Amperajes de Carga Constante: 2 y 35  
 Arranque de Motor: 200  
 Para Baterías de 12 voltios

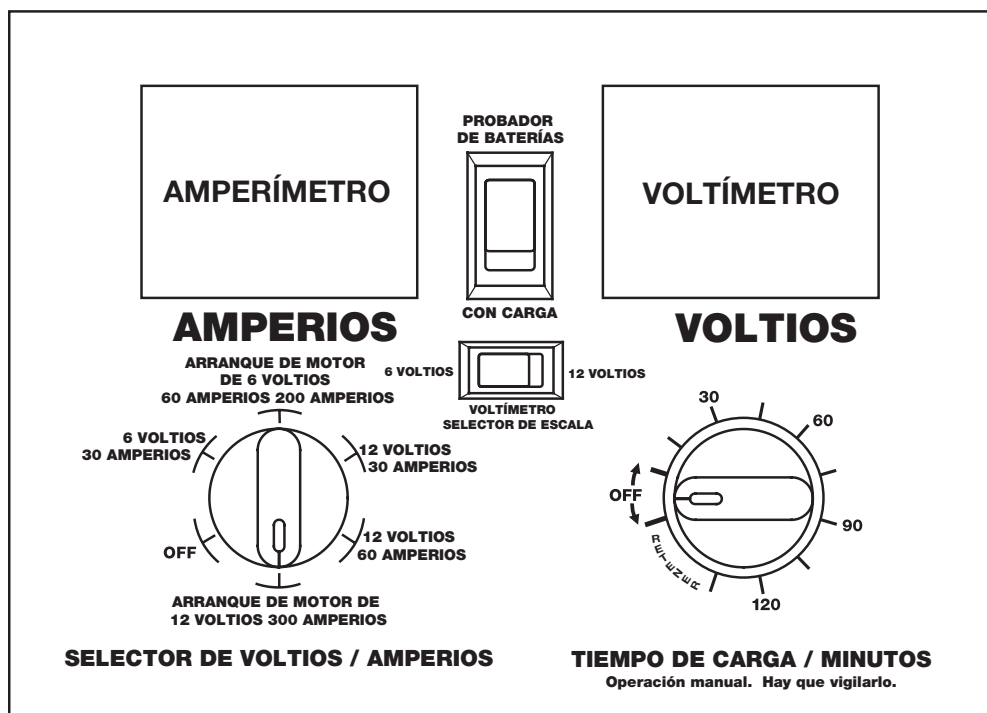


Cargador a Rueda Pro-Series Modelo #PS-5250  
 Amperajes de Carga Constante: 10 para 12 Voltios y 50- para 6 y 12 Voltios  
 Arranque de Motor: 250 Amperios para 12 Voltios y 125 Amperios para 6 Voltios  
 Para Baterías de 6 y 12 voltios





Cargador a Rueda Pro-Series Modelo #PS-3000  
 Amperajes de Carga Constante: 30, 44, 60 y 80  
 Arranque de Motor: 200 Amperios para Baterías de 12/24 Voltios  
 y 180 Amperios para Baterías de 6 Voltios  
 Para Sistemas de Baterías de 6/12/18/24 Voltios



Cargador a Rueda Pro-Series Modelo #PS-8050  
 Amperajes de Carga Constante: 30 y 60  
 Arranque de Motor: 300 Amperios para 12 Voltios y 200 Amperios para 6 Voltios  
 Para Baterías de 6 y 12 Voltios

**TIMER** (Temporizador) La función principal del temporizador es de evitar sobrecarga a la vez que permite suficiente tiempo para que una batería alcance una carga adecuada. Para poner el temporizador en forma correcta, hay que saber el tamaño de la batería en horas amperios o capacidad de reserva en minutos, así como el estado de la carga. A menudo no se conoce el estado de la carga; esta es una razón por la cual el temporizador se ha limitado a 2.25 horas. Con la ayuda de un probador de carga de baterías, se puede obtener el estado de la carga dentro de pocos segundos. Por ejemplo, la batería de automóvil de tamaño normal a un estado de carga del 50% requerirá cargarse por 1 a 1.5 horas a tasa de 40 amperios para alcanzar el estado de plena carga. Para la misma batería con el temporizador puesto a su máximo de 2.25 horas, habrá sobrecarga, pero es probable que no cause daño a una batería que de otro modo estaba en buen estado. Cuando no se conoce el estado de carga, comience con el temporizador puesto a 1 hora o menos.

**HOLD** (Retener) Esta posición contrarresta la función del timer, y así permite operación continua. Es de usar cuando se quiere cargar por más de 2.25 horas. Esto normalmente es el caso al seleccionar la tasa de carga de 2 amperios. Es esencial vigilar el proceso de cargar y pararlo cuando la batería ya está cargada.

**Switch** (Conmutador) No. 1 – Use este conmutador para seleccionar el Arranque de Motor a 2 amperios y la Tasa de Carga de 35 amperios. El Conmutador No. 2 tiene que estar en posición hacia abajo (Select Position) cuando se usa el Conmutador No. 1.

**Switch** (Conmutador) No. 2 – Use esta conmutador para seleccionar la tasa de Carga de 2 amperios y la posición OFF. Úselo también para seleccionar el uso del Conmutador No. 1. Nótese que el Conmutador No. 1 funciona solamente cuando el Conmutador No. 2 está puesto en “Selector Position”.

**Rotary Switch** (Conmutador Rotativo)– Use el conmutador rotativo (selector de tasa de voltaje en todos los modelos salvo el PS-2352), para seleccionar la tasa de carga o arranque de motor que se requiere. La esfera del conmutador le indica cuáles de aquellas tasas de carga están disponibles en este cargador.

El Modelo PS-3000 utiliza en conmutador rotativo de 7 posiciones. Se puede seleccionar voltajes de salida de 6, 12, 18 o 24 voltios para cargar baterías de aquellos voltajes o combinaciones de baterías conectadas en serie (no en paralelo) en las cuales el total de los voltajes de las baterías es igual al alcance seleccionado. Cada alcance de voltaje provee una tasa de carga a amperios altos o bajos. La tasa de carga más alta es más adecuada para cargar una batería rápidamente hasta el punto donde puede arrancar un vehículo; la tasa de carga más baja (más lenta) sirve mejor para dar plena carga (restaurar) a una batería.

**Load Tester Switch**(Conmutador Probador de Carga) (en el **PS-8050** únicamente).

Se usa este conmutador para aplicar carga inversa a la batería.

Siga estos pasos fáciles:

1. Seleccione la puesta correcta del medidor (6 o 12 voltios) para estar de acuerdo con la batería a ser probada.
2. Conecte los cables del cargador a la batería según las instrucciones en la sección F.
3. Oprima el Conmutador Probador de Carga a “Load On” por 10 segundos y lea el voltímetro.

**Bueno (verde)** – indica que la capacidad de la batería está bien. La batería puede o no estar a plena carga. Verifique la gravedad específica de la batería para determinar el estado de la carga. Si la gravedad específica está inferior a plena carga, investigue si hay pérdida de energía eléctrica o posible problema en el sistema de cargar. Recargue la batería hasta pleno nivel.

**Amarillo o Rojo, pero la aguja sigue fija** – indica que la capacidad de la batería no es satisfactoria. La batería puede ser defectuosa o no estar a plena carga. Verifique la gravedad específica para ver cual de las dos condiciones existe. Si el proceso de cargar no pone la gravedad específica de la batería a plena carga, se debe reemplazar a la batería.

**Amarillo o Rojo, pero la aguja sigue bajando** – indica que la batería puede ser defectuosa o está descargada. Suelte el conmutador de carga y note la reacción del voltímetro. La recuperación del voltaje en verde o más arriba dentro de pocos segundos indica una batería defectuosa. La recuperación lenta indica condición de descarga. Para los mejores resultados, verifique la gravedad específica.

El **Amperímetro** (Ammeter) indica la cantidad de corriente medida en amperios que va a la batería. Por ejemplo, a la tasa de carga de 50 amperios, una batería descargada típica inicialmente recibirá aproximadamente 50 amperios. A medida que la batería siga cargando, la corriente se irá bajando hasta 15 a 20 amperios a plena carga. El área “Start” del medidor indica una tasa alta de corriente saliendo del cargador. Al arrancar un motor, el motor de arranque recibe hasta por 200 a 300 amperios. La aguja del medidor estará al extremo derecho del área Start. A veces, durante los primeros minutos de su carga, una batería recibirá más de 40/60 amperios; en este caso la aguja puede estar dentro del área Start pero no al extremo derecho. La tasa de carga de 2 amperios (en algunos modelos) puede indicar alguna actividad en el medidor; pero el medidor no tiene la resolución suficiente para mostrar esta tasa baja.

El **Voltímetro** (“Voltmeter”) indica el voltaje en los terminales de la batería. Tome nota de que el Modelo PS-5250 no es probador de carga, sino voltímetro. Se debe usar de la siguiente manera:

1. El cargador no necesita estar enchufado en un tomacorriente CA. El temporizador debe estar en la posición OFF, y el conmutador 6V/12V en posición para igualar a la batería a ser probada, y luego conecte siguiendo las instrucciones en la Sección F.
2. Observe la indicación del medidor. Acuérdesse que esa lectura es solamente del voltaje de la batería; una carga superficial falsa le puede engañar. Sugerimos que encienda los faros delanteros por unos dos minutos antes de leer el medidor. Haga la lectura unos pocos minutos después de haber apagado los faros, y luego siga el conveniente código de color de medidor.

**L****ARRANQUE DEL MOTOR**

1. Ponga el conmutador de tasa de carga y el temporizador en las posiciones OFF (apagado). (No hay temporizador en el Modelo 2352).
2. Con el cargador desenchufado del tomacorriente AC, conecte el cargador a la batería siguiendo las instrucciones dadas en la sección F.
3. Enchufe el cable de alimentación CA del cargador en el tomacorriente CA, luego mueva el temporizador de OFF a la posición RETENER. (No hay temporizador en el modelo PS-2352).
4. Ponga el conmutador de tasa de carga en la posición de arranque de motor que sea igual a la batería del vehículo y luego haga arrancar el motor. Siga el duty cycle (factor de trabajo) impreso en el panel delantero de su cargador para los debidos tiempos de ON/OFF (encendido / apagado)

Cuando hay frío extremo o cuando la batería está bien descargada, cargue la batería por 5 minutos más antes de hacer arrancar el motor.

5. Si el motor no arranca, cargue la batería otros 5 minutos antes de intentar el arranque del motor otra vez.
6. Después de que el motor arranque, mueva el conmutador de tasa de carga a la posición OFF y desenchufe el cable de alimentación CA del tomacorriente antes de desconectar las pinzas CC.

No trate de arrancar el motor sin batería en el vehículo. El sistema del vehículo puede quedar dañado. Si el motor gira, pero no arranca después de varias tentativas, hay problema con el motor del vehículo aparte de su sistema de arranque. PARE la tentativa de arrancar el motor hasta que el otro problema se encuentre y se resuelva.

**J****PERÍODO DE CARGA**

Determine el nivel de carga de su batería con un hidrómetro o el porcentaje electrónico del probador de carga. Determine el régimen de amperio hora de su batería. Posiblemente esté en la etiqueta de datos de la batería. Si la batería tiene régimen en capacidad de reserva, se puede convertir en régimen de amperio hora utilizando la formula a continuación:

$$\text{Régimen de Amperio Hora} = \frac{(\text{Capacidad de Reserva})}{2} + 16$$

$$\text{Ejemplo: Régimen AH} = \frac{(168 \text{ Capacidad de Reserva})}{2} + 16$$

o AH = 100

**Nótese: La capacidad de reserva se expresa en minutos.** Use la siguiente fórmula para determinar el tiempo de carga requerido.

**(AH x % de carga requerido) dividido en la posición amperio del cargador, multiplicado por 1.25 = horas de carga.**

Ejemplo:

**El estado de carga de la batería es 50%**

**El porcentaje de carga requerido es 100% - 50% = 50% (0.50 decimal)**

**El amperaje de la batería es 100AH**

**La posición del cargador es 10 Amperios**

$$\frac{100 \times 0.50}{10} = x \quad \frac{1.25}{1.00} = 1.25$$

**6.25 horas de carga requeridas.  
hora más al cargar una batería  
de ciclaje profundo.  
7.25 horas en total para una batería  
de ciclaje profundo.**

Una lectura por hidrómetro de la gravedad específica del electrolito (fluido) de la batería en buen estado debe estar entre 1.25 y 1.28.

Cuando una batería llega al 80-85% de plena carga, aparecen burbujas en la superficie del fluido. A medida que la batería se acerca a plena carga, el burbujeo se hace más vigoroso.

**HAY QUE ENSAMBLAR EL CARGADOR ANTES DE USARLO.**

1. Antes de cargar ninguna batería, asegúrese de que el electrolito (líquido en la batería) está a nivel correcto en cada célula.
2. Ponga todos los conmutadores y temporizadores en la posición OFF (apagado). (El modelo 2352 no tiene temporizador).
3. Si la carga de la batería se hace dentro del vehículo, use los procedimientos de conexión delineados en la Sección F. Si se quita la batería del vehículo, siga la instrucción en la Sección D, paso 6 y la Sección G. Enchufe el cable de alimentación en el tomacorriente CA.
4. Ponga el conmutador de tasa de carga en la posición de carga deseada. Véase las Cartas de Tasa de Carga.
5. Cambie el temporizador de la posición OFF en el tiempo de carga deseado, de 30 a 135 minutos. (No hay temporizador en el Modelo PS-2352).

**NÓTESE:** Estos cargadores de baterías no son automáticos y pueden sobrecargar una batería si se les permite funcionar por períodos largos de tiempo. Vigile a menudo el proceso de cargar.

Su cargador también puede producir un ruido (zumbido) durante el proceso de cargar. Las laminaciones del transformador tienden a vibrar. Esto es normal... siga cargando la batería. El ruido puede continuar después de desconectar el cargador de la batería.

TAMAÑO / RÉGIMEN DE LA BATERÍA			TASA DE CARGA* / TIEMPO DE CARGA EN HORAS**					
			2 AMPERIOS	10 AMPERIOS	30 AMPERIOS	35 AMPERIOS	50 AMPERIOS	60 AMPERIOS
BATERÍAS PEQUEÑAS	Motocicleta, Tractor de Jardín, etc.	6 -12 AH	1.5 - 3					
		12 - 32 AH	3 - 8					
CARRO / CAMIÓN	200 - 315 CCA	40 - 60 RC	11 - 15	2.5 - 3	.75 - 1	.5 - .75	NR	NR
	315 - 550 CCA	60 - 85 RC	15 - 18	3 - 4	1 - 1.5	.75 - 1	.6 - 1	.5 - .63
	550 - 875 CCA	85 - 125 RC	18 - 25	4 - 5	1.5 - 1.7	1 - 1.5	1 - 1.3	.63 - .75
USO MARINO/ CICLAJE PROFUNDO		55 MC	15	4	NR	NR	NR	NR
		80 MC	19	5	2	1.75	NR	NR
		105 MC	23	6	2.5	2	NR	NR

\* Las tasas de carga se encuentran en el panel delantero.

\*\* Se basa en batería a 50% de plena carga.

AH Amperio Horas

NR No Recomendado

CCA Amperios de Encendido en Frío

RC Capacidad de Reserva

MC Capacidad Marina

### Instrucciones de Ensamblaje para el Wheel Charger (Cargador a Rueda)

**NÓTESE:** Hay que ensamblar el cargador antes de usarlo

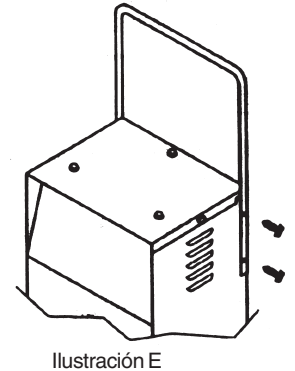
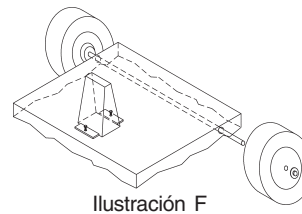
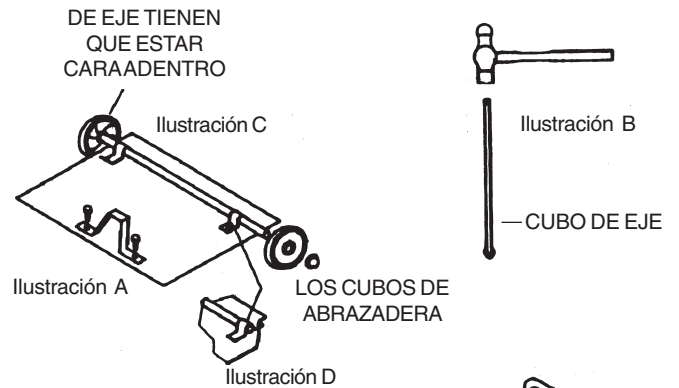
#### Piezas

- (2) tornillos 10-32
- (2) tornillos ¼-20
- (2) ruedas
- (2) cubos de eje
- (1) agarradera
- (1) pie de montaje
- (1) eje
- (2) abrazaderas de eje

#### Herramientas Necesarias

- Llave inglesa de 5/16"
- Llave inglesa de 3/8"
- Martillo
- Destornillador

1. Primero ponga el cargador de lado
2. Luego monte el pie de montaje ILUSTRACIÓN A con (2) tornillos ¼-20, o ILUSTRACIÓN F con (2) tornillos 10-32. Después, monte los (2) abrazaderas de eje con los (2) tornillos 10-32 (tal como se ve en la ILUSTRACIÓN D).
3. Luego golpee el eje firmemente dentro de un cubo de eje usando un martillo ILUSTRACIÓN B.
4. Deslice una rueda sobre el eje con el cubo cara adentro, tal como se ve en la ILUSTRACIÓN C.
5. Empuje el extremo libre del eje a través de una abrazadera de eje y siga deslizando hasta que salga por la otra abrazadera de eje.
6. Ponga el cargador del otro lado.
7. Deslice la segunda rueda y golpee el cubo sobre el extremo libre del eje.
8. Luego, enderece el cargador para que esté sobre su pie y sus ruedas.
9. Quite los (2) tornillos superiores de cada lado del cargador, alinee la agarradera e instale los tornillos de nuevo ILUSTRACIÓN E.



Si se presenta un problema, véase lo siguiente:

PROBLEMA	POSIBLE CAUSA	SOLUCIÓN
No hay lectura en el medidor (El Cable CA está desenchufado)	Las pinzas no hacen buena conexión.  El voltaje de la batería es muy baja  Se está usando tasa de carga a 2 amperios.	Mueva las pinzas adelante atrás para mejor conexión.  Enchufe la línea AC en el tomacorriente. El medidor debe ahora indicar.  Ninguna; el medidor no indicará aquí.
El cargador no enciende al estar debidamente conectado	El tomacorriente CA está muerto.  Mala conexión eléctrica.	Enchufe una lámpara para buscar voltaje.  Examine las conexiones, mueva las pinzas adelante atrás para mejor conexión.
El cargador produce chasquido	El disyuntor está ciclando  La batería es defectuosa  Batería bien descargada pero aparte de eso, buena batería  Conexiones invertidas a la batería	Quizás esté en posición incorrecta de conmutador.  Haga examinar la batería  Permita que se siga cargando hasta que la batería tenga oportunidad de recuperar lo suficiente para recibir una carga. Si es más de 20 minutos, deje de cargar y haga examinar la batería.  Apague el cargador y corrija las conexiones de los cables.

## GARANTÍA LIMITADA

SCHUMACHER ELECTRIC CORPORATION, 801 BUSINESS CENTER DRIVE, MOUNT PROSPECT, ILLINOIS 60056-2179 HACE ESTA GARANTÍA LIMITADA AL COMPRADOR ORIGINAL POR MENOR DE ESTE PRODUCTO. ESTA GARANTÍA LIMITADA NO ES TRANSFERIBLE.

Schumacher Electric Corporation garantiza este cargador de baterías por 3 años, y el transformador y los rectificadores por 5 años desde la fecha de compra al por menor contra materiales o fabricación defectuosos. Si tal defecto ocurre, la unidad será reparada o reemplazada a la opción del fabricante. Es la obligación del comprador de enviar la unidad, junto con evidencia de compra, al fabricante o a su representante autorizado, y cubrir los gastos de transporte y / o correo prepagados. Esta garantía limitada no es válida si el producto ha sido usado incorrectamente, sometido a manejo negligente, o reparado por cualquiera persona o entidad que no sea el fabricante o su

representante autorizado. El fabricante no hace ninguna garantía aparte de esta garantía limitada y expresamente excluye cualquier garantía implícita inclusive garantía por daños consecuenciales.

Esta es la única garantía limitada expresa y el fabricante ni asume ni autoriza a nadie a asumir o hacer ninguna otra obligación respecto al producto aparte de esta garantía limitada expresa. El fabricante no hace ninguna garantía de comerciabilidad ni de aptitud para el propósito de este producto y expresamente la excluye de esta garantía limitada. Algunos estados no permiten la exclusión o limitación de daños incidentales o consecuenciales o período de garantía implícita, de manera que las antedichas limitaciones o exclusiones quizás no se apliquen a Ud. "Esta garantía le concede derechos legales específicos, y Ud. puede tener otros derechos que varían de estado en estado."

**SÍRVASE TOMAR NOTA:** En la mayoría de los casos, un cargador "de reemplazo" es una unidad reacondicionada en la fábrica. El reemplazo gratis es aplicable únicamente dentro del período inicial de 3 años. Las unidades reacondicionadas en la fábrica están disponibles a precio bajo y fijo después de vencer la garantía de 3 años.



**Schumacher®**

801 Business Center Drive  
Mount Prospect, Illinois 60056-2179

Para Reparaciones bajo la Garantía, envíe el producto a:  
Schumacher Electric Corporation, Warranty Service Department  
1026 Thompson Avenue, Hoopston, IL 60942

Teléfono: 800-621-5485 (Horas: 7 a.m. – 4:30 p.m. hora central)

**NOTAS:**



## Free Manuals Download Website

<http://myh66.com>

<http://usermanuals.us>

<http://www.somanuals.com>

<http://www.4manuals.cc>

<http://www.manual-lib.com>

<http://www.404manual.com>

<http://www.luxmanual.com>

<http://aubethermostatmanual.com>

Golf course search by state

<http://golfingnear.com>

Email search by domain

<http://emailbydomain.com>

Auto manuals search

<http://auto.somanuals.com>

TV manuals search

<http://tv.somanuals.com>