

PRO-SERIES

INSTRUCTION MANUAL

For
Lead-Acid
Batteries

MANUAL OPERATION

Model: PS-620 2/6 Amp
PS-1025 2/10/50 Amp
For 12 Volt Batteries

–Save– Important Safety Instructions

Read instructions and rules for safe operation carefully.

Working in the vicinity of a lead-acid battery is dangerous. Batteries generate explosive gases during normal battery operation. For this reason, it is of utmost importance that each time before using your charger, you read this manual and follow the instructions exactly.

A.

GENERAL BATTERY SAFETY

- Before you use your battery charger, be sure to read all instructions and cautions printed on:
 - Battery Charger
 - Battery
 - Vehicle or unit using battery
- Use battery charger on LEAD-ACID type rechargeable batteries only, such as used in automobiles, trucks, tractors, airplanes, vans, RV's, trolling motors, etc. Charger is not intended to supply power to low-voltage electrical system other than in an automotive application.

WARNING: Do not use battery charger for charging dry-cell batteries that are commonly used with home appliances. These batteries may burst and cause injury to persons and damage to property.
- Use only attachments recommended or sold by manufacturer. Use of non-recommended attachments may result in fire, electric shock, or injury.
- When disconnecting the battery charger, pull by the plug, not by the cord. Pulling on the cord may cause damage to cord or plug.
- Locate battery power cord so it cannot be stepped on, tripped over, or subjected to damage or stress.
- Do not operate charger with damaged cord or plug. Have cord replaced immediately.
- Do not operate charger if it has received a sharp blow, been dropped, or otherwise damaged in any way. Take it to a qualified professional for inspection and repair.
- Do not disassemble charger. Take it to a qualified professional when service or repair is required. Incorrect reassembly may result in electric shock or fire.
- To reduce risk of electric shock, unplug charger from outlet before attempting any maintenance or cleaning.
- Do not use an extension cord unless absolutely necessary. Use of an improper extension cord could result in fire or electric shock. If an extension cord must be used, make sure that:
 - Pins on plug of extension cord are the same number, size, and shape as those of plug on charger.
 - Extension cord is properly wired and in good electrical condition.
 - Wire size is large enough for AC ampere rating of charger, as specified below:

Length of cord (feet):	25	50	100	150
AWG size of cord:	18	18	18	16
- Always charge battery in a well-ventilated area. **NEVER** operate in a closed-in or restricted area without adequate ventilation.

WARNING: Risk of explosive gas.
- Locate charger as far away from battery as DC charger cables permit.
- Do not expose charger to rain or snow.
- NEVER** charge a frozen battery. If battery fluid (electrolyte) is frozen, bring into a warm area to thaw before charging.
- NEVER** allow battery acid to drip on charger when reading specific gravity or filling battery.
- NEVER** set a battery on top of charger.
- NEVER** place charger directly above battery being charged. Gases from battery will corrode and damage charger.
- NEVER** touch the battery clamps together when the charger is energized.
- NEVER** crank engine with PS-620 charger attached to battery.

B. PERSONAL PRECAUTIONS AND SAFETY

- WARNING:** Wear complete eye protection and protective clothing when working with lead-acid batteries.
- Make sure someone is within range of your voice or close enough to come to your aid when you work with or near a lead-acid battery.
- Have plenty of fresh water and soap nearby for use if battery acid contacts skin, clothing or eyes. If battery acid contacts skin or clothing, wash immediately with soap and water.
- Avoid touching your eyes while working with a battery. Acid particles (corrosion) may get into your eyes! If acid enters your eye, immediately flood eye with running cold water for at least 10 minutes. Get medical attention immediately.
- Remove all personal metal items such as rings, bracelets, necklaces, and watches when working with a lead-acid battery. A lead-acid battery can produce a short-circuit current high enough to weld a ring (or the like) to metal, causing a severe burn.
- Take care not to drop a metal tool or other metal onto the battery. Metal may cause sparking or short-circuit the battery or another electrical device. Sparking may cause an explosion.
- Always operate battery charger in an open, well-ventilated area.
- NEVER** smoke or allow a spark or flame in the vicinity of the battery or engine. Batteries generate explosive gases!

C. GROUND AND AC POWER CORD CONNECTIONS

Charger should be grounded to reduce risk of electric shock. Charger is equipped with an electric cord having an equipment-grounding conductor and a grounding plug. The plug must be plugged into an outlet that is properly installed and grounded in accordance with all local codes and ordinances.

This battery charger is designed for use on a nominal 120 Volt circuit and has a grounded plug that looks like the plug illustrated in FIGURE 1 (A). This plug should be used in a grounded outlet. The plug pins must fit the receptacle (outlet).

ADAPTER: A temporary adapter, as shown in FIGURE 1 (B) and (C), may be used to connect the charger plug to a two-pole receptacle (outlet) as shown FIGURE 1 (B).

NOTE: Adapter use not allowed in Canada.

NOTE: The temporary adapter should be used only until a properly grounded outlet can be installed by a qualified electrician.

DANGER: NEVER alter the AC cord or plug provided. If it will not fit outlet, have proper outlet installed by a qualified electrician. Improper connection may result in an electric shock.

DANGER: Before using an adapter as illustrated, be certain that center screw of outlet plate is grounded. The green-colored rigid ear or lug extending from adapter must be connected to a properly grounded outlet. Make certain it is grounded. If necessary, replace original outlet cover plate screw with a longer screw that will secure adapter ear or lug to outlet cover plate and make ground connection to grounded outlet.

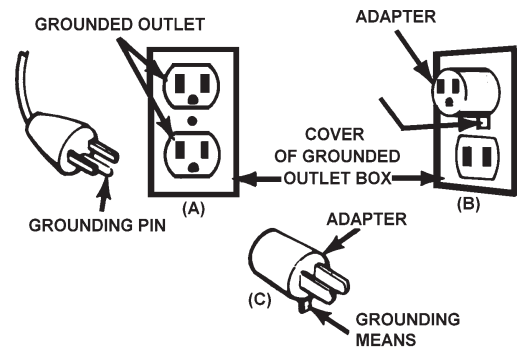


FIGURE 1: GROUNDING METHODS

D. PREPARING TO CHARGE

- Make sure you have a 12 Volt lead-acid battery.
- Clean battery terminals. Take care to keep corrosion from coming in contact with your eyes.
- If required, add distilled water in each cell until battery acid reaches levels specified by battery manufacturer. This helps purge excessive gas from cells. Do not overfill. For a battery without cell caps, carefully follow manufacturer's recharging instructions.
- Study all battery manufacturer's specific precautions, such as removing or not removing cell caps while charging, and recommended rates of charge.
- Be sure area around battery is well ventilated while battery is being charged. Gas can be forcefully blown away by using a piece of cardboard or other non-metallic material as a fan.
- If necessary to remove battery from vehicle to charge, always remove grounded terminal from battery first. Make sure all accessories in the vehicle are off, so as not to cause an arc.
- A marine (boat) battery must be removed and charged on shore. To charge it on board requires equipment specially designed for marine use.
- Select the proper charge rate. See Figure 2, BATTERY CHARGER SELECTION GUIDE.

Ampere Rating	Estimated Charging Hours	Recommended Battery Uses
2 Amp	3-8	Motorcycle, snowmobile, lawnmower, car (trickle charge), truck, RV, marine
6 Amp	6-8	Car, truck, RV, trolling outboard, tractor farm equipment
10 Amp	3-5	Car, truck, RV, trolling outboard, tractor farm equipment
50 Amp	7 sec. on 240 sec. off	Engine crank assist

FIGURE 2: BATTERY CHARGER SELECTION GUIDE

E.

BATTERY CHARGER CONTROLS

CHARGE RATE AND VOLTAGE SWITCH SETTINGS

NOTE: It is important to determine the battery type before charging. (See BATTERY TYPES)

WARNING: This charger will continue to charge even after the battery is charged.

This is a manual (non-automatic) battery charger. A manual charger will continue to charge and will not shut off. You must keep a visual check on the ammeter to determine when the battery is charged.

WARNING: Overcharging will damage the battery.

2 Amp Charge Rate – All Models

For small 12 volt batteries (31 ampere hours or less) use only the 2 amp charge rate. The smaller the battery, the greater the risk of harming it by using a higher charge rate. The 2 amp charge rate may also be used to warm or trickle charge larger batteries.

6 Amp Charge Rate (PS-620 Only)

Use the 6 Amp charge rate for faster charging of larger 12 volt batteries.

10 Amp Charge Rate (PS-1025 Only)

Use the 10 amp charge rate for faster charging of larger 12 volt batteries.

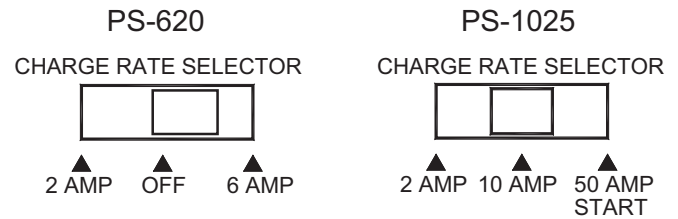


FIGURE 3: BATTERY CHARGE RATE SELECTORS

50 Amp Engine Start (PS-1025 Only)

Select "50 Amp Start" to assist in engine cranking of 12 volt systems. DO NOT use on 6 volt systems. Use the 50 amp engine start position for cranking automobiles or light trucks. Do not crank engine if battery is not in the vehicle. This will reduce the chance of damaging sensitive electronic equipment in the vehicle.

IMPORTANT: Very low/depleted batteries may need to be charged at 10 Amps for 15–20 minutes before switching to Engine Start.

F.

READING AMMETER

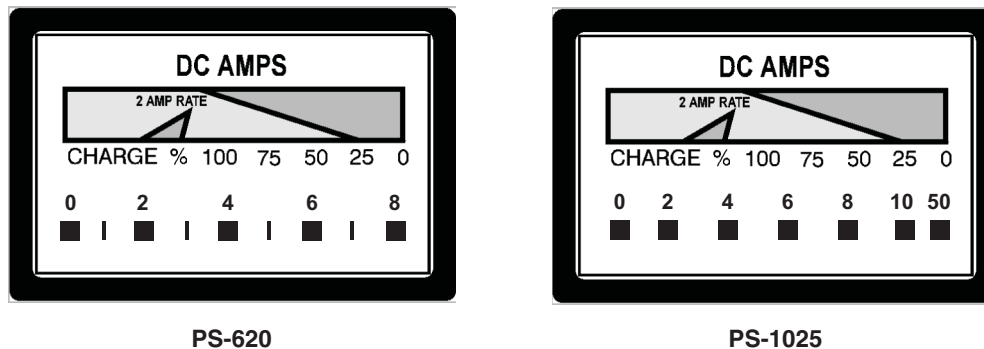


FIGURE 4: METERS

AMMETER (See FIGURE 4)

The ammeter gives a reading of the current drawn by the battery from the charger. When a fully discharged battery is connected to the charger, the ammeter will read the maximum output rating of the charger, 2, 6, or 10 Amps, depending on the charge rate selected. The charge current will gradually taper down as the battery approaches full charge. As the charge current tapers down, the ammeter needle will move left.

PERCENT OF CHARGE

The percent of charge scale is intended as a visual aid to help simplify reading the state of charge. It is scaled for use with the 6 or 10 amp charge rate only. For the 2 amp charge rate, use the red triangle. The percent of charge is based on current drawn by the battery. For this reason, accuracy will vary with the size and

battery type. Typically a 28 ampere hour gel cell battery will draw less current at the end of charge than a 140 ampere hour wet cell battery. This means that the indication for a fully charged large battery may be slightly less than 100%.

For the 2 amp charge rate, a red triangle has been provided within the green area of the meter scale. It's accuracy has been calibrated for use with small batteries. As a battery takes on a charge, it draws less current from the charger. Correspondingly less of the red area will fall under the meter needle.

G.

CIRCUIT BREAKER

This battery charger is equipped with a self-resetting circuit breaker. This device protects the charger from temporary overloads. In the event of an overload, the circuit breaker will trip open. After a short cooling off period, it will reset automatically. This process is known as cycling and can be recognized by an audible clicking sound.

NOTE: Clicking sound is normal. Wait until charger automatically resets itself.

CAUTION: Persistent clicking (more than 30 minutes) may indicate reverse connection or shorted battery cells. (See TROUBLE SHOOTING.)

H.

BATTERY TYPES

Three basic types of lead-acid batteries can be given a charge with this charger: (1) Conventional and Low Maintenance, (2) Maintenance-Free, (3) Deep-Cycle.

Conventional and Low Maintenance Batteries. These are the antimony/lead batteries. Conventional/low maintenance batteries require periodic addition of water to the acid solution (electrolyte). Additional water may be added by removing the filler caps located on the top of the battery.

When antimony is known to be one of the materials used in the battery's construction, that battery is a low maintenance/conventional type.

CAUTION: Some low maintenance batteries have a relatively smooth top without any apparent battery filler caps. If, however, the battery manufacturer/distributor recommends periodic check-

ing of electrolyte level and provides access to the battery for water additions, the battery is probably a low maintenance/conventional type.

Maintenance-free Batteries. These are calcium/lead batteries and normally do not require water additions. Therefore, filler caps have been removed from the battery surface. These batteries will have a smooth or sealed appearance.

Deep-cycle Batteries. These heavy-duty batteries are used in boats, construction equipment, sump pumps, etc. They are normally marked **Deep-cycle** on the outside of the case.

I.

OPERATING INSTRUCTIONS: CHARGING BATTERY IN VEHICLE

When charging battery in the vehicle, take care to determine the battery type and which post is grounded. To reduce risk of a spark near battery, follow these steps when battery is installed in vehicle. **WARNING: A spark near battery may cause battery explosion.**

With the PS-620 charger in the OFF position or the PS-1025 charger in 2 Amp position:

1. Position AC power cord and DC charging cords to reduce risk of damage by hood, door, or moving engine parts.
2. Stay clear of fan blades, belts, pulleys, and other parts that can cause injury.
3. Check polarity of battery posts. Battery case will be marked by each post: **POSITIVE (POS, P, +)** and **NEGATIVE (NEG, N, -)**. **NOTE:** The positive battery post usually has a larger diameter than the negative post.
4. Determine which post of battery is ground (connected to chassis).

NOTE: The negative post is normally grounded.

NEGATIVE GROUNDED POST

- 5A. For negative-grounded vehicle, connect POSITIVE (RED) clamp from battery charger to POSITIVE (POS, P, +) ungrounded post of battery. Connect NEGATIVE (BLACK) clamp to vehicle chassis or engine block, away from battery. Connect to a heavy gauge unpainted metal part of the frame or engine block.

WARNING: Do not connect clamp to carburetor, fuel lines, or sheet-metal body parts. **NOTE:** Attach clamps to battery post and twist or rock back and forth several times to make a good connection. This tends to keep clamps from slipping off terminals and helps to reduce risk of sparking. FIGURE 6 shows connections for a negative-grounded battery.

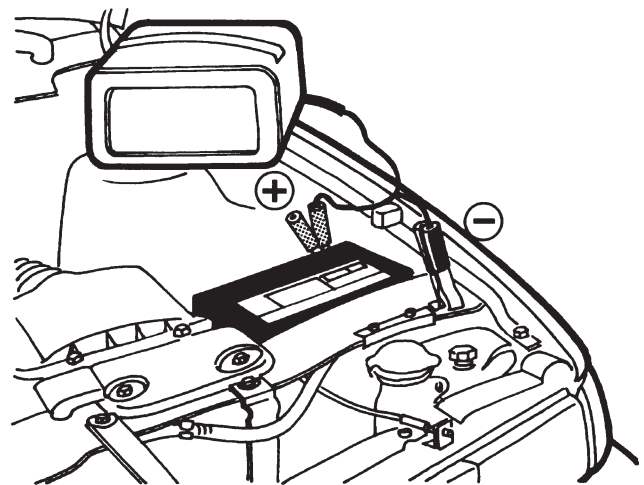


FIGURE 6: CONNECTION TO NEGATIVE GROUNDED BATTERY

POSITIVE GROUNDED POST

5B. For positive-grounded vehicle, connect NEGATIVE (BLACK) clamp from battery charger to NEGATIVE (NEG, N, -) ungrounded post of battery. Connect POSITIVE (RED) clamp to vehicle chassis or engine block away from battery. Connect to a heavy gauge unpainted metal part of the frame or engine block.

WARNING: Do not connect clamp to carburetor, fuel lines, or sheet-metal body parts. **NOTE:** Attach clamps to battery post and twist or rock back and forth several times to make a good connection. This tends to keep clamps from slipping off terminals and helps to reduce risk of sparking.

6. Plug charger AC cord into a grounded 120 volt outlet.

WARNING: Be sure area around battery is well ventilated while battery is being charged. Gas can be forcefully blown away by using a piece of cardboard or other non-metallic material as a fan.

7. Select amperage: See Controls Section.
8. Continue charging battery until charger's ammeter needle shows half the rate of charge. (See FIGURE 4)
9. When the battery is fully charged, move the switch to OFF for the PS-620 model. For the PS-1025 model, move the switch to the 2 Amp position. Then, unplug your specific charger from AC power source.
10. Remove charger clamps from (1) chassis and (2) battery post, in that order.
11. Clean and store battery charger.

J. OPERATING INSTRUCTIONS: CHARGING BATTERY OUT OF VEHICLE

When charging a battery out of the vehicle, take care to determine the battery type. To reduce risk of a spark near the battery, follow these steps when battery is outside vehicle. **WARNING:** A spark near the battery may cause battery explosion. **WARNING:** When removing battery from vehicle or boat, disconnect grounded post first. When disconnecting, make sure all accessories are off, so as not to cause an arc. **NOTE:** A marine (boat) battery must be removed and charged on shore. To charge on board requires special equipment designed for marine use. **WARNING:** When reinstalling the battery, attach the grounded post first—making sure model PS-620 has its switch in the OFF position or that model PS-1025 has its switch in the 2 Amp position.

1. Check polarity of battery posts. Battery case will be marked by each post: POSITIVE (POS, P, +) and NEGATIVE (NEG, N, -). **NOTE:** The positive battery post usually has a larger diameter than the negative post.
2. Attach a 24" long (or longer) 6-gauge (AWG) insulated battery cable to NEGATIVE (NEG, N, -) battery post. The 24" cable is necessary to avoid the possibility of a spark over the top of the battery. 6-gauge cable is recommended because it is readily available at your auto parts store.
3. Connect POSITIVE (RED) charger clamp to POSITIVE (POS, P, +) battery post. Rock clamp back and forth to make good connection.
4. Position yourself and free end of 24" cable as far away from battery as possible. Then connect NEGATIVE (BLACK) charger clamp to free end of cable.

WARNING: Do not face battery when making final connection. Rock clamp back and forth to make a good connection. FIGURE 7 shows the connection.

5. Plug charger AC cord into a 120 volt grounded outlet. **WARNING:** Be sure area around battery is well ventilated while battery is being charged. Gas can be forcefully blown away by using a piece of cardboard or other non-metallic material as a fan.
6. Select amperage: See Controls Section.
7. Continue charging battery until charger's ammeter needle shows half the rate of charge. (See FIGURE 4.)

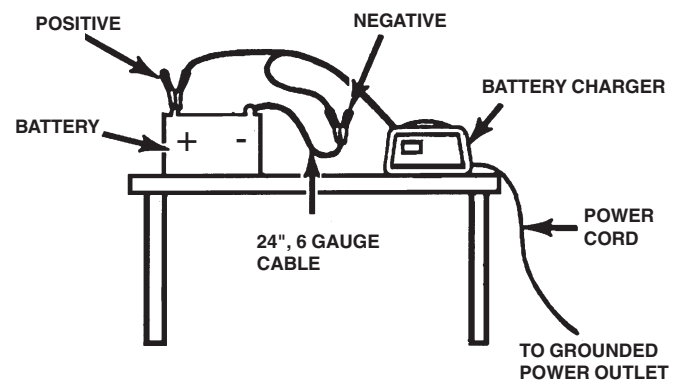


FIGURE 7: CONNECT NEGATIVE BATTERY CLIP TO 24" CABLE END

8. When the battery is fully charged, move the switch on the PS-620 to the OFF position. For model PS-1025, move the switch to the 2 Amp position. Then, unplug the charger from the AC power source.
9. When battery is fully charged and the charger is unplugged (1) disconnect negative charger clamp from 24" cable. (2) remove positive charger clamp from positive battery post.
10. Clean and store battery charger.

K. MAINTENANCE/CLEANING INSTRUCTIONS

Very little maintenance is required for the battery charger. Follow common sense in wiping the charger clean and store in a clean, dry area.

1. After use, wipe all battery corrosion and other dirt or oil from clamp, cords, and the charger case. Use a dry cloth.
2. Coil charger cords to prevent damage.
3. Have any cracked or frayed cords replaced by a qualified professional.
4. Store battery charger in a clean, dry area.

L.

TROUBLESHOOTING

If a problem does occur, check the following:

PROBLEM	POSSIBLE CAUSE	SOLUTION
No meter reading.	Charger is not plugged in. Connections are reversed. Poor electrical connection. AC outlet is dead. Battery is defective and will not accept charge.	Plug in. With charger unplugged, reverse clamps and reconnect. (Rock back and forth to bite in.) Clean clamps and battery posts and reconnect. (Rock back and forth to bite in.) Plug in a lamp or other appliance to check for voltage. Have battery checked.
Charger will not taper down.	Battery is defective and will not accept a charge.	Have battery checked.
A continuous, high meter reading.	Battery is defective and will not accept a charge.	Have battery checked.
Charging current is less than full output rating of charger.	Battery is partially charged. Battery is defective and will not accept a full charge. AC power supply is low.	Continue charging. Have battery checked. Plug charger into another grounded AC outlet.
Ammeter needle moves to extreme right, remains a short time, then returns to zero, accompanied by a clicking sound.	Battery is severely discharged (but otherwise good). Battery is defective and will not accept a charge. Charger is cycling after circuit breaker overload.	Allow charging to continue until battery has recovered sufficiently to take a charge. (Circuit breaker will continue to cycle and needle will swing back and forth until battery has recovered.) Have battery checked. Wait until charger automatically resets itself (DO NOT RETURN FOR SERVICE).

LIMITED WARRANTY

SCHUMACHER ELECTRIC CORPORATION, 801 BUSINESS CENTER DRIVE, MOUNT PROSPECT, ILLINOIS, 60056-2179 MAKES THIS LIMITED WARRANTY TO THE ORIGINAL PURCHASER AT RETAIL OF THIS PRODUCT. THIS LIMITED WARRANTY IS NOT TRANSFERABLE.

Schumacher Electric Corporation warrants this battery charger for 2 years from date of purchase at retail against defective material or workmanship. If such should occur, the unit will be repaired or replaced at the option of the manufacturer. It is the obligation of the purchaser to forward the unit together with proof of purchase, transportation and / or mailing charges prepaid to the manufacturer or its authorized representative. This limited warranty is void if the product is misused, subjected to careless handling, or repaired by anyone other than the factory or other authorized factory repre-

PLEASE NOTE: In most instances, a "replacement" charger is a factory-reconditioned unit. Free replacement applies only within the initial 2-year period. Factory-reconditioned units are available at a low, fixed cost after the 2-year warranty expires.

sentative. The manufacturer makes no warranty other than this limited warranty and expressly excludes any implied warranty including any warranty for consequential damages.

This is the only express limited warranty and the manufacturer neither assumes nor authorizes anyone to assume or make any other obligation towards the product other than this express limited warranty. The manufacturer makes no warranty of merchantability or fitness for purpose of this product and expressly excludes such from this limited warranty. Some states do not allow the exclusion or limitation of incidental or consequential damages or length of implied warranty so the above limitations or exclusions may not apply to you. "This warranty gives you specific legal rights, and you may have other rights which vary from state to state."



**801 Business Center Drive
Mount Prospect, Illinois 60056-2179**

Send Warranty Product Repairs to:
Schumacher Electric Corporation, Warranty Service Department
1025 Thompson Avenue, Hoopston, IL 60942
Customer Service: 800-621-5485 (Hours: 7 a.m. – 4:30 p.m. CST)

NOTES

PRO-SERIES

MANUAL DEL USUARIO

Cargadores
de baterías
de 12 Voltios

MODELOS MANUALES

Modelo: PS-620 2/6 Amp
PS-1025 2/10/50 Amp

–No destruya este manual– Instrucciones Importantes De Seguridad

Lea con detenimiento estas instrucciones y reglas para utilizarlo con seguridad.

Trabajar cerca de baterías de plomo-ácido es peligroso. Las baterías generan gases explosivos durante su operación normal. Por esta razón, es de gran importancia que cada vez que utilice su cargador, lea este manual y siga sus instrucciones exactamente.

A. SEGURIDAD EN GENERAL CON BATERÍAS

1. Antes de utilizar el cargador de baterías, asegúrese de leer todas las instrucciones y precauciones impresas en:

- El cargador de baterías
- La batería
- El vehículo o unidad que usa la batería

2. Use el cargador de baterías solamente en baterías recargables de PLOMO-ÁCIDO, tales como las usadas en automóviles, camiones, tractores, aeroplanos, furgonetas, motores estacionarios de RVs, etc. El cargador no se ha diseñado para alimentar sistemas eléctricos de bajo voltaje, excepto en aplicaciones automovilísticas.

ADVERTENCIA: No utilice el cargador de baterías para cargar pilas secas como las que se usan en artefactos domésticos. Dichas baterías pueden explotar y causar lesiones a las personas, y daños a su propiedad.

3. Utilice solamente los accesorios recomendados por el fabricante. Utilizar accesorios no recomendados puede ser causa de incendios, corto eléctrico o lesiones.
4. Cuando se desconecta el cargador de baterías, tire del enchufe, no del cable. El tirar del cable puede causar daños al cable o al enchufe.
5. Coloque el cable del cargador en forma que no se le pueda pisar, tropezarse con él, o causarle daños o estiramiento.
6. No use el cargador si su cable o enchufe están dañados. Haga reemplazar el cable inmediatamente.
7. No use el cargador si ha recibido un golpe fuerte, se ha caído o recibido cualquier tipo de daño. Llévelo a un profesional calificado para su inspección y reparación.
8. Nunca desarme el cargador. Llévelo a un profesional calificado cuando necesite servicios o reparación. El ensamblaje incorrecto puede causar un choque eléctrico o incendios.
9. Para reducir el riesgo de un choque eléctrico, desenchufe el cargador del tomacorriente antes de intentar darle mantenimiento o limpieza.
10. No utilice un cable de extensión a menos que sea absolutamente necesario. El utilizar un cable de extensión incorrecto puede ser causa de incendios o corto eléctrico. Si se debe utilizar un cable de extensión, asegúrese de que:

- Las clavijas del enchufe del cable de extensión sean del mismo número, tamaño y forma que las del enchufe del cargador.
- El cable de extensión esté correctamente cableado y en buenas condiciones eléctricas.
- El calibre del alambre es suficientemente grande para el amperaje de CA (corriente alterna, "AC" en inglés) del cargador, como se especifica a continuación:

Largo del cordón	Tamaño AWG del cordón
25 pies	18
50 pies	18
100 pies	18
150 pies	16

11. Siempre cargue las baterías en un área bien ventilada. **NUNCA** trabaje en una zona cerrada o pequeña sin ventilación adecuada.
ADVERTENCIA: Peligro de gases explosivos.
12. Coloque el cargador tan lejos de la batería y el cargador de CC (corriente continua, "DC" en inglés) como permitan los cables.
13. No exponga el cargador a la lluvia o la nieve.
14. **NUNCA** cargue una batería que está congelada. Si el líquido de la batería (electrolito) está congelado, lleve la batería a un lugar templado para descongelarlo antes de cargarla.
15. **NUNCA** deje caer el ácido de la batería sobre el cargador mientras verifica la gravedad específica o llena la batería.
16. **NUNCA** asiente la batería sobre el cargador.
17. **NUNCA** coloque el cargador directamente sobre la batería que se está cargando. Los gases de la batería corroerán y dañarán al cargador.
18. **NUNCA** junte las pinzas de batería cuando el cargador está funcionando.
19. **NUNCA** arranque el motor cuando el cargador PS-620 está conectado a la batería.

B. PRECAUCIONES Y SEGURIDAD PERSONAL

1. **ADVERTENCIA:** Use protección total para los ojos y protección para la ropa cuando trabaje con baterías de plomo-ácido.
2. Asegúrese que hay alguien que lo pueda oír o suficientemente cerca para venir en su ayuda cuando trabaja con o cerca de una batería de plomo-ácido.
3. Tenga cerca abundante agua fresca y jabón para usar si el ácido de la batería entra en contacto con la piel, la ropa o los ojos. Si el ácido de la batería entra en contacto con la piel o la ropa, lávese inmediatamente con agua y jabón.
4. Evite tocarse los ojos mientras trabaja con una batería. ¡Partículas del ácido (corrosión) pueden entrar a los ojos! Si entra el ácido a los ojos, lávelos inmediatamente con abundante agua fría por 10 minutos por lo menos. Y obtenga atención médica inmediatamente.

5. Para trabajar con una batería de plomo-ácido quítese todo objeto de metal como anillos, collares y relojes. Una batería de plomo-ácido puede causar un cortocircuito de suficiente poder para derretir un anillo (o algo similar) de metal, y causar una quemadura grave.
6. Cuidado de no dejar caer una herramienta u otro objeto de metal en la batería. El metal puede causar chispas o cortocircuito de la batería u otro dispositivo eléctrico. Las chispas pueden causar una explosión.
7. Siempre utilice el cargador de baterías en un área abierta y bien ventilada.
8. **NUNCA** se debe fumar ni debe haber chispas o llamas cerca de la batería o el motor. ¡Las baterías producen gases explosivos!

C. CONEXIONES DE TIERRA Y CORRIENTE ELÉCTRICA DEL CABLE DE ALIMENTACIÓN

El cargador debe conectarse a tierra para reducir el riesgo de un corto eléctrico. El cargador viene con un cable eléctrico con conductor del equipo a tierra, y un enchufe para conexión a tierra. El enchufe se debe enchufar a un tomacorriente debidamente instalado y con tierra, de acuerdo con todos los códigos y ordenanzas locales.

Este cargador de batería es diseñado para uso en un circuito de 120 voltios nominales, y tiene un enchufe para conexión a tierra como se ve en la ILUSTRACIÓN 1 (A). Este enchufe es para usarse en un tomacorriente con conexión a tierra. Las clavijas del enchufe deben entrar en el tomacorriente.

ADAPTADOR: Un adaptador temporal, mostrado en la ILUSTRACIÓN 1 (B) y (C) se puede usar para conectar el cargador a un tomacorriente de dos polos, como la ILUSTRACIÓN 1 (B).

NOTA: El uso del adaptador es prohibido en Canadá.

NOTA: El adaptador temporal se debe usar solamente hasta que un electricista calificado pueda instalar un tomacorriente debidamente conectado a tierra.

PELIGRO: NUNCA haga alteraciones al cable o al enchufe proporcionado. Si no entra en el tomacorriente, haga que un electricista calificado instale uno apropiado. Una conexión indebida puede causar un choque eléctrico.

PELIGRO: Antes de usar un adaptador como el ilustrado, asegúrese que el tornillo de la tapa del tomacorriente está conectado a tierra. La oreja o

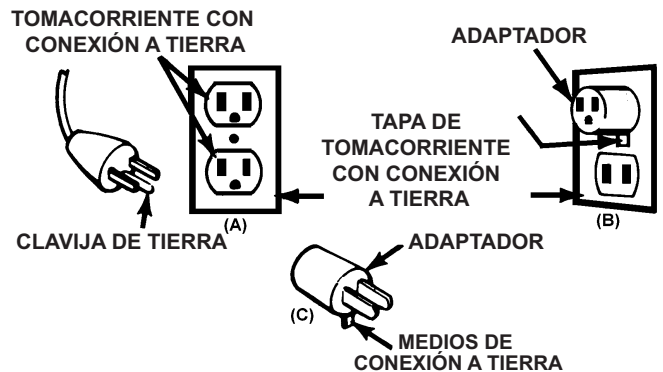


ILUSTRACIÓN 1: MÉTODOS PARA CONECTAR A TIERRA

brida rígida de color verde que nace del adaptador, se debe conectar a un tomacorriente conectado a tierra. Asegúrese que esté conectado a tierra. Si fuera necesario, reemplace el tornillo original de la tapa del tomacorriente con uno más largo que asegurará la oreja o brida del adaptador a la tapa del tomacorriente y hará conexión a tierra.

D. PARA CARGAR LA BATERÍA

1. Asegúrese que la batería es de plomo-ácido de 12 voltios y fije así el conmutador del cargador.
2. Limpie las terminales de la batería. Cuide de que no entre corrosión a sus ojos.
3. Si es necesario, añada agua destilada en cada celda de la batería hasta que el nivel del ácido llegue al nivel especificado por el fabricante de la batería. Esto ayuda a expulsar gases excesivos de las celdas. No sobrepase dichos niveles. Para baterías sin tapas de celdas, para recargarla siga cuidadosamente las instrucciones del fabricante.
4. Estudie todas las precauciones específicas del fabricante, tales como el quitar o no quitar las tapas de celdas mientras se carga, y las cargas recomendadas.
5. Asegúrese que el área alrededor de la batería esté bien ventilada mientras se carga la batería. Se puede expulsar los gases usando como abanico una pieza de cartón u otro material no metálico
6. Si es necesario sacar la batería del vehículo para cargarla, siempre quite primero el terminal de tierra. Asegúrese que todos los accesorios del vehículo estén apagados para que no se produzca un arco.
7. Una batería marina (de botes) se debe sacar y cargarse en tierra.

Para cargarla a bordo se requiere equipos especialmente diseñados para uso marino.

8. Seleccione la carga apropiada y fije el voltaje. Véase la ilustración 2, GUÍA DE SELECCIÓN DE CARGADOR DE BATERÍAS.

ILUSTRACIÓN 2: GUÍA DE SELECCIÓN DE CARGADOR

Porcentaje en Amperios	Carga Horas	Usos recomendados para la batería
2 Amp	3-8	Motocicleta, motonieves, cortadora de césped, automóvil (carga lenta), camión, RV, marinos
6 Amp	6-8	Automóvil, camión, RV, fuera de borda estacionario, tractor y equipos de granjas
10 Amp	3-5	Automóvil, camión, RV, fuera de borda estacionario, tractor y equipo de granjas
50 Amp	Prendido 7 segundos Apagado 240 segundos	Ayuda de arranque para motores

E. CONTROLES DEL CARGADOR DE BATERÍAS

PORCENTAJE DE CARGA Y FIJACIÓN DEL SELECTOR DE VOLTAJE

NOTA: Antes de cargar es importante determinar el tipo de la batería. (Véase TIPOS DE BATERÍAS)

ADVERTENCIA: Este cargador continuará cargando aún después que la batería ya está cargada.

Este es un cargador de baterías manual (no automático). Un cargador manual continuará cargando y no se apagará. Usted debe verificar visualmente el amperímetro para determinar cuándo la batería está cargada.

ADVERTENCIA: La sobrecarga dañará la batería.

Porcentaje de carga de 2 amperios – Todos los modelos

Para baterías pequeñas de 12 voltios (31 amperios-hora o menos) use el porcentaje de carga de 2 Amp. Cuanto más pequeña la batería, mayor es el riesgo de dañarla si se usa un porcentaje mayor de carga. El porcentaje de 2 amperios también se puede utilizar para calentar o dar carga lenta a baterías más grandes.

Porcentaje de carga de 6 Amp. (Sólo la PS-620)

Use el porcentaje de carga de 6 amperios para una carga más rápida de baterías de 12 voltios.

Tasa de carga de 10 Amp. (Sólo la PS-1025)

Use el porcentaje de carga de 10 Amp. para cargar más rápido baterías de 12 voltios más grandes.

“Start” de 50 Amp. (Sólo la PS-1025)

Seleccione el “Arranque de motores” (*Engine Start*) de 50 Amp. para ayudar a arrancar motores en sistemas de 12 V. **NO LO USE** en sistemas de 6 voltios. Utilice la posición “Engine Start” de 50 Amp. para arrancar automóviles o camiones livianos. No use el “Engine Start” si la batería no se encuentra en el vehículo. Esto reducirá el riesgo de dañar equipos electrónicos sensibles en el vehículo.

MUY IMPORTANTE: Las baterías bajas o débiles necesitarán ser cargadas a una proporción de 10 Amperios por un período de 15 a 20 minutos antes de ser puestas en la posición de Arranque de Motores (Engine Start).

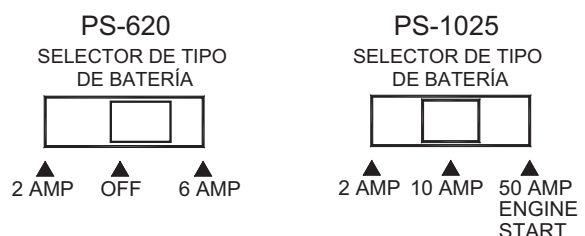
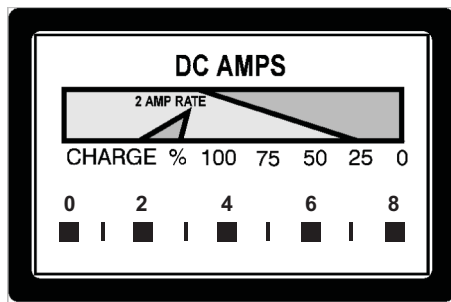
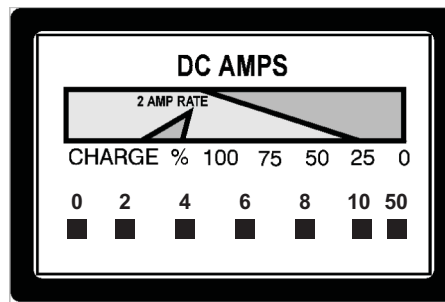


ILUSTRACIÓN 3: SELECCIÓN DE CARGA DE BATERÍAS



PS-620



PS-1025

ILUSTRACIÓN 4: MEDIDORES

AMPERÍMETRO (Véase la ILUSTRACIÓN 4)

El amperímetro proporciona lecturas de amperios que la batería recibe del cargador. Cuando se conecta al cargador una batería totalmente descargada, el amperímetro mostrará la proporción de salida máxima del cargador, 2, 6, ó 10 amperios, dependiendo de lo que se haya seleccionado. La corriente de carga se reducirá gradualmente a medida que la batería se acerca a la carga completa. Al bajar la corriente de carga, la aguja del amperímetro se moverá hacia la izquierda.

PORCENTAJE DE CARGA

La escala de porcentaje de carga es una ayuda visual para simplificar la lectura del estado de la carga. La escala sólo es para usarse con los porcentajes de carga de 6 ó 10 amperios. Para el porcentaje de carga con

2 amperios, use el triángulo rojo. El porcentaje de carga se basa en la corriente tomada por la batería. Por esta razón, la exactitud variará con el tamaño y el tipo de la batería. Típicamente, una batería de celdas de 28 amperios-hora absorberá menos corriente al final de la carga, que una batería de celdas húmedas de 140 amperios-hora. Esto significa que la indicación de carga completa de una batería grande, puede ser menos del 100%.

Para el porcentaje de carga de 2 Amp., se ha previsto un triángulo rojo dentro del área verde del medidor. Se ha calibrado su exactitud para su uso con baterías pequeñas. A medida que la batería acepta la carga, toma menos corriente del cargador. Por lo tanto, menos del área roja caerá bajo la aguja del medidor.

INTERRUPTOR AUTOMÁTICO

Este cargador de baterías está equipado con un interruptor de reinicio automático. Este dispositivo protege al cargador contra sobrecargas eventuales. En el evento de una sobrecarga, el interruptor se abrirá, y luego de un corto período de enfriamiento se cerrará automáticamente. Este proceso se conoce como reciclaje y se puede reconocer por sus sonidos intermitentes.

NOTA: Los sonidos intermitentes son normales. Espere hasta que el cargador vuelva a arrancar automáticamente.

PRECAUCIÓN: Sonidos intermitentes que persisten (más de 30 minutos) podrían indicar una conexión a la inversa o cortocircuito de las celdas. (Véase RESOLUCIÓN DE PROBLEMAS)

TIPOS DE BATERÍAS

Tres tipos básicos de baterías de plomo-ácido que se pueden cargar con este cargador: (1) Baterías convencionales o de bajo mantenimiento (*Low Maintenance*), (2) que no requieren mantenimiento (*Maintenance Free*), y (3) *Deep Cycle*.

Baterías convencionales y de bajo mantenimiento. Estas son baterías de antimonio-plomo. Las baterías convencionales y las de bajo mantenimiento requieren añadir agua periódicamente a la solución de ácido (electrolito). Se puede añadir agua quitando las tapas de celda de la parte superior de la batería.

Cuando se sabe que uno de los materiales de fabricación de la batería es antimonio, la batería es convencional o de bajo mantenimiento.

PRECAUCIÓN: Algunas baterías de bajo mantenimiento tienen una superficie relativamente plana sin tapas de celda aparentes. Pero, si el fabricante o distribuidor de la batería recomienda verificar el nivel del

electrolito periódicamente, y hay acceso a la batería para la adición de agua, la batería probablemente es del tipo de bajo mantenimiento o convencional.

Baterías que no requieren mantenimiento Éstas son baterías de calcio-plomo y normalmente no requieren adición de agua. Por lo tanto, se han eliminado las tapas de celda de la superficie de la batería. Estas baterías tienen una apariencia plana y sellada.

Baterías tipo "Deep Cycle". Estas baterías para trabajos pesados se usan en botes, equipos de construcción, bombas bajo tierra, etc. Normalmente el exterior de la caja lleva inscrito **DEEP CYCLE**.

I. INSTRUCCIONES DE OPERACIÓN CÓMO CARGAR UNA BATERÍA INSTALADA EN EL VEHÍCULO

Para cargar la batería en el vehículo, determine el tipo de batería y cuál de los terminales está conectado a tierra. Para reducir el riesgo de chispas cerca de la batería, siga los siguientes pasos cuando la batería está instalada en el vehículo. **ADVERTENCIA: Una chispa cerca de la batería puede causar la explosión de esta.**

1. Coloque los cables de CA y CC del cargador en tal posición que evite dañar el capó de la puerta o partes móviles del motor.
2. Manténgase alejado de las paletas del ventilador, correas, poleas y otras partes que puedan causar lesiones.
3. Verifique la polaridad de los terminales de la batería. La caja de la batería está marcada cerca de los terminales. **POSITIVO (POS, P, o +) y NEGATIVO (NEG, N, o -)** **NOTA:** Usualmente el terminal positivo de la batería es de mayor diámetro que el negativo.
4. Determine cuál es el terminal negativo de la batería (está conectado al chasis).

NOTA: El terminal negativo está conectado a tierra.

TERMINAL NEGATIVO A TIERRA

5A Para vehículos con negativo a tierra, conecte la pinza POSITIVA (ROJA) del cargador de batería al terminal POSITIVO (POS, P, o +)

de la batería que no está a tierra. Conecte la pinza NEGATIVA (NEGRA) al chasis o bloque del motor del vehículo, lejos de la batería. Conecte la pinza a una parte de metal grueso y sin pintura del bastidor o el bloque del motor.

ADVERTENCIA: No conecte la pinza al carburador, líneas de combustible o planchas de metal de la carrocería. **NOTA:** Conecte la pinza al terminal de la batería y muévela de atrás adelante varias veces para lograr un buen contacto. Esto tiende a evitar que se escapen las pinzas de los terminales y ayuda a evitar el riesgo de chispas. La ILUSTRACIÓN 6 muestra las conexiones para una batería conectada a tierra.

TERMINAL POSITIVO A TIERRA

5B Para vehículos con positivo a tierra, conecte la pinza NEGATIVA (NEGRA) del cargador de batería al terminal NEGATIVO (NEG, N, o -) de la batería que no está a tierra. Conecte la pinza POSITIVA (ROJA)

al chasis o bloque del motor del vehículo, lejos de la batería. Conecte la pinza a una parte de metal grueso y sin pintura del bastidor o el bloque del motor.

ADVERTENCIA: No conecte la pinza al carburador, líneas de combustible o planchas de metal de la carrocería. **NOTA:** Conecte la pinza al terminal de la batería y muévala de atrás adelante varias veces para lograr un buen contacto. Esto tiende a evitar que se escapen las pinzas de los terminales y ayuda a evitar el riesgo de chispas.

6. Seleccione el amperaje: Vea la Sección de Controles
7. Enchufe el cable de CA del cargador en un tomacorriente de 120 V. **ADVERTENCIA:** Asegúrese que el área alrededor de la batería esté bien ventilada mientras se carga la batería. Se puede expulsar los gases usando como abanico una pieza de cartón u otro material no metálico
8. Continúe cargando la batería hasta que el amperímetro muestre que la carga está a la mitad. (Véase la ILUSTRACIÓN 4)
9. Cuando la batería está totalmente cargada, desconecte el cargador del tomacorriente de CA.
10. Quite (1) las pinzas del chasis y (2) de la terminal de la batería, en ese orden.
11. Limpie y almacene el cargador de baterías.

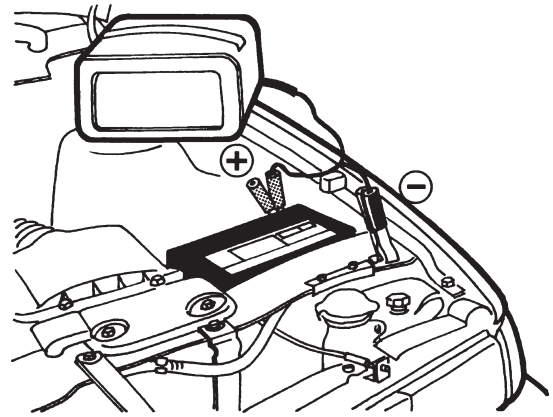


ILUSTRACIÓN 6: CONEXIÓN A BATERÍA CON NEGATIVO A TIERRA

J. INSTRUCCIONES DE OPERACIÓN CÓMO CARGAR UNA BATERÍA FUERA DEL VEHÍCULO

Para cargar una batería fuera del vehículo, determine el tipo de batería. Para reducir el riesgo de chispas cerca de la batería, siga los siguientes pasos cuando la batería está fuera del vehículo. **ADVERTENCIA:** Una chispa cerca de la batería puede causar la explosión de esta. **ADVERTENCIA:** Para sacar la batería de un vehículo o bote, desconecte primero el terminal a tierra. Antes de desconectar la batería, asegúrese que todos los accesorios estén apagados para que no se produzca un arco. **NOTA:** Una batería marina (de botes) se debe sacar y cargarse en tierra. Para cargarla a bordo se requiere equipos especialmente diseñados para uso marino. **ADVERTENCIA:** Para reinstalar la batería, primero conecte el terminal de tierra.

1. Verifique la polaridad de las terminales de la batería. La caja de la batería está marcada cerca de los terminales. POSITIVO (POS, P, o +) y NEGATIVO (NEG, N, o -) **NOTA:** Usualmente la terminal positiva de la batería es de mayor diámetro que la negativa.
2. Asegure un cable de batería aislado calibre 6 (AWG) de 24 pulgadas (61 cm) o más al terminal NEGATIVO (NEG, N, o -). Este cable es necesario para evitar la posibilidad de que una chispa vuele por encima de la batería. Se recomienda el calibre 6 porque se encuentra fácilmente en las tiendas de partes para automóviles.
3. Conecte la pinza POSITIVA (ROJA) del cargador al terminal POSITIVO (POS, P, o +) de la batería. Mueva la pinza de adelante atrás para lograr una buena conexión.
4. Colóquese y libere el extremo del cable de 24 pulgadas (61 cm) tan lejos de la batería como sea posible. Luego conecte la pinza NEGATIVA (NEGRA) del cargador al extremo libre del cable. **ADVERTENCIA:** Al hacer la conexión final, no dé cara a la batería. Mueva la pinza de adelante atrás para lograr una buena conexión. La ILUSTRACIÓN 7 muestra la conexión.
5. Seleccione el amperaje: Vea la Sección de Controles
6. Enchufe el cable de CA del cargador en un tomacorriente de 120 V con conexión a tierra. **ADVERTENCIA:** Asegúrese que el área alrededor de la batería esté bien ventilada mientras se carga la batería. Se puede expulsar los gases usando como abanico una pieza de cartón u otro material no metálico
7. Continúe cargando la batería hasta que el amperímetro muestra que la carga está a la mitad. (Véase la ILUSTRACIÓN 4)

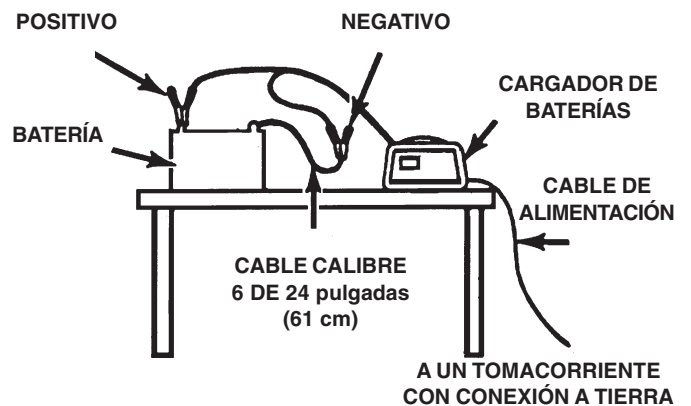


ILUSTRACIÓN 8: CONECTAR LA PINZA NEGATIVA PARA LA BATERÍA AL EXTREMO DE UN CABLE DE 24 PULGADAS (61 cm)

8. Cuando la batería está totalmente cargada, desconecte el cargador del tomacorriente de CA.
9. Cuando la batería está totalmente cargada y se ha desconectado el cargador, (1) quite la pinza del extremo del cable, y (2) quite la pinza del terminal positivo de la batería, en este orden.
10. Limpie y almacene el cargador de baterías.

K. INSTRUCCIONES PARA EL MANTENIMIENTO Y LIMPIEZA

El cargador de baterías requiere un mínimo de mantenimiento. Use sentido común, limpie el cargador y almacénelo en un lugar limpio y seco.

1. Después de usarlo, limpie toda corrosión de la batería de las pinzas, cables y la cubierta del cargador. Use un trapo seco.
2. Enrolle los cables del cargador para evitar daños.
3. Si hay cables rajados o roídos haga que los reemplace un profesional calificado.
4. Almacene el cargador de baterías en un lugar limpio y seco.

Si ocurre un problema, verifique lo siguiente:

PROBLEMA	CAUSA PROBABLE	SOLUCIÓN
No hay lectura en el medidor	El cargador no está enchufado Las conexiones están al revés Mala conexión eléctrica El tomacorriente de CA no tiene corriente La batería está dañada y no acepta la carta	Enchúfelo Desenchufe el cargador, cambie las pinzas y vuelva a conectarlas (moviéndolas de adelante atrás para morder el terminal) Limpie las pinzas y reconéctelas (moviéndolas de adelante atrás para morder el terminal) Enchufe una lámpara u otro artefacto para ver si hay electricidad. Haga que examinen la batería
El cargador no reduce la corriente	La batería está dañada y no acepta la carta	Haga que examinen la batería
La lectura en el medidor es muy alta	La batería está dañada y no acepta la carta	Haga que examinen la batería
La corriente de carga es menos que la máxima que da el cargador	La batería está parcialmente cargada La batería está dañada y no acepta la carta El suministro de CA está bajo	Siga cargando Haga que examinen la batería Enchufe el cargador en otro tomacorriente de CA
La aguja del amperímetro se mueve a la extrema derecha, se queda allí un corto tiempo, y luego vuelve a cero y hace un ruido intermitente	Batería totalmente descargada (pero la batería está bien) La batería está dañada y no acepta la carga El cargador se está reciclando después de una sobrecarga en el interruptor	Deje que continúe la carga hasta que la batería se haya recuperado suficientemente para aceptar la carga (El interruptor automático continuará sonando y la aguja oscilará de izquierda a derecha hasta que la batería se haya recuperado) Haga que examinen la batería Espere hasta que el cargador vuelva a arrancar automáticamente (NO LO DEVUELVA PARA OBTENER SERVICIO)

GARANTÍA LIMITADA

Schumacher Electric Corporation, 801 Business Center Drive, Mount Prospect, Illinois, 60056-2179, hace esta garantía limitada al comprador original al por menor de este producto. Esta garantía limitada no es transferible.

Schumacher Electric Corporation garantiza este cargador de batería por dos años, contados a partir de la fecha de compra, contra defectos de material o fabricación. Si tal cosa ocurre, la unidad será reparada o reemplazada, según opción del fabricante. El comprador tiene la obligación de enviar la unidad, acompañada de un comprobante de compra, al fabricante o a su representante autorizado, con el costo del transporte o de envío por correo ya pagado. Esta garantía limitada no es válida si el producto ha sido usado incorrectamente, sometido a manejo negligente, reparado por cualquier persona o entidad que no sea el fabricante o su representante autorizado.

LEA POR FAVOR: En la mayoría de los casos, un cargador es reemplazable por uno reconstruido. La reposición solo es aplicable en los primeros 2 años. Los cargadores reconstruidos están disponibles a un precio bajo después del vencimiento de la garantía de 2 años.

El fabricante no hace ninguna otra garantía aparte de la presente garantía limitada, y expresamente excluye cualquier garantía implícita, inclusive garantía por daños consecuentes.

La presente es la única garantía expresa y limitada y el fabricante ni asume ni autoriza a nadie a asumir ni hacer ningún otro compromiso con relación a este producto que no sea esta garantía de capacidad de comercialización ni de adecuación a su finalidad de este producto y expresamente las excluye de esta garantía limitada. Algunos estados no permiten la exclusión, limitación de daños incidentales consecuentes o del período de la garantía implícita, de modo que las limitaciones o exclusiones citadas arriba pueden no ser aplicables a Ud. Esta garantía le concede a Ud. derechos legales específicos, y Ud. quizás tenga también otros derechos que varían de estado en estado.



801 Business Center Drive
Mount Prospect, Illinois 60056-2179

Para reparación del producto bajo garantía, envíelo a:
Schumacher Electric Corporation, Warranty Service Department
1025 Thompson Avenue, Hoopeston, IL 60942
Dep. de Servicios al Cliente: 800-621-5485 (Hours: 7 a.m. – 4:30 p.m. CST)

Free Manuals Download Website

<http://myh66.com>

<http://usermanuals.us>

<http://www.somanuals.com>

<http://www.4manuals.cc>

<http://www.manual-lib.com>

<http://www.404manual.com>

<http://www.luxmanual.com>

<http://aubethermostatmanual.com>

Golf course search by state

<http://golfingnear.com>

Email search by domain

<http://emailbydomain.com>

Auto manuals search

<http://auto.somanuals.com>

TV manuals search

<http://tv.somanuals.com>