



OWNER'S MANUAL • MANUAL DEL USUARIO

Models / Modelos: SE-2254, SE-2352, SE-3000, SE-4020,
SE-4022, SE-5025, SE-6030, SE-8050



Manual Battery Charger • Cargador de Batería Manual

⚠ WARNING

⚠ ADVERTENCIA

- READ THE ENTIRE MANUAL BEFORE USING THIS PRODUCT. FAILURE TO DO SO CAN RESULT IN SERIOUS INJURY OR DEATH.
- LEA EL MANUAL COMPLETO ANTES DE UTILIZAR ESTE PRODUCTO. CUALQUIER FALLA PODRÍA RESULTAR EN SERIAS LESIONES O PODRÍA SER MORTAL.

00-99-001026/0210

Download from www.Somanuals.com. All Manuals Search And Download.

TABLE OF CONTENTS

SECTION	PAGE
IMPORTANT SAFETY INSTRUCTIONS	2
PERSONAL PRECAUTIONS	2
PREPARING TO CHARGE	3
CHARGER LOCATION	4
DC CONNECTION PRECAUTIONS	4
FOLLOW THESE STEPS WHEN BATTERY IS INSTALLED IN VEHICLE.	4
FOLLOW THESE STEPS WHEN BATTERY IS OUTSIDE VEHICLE.	5
BATTERY CHARGING – AC CONNECTIONS	5
ASSEMBLY INSTRUCTIONS	6
CONTROL PANEL	9
OPERATING INSTRUCTIONS	10
CALCULATING CHARGE TIME	12
MAINTENANCE INSTRUCTIONS	15
STORAGE INSTRUCTIONS	15
TROUBLESHOOTING	15
BEFORE RETURNING FOR REPAIRS	17
LIMITED WARRANTY	18

ÍNDICE

SECCIÓN	PÀGINA
INSTRUCCIONES IMPORTANTES DE SEGURIDAD	20
PRECAUCIONES PERSONALES	21
PREPARACIÓN PARA LA CARGA	21
UBICACIÓN DEL CARGADOR	22
PRECAUCIONES DE CONEXIÓN EN CC	22
SIGA ESTOS PASOS CUANDO LA BATERÍA ESTÉ COLOCADA EN EL VEHÍCULO.	23
SIGA ESTOS PASOS CUANDO LA BATERÍA SE ENCUENTRE FUERA DEL VEHÍCULO.	23
CARGA DE BATERÍA, CONEXIONES DE CA	24
INSTRUCCIONES DE MONTAJE	25
PANEL DE CONTROL	28
INSTRUCCIONES DE OPERACIÓN	29
CÁLCULO DE TIEMPO DE CARGA	31
INSTRUCCIONES DE MANTENIMIENTO	34
INSTRUCCIONES DE ALMACENAJE	34
LOCALIZACIÓN Y SOLUCIÓN DE PROBLEMAS	34
ANTES DE DEVOLVER A REPARACIONES	37
GARANTÍA LIMITADA	37

IMPORTANT: READ AND SAVE THIS SAFETY AND INSTRUCTION MANUAL.

SAVE THESE INSTRUCTIONS – The SE Line of Wheel Chargers offers a wide range of features to accommodate your needs. This manual will show you how to use your charger safely and effectively. Please read, understand and follow these instructions and precautions carefully, as this manual contains important safety and operating instructions. The safety messages used throughout this manual contain a signal word, a message and an icon.

The signal word indicates the level of the hazard in a situation.

⚠ DANGER Indicates an imminently hazardous situation which, if not avoided, will result in death or serious injury to the operator or bystanders.

⚠ WARNING Indicates a potentially hazardous situation which, if not avoided, could result in death or serious injury to the operator or bystanders.

⚠ CAUTION Indicates a potentially hazardous situation which, if not avoided, could result in moderate or minor injury to the operator or bystanders.

IMPORTANT Indicates a potentially hazardous situation which, if not avoided, could result in damage to the equipment or vehicle or property damage.

Safety messages in this manual contain two different type styles.

- Unnumbered type states the hazard.
- Numbered type states how to avoid the hazard.

The icon gives a graphical description of the potential hazard.

⚠ WARNING



Pursuant to California Proposition 65, this product contains chemicals known to the State of California to cause cancer and birth defects or other reproductive harm.

1. IMPORTANT SAFETY INSTRUCTIONS



Risk of electric shock or fire.

- 1.1 Keep out of reach of children.
- 1.2 Do not expose the charger to rain or snow.
- 1.3 Use only recommended attachments. Use of an attachment not recommended or sold by Schumacher® Electric Corporation may result in a risk of fire, electric shock or injury to persons or damage to property.
- 1.4 To reduce the risk of damage to the electric plug or cord, pull by the plug rather than the cord when disconnecting the charger.
- 1.5 An extension cord should not be used unless absolutely necessary. Use of an improper extension cord could result in a risk of fire and electric shock. If an extension cord must be used, make sure:
 - That the pins on the plug of the extension cord are the same number, size and shape as those of the plug on the charger.
 - That the extension cord is properly wired and in good electrical condition.
 - That the wire size is large enough for the A.C. ampere rating of the charger as specified in Section 8.
- 1.6 To reduce the risk of electric shock, unplug the charger from the outlet before attempting any maintenance or cleaning. Simply turning off the controls will not reduce this risk.
- 1.7 Remove personal metal items such as rings, bracelets, necklaces and watches when working with a lead-acid battery. A lead-acid battery can produce a short-circuit current high enough to weld a ring or the like to metal, causing a severe burn.
- 1.8 Do not operate the charger with a damaged cord or plug; take it to a qualified service person. (Call customer service at: 1-800-621-5485.)
- 1.9 Do not operate the charger if it has received a sharp blow, been dropped or otherwise damaged in any way; take it to a qualified service person. (Call customer service at: 1-800-621-5485.)
- 1.10 Do not disassemble the charger; take it to a qualified service person when service or repair is required. Incorrect reassembly may result in a risk of fire or electric shock. (Call customer service at: 1-800-621-5485.)

2. PERSONAL PRECAUTIONS



Risk of explosive gases.

- 2.1 Working in the vicinity of a lead-acid battery is dangerous. Batteries generate explosive gases during normal battery operation. For this reason, it is of utmost importance that you follow the instructions each time you use the charger.

- 2.2 To reduce the risk of a battery explosion, follow these instructions and those published by the battery manufacturer and the manufacturer of any equipment you intend to use in the vicinity of the battery. Review the cautionary markings on these products and on the engine.
- 2.3 NEVER smoke or allow a spark or flame in the vicinity of a battery or engine.
- 2.4 Be extra cautious to reduce the risk of dropping a metal tool onto the battery. It might spark or short-circuit the battery or other electrical part that may cause an explosion.
- 2.5 Use this charger for charging LEAD-ACID batteries only. It is not intended to supply power to a low voltage electrical system other than in a starter-motor application. Do not use this battery charger for charging dry-cell batteries that are commonly used with home appliances. These batteries may burst and cause injury to persons and damage to property.
- 2.6 NEVER charge a frozen battery.
- 2.7 NEVER overcharge a battery.

3. PREPARING TO CHARGE



Risk of contact with battery acid. Battery acid is a highly corrosive sulfuric acid.

- 3.1 Consider having someone close enough by to come to your aid when you work near a lead-acid battery.
- 3.2 Have plenty of fresh water and soap nearby in case battery acid contacts your skin, clothing or eyes.
- 3.3 Wear complete eye and body protection, including safety goggles and protective clothing. Avoid touching your eyes while working near the battery.
- 3.4 If battery acid contacts your skin or clothing, immediately wash the area with soap and water. If acid enters your eye, immediately flood the eye with cold running water for at least 10 minutes and get medical attention right away.
- 3.5 If battery acid is accidentally swallowed, drink milk, the whites of eggs or water. DO NOT induce vomiting. Seek medical attention immediately.
- 3.6 If it is necessary to remove the battery from the vehicle to charge it, always remove the grounded terminal first. Make sure all of the accessories in the vehicle are off to prevent arcing.
- 3.7 Be sure the area around the battery is well ventilated while the battery is being charged.
- 3.8 Clean the battery terminals before charging the battery. During cleaning, keep airborne corrosion from coming into contact with your eyes, nose and mouth. Use baking soda and water to neutralize the battery acid and help eliminate airborne corrosion. Do not touch your eyes, nose or mouth.
- 3.9 Add distilled water to each cell until the battery acid reaches the level specified by the battery manufacturer. Do not overfill. For a battery without removable cell caps, such as valve regulated lead acid batteries (VRLA), carefully follow the manufacturer's recharging instructions.
- 3.10 Read, understand and follow all instructions for the charger, battery, vehicle and any equipment used near the battery and charger. Study all of the battery manufacturer's specific precautions while charging and recommended rates of charge.

- 3.11 Determine the voltage of the battery by referring to the vehicle owner's manual and make sure that the output voltage selector switch is set to the correct voltage. If the charger has an adjustable charge rate, charge the battery in the lowest rate first.
- 3.12 Make sure that the charger cable clips make tight connections.

4. CHARGER LOCATION



Risk of explosion and contact with battery acid.

- 4.1 Locate the charger as far away from the battery as the DC cables permit.
- 4.2 Never place the charger directly above the battery being charged; gases from the battery will corrode and damage the charger.
- 4.3 Do not set the battery on top of the charger.
- 4.4 Never allow battery acid to drip onto the charger when reading the electrolyte specific gravity or filling the battery.
- 4.5 Do not operate the charger in a closed-in area or restrict the ventilation in any way.

5. DC CONNECTION PRECAUTIONS

- 5.1 Connect and disconnect the DC output clips only after setting all of the charger switches to the "off" position and removing the A.C. plug from the electrical outlet. Never allow the clips to touch each other.
- 5.2 Attach the clips to the battery and chassis, as indicated in sections 6 and 7.

6. FOLLOW THESE STEPS WHEN BATTERY IS INSTALLED IN VEHICLE.



A spark near the battery may cause a battery explosion. To reduce the risk of a spark near the battery:

- 6.1 Position the A.C. and D.C. cables to reduce the risk of damage by the hood, door and moving or hot engine parts. NOTE: If it is necessary to close the hood during the charging process, ensure that the hood does not touch the metal part of the battery clips or cut the insulation of the cables.
- 6.2 Stay clear of fan blades, belts, pulleys and other parts that can cause injury.
- 6.3 Check the polarity of the battery posts. The POSITIVE (POS, P, +) battery post usually has a larger diameter than the NEGATIVE (NEG, N, -) post.
- 6.4 Determine which post of the battery is grounded (connected) to the chassis. If the negative post is grounded to the chassis (as in most vehicles), see step 6.5. If the positive post is grounded to the chassis, see step 6.6.
- 6.5 For a negative-grounded vehicle, connect the POSITIVE (RED) clip from the battery charger to the POSITIVE (POS, P, +) ungrounded post of the battery. Connect the NEGATIVE (BLACK) clip to the vehicle chassis or engine block away from the battery. Do not connect the clip to the carburetor, fuel lines or sheet-metal body parts. Connect to a heavy gauge metal part of the frame or engine block.

- 6.6 For a positive-grounded vehicle, connect the NEGATIVE (BLACK) clip from the battery charger to the NEGATIVE (NEG, N, -) ungrounded post of the battery. Connect the POSITIVE (RED) clip to the vehicle chassis or engine block away from the battery. Do not connect the clip to the carburetor, fuel lines or sheet-metal body parts. Connect to a heavy gauge metal part of the frame or engine block.
- 6.7 When disconnecting the charger, turn all switches to off, disconnect the A.C. cord, remove the clip from the vehicle chassis and then remove the clip from the battery terminal.
- 6.8 See CALCULATING CHARGE TIME for length of charge information.

7. FOLLOW THESE STEPS WHEN BATTERY IS OUTSIDE VEHICLE.



A spark near the battery may cause a battery explosion. To reduce the risk of a spark near the battery:

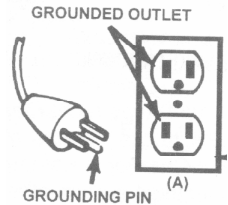
- 7.1 Check the polarity of the battery posts. The POSITIVE (POS, P, +) battery post usually has a larger diameter than the NEGATIVE (NEG, N, -) post.
- 7.2 Attach at least a 24-inch (61 cm) long 6-gauge (AWG) insulated battery cable to the NEGATIVE (NEG, N, -) battery post.
- 7.3 Connect the POSITIVE (RED) charger clip to the POSITIVE (POS, P, +) post of the battery.
- 7.4 Position yourself and the free end of the cable you previously attached to the NEGATIVE (NEG, N, -) battery post as far away from the battery as possible – then connect the NEGATIVE (BLACK) charger clip to the free end of the cable.
- 7.5 Do not face the battery when making the final connection.
- 7.6 When disconnecting the charger, always do so in the reverse order of the connecting procedure and break the first connection while as far away from the battery as practical.
- 7.7 A marine (boat) battery must be removed and charged on shore. To charge it onboard requires equipment specially designed for marine use.

8. BATTERY CHARGING – A.C. CONNECTIONS



Risk of electric shock or fire.

- 8.1 This battery charger is for use on a nominal 120-volt circuit and has a grounded plug that looks like the plug illustrated. The charger must be grounded to reduce the risk of electric shock. The plug must be plugged into an outlet that is properly installed and grounded in accordance with all local codes and ordinances. The plug pins must fit the receptacle (outlet). Do not use with an ungrounded system.
- 8.2 Never alter the A.C. cord or plug provided – if it does not fit the outlet, have a proper grounded outlet installed by a qualified electrician. An improper connection can result in a risk of an electric shock or electrocution.



NOTE: Pursuant to Canadian Regulations, use of an adapter plug is not allowed in Canada. Use of an adapter plug in the United States is not recommended.

8.3 Recommended minimum AWG size for extension cord:

A.C. input rating, amperes*		AWG size of cord Length of cord, feet (m)			
At least	But less than	25 (7.6)	50 (15.2)	100 (30.5)	150 (45.6)
0	2	18	18	18	16
2	3	18	18	16	14
3	4	18	18	16	14
4	5	18	18	14	12
5	6	18	16	14	12
6	8	18	16	12	10
8	10	18	14	12	10
10	12	16	14	10	8
12	14	16	12	10	8
14	16	16	12	10	8
16	18	14	12	8	8
18	20	14	12	8	6

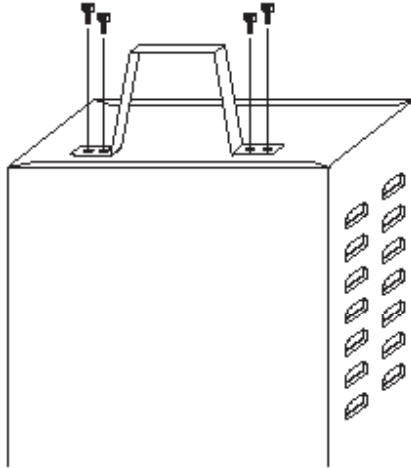
*If the input rating of a charger is given in watts rather than in amperes, the corresponding ampere rating is to be determined by dividing the wattage rating by the voltage rating - for example:
 $1200 \text{ watts} / 120 \text{ volts} = 10 \text{ amperes}$

9. ASSEMBLY INSTRUCTIONS

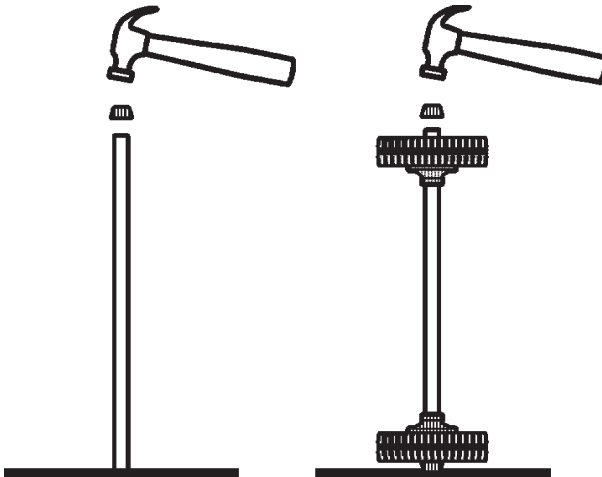
9.1 It is important to fully assemble your charger before use. Follow these instructions for assembly.

PARTS	TOOLS NEEDED
(2) 10-32, thread cutting screws	3/8" wrench (for mounting foot)
(4) 1/4-20, thread cutting screws	5/16" wrench (for mounting wheels)
(4) Philips head sheet metal screws	hammer
(2) wheels	screwdriver (flat blade)
(1) axle	screwdriver (Phillips)
(2) axle caps	
(2) axle brackets	
(1) handle	
(1) foot	
(1) plastic handle grip (not supplied with all units)	

- 9.2 Attach the Foot:** Remove the charger from the packing materials and place it upside down on a flat surface. Attach the foot and secure it with the four ¼-20 thread cutting screws provided.

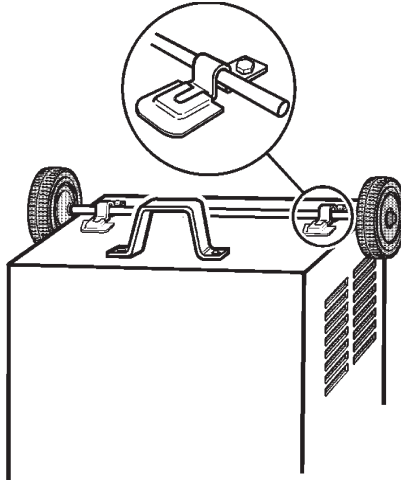


- 9.3 Assemble the Wheels and Axle:** Hold the axle upright on the floor or work surface. Then, using a hammer, tap one of the axle caps onto the top end of the axle. Be sure to tap the axle cap on straight. Slide both wheels onto the axle with the recessed hubs facing out as shown. Install the second axle cap.

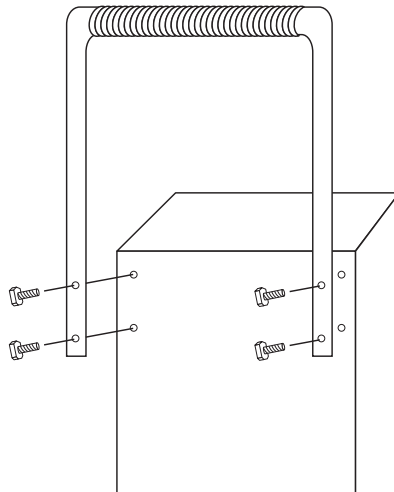


- 9.4 Mount the Axle to the Charger:** Place one end of each bracket into the slot on the bottom of the charger. Place the axle assembly under each bracket. Attach the brackets using the two, 10-32 thread cutting screws provided.

NOTE: Be careful not to drop the brackets inside of the charger case.



- 9.5 Attach the Handle:** If the charger came with a plastic grip, slide that onto the handle until it is centered at the top. Turn the charger right side up onto its foot and wheels. Align the handle so the screw holes are aligned with the screw holes on the upper back corners of the charger. Attach the handle using the four Phillips head screws provided.



10. CONTROL PANEL

Note: Not all controls are available on all models.

Charge Rate Selector Switch

Use the Charge Rate selector switch to select the charge rate or engine starting setting you require.

- **2A Slow Charge Rate** – Intended for charging small batteries such as those commonly used in garden tractors, snow mobiles and motorcycles.
- **10A, 15A, 20A, 30A Fast and 35A, 40A, 44A, 50A, 60A, 80A Rapid Charge Rate** – Use for charging automotive, marine and deep-cycle batteries. Not intended for industrial applications.
- **100A, 125A, 180A, 200A, 225A, 300A Engine Start** – Provides **100, 125, 180, 200, 225 or 300** amps for cranking an engine with a weak or run down battery. Always use in combination with a battery.

Timer (Not applicable for model SE-2352)

- **Timer Setting:** The timer allows you to set a specified time for charging. After the timer expires, the charger stops charging your battery. The main function of the timer is to prevent over charging while allowing a battery time to obtain a satisfactory charge. To properly set the timer, you must know the size of the battery in ampere hours or reserve capacity in minutes and the state of charge. It is important that you determine the appropriate state of charge of your battery as specified in Section 12 and set the timer accordingly.
- **Hold:** This position defeats the timer function, allowing for continuous operation. Be sure to monitor the charging progress and stop it when the battery is charged. Not doing so may cause damage to your battery or may cause other personal property damage or personal injury.

Ammeter

The Ammeter indicates the amount of current, measured in amps, that is being drawn by the battery. As a battery takes on a charge, it draws less current from the charger. Correspondingly, the meter will show less current being drawn by the battery. When the current stops decreasing, the battery is charged. The start area of the meter indicates a high rate of current being drawn from the charger. When cranking an engine, the meter needle will be at the extreme right side of the start area. The 2 amp charge rate may indicate some activity on the meter, although the meter does not have the resolution to display this low rate.

- **Percent of Charge**

The percent of charge scale is intended as a visual aid to help simplify reading the state of charge. The percent of charge is based on the current drawn by the battery. For this reason, accuracy will vary with the size and battery type. This means that the indication for a fully charged large battery may be slightly less than 100%.

Model SE-2352 employs 2 toggle switches:

- Switch #1 - Use this switch to select the 200 Amp Engine Start and the 35 Amp Charge Rate. Switch #2 must be in the down position (Select Position) when using Switch #1.
- Switch #2 - Use this switch to select the 2 amp Charge Rate and the OFF position. Also, use to select use of Switch #1. Note that Switch #1 is only effective when Switch #2 is set to "Select Position."

Battery Load Tester Switch (Model SE-8050 only)

When testing a battery, use this switch to apply a load to it.

Battery Tester Switch (Models SE-2254 & SE-4022 only)

When testing a battery, use this switch to select between testing a 6 volt battery and testing a 12 volt battery.

Voltage Selector Switch

Use this switch to set the scale of the voltmeter to either 6 volt and 12 volt DC to match the battery or batteries being charged. NOTE: This does not change the output voltage of the charger.

Voltmeter

The voltmeter indicates the voltage at the battery clips. The charger need not be plugged into an A.C. outlet. The timer should be in the OFF position. Then connect the charger following the instructions in sections 6 and 7.

11. OPERATING INSTRUCTIONS

Charging (Model SE-2352)

1. Ensure that all of the charger components are in place and in good working condition, including the plastic boots on the battery clips. Make sure the electrolyte (battery liquid) in each cell is at the correct level.
2. Set the charge rate selector switch (switch #2) to the OFF position.
3. Connect the battery following the precautions listed in Sections 6 and 7.
4. Connect the A.C. power following the precautions listed in Section 8.
5. Place the charge rate selector switches (switch #1 and #2) in the preferred position.
 - For the 2A charge rate, switch #1 is not used and switch #2 should be toggled up.
 - For the 35A charge rate, both switches (#1 and #2) should be toggled down.
6. To disconnect the charger, reverse the procedure.

NOTE: This is a manual charger and will overcharge a battery if permitted to operate for extended periods of time. Monitor the charging often.

Charging (Models SE-2254, SE-3000, SE-4020, SE-4022, SE-5025, SE-6030, SE-8050)

7. Ensure that all of the charger components are in place and in good working condition, including the plastic boots on the battery clips.
8. Connect the battery following the precautions listed in sections 6 and 7.
9. Select the appropriate settings for your battery.
10. Connect the A.C. power following the precautions listed in section 8.
11. Turn the charger on. (If necessary)

Using the Engine Start feature

Your battery charger can be used to jumpstart your car if the battery is low. Follow these instructions on how to use the ENGINE START feature.

⚠WARNING Follow all safety instructions and precautions for charging your battery. Wear complete eye protection and clothing protection. Charge your battery in a well-ventilated area.

IMPORTANT Using the ENGINE START feature WITHOUT a battery installed in the vehicle could cause damage to the vehicle's electrical system. NOTE: If you have charged the battery and it still will not start your car, do not use the engine start feature, or it could damage the vehicle's electrical system.

1. Set the charge rate switch and the timer to the OFF position.

2. With the charger unplugged from the A.C. outlet, connect the charger to the battery following the instructions given in Section 6 (FOLLOW THESE STEPS WHEN THE BATTERY IS INSTALLED IN A VEHICLE).
3. Plug the charger A.C. power cord into the A.C. outlet, and then move the timer switch from OFF to the HOLD position.
4. With the charger plugged in and connected to the battery of the vehicle, set the charge rate selector switch to the engine start position.
5. Crank the engine until it starts or 5 seconds pass. If the engine does not start, wait 3 minutes before cranking again. This allows the charger and battery to cool down.

NOTE: During extremely cold weather, or if the battery is under 2 volts, charge the battery for 5 minutes before cranking the engine.

6. If the engine fails to start, charge the battery for 5 more minutes before attempting to crank the engine again.
7. After the engine starts, move the charge rate selector switch and timer to the off position and unplug the A.C. power cord before disconnecting the battery clips from the vehicle.
8. Clean and store the charger in a dry location.

NOTE: If the engine does turn over but never starts, there is not a problem with the starting system; there is a problem somewhere else with the vehicle. STOP cranking the engine until the other problem has been diagnosed and corrected.

Using the Battery Voltage Tester (Models SE-2254 and SE-4022 only)

1. Set the Voltage Selector switch to the correct setting (6V or 12V) to match the battery to be tested.
2. Set the timer to the OFF position.
3. Connect the battery to the charger as specified in sections 6 and 7. The charger does not need to be plugged into an A.C. outlet.
4. Read the voltmeter.

Keep in mind that this reading is only a battery voltage reading, a false charge may mislead you. We suggest that you turn on the headlights for a couple of minutes and then wait a couple of minutes after you have turned them off before reading the meter. Then, follow the convenient color code shown on the meter.

Using the Battery Load Tester (Model SE-8050 only)

1. Set the Voltage Selector switch to the correct setting (6V or 12V) to match the battery to be tested.
2. Set the timer to the OFF position.
3. Connect the battery to the charger as specified in sections 6 and 7. The charger does not need to be plugged into an A.C. outlet.
4. Press the Battery Load Test switch to LOAD ON for 10 seconds and read the voltmeter.

Green – Indicates the battery capacity is OK. The battery may or may not be fully charged. Check the specific gravity to determine the state of charge. If the specific gravity shows less than a full charge, check for an electrical drain on the battery or for possible charging system problems. Recharge the battery to full charge.

Yellow or Red but the needle remains steady – Indicates that the battery capacity is not satisfactory. The battery may be either defective or not fully charged. Check the specific gravity of the battery to see which condition exists. If charging does not bring the battery up to a full charge, the battery should be replaced.

Yellow or Red but the needle continues to fall – Indicates the battery may be defective or rundown. Release the load switch and note the voltmeter reaction. Voltage recovery into the green or above within seconds indicates a defective battery. A slow recovery indicates a rundown condition. For best results, check the specific gravity of the battery.

General Charging Notes

Fan: It is normal for the fan to be on all the time. Keep the area near the charger clear of obstructions to allow the fan to operate efficiently.

12. CALCULATING CHARGE TIME

The Hydrometer or Electronic Method

To find the time needed to fully charge your battery, determine the battery's charge level with a hydrometer or electronic Percent-of-Charge Tester. The following table will help you convert hydrometer readings to percent of charge values.

SPECIFIC GRAVITY	PERCENT OF CHARGE	PERCENT OF CHARGE NEEDED
1.265	100%	0%
1.225	75%	25%
1.155	25%	75%
1.120	0%	100%

When you know the percent of charge and the Amp Hour (AH) rating of your battery, you can calculate the approximate time needed to bring your battery to a full charge.

To convert Reserve Capacity to Amp Hours, divide Reserve Capacity by 2, and add 16:

Example:

$$\text{Amp Hour Rating} = \frac{\text{Reserve Capacity}}{2} + 16$$

NOTE: The Reserve Capacity can be obtained from the battery specification sheet or the owner's manual.

To calculate the time needed for a charge:

1. Find the percent of charge needed. (A battery at 50 percent charge that will be charged to 100 percent needs another 50 percent (.50)).
2. Multiply the Amp Hour Rating by the charge needed (.50) and divide by the charge rate.
3. Multiply the results by 1.25 and you will have the total time needed, in hours, to bring the battery to full charge.
4. Add an additional hour for a deep-cycle battery.

Example:

$$\frac{\text{Amp Hour Rating} \times \% \text{ of charge needed}}{\text{Charger Setting}} \times 1.25 = \text{hours of charge}$$

$$\frac{100 \text{ (Ah Rating)} \times .50 \text{ (charge needed)}}{20 \text{ (Charger Setting)}} \times 1.25 = 3.125 \text{ hours}$$

$$\frac{100 \times .50}{20} \times 1.25 = 3.125$$

You would need to charge your 100-Ampere Hour Battery for a little more than 3 hours at the 20-Amp charge rate using the above example.

The Chart Method

Use the following table to more accurately determine the time it will take to bring a battery to full charge. First, identify where your battery fits into the chart.

NR means that the charger setting is NOT RECOMMENDED.

Find your battery's rating on the chart below, and note the charge time given for each charger setting. The times given are for batteries with a 50% charge prior to recharging. Add more time for severely discharged batteries.

BATTERY SIZE/RATING		CHARGE RATE/ CHARGING TIME - HOURS												
		2 AMP	5 AMP	10 AMP	15 AMP	20 AMP	30 AMP	35 AMP	40 AMP	50 AMP	60 AMP	80 AMP		
SMALL BATTERIES	6 - 12 Ah	2 - 3 ³ / ₄ hrs.	3 ¹ / ₄ - 1 ¹ / ₂ hrs.	NR	NR	NR	NR	NR	NR	NR	NR	NR	NR	NR
	12 - 32 Ah	3 ³ / ₄ - 10 hrs.	1 ¹ / ₂ - 4 hrs.	NR	NR	NR	NR	NR	NR	NR	NR	NR	NR	NR
CAR/ TRUCK	40 - 60 RC	1 ¹ / ₄ - 1 ¹ / ₂ hrs.	4 ¹ / ₂ - 5 ³ / ₄ hrs.	2 ¹ / ₄ - 3 hrs.	1 ¹ / ₂ - 2 hrs.	1 - 1 ¹ / ₂ hrs.	3 ³ / ₄ - 1 hr.	40 - 50 min.	1 ¹ / ₂ - 3 ³ / ₄ hrs.	25 - 35 min.	23 - 29 min.	17 - 22 min.	NR	NR
	60 - 85 RC	1 ⁴ / ₂ - 1 ⁸ / ₄ hrs.	5 ³ / ₄ - 7 ¹ / ₂ hrs.	3 - 3 ³ / ₄ hrs.	2 - 2 ¹ / ₂ hrs.	1 ¹ / ₂ - 2 hrs.	1 - 1 ¹ / ₄ hrs.	50 - 60 min.	3 ³ / ₄ - 1 hr.	1 ¹ / ₂ - 3 ³ / ₄ hrs.	29 - 37 min.	22 - 28 min.	NR	NR
	85 - 190 RC	1 ⁸ / ₄ - 3 ³ / ₄ hrs.	7 ¹ / ₂ - 14 hrs.	3 ³ / ₄ - 7 hrs.	2 ¹ / ₂ - 4 ¹ / ₂ hrs.	2 - 3 ¹ / ₂ hrs.	2 - 3 ¹ / ₂ hrs.	1 ¹ / ₄ - 2 ¹ / ₄ hrs.	1 - 2 hrs.	1 - 1 ³ / ₄ hrs.	3 ³ / ₄ - 1 ¹ / ₂ hrs.	37 - 70 min.	28 - 52 min.	NR
MARINE/DEEP CYCLE	80 RC	1 ⁷ / ₂ hrs	7 hrs.	3 ¹ / ₂ hrs.	2 ¹ / ₄ hrs	1 ³ / ₄ hrs.	NR	NR	NR	NR	NR	NR	NR	NR
	140 RC	27 hrs.	10 ³ / ₄ hrs.	5 ¹ / ₂ hrs.	3 ¹ / ₂ hrs	2 ³ / ₄ hrs.	NR	NR	NR	NR	NR	NR	NR	NR
	160 RC	30 hrs.	12 hrs	6 hrs.	4 hrs	3 hrs.	NR	NR	NR	NR	NR	NR	NR	NR
	180 RC	33 hrs.	13 ¹ / ₄ hrs.	6 ¹ / ₂ hrs.	4 ¹ / ₂ hrs	3 ¹ / ₄ hrs.	NR	NR	NR	NR	NR	NR	NR	NR

13. MAINTENANCE INSTRUCTIONS

- 13.1 After use and before performing maintenance, unplug and disconnect the battery charger (see Sections 6, 7 and 8).
- 13.2 Use a dry cloth to wipe all battery corrosion and other dirt or oil from the terminals, cords, and the charger case.
- 13.3 Ensure that all of the charger components are in place and in good working condition, including the plastic boots on the battery clips.
- 13.4 Servicing does not require opening the unit, as there are no user-serviceable parts.

14. STORAGE INSTRUCTIONS

- 14.1 Store the charger unplugged, in an upright position. The cord will still conduct electricity until it is unplugged from the outlet.
- 14.2 Store inside, in a cool, dry place (unless you're using an on-board Marine Charger).
- 14.3 Do not store the clips on the handle, clipped together, on or around metal, or clipped to cables.

15. TROUBLESHOOTING

PROBLEM	POSSIBLE CAUSE	REASON/SOLUTION
No reading on the ammeter.	Charger is not plugged in.	Plug the charger into an A.C. outlet.
	No power at the receptacle.	Check for open fuse or circuit breaker supplying A.C. outlet.
	Clips are not making a good connection to the battery.	Check for poor connection to battery and frame. Make sure connection points are clean. Rock clips back and forth for a better connection.
	Connections are reversed.	Unplug the charger and reverse the clips.
	Battery is defective (will not accept a charge).	Have battery checked.
	2 amp charge rate is being used.	Ammeter may show no activity at the 2A charge rate.
Ammeter reading stays high.	Battery is severely discharged.	Continue charging battery for two more hours. If problem continues have the battery checked.
	Wrong battery voltage.	Verify the voltage settings or output ratings on the charger are correct.

PROBLEM	POSSIBLE CAUSE	REASON/SOLUTION
Ammeter reads less than selected charge rate when charging a discharged battery	<p>Extension cord is too long or wire gauge is too small.</p> <p>Weak cell or sulfated plate in battery.</p> <p>Battery is only partially discharged.</p>	<p>Use a shorter or heavier gauge extension cord.</p> <p>A sulfated battery will eventually take a normal charge if left connected. If the battery will not take a charge, have it checked.</p> <p>Continue to charge the battery.</p>
The charger is making an audible clicking sound.	<p>Circuit breaker is cycling.</p> <p>Battery is defective.</p> <p>Shorted battery cables or clips.</p> <p>Severely discharged battery, but otherwise it is a good battery.</p> <p>Reverse connections at battery.</p>	<p>The settings may be wrong. Check the charger settings.</p> <p>Have the battery checked.</p> <p>Circuit breaker cycles when current draw is too high. Check for shorted cables or clips and replace if necessary.</p> <p>The battery may not want to accept a charge due to a run-down state. Allow charging to continue until battery has a chance to recover sufficiently to take a charge. If more than 20 minutes, stop charging and have the battery checked.</p> <p>Shut the charger off and correct the lead connections.</p>
Charger makes a loud buzz or hum.	<p>Transformer laminations vibrate (buzz).</p> <p>Shorted Diode Assembly or Output Rectifier Assembly (hum).</p>	<p>No problem, this is a normal condition.</p> <p>Have charger checked by a qualified technician.</p>

PROBLEM	POSSIBLE CAUSE	REASON/SOLUTION
Short or no start cycle when cranking engine.	Drawing more than the engine start rate	Crank time varies with the amount of current drawn. If cranking draws more than the engine start rate, crank time may be less than 3 seconds.
	Failure to wait 3 minutes (180 seconds) between cranks.	Wait 3 minutes of rest time before the next crank.
	Clips are not making a good connection.	Check for poor connection at battery and frame.
	AC cord and/or extension cord is loose.	Check power cord and extension cord for loose fitting plug.
	No power at receptacle.	Check for open fuse or circuit breaker supplying A.C. outlet.
	The charger may be overheated.	The thermal protector may have tripped and needs a little longer to reset. Make sure the charger vents are not blocked. Wait and try again.
Battery may be severely discharged.	On a severely discharged battery, charge for 10 to 15 minutes in the manual charge rate to help assist in cranking.	
Charger will not turn on when properly connected.	A.C. outlet is dead.	Check for open fuse or circuit breaker supplying A.C. outlet.
	Poor electrical connection.	Check power cord and extension cord for loose fitting plug.
The battery is connected and the charger is on, but is not charging.	Clips are not making a good connection.	Check for poor connection at battery and frame. Make sure connecting points are clean. Rock clips back and forth for a better connection.
The measured current is much lower than what was selected.	The charger reached the maximum voltage and is reducing the current.	No problem, this is a normal condition.

16. BEFORE RETURNING FOR REPAIRS

- 16.1** When a charging problem arises, make certain that the battery is capable of accepting a normal charge. Use a good battery to double check all connections, the A.C. outlet for a full 120-volts, the charger clips for correct polarity and the quality of the connections from the cables to the clips and from the clips to the battery system. The clips must be clean.
- 16.2** When a battery is very cold, partially charged or sulfated, it will not draw the full rated amperes from the charger. It is both dangerous and damaging to a battery to force higher amperage into it than it can effectively use in recharging.

- 16.3** When an UNKNOWN OPERATING PROBLEM arises, please read the complete manual and call the customer service number for information that will usually eliminate the need for return.

If the above solutions do not eliminate the problem or for information about troubleshooting or replacement parts, call toll-free from anywhere in the U.S.A.
1-800-621-5485

7:00 am to 5:00 pm Central Time Monday thru Friday

17. LIMITED WARRANTY

SCHUMACHER ELECTRIC CORPORATION, 801 BUSINESS CENTER DRIVE, MOUNT PROSPECT, IL 60056-2179, MAKES THIS LIMITED WARRANTY TO THE ORIGINAL RETAIL PURCHASER OF THIS PRODUCT. THIS LIMITED WARRANTY IS NOT TRANSFERABLE OR ASSIGNABLE.

Schumacher Electric Corporation (the "Manufacturer") warrants this battery charger for 3 years from the date of purchase at retail against defective material or workmanship that may occur under normal use and care. If your unit is not free from defective material or workmanship, Manufacturer's obligation under this warranty is solely to repair or replace your product with a new or reconditioned unit at the option of the Manufacturer. It is the obligation of the purchaser to forward the unit, along with mailing charges prepaid to the Manufacturer or its authorized representatives in order for repair or replacement to occur.

Manufacturer does not provide any warranty for any accessories used with this product that are not manufactured by Schumacher Electric Corporation and approved for use with this product. This Limited Warranty is void if the product is misused, subjected to careless handling, repaired, or modified by anyone other than Manufacturer or if this unit is resold through an unauthorized retailer.

Manufacturer makes no other warranties, including, but not limited to, express, implied or statutory warranties, including without limitation, any implied warranty of merchantability or implied warranty of fitness for a particular purpose. Further, Manufacturer shall not be liable for any incidental, special or consequential damage claims incurred by purchasers, users or others associated with this product, including, but not limited to, lost profits, revenues, anticipated sales, business opportunities, goodwill, business interruption and any other injury or damage. Any and all such warranties, other than the limited warranty included herein, are hereby expressly disclaimed and excluded. Some states do not allow the exclusion or limitation of incidental or consequential damages or length of implied warranty, so the above limitations or exclusions may not apply to you. This warranty gives you specific legal rights and it is possible you may have other rights which vary from this warranty.

THIS LIMITED WARRANTY IS THE ONLY EXPRESS LIMITED WARRANTY AND THE MANUFACTURER NEITHER ASSUMES OR AUTHORIZES ANYONE TO ASSUME OR MAKE ANY OTHER OBLIGATION TOWARDS THE PRODUCT OTHER THAN THIS WARRANTY.

**Schumacher Electric Corporation Customer Service
1-800-621-5485**

Monday – Friday 7:00 a.m. to 5:00 p.m. CST

Schumacher and the Schumacher Logo are registered trademarks of
Schumacher Electric Corporation

IMPORTANTE: LEA Y GUARDE ESTE MANUAL DE INSTRUCCIONES Y SEGURIDAD.

GUARDE ESTAS INSTRUCCIONES: La línea SE de Cargadores de ruedas ofrece una amplia gama de características para satisfacer sus necesidades. Este manual le mostrará cómo utilizar su cargador en forma segura y efectiva. Por favor, lea, comprenda y siga estas instrucciones y precauciones cuidadosamente, ya que este manual contiene instrucciones operativas y de seguridad de importancia. Los mensajes de seguridad representados en este manual contienen palabras guía, un mensaje y una figura.

La palabra guía indica el nivel de peligro en determinada situación.

▲ PELIGRO Indica una inminente situación de riesgo que, si no se evita, resultaría mortal o de serios perjuicios al operador o personas alrededor.

▲ ADVERTENCIA Indica una situación potencialmente riesgoso que, si no se evita, podría resultar o de serios perjuicios al operador o personas alrededor.

▲ ATENCIÓN Indica una situación potencialmente peligrosa que, de no evitarse, podría resultar en menores o serio daños al usuario y terceras personas.

IMPORTANTE Indica una situación potencialmente peligrosa que, de no evitarse, podría causar daño al equipo, al vehículo y propiedades alrededor.

Los mensajes estipulados en este manual se describen dos tipos de estilo.

- Los que aparecen sin número indican el riesgo.
- Aquellos que aparecen numerados, indican cómo evitar los riesgos.

La figura muestra una descripción gráfica del potencial de riesgo.

▲ ADVERTENCIA



Conforme a la propuesta 65 de California, este producto contiene químicos de los cuales en el Estado de California se tiene conocimiento que provocan cáncer y malformaciones congénitas u otras lesiones reproductivas.

1. INSTRUCCIONES IMPORTANTES DE SEGURIDAD



El riesgo de descarga eléctrica o incendio

- 1.1 Manténgase alejado de los niños.
- 1.2 No exponga el cargador a la lluvia o a la nieve.
- 1.3 Utilice solamente accesorios recomendados. El uso de un accesorio no recomendado o suministrado por Schumacher® Electric Corporation puede provocar riesgo de incendio, descarga eléctrica o lesiones a personas o daño a la propiedad.
- 1.4 Para reducir el riesgo de daños al enchufe o cable eléctrico, jale del enchufe en lugar de jalar del cable al desconectar el cargador.
- 1.5 No se debe utilizar un alargador a menos que resulte absolutamente necesario. El uso de un alargador inadecuado puede provocar riesgo de incendio o descarga eléctrica. En caso de que deba utilizarse un alargador, asegúrese de que:
 - Los pasadores en el enchufe del alargador posean el mismo número, tamaño y forma que aquellos presentes en el enchufe del cargador.
 - El alargador se encuentre correctamente conectado y en buenas condiciones eléctricas.
 - El tamaño del cable sea lo suficientemente extenso para el amperaje en C.A. del cargador como se especifica en la Sección 8..
- 1.6 Para reducir el riesgo de descarga eléctrica, desenchufe el cargador del tomacorriente antes de intentar llevar a cabo cualquier actividad de mantenimiento o limpieza. El simple apagado de los controles no reducirá este riesgo.
- 1.7 No utilice elementos personales de metal tales como anillos, pulseras, collares y relojes al trabajar con una batería de plomo-ácido. Una batería de plomo-ácido puede producir una corriente de cortocircuito lo suficientemente elevada como para soldar un anillo o provocar efectos similares sobre el metal, causando una quemadura de gravedad.
- 1.8 No utilice el cargador si el mismo posee un enchufe o cable dañado; hágalo revisar por una persona capacitada que efectúe reparaciones. (Comuníquese con el servicio al cliente al: 1-800-621-5485.)
- 1.9 No utilice el cargador si el mismo recibió un golpe fuerte, si se cayó o si sufrió daños de cualquier otra forma; hágalo revisar por una persona capacitada que efectúe reparaciones. (Comuníquese con el servicio al cliente al: 1-800-621-5485.)
- 1.10 No desarme el cargador; hágalo revisar por una persona capacitada que efectúe reparaciones cuando necesite servicio de mantenimiento o una reparación. Volver a ensamblar el cargador en forma incorrecta puede provocar riesgo de incendio o descarga eléctrica. (Comuníquese con el servicio al cliente al: 1-800-621-5485.)

2. PRECAUCIONES PERSONALES



Riesgo de gases explosivos.

- 2.1 Resulta peligroso trabajar en forma cercana a una batería de plomo. Las baterías generan gases explosivos durante su normal funcionamiento. Por este motivo, resulta de suma importancia que siga las instrucciones cada vez que utiliza el cargador.
- 2.2 Para reducir el riesgo de explosión de una batería, siga estas instrucciones y aquellas publicadas por el fabricante de la batería y por el fabricante de cualquier equipo que intente utilizar en la proximidad de la batería. Revise las pautas de precaución en estos productos y en el motor.
- 2.3 NUNCA fume o permita la presencia de chispas o llamas en la proximidad de una batería o motor.
- 2.4 Tenga especial cuidado para reducir el riesgo de dejar caer una herramienta de metal sobre la batería. Esto podría provocar chispas o un cortocircuito en la batería o en cualquier otra pieza eléctrica que podría provocar una explosión.
- 2.5 Utilice este cargador solamente para cargar baterías de PLOMO-ÁCIDO. Este cargador no está destinado a suministrar energía a sistemas eléctricos de baja tensión más que en una aplicación de un motor de arranque. No utilice este cargador de batería para cargar baterías de pila seca que por lo general se utilizan con artefactos domésticos. Estas baterías podrían explotar y provocar lesiones a personas o daño a la propiedad.
- 2.6 NUNCA cargue una batería congelada.
- 2.7 NUNCA sobrecargue una batería.

3. PREPARACIÓN PARA LA CARGA



**Riesgo de contacto con el ácido de la batería.
El ácido de la batería es un ácido sulfúrico
altamente corrosivo.**

- 3.1 Considere la idea de que alguna persona se encuentre cerca suyo para poder ayudarlo cuando trabaje en forma cercana a una batería de plomo-ácido.
- 3.2 Cuenté con una gran cantidad de agua potable y jabón a mano en caso de que el ácido de la batería tenga contacto con su piel, ropa u ojos.
- 3.3 Utilice protección visual y corporal completa, incluyendo gafas de seguridad y prendas de protección. Evite tocar sus ojos mientras trabaje en forma cercana a la batería.
- 3.4 Si el ácido de la batería tiene contacto con su piel o su ropa, lave de inmediato el área afectada con agua y jabón. En caso de que ingrese ácido en un ojo, sumerja el mismo de inmediato bajo agua potable corriente por al menos 10 minutos y obtenga atención médica en forma inmediata.
- 3.5 Si el ácido de la batería es accidentalmente ingerido, se recomienda beber leche, clara de huevo o agua. NO provoque vómito. Busque ayuda médica de inmediato.

- 3.6 Si resulta necesario extraer la batería del vehículo para cargarla, siempre retire el terminal con descarga a tierra en primer lugar. Asegúrese de que todos los accesorios en el vehículo se encuentren apagados para evitar la formación de arcos eléctricos.
- 3.7 Asegúrese de que el área que rodea a la batería se encuentre bien ventilada mientras se carga la batería.
- 3.8 Limpie los terminales de la batería antes de cargar la batería. Durante la limpieza, evite que la corrosión producida por aire tenga contacto con sus ojos, nariz y boca. Utilice bicarbonato de sodio y agua para neutralizar el ácido de la batería y ayude a eliminar la corrosión producida por aire. No toque sus ojos, nariz o boca.
- 3.9 Agregue agua destilada a cada pila hasta que el ácido de la batería alcance el nivel especificado por el fabricante de la batería. No provoque derrames. En lo que concierne a baterías que no cuentan con tapas extraíbles para pilas, tales como baterías de plomo-ácido reguladas por válvulas (VRLA, por sus siglas en inglés), siga cuidadosamente las instrucciones de recarga del fabricante.
- 3.10 Lea, comprenda y siga todas las instrucciones para el cargador, la batería, el vehículo y cualquier equipo que se utilice cerca de la batería y el cargador. Controle todas las precauciones específicas establecidas por el fabricante de la batería al realizar la carga, así también como los índices de carga recomendados.
- 3.11 Determine la tensión de la batería al consultar el manual del usuario del vehículo y asegúrese de que el interruptor de selección de la tensión de salida se encuentre establecido en la tensión correcta. Si el cargador posee un índice de carga ajustable, cargue la batería en el menor índice en primer lugar.
- 3.12 Asegúrese de que los ganchos del cable del cargador se encuentren fuertemente conectados.

4. UBICACIÓN DEL CARGADOR



Riesgo de contacto con el ácido de la batería.

- 4.1 Ubique el cargador a la mayor distancia posible de la batería como lo permitan los cables de CC.
- 4.2 Nunca ubique el cargador directamente por encima de la batería que se carga; los gases de la batería corroerán y dañarán el cargador.
- 4.3 No ubique la batería encima del cargador.
- 4.4 Nunca permita que el ácido de la batería gotee sobre el cargador al leer el peso específico del electrolito o al cargar la batería.
- 4.5 No utilice el cargador en un área cerrada o restrinja la ventilación en cualquier forma.

5. PRECAUCIONES DE CONEXIÓN EN CC

- 5.1 Conecte y desconecte los ganchos de salida CC sólo después de haber establecido todos los interruptores del cargador a la posición de "apagado" y de haber desconectado el enchufe de C.A. del tomacorriente eléctrico. Nunca permita que los ganchos tengan contacto entre sí.
- 5.2 Sujete los ganchos a la batería y al chasis, como se indica en las secciones 6 y 7.

6. SIGA ESTOS PASOS CUANDO LA BATERÍA ESTÉ COLOCADA EN EL VEHÍCULO.



Una chispa provocada cerca de la batería puede causar la explosión de la batería. Para reducir el riesgo de provocar chispas cerca de la batería:

- 6.1 Ubique los cables de C.A. y C.C. para reducir el riesgo de daños a la cubierta, a la puerta y a las piezas móviles o calientes del motor. NOTA: Si es necesario cerrar el cofre durante el proceso de carga, asegúrese que el cofre no toque parte metálica de la batería o pele los cables.
- 6.2 Manténgase alejado de las paletas del ventilador, correas, poleas y otras piezas que podrían provocar lesiones.
- 6.3 Verifique la polaridad de los bornes de la batería. El borne POSITIVO (POS, P, +) de la batería generalmente posee un diámetro mayor al borne NEGATIVO (NEG, N, -).
- 6.4 Determine qué borne de la batería hace descarga a tierra (se encuentra conectado) con el chasis. Si el borne negativo hace descarga a tierra con el chasis (como en la mayor parte de los vehículos), ver el paso 6.5. Si el borne positivo hace descarga a tierra con el chasis, ver el paso 6.6.
- 6.5 En un vehículo con descarga a tierra por borne negativo, conecte el gancho POSITIVO (ROJO) del cargador de batería al borne POSITIVO (POS, P, +) sin descarga a tierra de la batería. Conecte el gancho NEGATIVO (NEGRO) al chasis del vehículo o al bloque motor alejado de la batería. No conecte el gancho al carburador, líneas de combustible o cuerpos metálicos. Conecte a una pieza metálica de calibre grueso del marco o del bloque motor.
- 6.6 En un vehículo con descarga a tierra por borne positivo, conecte el gancho NEGATIVO (NEGRO) del cargador de batería al borne NEGATIVO (NEG, N, -) sin descarga a tierra de la batería. Conecte el gancho POSITIVO (ROJO) al chasis del vehículo o al bloque motor alejado de la batería. No conecte al carburador, líneas de combustible o cuerpos metálicos. Conecte a una pieza metálica de calibre grueso del marco o del bloque motor.
- 6.7 Al desconectar el cargador, apague todos los interruptores, desconecte el cable de CA, retire el gancho del chasis del vehículo y luego retire el gancho del terminal perteneciente a la batería.
- 6.8 Ver la sección CÁLCULO DEL TIEMPO DE CARGA por la información sobre la duración de carga.

7. SIGA ESTOS PASOS CUANDO LA BATERÍA SE ENCUENTRE FUERA DEL VEHÍCULO.



Una chispa provocada cerca de la batería puede causar la explosión de la batería. Para reducir el riesgo de provocar chispas cerca de la batería:

- 7.1 Verifique la polaridad de los bornes de la batería. El borne POSITIVO (POS, P, +) de la batería generalmente posee un diámetro mayor al borne NEGATIVO (NEG, N, -).
- 7.2 Sujete al menos un cable aislado de batería de 24 pulgadas (61 cm) de largo con calibre 6 según el Calibre americano de cables (AWG, por sus siglas en inglés) al borne NEGATIVO (NEG, N, -) de la batería.

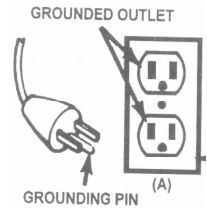
- 7.3 Conecte el gancho POSITIVO (ROJO) del cargador al borne POSITIVO (POS, P, +) de la batería.
- 7.4 Ubíquese junto con el extremo libre del cable que previamente sujetó al borne NEGATIVO (NEG, N, -) de la batería a la mayor distancia posible de la batería. Luego conecte el gancho NEGATIVO (NEGRO) del cargador al extremo libre del cable.
- 7.5 No se ubique en posición frontal a la batería al realizar la conexión final.
- 7.6 Al desconectar el cargador, siempre hágalo en forma inversa al procedimiento de conexión y realice la primera conexión tan lejos de la batería como sea posible.
- 7.7 Una batería marina (para barcos) se debe retirar y cargar en tierra. Para realizar una carga a bordo se necesitan equipamientos especialmente diseñados para uso marino.

8. CARGA DE BATERÍA, CONEXIONES DE CA



El riesgo de descarga eléctrica o incendio

- 8.1 Este cargador de batería está destinado a un uso en un circuito con tensión nominal de 120 V y posee un enchufe con descarga a tierra que luce como el enchufe ilustrado. El cargador debe poseer una descarga a tierra para reducir el riesgo de descargas eléctricas. El enchufe se debe conectar a un tomacorriente adecuadamente instalado y que cuente con descarga a tierra de acuerdo con todas las ordenanzas y códigos. Los pasadores del enchufe deben adaptarse al receptáculo (tomacorriente). No utilizar con un sistema que no posea descarga a tierra.



- 8.2 Nunca altere el cable o enchufe de C.A. suministrado, si no se ajusta al tomacorriente, haga instalar un tomacorriente adecuado con descarga a tierra por medio de un electricista capacitado. Una conexión inadecuada puede provocar un riesgo de descarga eléctrica o electrocución. **NOTA:** De acuerdo a las Leyes Canadienses, el uso de un enchufe adaptador no es permitido en el Canada. Y el uso de un enchufe adaptador no es recomendable en Los Estados Unidos de América.

8.3 Tamaño AWG mínimo recomendado para alargadore:

Consumo nominal de C.A., Amperes*		Tamaño del cable en AWG, Longitud del cable, en pies (metros)			
Al menos	Pero menor a	25 (7.6)	50 (15.2)	100 (30.5)	150 (45.6)
0	2	18	18	18	16
2	3	18	18	16	14
3	4	18	18	16	14
4	5	18	18	14	12
5	6	18	16	14	12
6	8	18	16	12	10
8	10	18	14	12	10
10	12	16	14	10	8
12	14	16	12	10	8
14	16	16	12	10	8
16	18	14	12	8	8
18	20	14	12	8	6

*Si el consumo nominal del cargador se expresa en vatios en lugar de amperes, el consumo en amperes correspondiente se determinará dividiendo el consumo en vatios por el consumo en tensión, por ejemplo:

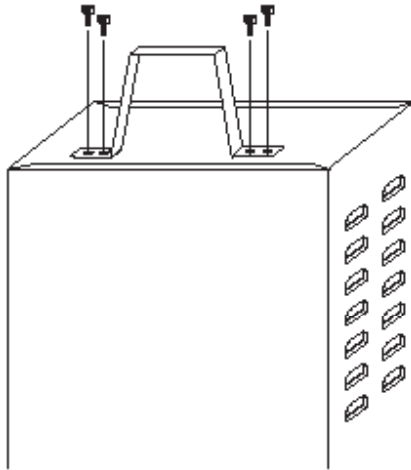
$$1200 \text{ watts}/120 \text{ volts} = 10 \text{ amperes}$$

9. INSTRUCCIONES DE MONTAJE

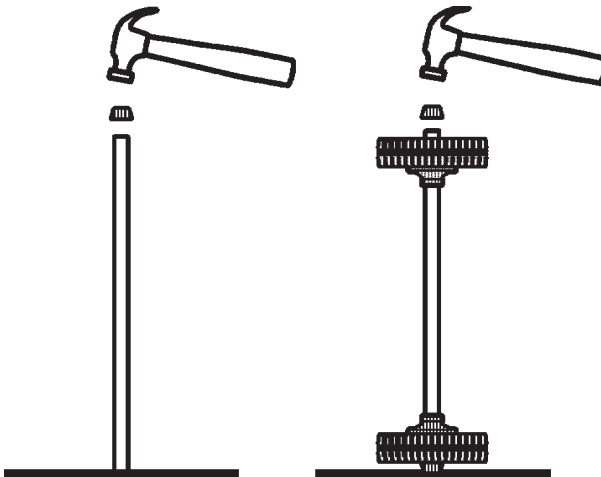
- 9.1 Es importante ensamblar por completo el cargador antes de utilizar. Siga estas instrucciones para el montaje.

PIEZAS	HERRAMIENTAS NECESARIAS
(2) tornillos con rosca cortante 10-32	llave de 3/8" (para montaje del pie)
(4) tornillos con rosca cortante 1/4-20	llave de 5/16" (para montaje de las ruedas)
(4) tornillos metálicos de cabeza de cruz	martillo
(2) ruedas	destornillador (de pala)
(1) eje	destornillador (Phillips)
(2) tapas de eje	
(2) abrazaderas de eje	
(1) manivela	
(1) pie	
(1) con agarradera de forro de plástico (no se incluyen con las unidades)	

- 9.2 Acople el pie:** retire el cargador de los materiales de embalaje y ubíquelo en forma invertida sobre una superficie plana. Acople el pie y asegúrelo con los cuatro tornillos de rosca cortante de ¼-20 que se suministran.

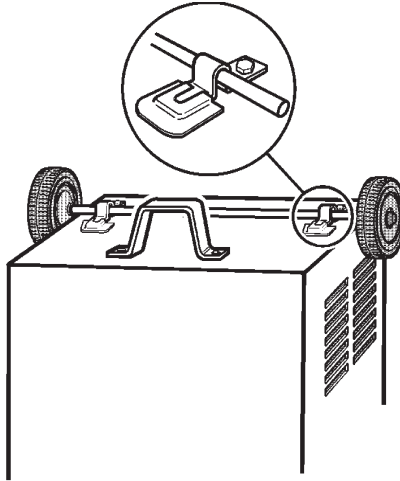


- 9.3 Ensamble las ruedas y el eje:** mantenga el eje en posición vertical sobre el piso o sobre la superficie de trabajo. Luego, con un martillo, inserte una de las tapas de eje en el extremo superior del eje. Asegúrese de insertar la tapa de eje en forma recta. Deslice ambas ruedas por el eje con los cubos empotrados hacia afuera como se muestra en la figura. Instale la segunda tapa de eje.

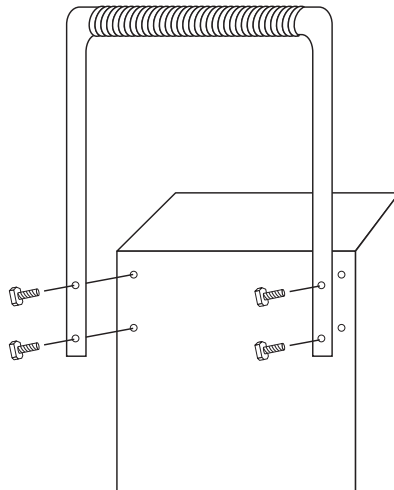


- 9.4 Ensamble el eje al cargador:** ubique un extremo de cada abrazadera en la ranura que se encuentra en la parte inferior del cargador. Ubique la unidad del eje debajo de cada abrazadera. Acople las abrazaderas por medio de los dos tornillos de rosca cortante de 10-32 que se suministran.

NOTA: Tenga cuidado de no tirar las abrazaderas contenidas en la caja del cargador.



- 9.5 Ajuste la agarradera:** Si el cargador viene con un forro de plástico, deslícelo en la agarradera hasta que quede bien centrado en la parte de arriba. Coloque el cargador en forma horizontal sobre el soporte y las ruedas. Proceda alineando la agarradera, de manera que los orificios de los tornillos coincidan con los perforados en las esquinas del cargador. Sujete la agarradera con los tornillos de cruz.



10. PANEL DE CONTROL

NOTA: No todos los interruptores y LED se encuentran disponibles en todos los modelos.

Interruptor de selección de índice de carga

Utilice el interruptor de selección de índice de carga para seleccionar el índice de carga o la configuración inicial del motor que necesite.

- **Índice de carga lenta 2A:** destinado a la carga de baterías pequeñas tales como aquellas habitualmente utilizadas en tractores para jardín, motos de nieves y motocicletas.
- **Índice de carga rápido 10A, 15A, 20A, 30A y veloz 35A, 40A, 44A, 50A, 60A, 80A:** utilice para la carga de baterías de automóviles, marinas y de ciclo profundo. No utilizar en aplicaciones industriales.
- **Arranque de motor 100A, 125A, 180A, 200A, 225A, 300A:** proporciona **100, 125, 180, 200, 225, 300** amperes para el arranque de un motor con una batería débil o agotada. Siempre utilizar en combinación con una batería.

Temporizador (No es aplicable al modelo SE-2352)

- **Configuración del temporizador:** el temporizador le permite establecer un horario específico para la carga. Una vez vencido el plazo del temporizador, el cargador detiene la carga de la batería. La función principal del temporizador es evitar una sobrecarga además de permitir que el tiempo de la batería obtenga una carga satisfactoria. Para establecer correctamente el temporizador, se debe conocer el tamaño de la batería en amperes horas o capacidad de reserva en minutos y el estado de carga. Es importante que determine el estado de carga adecuado a su batería como se especifica en la Sección 12 y que establezca el temporizador adecuadamente.
- **Hold (Suspensión):** esta posición anula la función del temporizador, permitiendo un funcionamiento continuo. Asegúrese de monitorear el proceso de carga y detenerlo cuando la batería ya esté cargando. El dejar de realizar este último procedimiento podría provocar daños a la batería o podría provocar otros daños personales a la propiedad o lesiones a personas.

Amperímetro

El amperímetro indica la cantidad de corriente, medida en amperes, es decir la corriente consumida por la batería. A medida que la batería se carga, consume menos corriente del cargador. Correspondientemente el medidor mostrará menos corriente absorbida por la batería. Cuando la corriente para de descender, la batería ya está cargada. El área de inicio del medidor indica un alto índice de corriente consumido por el cargador. Al arrancar un motor, la aguja del motor se encontrará en el extremo del lado derecho del área de inicio. El índice de carga de 2 amperes podría indicar actividad en el medidor a pesar de que este último no cuente con la resolución para presentar este reducido índice.

- **Porcentaje de carga**

El porcentaje de la escala de carga tiene el propósito de servir como una ayuda visual para contribuir en la lectura del estado de carga. Para el índice de carga de 2 amperes utilice el triángulo. El porcentaje de carga se basa en la corriente consumida por la batería. Por esta razón, la precisión variará con el tamaño y tipo de batería. Esto significa que la indicación para una batería de grandes dimensiones completamente cargada será de un poco menos del 100%.

Para el modelo SE-2352 en necesario usar los 2 botones selectores.

- Conmutador No. 1 – Use este conmutador para seleccionar el Arranque de Motor a 200 amperes y el índice de Carga de 35 amperes. El Conmutador No. 2 tiene que estar en posición hacia abajo (Select Position) cuando se usa el Conmutador No. 1.
- Conmutador No. 2 – Use este conmutador para seleccionar la tasa de Carga de 2 amperes y la posición OFF. Úselo también para seleccionar el uso del Conmutador No. 1. Nótese que el Conmutador No. 1 funciona solamente cuando el Conmutador No. 2 est puesto en “Select Position”.

Interruptor del Probador de Carga en la Bateria (Modelo SE-8050 solamente)

Utilice este interruptor para probar la carga de la batería.

Interruptor de Probador de Bateria (Modelo SE-2254 y SE-4022 solamente)

Utilice este interruptor para probar baterías de 6 volts y baterías de 12 volts.

Interruptor Selector de voltaje

Active este interruptor para programar la escala del voltímetro a 6 ó 12 volts de CC para anivelar la batería o baterías a ser cargadas. NOTA: Este no carga la salida de voltaje del cargador.

Voltímetro

El voltímetro indica la tensión en las pinzas de la batería. El cargador no se necesita enchufar a un tomacorriente de C.A. El temporizador se debe establecer en la posición de APAGADO. Luego, conecte el cargador siguiendo las instrucciones de las secciones 6 y 7.

11. INSTRUCCIONES DE OPERACIÓN

Carga (Modelo SE-2352)

1. Asegúrese de que todas las piezas del cargador estén bien instaladas y en buenas condiciones para su función, incluyendo los protectores de plástico de las pinzas de la batería. Asegúrese que el electrolito (líquido de la batería) esté a nivel recomendable.
2. Coloque el selector de carga (selector #2) en la posición APAGADO.
3. Conectar la batería teniendo en cuenta las precauciones que figuran en las Secciones 6 y 7.
4. Conecte la energía eléctrica de C.A. teniendo en cuenta las precauciones que figuran en la Sección 8.
5. Dirija los selectores de índice de carga (selectores #1 y #2) en la posición preferida.
 - Para el índice de carga a 2 Amps, no use el botón #1, sino únicamente el #2.
 - Para el índice de carga a 35 Amps, ambos botones (#1 y #2) deben ser activados.
6. Para desconectar el cargador, proceda en forma reversible.

NOTA: Este es un cargador manual y sobrecarga la batería si se permite operar por largos periodos de tiempo. Supervise la carga muy a menudo.

Carga (Modelos SE-2254, SE-3000, SE-4020, SE-4022, SE-5025, SE-6030, SE-8050)

7. Asegúrese de que todas las piezas del cargador estén bien instaladas y en buenas condiciones para su función, incluyendo los protectores de plástico de las pinzas de la batería.
8. Conectar la batería teniendo en cuenta las precauciones que figuran en las secciones 6 y 7.
9. Seleccione las configuraciones apropiadas para la batería.
10. Conecte la energía eléctrica de C.A. teniendo en cuenta las precauciones que figuran en la sección 8.
11. Encender el cargador. (Sí necesario)

Utilizar la función de encendido de motor

El cargador de batería se puede utilizar para impulsar el auto si la batería está baja. Siga estas instrucciones de cómo utilizar la función ENGINE START (encendido de motor).

⚠ ADVERTENCIA

Siga todas las instrucciones y precauciones de seguridad para cargar la batería. Utilice protección ocular y de vestimenta. Cargue la batería en un área bien ventilada.

IMPORTANTE

Si utiliza la función ENGINE START SIN que la batería esté colocada en el vehículo podría dañar el sistema eléctrico del vehículo. NOTA: Si usted ya ha cargado la batería y aún no arranca el auto, no utilice la opción de arranque, porque esto podría dañar el sistema eléctrico del vehículo.

1. Coloque el interruptor de índice de carga y el temporizador a la posición OFF (apagado).
2. Con el cargador desenchufado del tomacorriente de CA, conecte el cargador a la batería siguiendo las instrucciones que figuran en la Sección 6 (SIGA ESTOS PASOS CUANDO LA BATERÍA ESTÉ COLOCADA EN EL VEHÍCULO).
3. Enchufe el cable de alimentación de C.A. del cargador al tomacorriente de C.A. y luego pase el interruptor del temporizador de la posición OFF (apagado) a HOLD (suspensión).
4. Con el cargador enchufado y conectado a la batería del vehículo pase el interruptor de selección de índice de carga a la posición engine start (encendido del motor).
5. Déle arranque al motor hasta que se ponga en marcha o que pasen 5 segundos. Si el motor no arranca espere 3 minutos antes de intentarlo de nuevo. Esto permite al cargador y la batería que se enfríen.

NOTA: Bajo clima frío extremo o si la batería es inferior a 2 volts, cargue la batería por 5 minutos antes de poner en marcha el motor.

6. Si el motor no arranca, cargue la batería por 5 minutos más antes de darle arranque nuevamente.
7. Después de que el motor se puso en marcha, cambie el interruptor de selección de índice de carga y el temporizador a la posición off (apagado) y desenchufe el cable de alimentación de C.A. antes de desconectar los ganchos de la batería del vehículo.
8. Limpie y guardel cargador en un lugar seco.

NOTA: Si el motor gira, pero no enciende, no existe un problema con el sistema de arranque, sino en cualquier otra parte del vehículo. DEJE de darle arranque al motor hasta que el otro problema se diagnostique y se corrija.

Usando el Probador de Voltaje de la Batería (Modelos SE-2254 y SE-4022 solamente)

1. Fije el interruptor del selector de voltaje al ajuste correcto (6V o 12V) para emparejar la batería a probarse.
2. Fije el medidor de tiempo a la posición de Off (Apagado)
3. Conecte la batería al cargador según lo especificado en secciones 6 y 7. El cargador no necesita ser conectado al tomacorriente de C.A.
4. Lea el voltímetro.

Tenga presente que esta observación solo es una lectura del voltaje de la batería, una carga falsa, puede engañarle. Sugerimos que encienda las luces por un par de minutos y espere otro par de minutos después de apagarlo, y antes de checar el medidor. Después, siga el color que muestre el código del medidor.

Uso del Probador de Carga de la Batería (Modelo SE-8050 solamente)

1. Fije el interruptor del selector de voltaje al ajuste correcto (6V o 12V) para localizar el tipo de batería a probarse.
2. Fije el medidor de tiempo a la posición de Off (Apagado)
3. Conecte la batería al cargador según lo especificado en secciones 6 y 7. El cargador no necesita ser conectado en el alimentador de corriente de C.A.
4. Presione el interruptor de prueba de la carga de la batería LOAD ON por 10 segundos y lea el voltímetro.

Verde- Indica que la capacidad de la batería es ACEPTABLE. La batería puede o no puede estar cargada completamente. Compruebe la gravedad específica para determinar el estado de carga. Si la gravedad específica muestra menos de la carga completa, asegúrese de que no existe escape de carga en la batería o algún problema en el sistema de carga. Recargue la batería a carga completa.

Amarillo o Rojo pero la aguja continúa inmóvil-indica que la capacidad de la batería no es satisfactoria. La batería podría estar defectuosa o no cargada completamente. Compruebe la gravedad específica de la batería para serciorarse de la condición existente. Si la carga no puede completarse, quiere decir que la batería debe ser reemplazada.

Amarillo o Rojo pero la aguja continúa bajando-Indica que la batería puede estar defectuosa o muerta. Deslice el interruptor de selección de carga y observe la reacción del voltímetro. La recuperación de voltaje en el verde o arriba e cuestión de segundos, indica que la batería está defectuosa. Una recuperación lenta, indica que la batería está muerta. Para obtener mejores resultados, compruebe la gravedad de la batería.

Notas generales sobre la carga

Ventilador: Es normal que el ventilador esté encendido todo el tiempo. Mantener el área cerca del cargador sin obstrucciones para permitir que el ventilador funcione eficazmente.

12. CÁLCULO DE TIEMPO DE CARGA

El método hidrómetro o electrónico

Para saber el tiempo que se necesita para una carga completa de la batería, determine el nivel de carga de la batería con un probador hidrómetro o electrónico del porcentaje de la carga. La siguiente tabla le ayudará a convertir los registros del hidrómetro en porcentajes de los valores de carga.

PESO ESPECÍFICO	PORCENTAJE DE CARGA	PORCENTAJE DE LA CARGA NECESARIA
1.265	100%	0%
1.225	75%	25%
1.155	25%	75%
1.120	0%	100%

Cuando conoce el porcentaje de carga y el índice de amperio por hora (Ah) de su batería, puede calcular el tiempo aproximado necesario para que la batería alcance una carga completa.

Para convertir la capacidad de reserva en amperes por hora, divida la capacidad de reserva por 2 y sume 16:

Ejemplo:

$$\text{Índice de amperio por hora} = \frac{\text{Capacidad de reserva} + 16}{2}$$

NOTA: La capacidad de reserva se puede obtener de la hoja de especificación de la batería o del manual del usuario.

Para calcular el tiempo que se necesita para una carga:

1. Calcule el porcentaje de carga necesario. (Una batería al 50% de la carga que se cargará al 100% necesita otro 50% (50)).
2. Multiplique el índice de amperes por hora por la carga necesaria (0,50) y divida por las configuraciones del índice de carga.
3. Multiplique los resultados por 1,25 y obtendrá el tiempo total necesario, en horas, para dejar la batería totalmente cargada.
4. Suma una hora adicional para una batería de ciclo profundo.

Ejemplo:

$$\frac{\text{Índice de amperio por hora} \times \% \text{ de la carga necesaria}}{\text{Configuraciones del cargador}} \times 1,25 = \text{horas de carga}$$

$$\frac{100 \text{ (índice Ah)} \times 0,50 \text{ (carga necesaria)}}{20 \text{ (Configuraciones del cargador)}} \times 1,25 = 3,125 \text{ horas}$$

$$\frac{100 \times 0,50}{20} \times 1,25 = 3,125$$

Necesitará cargar la batería de 100 amperes por hora por un poco más de 3 horas a un índice de carga de 20 amperes utilizando el ejemplo anterior.

El método del gráfico

Utilice la siguiente tabla para determinar con mayor exactitud el tiempo que le llevará completar la carga de la batería. En primer lugar, identifique dónde se encuentra su batería dentro del gráfico.

NR significa que las configuraciones del cargador NO SE RECOMIENDAN.

Encuentre el índice de su batería en el gráfico a continuación y observe el tiempo de carga que corresponde por cada configuración del cargador. Los tiempos que se informan son para baterías con un 50% de carga antes de volver a cargar. Agregue más tiempo para las baterías que se descargaron varias veces.

TAMAÑO/ÍNDICE DE LA BATERÍA		ÍNDICE/TIEMPO DE CARGA											
		2 AMP	5 AMP	10 AMP	15 AMP	20 AMP	30 AMP	35 AMP	40 AMP	50 AMP	60 AMP	80 AMP	
BATERÍAS PEQUEÑAS	6 - 12 Ah	2 - 3 ³ / ₄ horas	3 ¹ / ₄ - 1 ¹ / ₂ horas	NR	NR	NR	NR	NR	NR	NR	NR	NR	NR
	Motocicleta, tractor de jardín, etc.	3 ³ / ₄ - 10 horas	1 ¹ / ₂ - 4 horas	NR	NR	NR	NR	NR	NR	NR	NR	NR	NR
AUTO/ CAMIONES	200 - 315 CCA	40 - 60 RC	11 ¹ / ₄ - 14 ¹ / ₂ horas	2 ¹ / ₄ - 3 horas	1 ¹ / ₂ - 2 horas	1 - 1 ¹ / ₂ horas	3 ³ / ₄ - 1 hr.	40 - 50 minutos	1 ¹ / ₂ - 3 ³ / ₄ horas	23 - 29 minutos	25 - 35 minutos	17 - 22 minutos	
	315 - 550 CCA	60 - 85 RC	14 ¹ / ₂ - 18 ¹ / ₄ horas	3 - 3 ³ / ₄ horas	2 - 2 ¹ / ₂ horas	1 ¹ / ₂ - 2 horas	1 - 1 ¹ / ₄ horas	50 - 60 minutos	3 ³ / ₄ - 1 hr.	29 - 37 minutos	1 ¹ / ₂ - 3 ³ / ₄ hr.	22 - 28 minutos	
	550 - 1000 CCA	85 - 190 RC	18 ¹ / ₄ - 34 ³ / ₄ horas	7 ¹ / ₂ - 14 horas	3 ³ / ₄ - 7 horas	2 ¹ / ₂ - 4 ¹ / ₂ horas	2 - 3 ¹ / ₂ horas	1 ¹ / ₄ - 2 ¹ / ₄ horas	1 - 2 horas	1 - 1 ¹ / ₄ horas	37 - 70 minutos	28 - 52 minutos	
MARINA/CICLO PROFUNDO	80 RC	17 ¹ / ₂ horas	7 horas	3 ¹ / ₂ horas	2 ¹ / ₄ horas	1 ³ / ₄ horas	NR	NR	NR	NR	NR	NR	
	140 RC	27 horas	10 ³ / ₄ horas	5 ¹ / ₂ horas	3 ³ / ₄ horas	2 ³ / ₄ horas	NR	NR	NR	NR	NR	NR	
	160 RC	30 horas	12 horas	6 horas	4 horas	3 horas	NR	NR	NR	NR	NR	NR	
	180 RC	33 horas	13 ¹ / ₄ horas	6 ¹ / ₂ horas	4 ¹ / ₂ horas	3 ¹ / ₄ horas	NR	NR	NR	NR	NR	NR	

13. INSTRUCCIONES DE MANTENIMIENTO

- 13.1 Después de usar y antes de realizar mantenimiento, desenchufe y desconecte el cargador de la batería (ver Secciones 6, 7 y 8).
- 13.2 Utilice un paño seco para limpiar la corrosión de toda la batería y otra suciedad o aceite de los terminales, cables y carcasa del cargador.
- 13.3 Asegúrese de que todas las piezas del cargador estén bien instaladas y en buenas condiciones para su función, incluyendo los protectores de plástico de las pinzas de la batería.
- 13.4 Para realizar mantenimiento no es necesario abrir la unidad, ya que no existen piezas a las cuales puede realizarle mantenimiento el usuario.

14. INSTRUCCIONES DE ALMACENAJE

- 14.1 Guardel cargador desenchufado en posición vertical. El cable seguirá conduciendo electricidad hasta que se desenchufe del toma.
- 14.2 Almacene en el interior, en un lugar fresco y seco (a menos que esté utilizando un cargador marino integrado).
- 14.3 No guarde los ganchos en asas, enganchados entre sí, en o cerca de metales o enganchados en cables.

15. LOCALIZACIÓN Y SOLUCIÓN DE PROBLEMAS

PROBLEMA	POSIBLE CAUSA	SOLUCIÓN
No se manifiesta la lectura en el amperímetro.	Cargador desenchufado.	Enchufe el cargador a un tomacorriente de C.A.
	No hay electricidad en el tomacorriente.	Verifique la posible presencia de fusibles abiertos o disyuntores que suministren energía al tomacorriente de C.A.
	Los ganchos no se encuentran bien conectados a la batería.	Verifique la posible presencia de una conexión defectuosa a la batería o al bastidor. Asegúrese de que los puntos de conexión estén limpios. Mueva los ganchos hacia adelante y hacia atrás para lograr una mejor conexión.
	Las conexiones se encuentran invertidas.	Desenchufe el cargador e invierta los ganchos.
	Batería defectuosa (no acepta una carga).	Haga revisar la batería.
	Se utiliza un índice de carga de 2 amperes.	El amperímetro podría dejar de mostrar actividad en el índice de carga de mantenimiento.

PROBLEMA	POSIBLE CAUSA	SOLUCIÓN
La lectura en el amperímetro permanece elevada.	<p>La batería se encuentra extremadamente descargada.</p> <p>Tensión de batería errónea.</p>	<p>Continúe con la carga de la batería por dos horas más. Si persiste algún problema, haga revisar la batería.</p> <p>Verifique que los ajustes del voltaje o los grados de salida en el cargador estén correctos.</p>
El amperímetro lee una cantidad menor al índice de carga seleccionado cuando se carga una batería descargada.	<p>El alargador es demasiado largo o el calibre del cable es demasiado pequeño.</p> <p>Batería débil o placa sulfatada en la batería.</p> <p>La batería se encuentra sólo parcialmente descargada.</p>	<p>Utilice un alargador de calibre más pequeño o pesado.</p> <p>Una batería sulfatada finalmente acepta una carga normal si se la deja conectada. Si la batería no acepta la carga, hágala revisar.</p> <p>Continúe con la carga de la batería.</p>
Se escucha un sonido seco en el cargador ("clic").	<p>El disyuntor se resetea.</p> <p>Batería defectuosa.</p> <p>Cables o ganchos de la batería en cortocircuito.</p> <p>Buena batería pero extremadamente descargada.</p> <p>Conexiones inversas en la batería.</p>	<p>Las configuraciones podrían ser erróneas. Verifique las configuraciones del cargador.</p> <p>Haga revisar la batería.</p> <p>El disyuntor se resetea cuando el consumo de corriente es demasiado elevado. Controle la posible presencia de cables o ganchos cortocircuitados y reemplace los mismos de ser necesario.</p> <p>La batería tal vez no decida aceptar una carga debido a un estado de agotamiento. Permita que la carga continúe hasta que la batería tenga la oportunidad de recuperarse lo suficientemente como para aceptar una carga. Si este período se extiende a más de 20 minutos, detenga la carga y haga revisar la batería.</p> <p>Apague el cargador y corrija las conexiones principales.</p>
El cargador realiza un fuerte zumbido.	<p>Las láminas del transformador vibran (provocan un zumbido).</p> <p>Montaje del diodo o montaje del rectificador de salida cortocircuitado (provocan un zumbido).</p>	<p>No es un problema, es una situación habitual.</p> <p>Haga revisar el cargador por un técnico capacitado.</p>

PROBLEMA	POSIBLE CAUSA	SOLUCIÓN
Ciclo reducido o sin inicio al arrancar el motor.	<p>Consumo mayor a el índice de arranque del motor.</p> <p>No espera 3 minutos (180 segundos) entre los arranques.</p> <p>Los ganchos no se encuentran bien conectados.</p> <p>Cable de C.A. o alargador suelto.</p> <p>No hay electricidad en el tomacorriente.</p> <p>El cargador podría encontrarse en estado de recalentamiento.</p> <p>La batería podría encontrarse severamente descargada.</p>	<p>El tiempo de arranque varía según la cantidad de corriente consumida. Si el arranque consume más el índice de arranque del motor, el tiempo de arranque podría ser menor a 3 segundos.</p> <p>Aguarde 3 minutos en tiempo de descanso antes del próximo arranque.</p> <p>Verifique la posible presencia de una conexión defectuosa en la batería y en el bastidor.</p> <p>Verifique la posible pérdida del enchufe perteneciente a los cables de alimentación o al alargador.</p> <p>Verifique la posible presencia de fusibles abiertos o disyuntores que suministren energía al tomacorriente de C.A.</p> <p>El protector térmico podría encontrarse desconectado y necesitar un mayor tiempo de descanso. Asegúrese de que los ventiladores del cargador no se encuentren bloqueados. Espere un momento y pruebe nuevamente.</p> <p>En una batería extremadamente descargada, cargue por 10 a 15 minutos en el índice de carga manual para contribuir al arranque.</p>
El cargador no se enciende incluso al estar bien conectado.	<p>Tomacorriente de C.A. fuera de funcionamiento.</p> <p>Conexión eléctrica deficiente.</p>	<p>Controle la posible presencia de fusibles abiertos o disyuntores que suministren energía al tomacorriente de C.A.</p> <p>Controle la posible pérdida del enchufe perteneciente a los cables de alimentación o al alargador.</p>

PROBLEMA	POSIBLE CAUSA	SOLUCIÓN
La batería se encuentra conectada y el cargador encendido, pero no carga	Los ganchos no se encuentran bien conectados	Controle la posible presencia de una conexión defectuosa a la batería o al bastidor. Asegúrese de que los puntos de conexión estén limpios. Mueva los ganchos hacia adelante y hacia atrás para lograr una mejor conexión.
La corriente medida es mucho menor a la seleccionada.	El cargador alcanzó su máxima tensión y está reduciendo la corriente.	No es un problema, es una situación habitual.

16. ANTES DE DEVOLVER A REPARACIONES

- 16.1** Cuando surja un problema de carga, asegúrese de que la batería puede recibir una carga normal. Utilice una buena batería para verificar dos veces todas las conexiones, el toma de C.A. para obtener 120-volts completos, los ganchos del cargador para lograr una polaridad correcta y la calidad de las conexiones de los cables a los ganchos y de los ganchos al sistema de la batería. Los ganchos deben estar limpios.
- 16.2** Cuando la batería está muy fría, parcialmente cargada o sulfatada no obtendrá todo el índice de amperes del cargador. Es peligroso y perjudicial para la batería forzar un amperaje mayor al que puede utilizar efectivamente en una recarga.
- 16.3** Cuando surja un PROBLEMA DE FUNCIONAMIENTO DESCONOCIDO, por favor lea todo el manual y comuníquese con el número de atención al cliente para más información que no haga falta la devolución.

Si las soluciones descritas no eliminan el problema o por información sobre la solución de problemas o repuestos, puede llamar a la línea gratuita desde cualquier lugar de los EE.UU.

1-800-621-5485

7:00 a. m. a 5:00 p. m. hora central de lunes a viernes

17. GARANTÍA LIMITADA

SCHUMACHER ELECTRIC CORPORATION, 801 BUSINESS CENTER DRIVE, MOUNT PROSPECT, IL 60056-2179, REALIZA LA PRESENTE GARANTÍA LIMITADA AL COMPRADOR MINORISTA ORIGINAL DE ESTE PRODUCTO. LA PRESENTE GARANTÍA LIMITADA NO PUEDE TRANSFERIRSE NI CEDERSE.

Schumacher Electric Corporation (el "Fabricante") otorga garantía por este cargador de batería por un plazo de 3 años contados a partir de la fecha de compra por menor por la existencia de cualquier material o de mano de obra defectuosos que pudieran surgir por su uso y cuidado normal. Si su unidad cuenta con material defectuoso o defectos de mano de obra, la obligación de los Fabricantes, conforme a la presente garantía, será simplemente reparar o sustituir el producto por uno nuevo o por una unidad reparada, a elección del fabricante. Es obligación del comprador enviar la unidad junto con los gastos de envío prepagos al fabricante o a sus representantes autorizados para que ésta se pueda reparar o reemplazar.

El Fabricante no presta garantía por lo accesorios utilizados con este producto que no sean los fabricados por Schumacher Electric Corporation y que no estén aprobados para su uso con este producto. La presente Garantía

Limitada será nula si el producto se utiliza en forma errónea, se trata de manera inadecuada, es reparado o modificado por personas que nos sean el Fabricante o si esta unidad es revendida a través de un vendedor minorista no autorizado.

El Fabricante no realiza ninguna otra garantía, incluidas, a título enunciativo, las garantías expresas, implícitas o legales, incluidas, a modo de ejemplo, las garantías implícitas de comerciabilidad o adecuación a un fin específico. Asimismo, el Fabricante no será responsable ante reclamos por daños accidentales, especiales ni directos en los que incurran los compradores, usuarios u otras personas asociadas al producto, incluidas, a título enunciativo, los ingresos y ganancias no percibidos, ventas anticipadas, oportunidades comerciales, el buen nombre, la interrupción de la actividad comercial o cualquier otro daño que haya provocado. Todas las garantías, excepto la garantía limitada incluida en el presente, por medio de la presente, quedan expresamente anuladas y excluidas. Algunos estados no permiten la exclusión ni la limitación de los daños accidentales ni directos o el plazo de garantía implícita, por lo que las limitaciones o exclusiones mencionadas anteriormente podrían no corresponder con su caso. La presente garantía le otorga derechos legales específicos y es probable que usted cuente con otros derechos que podrían diferir de los incluidos en la presente garantía.

LA PRESENTE GARANTÍA LIMITADA ES LA ÚNICA GARANTÍA LIMITADA EXPRESA Y EL FABRICANTE NO ASUME NI AUTORIZA A NADIE A ASUMIR O A ADQUIRIR NINGUNA OTRA OBLIGACIÓN RESPECTO DEL PRODUCTO QUE NO SEA LA PRESENTE GARANTÍA.

**Servicio de atención al cliente de Schumacher Electric Corporation
1-800-621-5485**

Lunes-viernes 7:00 a. m. a 5.00 p. m. CST

Schumacher y el logo Schumacher son marcas registradas de
Schumacher Electric Corporation

Free Manuals Download Website

<http://myh66.com>

<http://usermanuals.us>

<http://www.somanuals.com>

<http://www.4manuals.cc>

<http://www.manual-lib.com>

<http://www.404manual.com>

<http://www.luxmanual.com>

<http://aubethermostatmanual.com>

Golf course search by state

<http://golfingnear.com>

Email search by domain

<http://emailbydomain.com>

Auto manuals search

<http://auto.somanuals.com>

TV manuals search

<http://tv.somanuals.com>