

# OWNER'S MANUAL

## Models

SF 2001, SF 4020,  
SF 4022, SF 6030, SF 8050

Important Instructions  
Save These Instructions

WORKING IN VICINITY OF A LEAD-ACID BATTERY IS DANGEROUS. BATTERIES GENERATE EXPLOSIVE GASES DURING NORMAL BATTERY OPERATION. FOR THIS REASON, IT IS OF UTMOST IMPORTANCE THAT EACH TIME BEFORE USING YOUR CHARGER, YOU READ THIS MANUAL AND FOLLOW THE INSTRUCTIONS EXACTLY.

## A. GENERAL BATTERY SAFETY

1. Before you use your battery charger, be sure to read all instructions and cautions printed on:

- Battery Charger
- Battery
- Vehicle or unit using battery

2. Use battery charger on LEAD ACID type rechargeable batteries only, such as used in autos, trucks, tractors, airplanes, vans, RV's, trolling motors, etc. Charger is not intended to supply power to low-voltage electrical system other than in an automotive application.

**WARNING:** Do not use battery charger for charging dry-cell batteries that are commonly used with home appliances. These batteries may burst and cause injury to persons and damage to property.

3. Use only attachments recommended or sold by manufacturer. Use of non-recommended attachments may result in fire, electric shock, or injury.
4. When disconnecting the battery charger, pull by the plug not by the cord. Pulling on the cord may cause damage to cord or plug.
5. Locate battery power cord so it cannot be stepped on, tripped over, or subjected to damage or stress.
6. Do not operate charger with damaged cord or plug. Have cord replaced immediately.
7. Do not operate charger if it has received a sharp blow, been dropped, or otherwise damaged in any way. Take it to a qualified professional for inspection and repair.
8. Do not disassemble charger. Take it to a qualified professional when service or repair is required. Incorrect reassembly may result in electric shock or fire.
9. To reduce risk of electric shock, unplug charger from outlet before attempting any maintenance or cleaning.
10. Do not use an extension cord unless absolutely necessary. Use of an improper extension cord could result in fire or

electric shock. If an extension cord must be used, make sure that:

- Pins on plug of extension cord are the same number, size, and shape as those of the plug on the charger.
- Extension cord is properly wired and in good electrical condition.
- Wire size is large enough for AC ampere rating of charger, as specified below:

<b>Length of cord (feet):</b>	<b>25</b>	<b>50</b>	<b>100</b>	<b>150</b>
<b>AWG size of cord:</b>	<b>16</b>	<b>12</b>	<b>10</b>	<b>8</b>
<small>(American Wire Gauge)</small>				

11. Always charge battery in a well ventilated area. **NEVER** operate in a closed-in or restricted area without adequate ventilation because of risk of explosive gases. **WARNING:** Risk of explosive gas.
12. Locate charger as far away from battery as DC charger cables permit.
13. Do not expose charger to rain or snow.
14. **NEVER** charge a frozen battery. If battery fluid (electrolyte) is frozen, bring into a warm area to thaw before charging.
15. **NEVER** allow battery acid to drip on charger when reading specific gravity or filling battery.
16. **NEVER** set a battery on top of charger.
17. **NEVER** place charger directly above battery being charged. Gases from battery will corrode and damage charger.
18. **NEVER** touch the battery clips together when the charger is energized. **WARNING:** Battery chargers get hot during operation and must have proper ventilation. Air needs to flow around entire charger. **Do not** set on flammable items like carpeting, upholstery, paper, cardboard, etc. Will damage leather and melt plastic and rubber.

• **IMPORTANT SAFETY INSTRUCTIONS** •  
• **SAVE THESE INSTRUCTIONS** •



**Schumacher**® ELECTRIC CORPORATION  
801 BUSINESS CENTER DRIVE • MOUNT PROSPECT, ILLINOIS 60056-2179

In Canada, for warranty claims and replacement, please return item to place of purchase during warranty period with receipt of purchase.

## B. PERSONAL PRECAUTIONS AND SAFETY

1. **WARNING:** Wear complete eye protection and clothing protection, when working with lead-acid batteries.
2. Make sure someone is within range of your voice or close enough to come to your aid when you work with or near a lead-acid battery.
3. Have plenty of fresh water and soap nearby for use if battery acid contacts skin, clothing, or eyes. If battery acid contacts skin or clothing, wash immediately with soap and water.
4. Avoid touching your eyes while working with a battery. Acid particles (corrosion) may get into your eyes! If acid enters your eye, immediately flood eye with running cold water for at least 10 minutes. Get medical attention immediately.
5. Remove all personal metal items such as rings, bracelets,

necklaces, and watches when working with a lead-acid battery. A lead-acid battery can produce a short-circuit current high enough to weld a ring (or the like) to metal, causing a severe burn.

6. Take care not to drop a metal tool or other metal onto the battery. Metal may cause sparking or short circuit the battery or another electrical device. Sparking may cause an explosion.
7. Always operate battery charger in an open well ventilated area.
8. **NEVER** smoke or allow a spark or flame in the vicinity of the battery or engine. Batteries generate explosive gases!

## C. GROUND AND AC POWER CORD CONNECTIONS

Charger should be grounded to reduce the risk of electric shock. Charger is equipped with an electric cord having an equipment grounding conductor and a grounding plug. The plug must be plugged into an outlet that is properly installed and grounded in accordance with all local codes and ordinances. This battery charger is designed for use on a nominal 120 volt circuit and has a grounded plug that looks like the plug illustrated in FIGURE 1 (A). This plug should be used in a grounded outlet. The plug pins must fit the receptacle (outlet).

ADAPTER: A temporary adapter, as shown in FIGURE 1 (B) and (C), may be used to connect the charger plug to a two pole receptacle (outlet), as shown in FIGURE 1 (B).

NOTE: The temporary adapter should be used only until a properly grounded outlet can be installed by a qualified electrician.

DANGER: Never alter the AC cord or plug provided. If it will not fit outlet, have a proper outlet installed by a qualified electrician. Improper connection can result in a risk of an electrical shock. **DANGER:** Before using an adapter, as illustrated, be certain that the center screw of the outlet plate is grounded. The green-colored rigid ear or lug extending from the adapter must be connected to a properly grounded outlet. Make certain it is grounded. If necessary, replace original outlet cover plate screw with a longer screw that will secure adapter ear or lug to outlet cover plate and make ground connection to grounded outlet.

"Use of adapter plug not allowed in Canada"

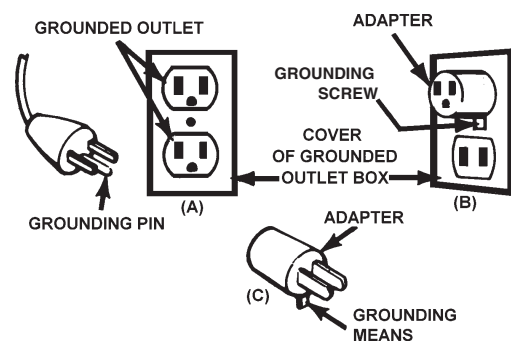


FIGURE 1 GROUNDING METHODS

## D. PREPARING TO CHARGE

1. Make sure you have a 12 volt or a 6 volt lead-acid battery and select battery charger switch accordingly.
2. Clean battery terminals. Take care to keep corrosion from coming in contact with your eyes.
3. If required, add distilled water in each cell until battery acid reaches levels specified by battery manufacturer. This helps purge excessive gas from cells. Do not overfill. For a battery without cell caps, carefully follow manufacturer's recharging instructions.
4. Study all battery manufacturer's specific precautions, such as removing or not removing cell caps while charging, and recommended rates of charge.

5. Be sure area around battery is well ventilated while battery is being charged. Gas can be forcefully blown away by using a piece of cardboard or other non-metallic material as a fan.
6. If necessary to remove battery from vehicle to charge, always remove grounded terminal from battery first. Make sure all accessories in the vehicle are off, so as not to cause an arc.
7. A marine (boat) battery must be removed and charged on shore. To charge it on board requires equipment specially designed for marine use.

## E. CHARGER LOCATION PRECAUTIONS

**Never** place charger directly above the battery being charged, gases from battery could damage the charger.

**Never** allow battery acid to drip on the charger when reading specific gravity of filling battery.

**Never** operate charger in a closed in area, or restrict ventilation in any way.

Do not set battery on top of the charger.

## F. OPERATING INSTRUCTIONS: CHARGING BATTERY IN VEHICLE

When charging battery in the vehicle, take care to determine the battery type and which post is grounded. To reduce risk of a spark near battery, follow these steps when battery is installed in vehicle. **WARNING: A spark near battery may cause battery explosion.**

1. Position AC power cord and DC charging cords to reduce risk of damage by hood, door, or moving engine parts.
2. Stay clear of fan blades, belts, pulleys, and other parts that can cause injury.
3. Check polarity of battery posts. Battery case will be marked by each post: **POSITIVE (POS, P, +)** and **NEGATIVE (NEG, N, -)**. **NOTE:** The positive battery post usually has a larger diameter than the negative post.
4. Determine which post of battery is ground (connected) to chassis.  
**NOTE:** The negative post is normally grounded.

### NEGATIVE GROUNDED POST

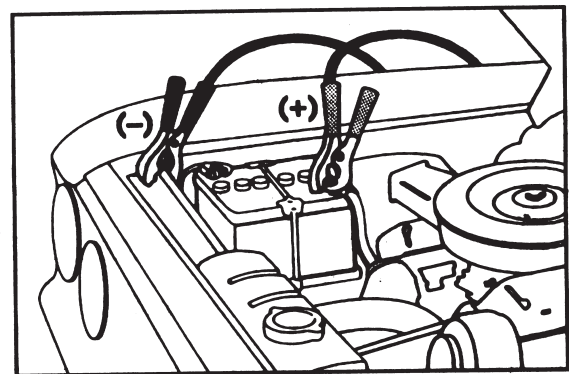
5A. For negative-grounded vehicle, connect POSITIVE (RED) clip from battery charger to POSITIVE (POS, P, +) ungrounded post of battery. Connect NEGATIVE (BLACK) clip to vehicle chassis or engine block away from battery. Connect to a heavy gauge metal part of the frame or engine block.

### POSITIVE GROUNDED POST

5B. For positive-grounded vehicle, connect NEGATIVE (BLACK) clip from battery charger to NEGATIVE (NEG, N, -) ungrounded post of battery. Connect POSITIVE (RED) clip to vehicle chassis or engine block away from battery. Connect to a heavy gauge unpainted metal part of the frame or engine block.

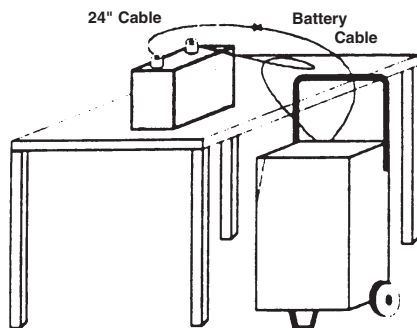
**WARNING:** Do not connect clip to carburetor, fuel lines, or sheet-metal body parts. **NOTE:** Attach clips to battery post and twist or rock back and forth several times to make a good connection. This tends to keep clips from slipping off terminals and helps to reduce risk of sparking.

6. Select amperage.
7. Follow steps 1-4 in Battery Charger Section K.
8. When the battery is fully charged, unplug the charger from the AC power source.
9. Remove charger clips from (1) chassis and (2) battery pole in that order.
10. Clean and store battery charger.



## G. OPERATING INSTRUCTIONS: CHARGING BATTERY OUT OF VEHICLE

When charging battery out of vehicle, take care to determine the battery type. To reduce risk of a spark near battery, follow these steps when battery is outside vehicle. **WARNING:** A spark near the battery may cause battery explosion. **WARNING:** When removing battery from vehicle or boat, disconnect grounded pole first. When disconnecting, make sure all accessories are off, so as not to cause an arc. (**NOTE:** A marine (boat) battery must be removed and charged on shore. (To charge on board requires special equipment designed for marine use.) **WARNING:** When reinstalling battery, attach the ground post first.



### Do not use to parallel charge batteries

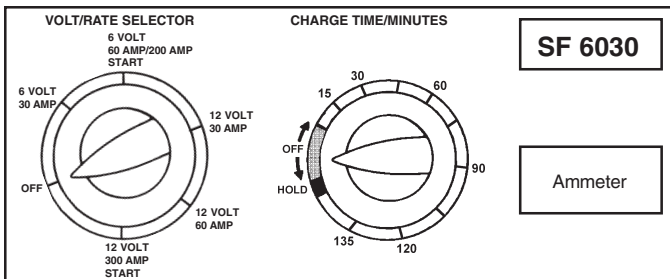
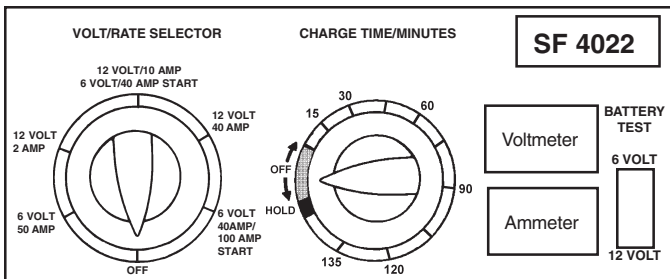
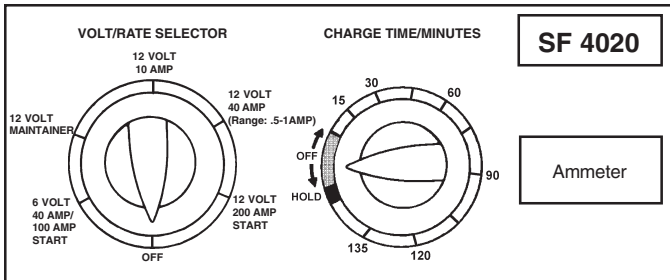
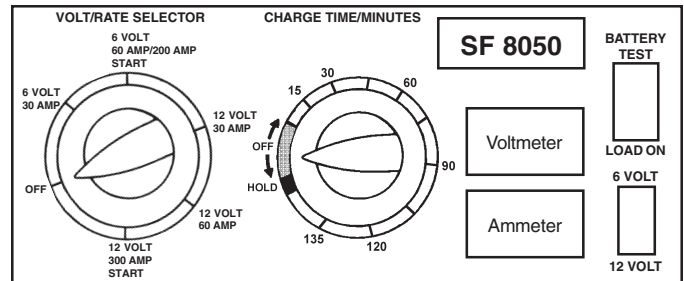
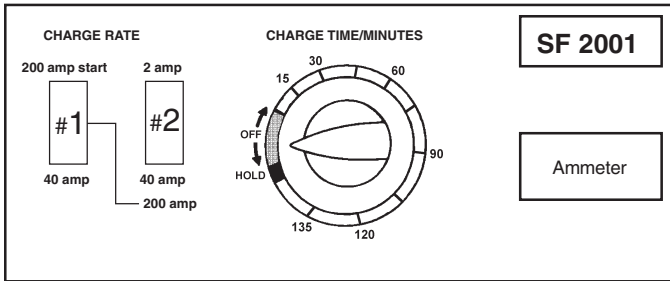
1. Check polarity of battery posts. Battery case will be marked by each post: POSITIVE (POS, P, +) and NEGATIVE (NEG, N, -). **NOTE:** The positive battery post usually has a larger diameter than the negative post.
2. Attach a 24-inch long (or longer) 6-gauge (AWG) insulated battery cable to NEGATIVE (NEG, N, -) battery post. (The 24" lead is not supplied. You may purchase at most automotive stores.)  
The 24" lead provides a safer connection condition. Spark-

ing or arcing could occur when connecting the charger clip to the lead.

3. Connect POSITIVE (RED) charger clip to POSITIVE (POS, P, +) post of battery. Rock clip back and forth to make good connection.
4. Position yourself and free end of 24 inch cable as far away from battery as possible. Then connect NEGATIVE (BLACK) charger clip to free end of cable.  
**WARNING:** Do not face battery when making final connection. Rock clip back and forth to make a good connection.
5. Select amperage:
6. Follow steps 1-4 in Battery Charger Section.
7. When battery is fully charged, unplug charger from AC outlet.
8. When battery is fully charged and the charger is unplugged: (1) Remove clip from end of the Negative end of cable, then (2) Remove clip from Positive battery post, in that order.
9. Clean and store battery charger.

**WARNING:** Be sure area around the battery is well ventilated while battery is being charged. Gas can be forcefully blown away by using a piece of cardboard or other non-metallic material as a fan.

## H. OUTPUT SELECTOR CONTROLS



**TIMER:** The main function of the timer is to prevent over charging while allowing a battery time to obtain a satisfactory charge. To properly set the timer you must know the size of the battery in ampere hours or reserve capacity in minutes and the state of charge. Often the state of charge is not known, this is one reason why the timer was limited to 2.25 hours. With the aid of a battery load tester the state of charge can be obtained within a few seconds. For example, the average size automotive battery at a 50% state of charge will require 1 to 1.5 hours of charging at the 40 amp rate to reach the full charge state. For the same battery with the timer set to its maximum, 2.25 hours, over charging will occur, but not likely cause harm to a battery that was otherwise in good condition. When the charge state is not known, start out with a timer setting of 1 hour or less.

**HOLD** This position defeats the timer function, allowing for continuous operation. Use when you want to charge more than 2.25 hours. This is normally the case when the 2 amp charge rate is selected. Be sure to monitor the charging and stop the charge when the battery is charged.

**Switch #1** use this switch to select the 200 amp engine start and the 40 amp charge rate. Switch #2 must be in the down position (40amp /200 amp select) when using switch #1.

**Switch #2** Use this switch to select the 2 amp charge rate. Also use to select use of switch #1.

**Rotary switch** - Use the rotary switch (volt / rate selector, on all models except the SF 2001) to select the charge rate or engine start setting you require. Read the switch dial for those available on this charger.

**Load Tester Switch (on SF 8050 only)**  
Use this switch to apply load to the battery.

**Follow these easy steps:**

1. Select the correct setting of the meter ( 6v or 12v ) to agree with the battery to be tested.
2. Connect the charger leads to the battery following the instructions in section F.
3. Press the Load Switch to load on for 10 seconds and read the voltmeter.

**Good (green)** - indicates the battery capacity is OK. Battery may or may not be fully charged. Check the specific gravity of battery to determine the state of charge. If the specific gravity is less than full charge, check for electrical drain or possible charging system trouble. Recharge battery to full level.

**Yellow or Red, but needle remains steady** - indicates that the battery capacity is not satisfactory. Battery may be either defective or not fully charged. Check specific gravity to see which condition exists. If charging does not bring the battery specific gravity to full charge, the battery should be replaced.

**Yellow or Red, but needle remains falling** - indicates the battery may be defective or run down. Release the load switch and note voltmeter reaction. Voltage recovery into green or above within seconds indicates a defective battery. Slow recovery indicates run down condition. For best results, check specific gravity.

The **Ammeter** indicates the amount of current measured in amperes that is being drawn by the battery. For example, In the 40 amp charge rate a typical discharged battery will initially draw approximately 40 amps. As the battery continues to charge, current will taper to 15 to 20 amps at full charge. The Start area of the meter indicates a high rate of current being drawn from the charger. When cranking an engine, the starter motor draws upwards to 200-300 amps. The meter needle will be at the extreme right side of the start area. Sometimes a battery for the first few minutes of it's charge will draw more than 40/50 amps, in this case the needle may be within but not to the extreme right side of the start area. The 2 amp charge rate (on some models) may indicate some activity on the meter. The meter doesn't have the resolution to display this low rate.

The **Voltmeter** indicates the voltage at the battery terminals. Note that Model SF 4022 is not a Load tester, but a voltmeter. Use as follows:

1. Charger need not be plugged into AC outlet. Timer should be in the Off position, 6v/12v switch in position to match battery being tested, and then connect following instructions in Section F.
2. Observe the meter indication. Keep in mind that this reading is only a battery voltage reading, a false surface charge may mislead you. We suggest that you turn on your headlamps for a couple of minutes before you read the meter. Read a couple of minutes after you have shut the headlamps off, then follow the convenient color code of the meter.

## I. ENGINE START

1. Set charge rate switch and timer to OFF positions.
2. With the charger unplugged from the AC outlet, connect the charger to the battery following instructions given in section F.
3. Plug the charger AC power cord into the AC outlet, then move timer from OFF to HOLD position.
4. Set the charge rate switch to the engine start position that matches the vehicle battery and then crank the engine. Follow the duty cycle printed on the front panel of your charger for proper ON / OFF times. During extremely cold weather or when the battery is severely exhausted, charge the battery for about 5 minutes before cranking the engine.
5. If the engine fails to start, charge the battery for 5 more minutes before attempting to crank the engine again.
6. After the engine starts, move the charge rate switch to OFF and unplug the AC power cord from the outlet before disconnecting DC clips.

Do not try to engine start a vehicle without a battery in it. You may damage the vehicle's system. If the engine spins, but doesn't start after several starting attempts, there is a problem with the engine of the vehicle other than its starting system. STOP cranking the engine until the other problem has been found and corrected.

## J. CHARGE PERIOD

Determine the charge level of your battery with a hydrometer or electronic percent of charge tester. Determine the ampere hour rating of your battery. It may be on the battery information label. If the battery is rated in Reserve Capacity, convert to ampere hour rating using the following formula:

$$\text{Ampere Hour rating} = \frac{(\text{Reserve Capacity})}{(2)} + 16$$

$$\text{Example: AH rating} = \frac{(168 \text{ Reserve Capacity})}{(2)} + 16 \quad \text{or AH} = 100$$

(Reserve capacity is in minutes)

Use the following formula to determine the time of charge required: **(AH x % of charge needed) divided by amp setting of the charger, times 1.25 = hours of charge:**

Example: State of charge of the battery is 50%  
 Percent of charge needed is 100% - 50% = 50% (.50 decimal)  
 Ampere rating of the battery is 100AH  
 Charger setting is 10 amps

$$\frac{100 \times .50}{10} = x \times 1.25 = 6.25 \text{ hours of charge needed}$$

$$\pm 1.00 \text{ hour more if charging a deep cycle battery}$$

$$7.25 \text{ hours total for a deep cycle battery.}$$

A hydrometer reading of the specific gravity of the electrolyte (fluid) of the battery in good condition should be between 1.25 and 1.28. When a battery reaches 80-85% of full charge, bubbles will appear on the surface of the fluid. As the battery nears full charge, bubbling will become more vigorous.

## K. BATTERY CHARGING

### CHARGER MUST BE ASSEMBLED BEFORE USING.

1. Before charging any battery, make sure the electrolyte (battery liquid) in each cell is at correct level.
2. Set all switches and timers to the OFF position.
3. If the battery is being charged inside the vehicle, use connection procedures outlined in Section F. Should the battery be removed from the vehicle, follow the instruction in Section D, step 6 and Section G. Plug the power cord into the AC outlet.
4. Set the charge rate switch to the desired charge position. See Charge Rate Charts.

5. Set the timer from OFF position to desired timed charge, 30-135 minutes.

**NOTE:** These battery chargers are not automatic and can overcharge a battery if permitted to operate for extended periods of time. Monitor the charging often.

BATTERY SIZE/RATING		CHARGE RATE*/CHARGING TIME - HOURS**						
		2 AMP	10 AMP	30 AMP	40 AMP	50 AMP	60 AMP	
SMALL BATTERIES	Motorcycle, Garden Tractor, etc.	6 - 12 AH	1.5 to 3	NR	NR	NR	NR	NR
		12 - 32 AH	3 to 8					
CAR/TRUCKS	200 - 315 CCA	40 - 60 RC	11 to 15	2.5 to 3	.75 to 1	.5 to .75	NR	NR
	315 - 550 CCA	60 - 85 RC	15 to 18	3 to 4	1 to 1.5	.75 to 1	.5 to .75	.5 to .63
	550 - 875 CCA	85 - 125 RC	18 to 25	4 to 5	1.5 to 1.7	1 to 1.5	.75 to 1	.63 to .75
MARINE/DEEP CYCLE	55 MC		15	4	NR	NR	NR	NR
	80 MC		19	5	2	1.75	NR	NR
	105 MC		23	6	2.5	2	NR	NR

\*Charge Rates for this model are listed on the front panel.

\*\*Based on battery at 50% charge.

AH Ampere Hours  
 NR Not Recommended  
 CCA Cold Cranking Amps  
 RC Reserve Capacity  
 MC Marine Capacity

**Wheel Charger Assembly Instructions:**

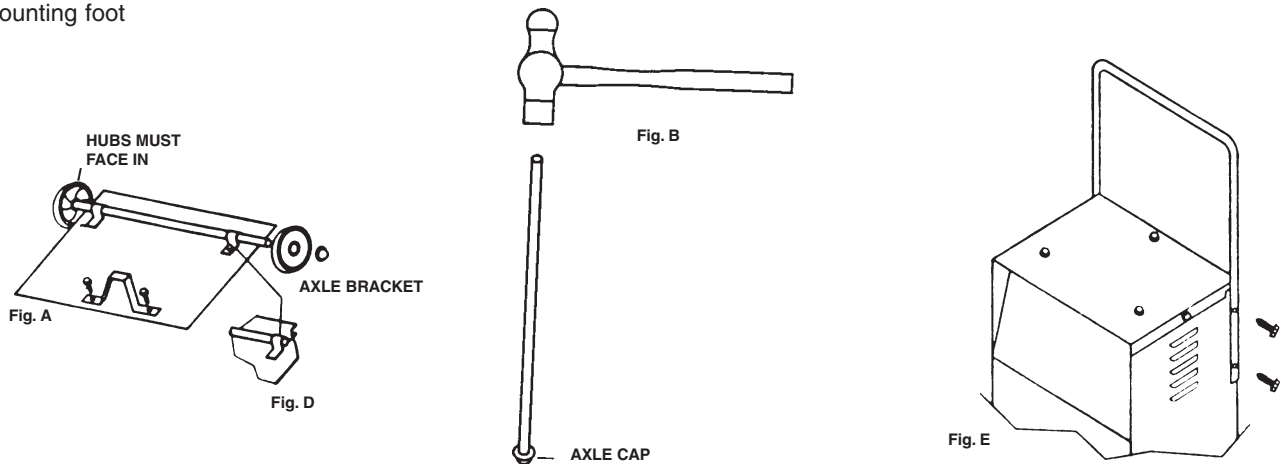
**NOTE:** Charger must be assembled before operating

**Parts**

- (2) 10-32 thread cutting screws
- (2) 1/4-20 thread cutting screws
- (2) wheels
- (2) axle caps
- (2) axle brackets
- (1) handle
- (1) mounting foot

**Tools necessary**

- 5/16" wrench
- 3/8" wrench
- Hammer
- Screwdriver



Hubs must face in FIG. A; Axle bracket FIG. D & B.; Axle cap FIG. E.

First place the charger topside down on a flat surface.

Next mount the mounting foot FIG. A with (2) 1/4-20 screws.

Next pound the axle firmly into an axle cap using a hammer FIG. B.

Next slide the wheels onto the axle, hubs must face in, FIG. C.

Next pound the other axle cap onto the other end of the axle.

Next place the axle assembly onto the bottom of the charger as shown in FIG. C.

Mount the axle to the bottom of the charger using (2) 10-32 thread cutting screws as shown in FIG. D.

(these screws require a 5/16" wrench).

Next turn the battery charger right side up onto its foot and wheels.

Remove the (2) top screws from each side of the charger, line up the handle and reinstall the screws FIG. E.

**M.****TROUBLESHOOTING**

If a problem does occur, check the following:

<b>PROBLEM</b>	<b>POSSIBLE CAUSE</b>	<b>SOLUTION</b>
No Meter Reading (AC Cord Unplugged)	Clips are not making a good connection.  Battery voltage is too low.  2 amp charge rate being used.	Rock clips back and forth for a better connection.  Plug AC line into outlet. Meter should now indicate.  None, meter will not indicate here.
Charger will not turn on when properly connected.  Clicking noise from charger.	AC outlet is dead.  Poor electrical connection.  Circuit breaker is cycling.  Battery is defective.	Plug in a lamp to check for voltage. Check connections, rock back and forth for a better connection.  May be in the wrong switch position  Have Battery checked.
	Severely discharged battery but otherwise a good battery.  Reverse connections at battery.	Allow charging to continue until battery has a chance to recover sufficiently to take a charge. If more than 20 min. stop charging and have the battery checked.  Shut off charger and correct lead connections.

NOTE: Fan will operate when in "OFF" position. Unplug to stop fan.

**LIMITED WARRANTY**

**SCHUMACHER ELECTRIC CORPORATION, 801 BUSINESS CENTER DRIVE, MOUNT PROSPECT, ILLINOIS, 60056-2179 MAKES THIS LIMITED WARRANTY TO THE ORIGINAL PURCHASER AT RETAIL OF THIS PRODUCT. THIS LIMITED WARRANTY IS NOT TRANSFERABLE.**

Schumacher Electric Corporation warrants this battery charger for 3 years, and the transformer and rectifiers for 5 years from date of purchase at retail against defective material or workmanship. If such should occur, the unit will be repaired or replaced at the option of the manufacturer. It is the obligation of the purchaser to forward the unit together with proof of purchase, transportation and / or mailing charges prepaid to the manufacturer or its authorized representative. This limited warranty is void if the product is misused, subjected to careless handling, or repaired by anyone other than the factory or other authorized factory representative. The manufacturer makes no warranty other than this limited warranty and expressly excludes any implied warranty including any warranty for consequential damages.

This is the only express limited warranty and the manufacturer neither assumes nor authorizes anyone to assume or make any other obligation towards the product other than this express limited warranty. The manufacturer makes no warranty of merchantability or fitness for purpose of this product and expressly excludes such from this limited warranty. Some states do not allow the exclusion or limitation of incidental or consequential damages or length of implied warranty so the above limitations or exclusions may not apply to you. "This warranty gives you specific legal rights, and you may have other rights which vary from state to state."

- **IMPORTANT SAFETY INSTRUCTIONS** •
- **SAVE THESE INSTRUCTIONS** •



801 BUSINESS CENTER DRIVE • MOUNT PROSPECT, ILLINOIS 60056-2179 • 800-621-5485 • Ext. 322



# GUIDE D'UTILISATION

## Modèles

SF2001, SF4020  
SF4022, SF6030, SF8050

INSTRUCTIONS IMPORTANTES  
CONSERVEZ CE GUIDE

IL EST DANGEREUX DE TRAVAILLER À PROXIMITÉ D'UNE BATTERIE AU PLOMB-ACIDE. LES BATTERIES PRODUISENT DES GAZ EXPLOSIFS DANS DES CONDITIONS NORMALES D'UTILISATION. IL EST DONC D'UNE IMPORTANCE CAPITALE DE LIRE LE GUIDE D'UTILISATION ET DE SUIVRE LES INSTRUCTIONS À LA LETTRE TOUTES LES FOIS QU'ON SE SERT DU CHARGEUR.

## A. CONSIGNES DE SÉCURITÉ GÉNÉRALES SUR LES CHARGEURS

1. Avant d'utiliser votre chargeur de batterie, assurez-vous de lire toutes les instructions et les avis imprimés sur:

- le chargeur de batterie
- la batterie
- le véhicule ou l'article alimenté par une batterie

2. Raccordez seulement ce chargeur à des batteries au PLOMB-ACIDE rechargeables (accumulateurs) telles que celles des autos, camions, tracteurs, avions, fourgonnettes, VR, moteurs électriques pour pêche à la traîne, etc. Ce chargeur n'est pas conçu pour alimenter des circuits électriques à basse tension autres que ceux des véhicules.

**Attention:** Ne vous servez pas du chargeur de batterie pour recharger des piles sèches couramment utilisées pour alimenter les petits appareils portatifs car elles risquent d'exploser et de causer des dommages importants et des blessures graves.

3. Servez-vous seulement d'accessoires recommandés par le fabricant ou vendus par ce dernier. L'utilisation d'accessoires non recommandés risque d'occasionner un incendie, un choc électrique ou des blessures.

4. Quand vous débranchez le cordon d'alimentation CA du chargeur, tirez sur la fiche et non pas sur le cordon sinon vous risquez de les endommager.

5. Disposez les fils de sortie pour la batterie de façon à ne pas marcher dessus, trébucher ou les endommager.

6. Ne vous servez pas du chargeur si la fiche ou le cordon est endommagé. Faites remplacer le cordon immédiatement.

7. N'utilisez pas le chargeur s'il a reçu un coup violent, est tombé au sol ou a été endommagé de quelque façon que ce soit. Confiez-le plutôt à un technicien qualifié afin de le faire inspecter et, au besoin, réparer.

8. Ne démontez pas le chargeur. Confiez-le à un technicien qualifié s'il requiert des travaux d'entretien ou de réparation. Il risque de causer un incendie ou des chocs électriques s'il est remonté d'une façon inadéquate.

9. Pour réduire les risques de choc électrique, débranchez d'abord le chargeur de la prise de courant avant d'en effectuer l'entretien ou de le nettoyer.

10. Ne vous servez pas d'une rallonge à moins que ce soit absolument nécessaire. L'utilisation d'une rallonge inadéquate

risque d'occasionner un incendie ou des chocs électriques. Si vous devez vous servir d'une rallonge, assurez-vous que:

- La fiche de la rallonge est identique (dimension et forme des lames et de la broche) à celle du chargeur.
- La rallonge est bien câblée et en bon état.
- Le calibre des fils est suffisamment élevé pour leur permettre d'acheminer un courant dont l'intensité répond aux exigences du chargeur.

Longueur de la rallonge (pieds):	25	50	100	150
Calibre des fils:	16	12	10	8

(Calibre américain de fils)

11. Chargez toujours la batterie dans un endroit bien aéré. Ne vous en servez **JAMAIS** dans un espace clos ou un endroit où l'espace est restreint, à moins qu'il soit bien aéré puisqu'il peut y avoir présence de gaz explosifs.

**ATTENTION:** Risque de gaz explosifs.

12. Placez le chargeur le plus loin possible de la batterie, compte tenu de la longueur des fils de sortie.

13. N'exposez pas le chargeur à la pluie ni à la neige.

14. Ne tentez **JAMAIS** de recharger une batterie gelée. Si l'acide de batterie (électrolyte) est gelé, transportez la batterie dans un endroit chaud afin de dégeler l'électrolyte avant de recharger la batterie.

15. Ne permettez **JAMAIS** à l'acide de batterie de couler sur le chargeur quand vous vérifiez la densité de l'acide ou quand vous ajoutez de l'eau distillée.

16. Ne déposez **JAMAIS** une batterie sur le chargeur.

17. Ne placez **JAMAIS** le chargeur au-dessus de la batterie que vous allez charger car les gaz qui s'en dégagent corroderont le chargeur et l'endommageront.

18. Ne placez **JAMAIS** les pinces du chargeur l'une contre l'autre quand le chargeur est en marche.

**ATTENTION:** Les chargeurs de batterie deviennent chauds durant la charge et ils doivent bénéficier d'une aération adéquate. L'air doit pouvoir circuler tout autour du chargeur.

Ne placez pas le chargeur sur des articles inflammables tels que moquette, tissu de recouvrement, papier, carton, etc. Il endommagera le cuir et fera fondre le plastique et le caoutchouc.

## ● CONSIGNES DE SÉCURITÉ IMPORTANTES ●

## ● CONSERVEZ CE GUIDE ●



**Schumacher**® ELECTRIC CORPORATION

801 BUSINESS CENTER DRIVE • MOUNT PROSPECT, ILLINOIS 60056-2179

Au Canada, lorsqu'il s'agit de remplacement ou de réclamation sous garantie, veuillez retourner l'article, durant la période de garantie, à l'endroit où vous l'avez acheté, et ce, accompagné de la preuve d'achat.

## B. CONSIGNES DE SÉCURITÉ À L'INTENTION DE L'USAGER

1. **ATTENTION** : Portez des lunettes de sûreté et des vêtements protecteurs quand vous manipulez des batteries au plomb-acide.
2. Assurez-vous qu'une personne soit assez près pour vous venir en aide ou pour entendre vos cris d'appel quand vous travaillez à proximité de batteries au plomb-acide ou que vous en manipulez.
3. Ayez beaucoup d'eau fraîche et de savon à la portée de la main au cas où de l'acide viendrait en contact avec les yeux, la peau ou les vêtements. Si de l'acide de batterie vient en contact avec la peau ou les vêtements, lavez-les immédiatement avec de l'eau et du savon.
4. Évitez de vous toucher les yeux quand vous manipulez une batterie. Des traces d'acide (corrosion) peuvent venir en contact avec les yeux. En cas de contact avec les yeux, lavez-les à grande eau pendant au moins 10 minutes. Obtenez immédiatement des soins médicaux.

5. Assurez-vous de ne pas porter d'objets métalliques tels que des bagues, des bracelets, des colliers ou des montres quand vous manipulez une batterie au plomb-acide. Court-circuitée, une batterie au plomb-acide peut produire un courant d'intensité élevée pouvant souder une bague (ou autre) à du métal et causer une brûlure grave.
6. Évitez de laisser tomber un outil ou un objet en métal sur la batterie. Le métal peut produire des étincelles ou court-circuiter la batterie ou un autre appareil électrique. Les étincelles peuvent provoquer une explosion.
7. Utilisez toujours le chargeur de batterie dans un endroit découvert, bien aéré.
8. Ne fumez **JAMAIS** à proximité d'une batterie ou d'un moteur et ne permettez pas qu'il y ait des étincelles ou des flammes car les gaz explosifs produits par la batterie risquent de s'enflammer.

## C. RACCORDEMENT DU CORDON CA ET MISE À LA TERRE

Le chargeur doit être mis à la terre pour réduire les risques de choc électrique.

Le cordon électrique du chargeur est muni d'un fil de mise à la masse et d'une fiche à broche de mise à la terre. Le chargeur doit donc être raccordé à une prise de courant mise à la terre conformément au code de l'électricité et aux règlements municipaux. Ce chargeur de batterie est conçu pour être raccordé à un circuit électrique de 120 V et son cordon est muni d'une fiche comme celle que l'on retrouve sur la Figure 1 (A). Cette fiche doit être branchée dans une prise mise à la terre. La broche et les deux lames de la fiche doivent s'adapter à la prise de courant (sortie).

**ADAPTATEUR**: Un adaptateur temporaire, comme le montre la Figure 1 (B) et (C), peut être employé pour brancher la fiche du chargeur à une prise bipolaire, comme le montre la FIGURE 1 (B).

**REMARQUE**: L'adaptateur temporaire doit être utilisé seulement jusqu'à ce qu'une prise mise à la terre soit installée par un électricien qualifié.

**DANGER**: Ne modifiez jamais le cordon CA ni la fiche du chargeur. Si la fiche ne s'adapte pas à la prise de courant, faites remplacer la prise par un électricien qualifié. Une mauvaise connexion risque d'occasionner des chocs électriques. **DANGER**: Avant d'utiliser un adaptateur, comme le montre l'illustration, assurez-vous que la vis centrale de la plaque de la prise est mise à la terre. La patte rigide de couleur verte qui dépasse de l'adaptateur doit être branchée dans une prise correctement mise à la terre. Remplacez la vis originale de la plaque de la prise si nécessaire par une vis plus longue qui permettra de fixer la patte de l'adaptateur à la plaque de la prise et d'effectuer la connexion à une prise mise à la terre.

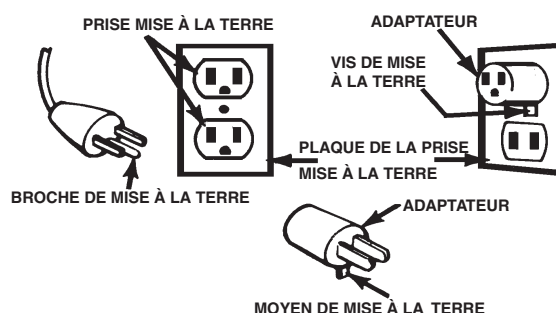


FIGURE 1 MÉTHODES DE MISE À LA TERRE

L'UTILISATION DE L'ADAPTATEUR N'EST PAS PERMISE AU CANADA.

## D. PRÉPARATIFS DE CHARGE

1. Assurez-vous qu'il s'agit bien d'une batterie au plomb-acide de 6 volts ou de 12 volts et réglez le commutateur du chargeur de batterie en conséquence.
2. Nettoyez les bornes de la batterie. Assurez-vous que la corrosion ne vienne pas en contact avec vos yeux.
3. Si nécessaire, ajoutez de l'eau distillée dans chaque élément jusqu'à ce que l'acide de batterie atteigne le niveau spécifié par le fabricant de la batterie. Ceci aide à éliminer le gaz qui s'accumule dans les éléments. Ne dépassez pas le niveau maximal. Si la batterie n'est pas munie de bouchons à évent, suivez attentivement les instructions de recharge du fabricant.
4. Étudiez toutes les instructions et recommandations du fabricant de la batterie concernant des choses telles que d'enlever les bouchons à évent ou de les laisser en place pendant la charge,

le régime de charge, etc.

5. Assurez-vous que l'endroit où repose la batterie pendant la charge est bien aéré. Il est possible de dissiper les gaz en se servant d'un morceau de carton ou d'un matériau non métallique comme éventail.
6. Si l'on doit retirer la batterie du véhicule afin de la charger, débranchez toujours le câble de mise à la terre en premier. Assurez-vous que tous les accessoires du véhicule sont éteints de façon à ne pas causer d'étincelle.
7. Une batterie pour bateau doit être retirée de l'embarcation et chargée sur la rive. Pour charger une batterie à bord d'une embarcation, vous devez posséder un appareil spécialement conçu pour être utilisé sur un bateau.

## E. MISE EN GARDE SUR L'EMPLACEMENT DU CHARGEUR

Ne placez **jamais** le chargeur au-dessus de la batterie pendant la charge; les gaz qui s'échappent de la batterie peuvent l'endommager.

Ne laissez **jamais** égoutter l'acide de batterie sur le chargeur quand vous mesurez la charge avec un pèse-acide ou quand

vous remplissez les éléments.

N'utilisez **jamais** le chargeur dans un endroit clos ou un emplacement où l'aération est restreinte de quelque façon que ce soit.

Ne placez pas la batterie sur le chargeur.

## F. INSTRUCTIONS D'UTILISATION: CHARGE DE LA BATTERIE DANS LE VÉHICULE

Lorsque vous chargez la batterie dans le véhicule, assurez-vous de savoir de quel type de batterie il s'agit et quelle borne est mise à la masse. Pour réduire les risques d'étincelles près de la batterie, suivez ces étapes quand la batterie est déjà installée. **ATTENTION: Une étincelle près de la batterie peut faire exploser celle-ci.**

1. Placez le cordon CA et les fils CC de façon qu'ils ne se fassent pas endommager par le capot, une porte ou des pièces en mouvement.

2. Tenez-vous à l'écart des pales de ventilateur, courroies, poulies et de toute pièce posant un risque de blessure.

3. Vérifiez la polarité des bornes de batterie. Il y aura une indication sur le boîtier de la batterie près de chaque borne: **POSITIF, (POS, P, +) et NÉGATIVE (NEG, N, -)**. **REMARQUE:** La borne positive est généralement plus grosse que la borne négative.

4. Déterminez quelle borne de la batterie est mise à la masse (raccordée) au châssis. **REMARQUE:** C'est normalement la borne négative qui est mise à la masse.

### BORNE NÉGATIVE MISE À LA MASSE

5A. Pour les véhicules à masse négative, raccordez la pince POSITIVE (ROUGE) du chargeur de batterie à la borne POSITIVE (POS, P, +) non mise à la masse de la batterie. Raccordez la pince NÉGATIVE (NOIRE) au châssis du véhicule ou au bloc moteur le plus loin possible de la batterie. Raccordez-la à une pièce de métal épaisse du cadre ou au bloc moteur.

### BORNE POSITIVE MISE À LA MASSE

5B. Pour les véhicules à masse positive, raccordez la pince NÉGATIVE (NOIRE) du chargeur de batterie à la borne NÉGATIVE (NEG, N, -) non mise à la masse de la batterie. Raccordez la pince POSITIVE (ROUGE) au châssis du véhicule

ou au bloc moteur le plus loin possible de la batterie. Raccordez-la à une pièce de métal épaisse et non peinte du cadre ou au bloc moteur.

**ATTENTION:** Ne raccordez pas la pince au carburateur, à la canalisation d'essence ni à une pièce de carrosserie en tôle.

**REMARQUE:** Fixez les pinces aux bornes de batterie et tournez ou faites bouger les pinces de l'avant vers l'arrière pour assurer une bonne connexion et éviter que les pinces ne se détachent des bornes; vous réduisez ainsi les risques d'étincelles.

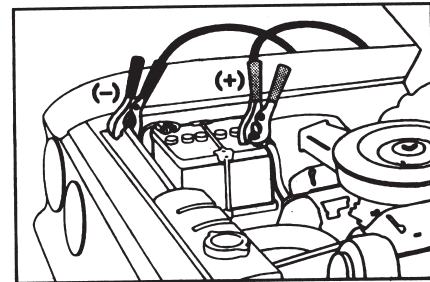
6. Choisissez l'intensité.

7. Suivez les étapes de 1 à 4 de la section K - Charge de la batterie.

8. Lorsque la batterie est complètement chargée, débranchez le chargeur de la prise de courant.

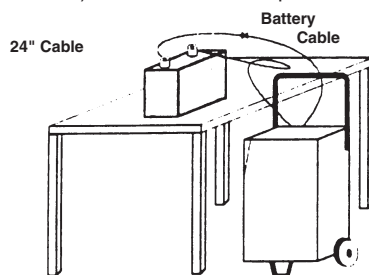
9. Enlevez la pince du chargeur (1) raccordée au châssis et (2) celle raccordée à la borne de batterie; procédez dans cet ordre.

10. Nettoyez et rangez le chargeur de batterie.



## G. INSTRUCTIONS D'UTILISATION: CHARGE DE LA BATTERIE HORS DU VÉHICULE

Lorsque vous chargez la batterie hors du véhicule, vous devez prendre soin de déterminer le type de batterie. Pour réduire les risques d'étincelle près de la batterie, respectez les consignes de sécurité suivantes lorsque la batterie est hors du véhicule. **ATTENTION:** Une étincelle près de la batterie peut provoquer l'explosion de celle-ci. **ATTENTION:** Lorsque vous retirez la batterie du véhicule ou du bateau, débranchez d'abord le câble de mise à la masse en premier en vous assurant au préalable que tous les accessoires sont éteints de façon à ne pas causer d'étincelle. (**REMARQUE:** Une batterie pour bateau doit être retirée de l'embarcation et chargée sur la rive. (Pour charger une batterie à bord d'une embarcation, vous devez posséder un appareil spécialement conçu pour être utilisé sur un bateau). **ATTENTION:** Lorsque vous réinstallez la batterie, fixez d'abord la borne de mise à la masse.



Ne vous en servez pas pour charger des batteries en parallèle.

1. Vérifiez la polarité des bornes de batterie. Il y aura une indication sur le boîtier de la batterie près de chaque borne: **POSITIF, (POS, P, +) et NÉGATIVE (NEG, N, -)**. **REMARQUE:** La borne positive est généralement plus grosse que la borne négative.

2. Fixez un câble de batterie isolé de calibre 6 (AWG), d'une longueur minimum de 24 po (60 cm) à la borne NÉGATIVE (NEG, N, -) de la batterie.

(Le conducteur de 24 po (60 cm) n'est pas compris. Vous pouvez vous en procurer un dans la plupart des magasins de pièces d'auto.)

Le conducteur fournit une connexion plus sécuritaire. En raccordant la pince du chargeur au conducteur, des étincelles peuvent se produire.

3. Raccordez la pince POSITIVE (ROUGE) du chargeur à la borne POSITIVE (POS, P, +) de la batterie. Faites bouger la pince de l'avant vers l'arrière pour assurer une bonne connexion.

4. Placez-vous le plus loin possible de la batterie; placez également l'extrémité libre du câble de 24 po (60 cm) le plus loin possible de la batterie. Raccordez ensuite la pince NÉGATIVE (NOIRE) du chargeur à l'extrémité libre du câble.

**ATTENTION:** Ne vous placez pas face à la batterie lorsque vous effectuez le dernier raccordement. Faites bouger la pince de l'avant vers l'arrière pour assurer une bonne connexion.

5. Choisissez l'intensité.

6. Suivez les étapes 1 à 4 de la section intitulée Charge de la batterie.

7. Lorsque la batterie est complètement chargée, débranchez le chargeur de la prise de courant.

8. Lorsque la batterie est complètement chargée et que le chargeur est débranché:

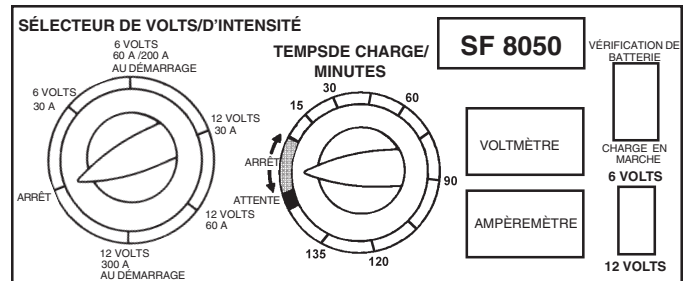
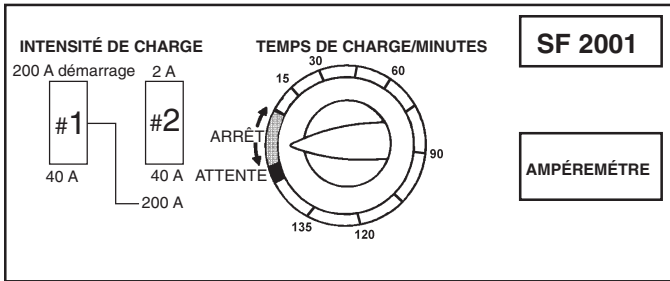
(1) enlevez la pince de l'extrémité négative du câble puis (2) enlever la pince de la borne positive de la batterie; procédez dans cet ordre.

9. Nettoyez et rangez le chargeur de batterie.

**ATTENTION:** Assurez-vous que l'endroit où repose la batterie pendant la charge est bien aéré. Il est possible de dissiper les gaz en se servant d'un morceau de carton ou d'un matériau non métallique comme éventail.

# H.

## COMMANDES DU SÉLECTEUR DE SORTIE



Interrupteur N° 1 Servez-vous de cet interrupteur pour choisir entre l'aide-démarrage de 200 A et l'intensité de charge de 40 A. L'interrupteur N° 2 doit être en bas (40 A/200 A) lorsque vous utilisez l'interrupteur N° 1.

Interrupteur N° 2. Servez-vous de cet interrupteur pour choisir l'intensité de charge de 2 A. Sert également à choisir l'utilisation de l'interrupteur N° 1.

Commutateur rotatif - Servez-vous du commutateur rotatif (sélecteur de volts/d'intensité sur tous les modèles sauf le SF2001) pour choisir l'intensité de charge ou l'aide-démarrage dont vous avez besoin. Lisez les indications inscrites autour du commutateur pour connaître les possibilités du chargeur.

Interrupteur du vérificateur de charge (sur le modèle SF8050 seulement)

Utilisez cet interrupteur pour appliquer une charge à la batterie.

Suivez ces directives faciles:

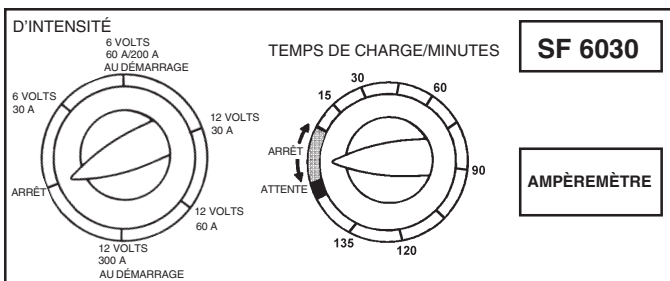
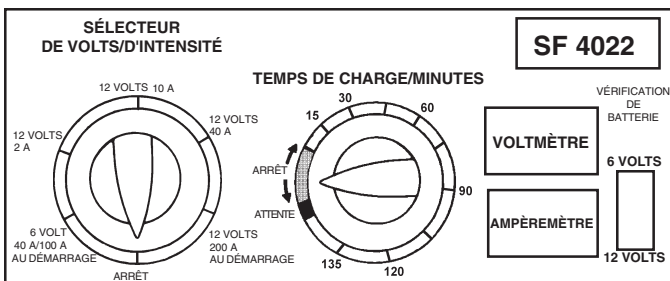
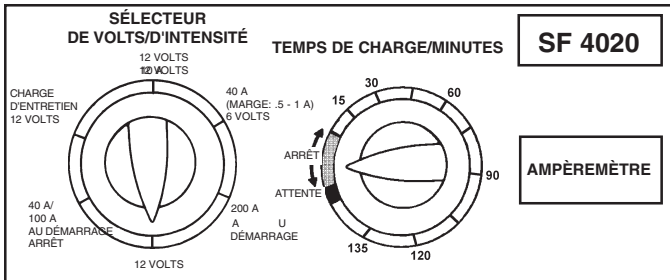
1. Choisissez le bon réglage (6 V ou 12V) selon la batterie à vérifier.
2. Raccordez les conducteurs de charge à la batterie selon les instructions de la section F.
3. Appuyez sur l'interrupteur de charge (charge en marche) durant 10 secondes et regardez ce qu'indique le voltmètre.

**Bon (vert)** - indique que la capacité de la batterie est bonne. La batterie peut être complètement chargée ou non. Vérifiez la densité de la batterie pour déterminer l'état de charge. Si la densité est inférieure à une charge complète, vérifiez s'il n'y a pas eu consommation électrique ou que le système de charge n'est pas défectueux. Rechargez la batterie.

**Jaune ou rouge, mais l'aiguille est stable** - indique que la capacité de la batterie n'est pas satisfaisante. La batterie peut être soit défectueuse ou soit partiellement chargée. Vérifiez la densité pour connaître quel est son état. Si la charge ne permet pas à la densité de la batterie d'atteindre une charge complète, la batterie doit être remplacée.

**Jaune ou rouge, mais l'aiguille ne monte pas** - indique que la batterie peut être défectueuse ou à plat. Relâchez l'interrupteur de charge et notez la réaction du voltmètre. Si l'aiguille remonte dans la section verte ou plus haut en quelques secondes, il s'agit d'une batterie défectueuse. Si l'aiguille remonte lentement, il s'agit d'une batterie à plat. Pour obtenir de meilleurs résultats, vérifiez la densité.

L'**ampèremètre** indique la quantité de courant, mesurée en ampères et prélevée par la batterie. Par exemple, à une intensité de charge de 40 A, une batterie type déchargée prélèvera initialement environ 40 A. Tandis que la charge de la batterie se poursuit, le courant diminuera jusqu'à de 15 à 20 A à une charge complète. La partie «Démarrage» de l'ampèremètre indique qu'un courant d'une haute intensité est prélevé du chargeur. Durant le démarrage du moteur, le moteur du démarreur prélève



**MINUTERIE:** La fonction principale de la minuterie est de prévenir la surcharge de la batterie tout en allouant suffisamment de temps pour que la charge soit satisfaisante. Pour régler correctement la minuterie, vous devez connaître la capacité de la batterie en ampère-heures ou la capacité de réserve en minutes et l'état de charge. Comme on ne connaît pas toujours l'état de charge, la minuterie a été limitée à 2,25 heures. À l'aide du vérificateur de charge de la batterie, on peut obtenir l'état de charge en quelques secondes. Par exemple, une batterie automobile de puissance moyenne chargée à 50% nécessitera de 1 à 1,5 heure de charge à une intensité de 40 A pour être complètement chargée. Si, pour la même batterie, on règle la minuterie au maximum, 2,25 heures, la batterie sera surchargée sans toutefois que cela n'endommage une batterie en bon état. Lorsqu'on ne connaît pas l'état de charge, il faut régler la minuterie à 1 heure ou moins.

**ATTENTE** Lorsque le commutateur est à cette position, la minuterie ne fonctionne plus et la charge se poursuivra sans arrêt. Réglez le commutateur à cette position lorsque vous désirez charger plus de 2,5 heures, ce qui est normalement le cas lorsque l'on choisit l'intensité de 2 A. Assurez-vous de surveiller le processus de charge et de fermer le chargeur lorsque la batterie est chargée.

de 200 à 300 A. L'aiguille de l'ampéremètre sera à l'extrême droite de la partie «Démarrage». Il peut arriver qu'une batterie, durant les premières minutes de la charge, prélève plus de 40/50 A. Dans ce cas, l'aiguille peut être dans la partie «Démarrage» sans toutefois être à l'extrême droite. L'intensité de charge de 2 A (sur certains modèles) peut être indiquée sur l'ampéremètre. L'ampéremètre n'est pas conçu pour afficher cette basse intensité.

Le **voltmètre** indique la tension aux bornes de la batterie. Notez que le modèle SF4022 n'est pas un vérificateur de charge mais un voltmètre. Utilisez-le de la façon suivante:

1. Il n'est pas nécessaire de brancher le chargeur dans une

prise de courant. La minuterie doit être à la position Arrêt et l'interrupteur 6V/12V à la bonne position en fonction de la batterie que l'on vérifie. Raccordez ensuite la batterie selon les instructions de la section F.

2. Regardez ce qu'indique le voltmètre. N'oubliez pas que cette lecture n'indique que la tension de la batterie; une fausse charge superficielle peut vous induire en erreur. Nous vous suggérons d'allumer vos phares durant quelques minutes avant de prendre la lecture du voltmètre. Attendez quelques minutes après avoir éteint les phares pour prendre la lecture puis reportez-vous au code de couleur du voltmètre.

## I. AIDE-DÉMARRAGE

1. Mettez le commutateur d'intensité de charge et la minuterie à la position ARRÊT.
2. Assurez-vous que le chargeur n'est pas branché dans la prise de courant et reliez-le à la batterie en suivant les directives de la section F.
3. Branchez le cordon d'alimentation CA du chargeur dans la prise de courant puis faites passer la minuterie de la position ARRÊT à la position ATTENTE.
4. Mettez le commutateur d'intensité de charge à la position de démarrage de moteur qui correspond à l'intensité de la batterie du véhicule puis démarrez le moteur. Suivez les indications concernant le cycle de service imprimées sur le panneau avant de votre chargeur pour que la durée de mise en marche et d'arrêt du chargeur soit la bonne. Par temps extrêmement froid, ou orsque la batterie est profondément déchargée, chargez-la durant

environ 5 minutes avant de démarrer le moteur.

5. Si le moteur refuse de démarrer, chargez la batterie 5 minutes de plus avant de tenter à nouveau de démarrer le moteur.
6. Lorsque le moteur a démarré, mettez le commutateur d'intensité de charge à ARRÊT puis débranchez le cordon d'alimentation CA de la prise avant de débrancher les pinces CC.

Ne tentez pas de démarrer un véhicule qui n'est pas équipé d'une batterie. Vous pouvez endommager le système du véhicule. Si le moteur tourne mais ne démarre pas après plusieurs tentatives de démarrage, le problème ne provient pas du système de démarrage mais bien du moteur du véhicule. CESSEZ de démarrer le moteur et attendez que le problème soit décelé et corrigé avant d'effectuer de nouvelles tentatives.

## J. PÉRIODE DE CHARGE

Déterminez le niveau de charge de votre batterie à l'aide d'un pése-acide ou du pourcentage électronique d'un vérificateur de charge. Déterminez l'intensité nominale de votre batterie. Elle peut être indiquée sur l'étiquette d'information de la batterie. Si la capacité de réserve de la batterie est indiquée, convertissez-la en intensité nominale à l'aide de la formule suivante:

$$\text{Intensité nominale} = \frac{\text{Capacité de réserve}}{(2)} + 16 \quad \text{Exemple: intensité nominale} = \frac{\text{capacité de réserve 168}}{(2)} + 16 \quad \text{ou AH} = 100$$

(La capacité de réserve est en minutes.)

Servez-vous de la formule suivante pour déterminer le temps de charge requis (**AH x % de charge nécessaire**) divisé par le réglage en ampère du chargeur, multiplié par 1,25 = heure de charge:

Le pourcentage de charge nécessaire est 100% - 50% = 50% (.50 décimal)  
L'intensité nominale de la batterie est de 100 AH  
Le réglage du chargeur est de 10 ampères

7.25 heures au total pour une batterie à décharge profonde.

$$\frac{100 \times .50}{10} = x \cdot 1.25 = 6.25 \text{ heures de charge nécessaire} \pm 1.00 \text{ heure de charge s'il s'agit d'une batterie à décharge profonde}$$

En prenant la lecture sur le pése-acide de la densité de l'électrolyte (liquide) d'une batterie en bonne condition, on doit obtenir entre 1.25 et 1.28. Lorsqu'une batterie atteint de 80 à 85% de sa charge complète, des bulles apparaîtront à la surface du liquide. Lorsque la batterie est presque complètement chargée, les bulles seront plus grosses et plus nombreuses.

## K. CHARGE DE LA BATTERIE

**LE CHARGEUR DOIT ÊTRE ASSEMBLÉ AVANT D'ÊTRE UTILISÉ.**

1. Avant de charger une batterie, assurez-vous que le niveau d'électrolyte (liquide de la batterie) de chaque élément est adéquat.
2. Mettez tous les commutateurs et toutes les minuteries à la position ARRÊT.
3. Si la batterie est chargée dans le véhicule, raccordez-la au chargeur selon les procédures décrites à la section F. Si la batterie doit être enlevée du véhicule, suivez les instructions de la section

D, étape 6 et de la section G. Branchez le chargeur dans la prise CA.

4. Mettez le commutateur d'intensité de charge à la position désirée. Consultez le tableau d'intensité de charge.
5. Faites passer la minuterie de la position ARRÊT à l'indication de temps requis de charge, entre 30 et 135 minutes.

REMARQUE: Ces chargeurs de batterie ne sont pas automatiques et peuvent surcharger une batterie si on les laisse fonctionner durant de longues périodes de temps. Surveillez le processus de charge régulièrement.

CAPACITÉ/INTENSITÉ DE LA BATTERIE			INTENSITÉ DE CHARGE* /TEMPS DE CHARGE - HEURES **					
			2	10	30 A	40 A	50 A	60 A
PETITES BATTERIES	Motocyclette, tracteur de pelouse, etc.	6 - 12 AH	1.5 to 3	NR	NR	NR	NR	NR
		12 - 32 AH	3 to 8					
VOITURES/ CAMIONS	200 - 315 CCA	40 - 60 RC	11 to 15	2.5 to 3	.75 to 1	.5 to .75	NR	NR
	315 - 550 CCA	60 - 85 RC	15 to 18	3 to 4	1 to 1.5	.75 to 1	.5 to .75	.5 to .63
	550 - 875 CCA	85 - 125 RC	18 to 25	4 to 5	1.5 to 1.7	1 to 1.5	.75 to 1	.63 to .75
BATEAU/À DÉCHARGE PROFONDE		55 MC	15	4	NR	NR	NR	NR
		80 MC	19	5	2	1.75	NR	NR
		105 MC	23	6	2.5	2	NR	NR

\* Les intensités de charge pour ce modèle sont inscrites sur le panneau avant.

\*\* Basé sur une batterie dont la charge est de 50%.

AH Ampère-heure  
NR Non recommandé  
CCA Ampères au démarrage à froid  
CR Capacité de réserve  
MC Capacité pour bateau

## L. INSTRUCTIONS D'ASSEMBLAGE

Instructions d'assemblage du chargeur sur roues:

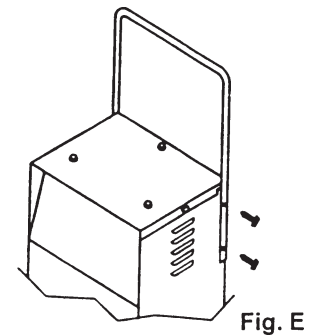
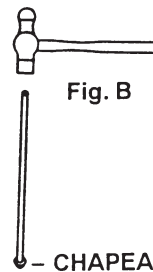
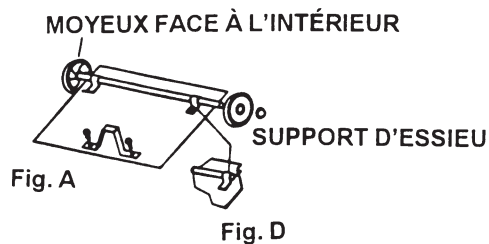
REMARQUE: Vous devez assembler entièrement l'appareil avant de le faire fonctionner.

### PIÈCES:

2 vis à filetage 10-32  
2 vis à filetage 1/4-10  
2 roues  
2 chapeaux d'essieu  
2 supports d'essieu  
1 poignée  
1 pied de montage

### OUTILS NÉCESSAIRES:

Clé de 3/8 po  
Clé de 5/16 po  
marteau  
tournevis



Retournez d'abord le chargeur pour que la partie supérieure de celui-ci repose sur une surface plate.

Installez ensuite le pied de montage FIG. A à l'aide des 2 vis 1/4-20.

Puis, insérez l'essieu dans un chapeau d'essieu en frappant à l'aide d'un marteau FIG B.

Ensuite, glissez les roues sur l'essieu en s'assurant que les moyeux font face à l'intérieur, FIG. C.

Puis, insérez l'autre chapeau d'essieu à l'autre extrémité de l'essieu.

Mettez ensuite l'essieu assemblé sur la partie inférieure du chargeur comme le montre la FIG. C. Fixez l'essieu à la partie inférieure du chargeur à l'aide des deux vis à filetage 10-32 comme le montre la FIG. D (Il vous faut une clé 5/16 po pour ces vis).

Puis, remettez le chargeur à l'endroit sur son pied et ses roues. Enlevez les deux vis supérieures de chaque côté du chargeur, faites coïncider les trous de la poignée avec ceux du chargeur puis remettez les vis en place. FIG. E.

## M. DÉPANNAGE

Si un problème survenait, vérifiez les points suivants:

PROBLÈME	CAUSE PROBABLE	SOLUTION
L'ampéremètre n'indique rien. (Cordon CA débranché)	Les pinces ne sont pas bien raccordées.  La tension de la batterie est trop faible.  L'intensité de charge de 2 A est employée.	Faites bouger les pinces de l'avant vers l'arrière pour assurer une meilleure connexion.  Branchez le cordon CA dans la prise. L'ampéremètre devrait alors indiquer l'intensité.  Aucune, l'ampéremètre n'indiquera pas l'intensité dans ce cas.
Le chargeur ne se met pas en marche lorsqu'il est correctement connecté.  Le chargeur fait entendre un cliquetis.	La prise CA ne fonctionne pas  La connexion électrique n'est pas bonne.  Le disjoncteur fonctionne.  La batterie est défectueuse.	Branchez une lampe pour vérifier qu'il y a du courant.  Vérifiez le raccordement, faites bouger les pinces de l'avant vers l'arrière pour assurer une bonne connexion.  Le commutateur est peut être à la mauvaise position.  Faites vérifier la batterie.
	Batterie fortement déchargée mais quand même bonne.  Inversez le raccordement à la batterie.	Laissez la charge se poursuivre jusqu'à ce que la batterie soit suffisamment rechargée pour accepter la charge. Si elle dure depuis plus de 20 minutes, cessez la charge et faites vérifier la batterie.  Fermez le chargeur et corrigez le raccordement des conducteurs.

REMARQUE: Le ventilateur fonctionnera lorsque le commutateur est à la position «ARRÊT». Débranchez le cordon CA pour que le ventilateur cesse de fonctionner.

### GARANTIE LIMITÉE

**SCHUMACHER ELECTRIC CORPORATION, 801 BUSINESS CENTER DRIVE, MOUNT PROSPECT, ILLINOIS 60056-2179 OFFRE LA GARANTIE LIMITÉE SUIVANTE À L'ACHETEUR INITIAL AU DÉTAIL DE CE PRODUIT. CETTE GARANTIE LIMITÉE N'EST PAS TRANSFÉRABLE.**

Schumacher Electric Corporation garantit ce chargeur de batterie pour une période de 3 ans et le transformateur et les redresseurs de courant pour une période de 5 ans à compter de la date d'achat au détail contre tout vice de matériau ou de fabrication. Si un tel vice se présentait, l'appareil sera réparé ou remplacé au choix du fabricant. L'acheteur est tenu de faire parvenir l'appareil, accompagné de la preuve d'achat, frais de transport ou frais postaux prépayés, au fabricant ou à un de ses représentants agréés. Cette garantie est nulle si le produit est l'objet d'un usage impropre, s'il est manipulé avec négligence ou s'il est réparé ailleurs que chez le fabricant ou l'un de ses représentants agréés. Le fabricant n'offre aucune autre garantie que cette garantie limitée et exclut expressément toute garantie tacite incluant toute garantie pour des dommages indirects.

Cette garantie est la seule garantie limitée expresse et le fabricant n'assume ni n'autorise personne à assumer ou à contracter aucune obligation envers ce produit, autre que cette garantie limitée expresse. Le fabricant n'offre aucune garantie quant au caractère marchand ou à l'adaptation à l'usage de ce produit et exclut expressément de telles garanties de cette garantie limitée. Certaines provinces ne permettent pas d'exclure ou de limiter les dommages accidentels ou indirects ou de limiter la durée de la garantie tacite de sorte que l'exclusion ou les limitations ci-dessus peuvent ne pas s'appliquer dans votre cas. «Cette garantie vous accorde des droits juridiques définis et vous pouvez avoir d'autres droits qui varient d'une province à une autre.»

- **CONSIGNES DE SÉCURITÉ IMPORTANTES** ●
- **CONSERVEZ CE GUIDE** ●



**Schumacher**<sup>®</sup> ELECTRIC CORP.

801 BUSINESS CENTER DRIVE • MOUNT PROSPECT, ILLINOIS 60056-2179 • 800-621-5485 • Ext. 322



## Free Manuals Download Website

<http://myh66.com>

<http://usermanuals.us>

<http://www.somanuals.com>

<http://www.4manuals.cc>

<http://www.manual-lib.com>

<http://www.404manual.com>

<http://www.luxmanual.com>

<http://aubethermostatmanual.com>

Golf course search by state

<http://golfingnear.com>

Email search by domain

<http://emailbydomain.com>

Auto manuals search

<http://auto.somanuals.com>

TV manuals search

<http://tv.somanuals.com>