

# MD 46

## Microphones | Dynamic Microphone

Cat. No. 005172

### General Description

The MD 46 is a high-quality reporter's microphone with cardioid pick-up pattern. It has been specially optimised for rough use in live reporting and broadcasting environments. The MD 46 is a very 'good-natured' microphone whose design avoids wind and handling noise problems. Colour: black.



### Features

- Excellent speech clarity due to optimised frequency response
- Rugged and easy-to-handle microphone body
- Good sound quality
- Excellent suppression of handling noise
- Two-ply sound inlet basket provides increased protection from wind and pop noise
- Delivery includes: 1 MD 46

### Recommended Accessories

- MZW 4032 windshield, anthracite
- MZW 1032-PRO velourised windshield, black
- MZQ 800 microphone clamp

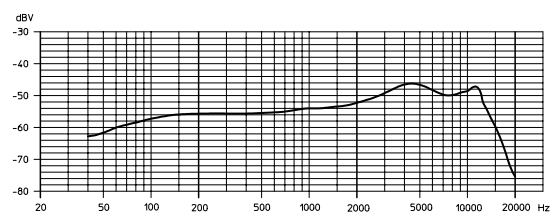
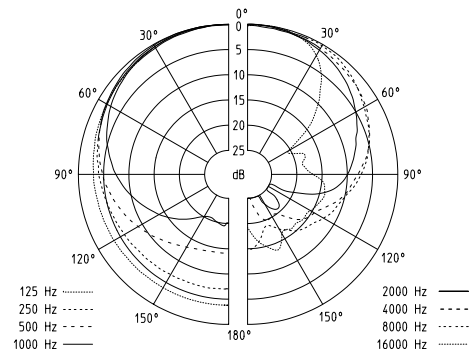
Cat. No. 002978

Cat. No. 003746

Cat. No. 004711

### Technical Data

Pick-up pattern .....	cardioid
Frequency response .....	40 – 18,000 Hz
Sensitivity (free field, no load, 1 kHz) .....	2.0 mV/Pa ± 2.5 dB
Nominal impedance (1 kHz) .....	350 Ω
Min. terminating impedance .....	1 kΩ
Connector .....	3-pin XLR
Dimensions .....	Ø 49 x 250 mm
Weight .....	approx. 360 g



### Profile

Cardioid reporter's microphone, very insensitive to wind and pop noise, max. front-to-back rejection at 1 kHz and 180°: 20 dB, frequency response 40 Hz to 18,000 Hz, sensitivity (free field, no load) 2.0 mV/Pa ± 2.5 dB at 1 kHz, nominal impedance 350 Ω at 1 kHz, min. terminating impedance 1,000 Ω, XLR-3 connector, dimensions Ø 49 x 250 mm, weight approx. 360 g.

## Free Manuals Download Website

<http://myh66.com>

<http://usermanuals.us>

<http://www.somanuals.com>

<http://www.4manuals.cc>

<http://www.manual-lib.com>

<http://www.404manual.com>

<http://www.luxmanual.com>

<http://aubethermostatmanual.com>

Golf course search by state

<http://golfingnear.com>

Email search by domain

<http://emailbydomain.com>

Auto manuals search

<http://auto.somanuals.com>

TV manuals search

<http://tv.somanuals.com>