

# SENTRY®

## Alarm Clock Radio

MODEL CR105



### Operating Instructions



**BEFORE OPERATING THIS PRODUCT, READ, UNDERSTAND, AND FOLLOW THESE INSTRUCTIONS.**

**Be sure to save this booklet for future reference.**



The Lightning flash with arrowhead symbol, with an equilateral triangle is intended to alert the user of the presence of uninsulated dangerous voltage within the product's enclosure that may be of sufficient magnitude to constitute a risk of electric shock to persons.



CAUTION: TO REDUCE THE RISK OF ELECTRIC SHOCK, DO NOT REMOVE COVER (OR BACK). NO USER SERVICEABLE PARTS INSIDE. REFER SERVICING TO QUALIFIED SERVICE PERSONNEL.



The exclamation point within an equilateral triangle is intended to alert the user of the presence of important operating and maintenance (servicing) instructions in the literature accompanying the appliance.

**CAUTION :** TO PREVENT ELECTRIC SHOCK, MATCH WIDE BLADE OF PLUG TO WIDE SLOT, FULLY INSERT.

**WARNING :** TO REDUCE THE RISK OF FIRE OR ELECTRIC SHOCK, DO NOT EXPOSE THE APPLIANCE TO RAIN OR MOISTURE.

## **SAFETY INSTRUCTIONS**

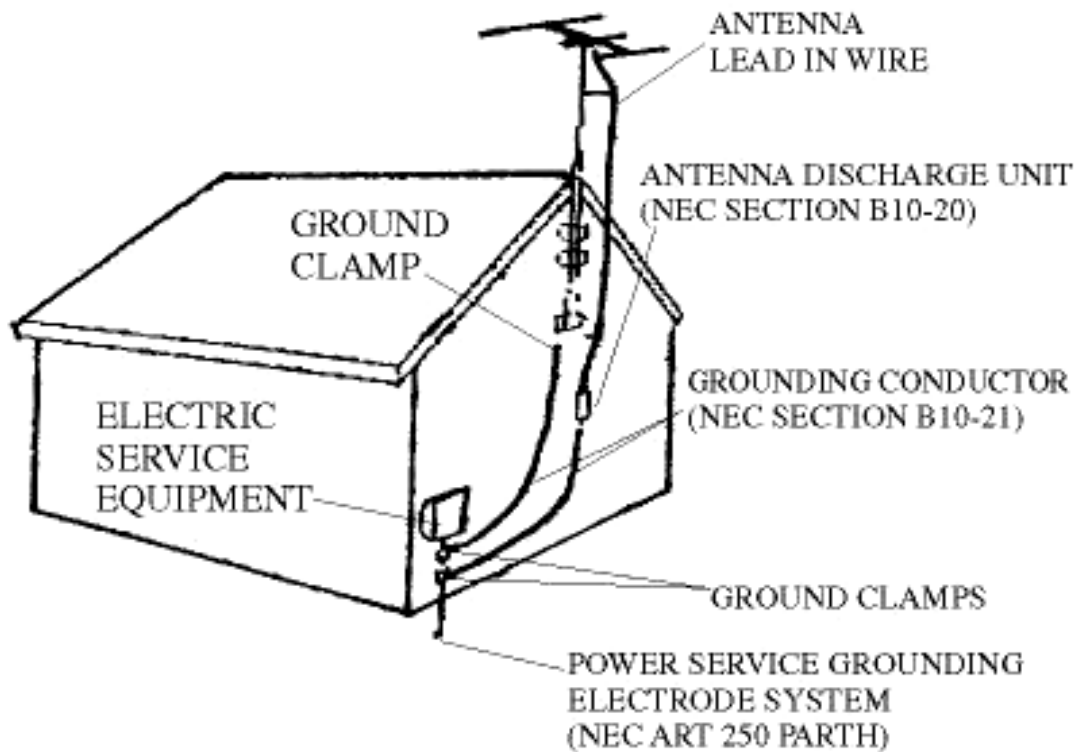
THESE IMPORTANT SAFETY INSTRUCTIONS ARE INCLUDED, AS APPLICABLE TO THE APPLIANCE, CONVEYING TO THE USER THE INFORMATION ITEMIZED BELOW

1. **Read instructions** - All the safety and operating instructions should be read before the appliance is operated.
2. **Retain instructions** - The safety and operating instructions should be retained for future reference.
3. **Head Warnings** - All warnings and cautions on the appliance and in the operating instructions should be adhered to.
4. **Follow instructions** - All operating and use instructions should be followed.

5. **Water and Moisture** - The appliance should not be used near water, e.g. near a bathtub, washbowl, kitchen sink, laundry tub, in a wet basement, or near a swimming pool or the like.
6. **Wall or Ceiling Mounting** - The appliance should not be mounted to a wall or ceiling.
7. **Ventilation** - The appliance should be situated so that its location or position does not interfere with its proper ventilation. For example, the appliance should not be situated on a bed, sofa, rug or similar surface that may block the ventilation openings, or placed in a built-in installation, such as a bookcase or cabinet, that may impede the flow of air through the ventilation openings.
8. **Heat** - The appliance should be situated away from neat sources such as radiators, heat registers, stoves, or other appliances (including amplifiers) that produce heat..
9. **Power Sources** - The product should be operated only with the type of power supply indicated on the marking label. If you are not sure of the type of power supply to your home, consult your product dealer or local power company. For products intended to operate from battery power, or other sources, refer to the operation instructions.
10. **Grounding Polarization** - This product may be equipped with a polarized alternating current line plug (a plug having one blade wider than the other). This plug will fit into the power outlet only one way this is a safety feature. If you are unable to insert the plug fully into the outlet, try reversing the plug. If the plug should still fail to fit, contact your electrician to replace your obsolete outlet. Do not defeat the safety purpose of the polarized plug.
11. **Power-Cord Protection** - Power supply cords should be routed so that they are not likely to be walked on or pinched by items placed upon or against them, paying particular attention to cords at plugs, convenience receptacles, and the point where they exit from the appliance.
12. **Cleaning** - Unplug this product from the wall outlet before cleaning. Do not use liquid cleaners or aerosol cleaners. Use a damp cloth for cleaning.
13. **Nonuse periods** - The power cord of the appliance should be unplugged from the outlet when left when left unused for a long period of time.
14. **Object and Liquid Entry** - Care should be taken so that objects do not fall and liquids are not spilled into the product case through product openings.
15. **Damage Requiring Service** - Unplug this product from the wall outlet and take it to qualified service personnel under the following conditions.
  - a) When the power-supply cord or plug is damaged.
  - b) If liquid has been spilled into, or objects have fallen into the product.

- c) If the product has been exposed to rain or water.
  - d) If the product does not operate when used according to the operating instructions.  
Adjust only those controls that are covered by the operating instructions as an improper adjustment of other controls may interfere with the product's normal operation.
  - e) If the product has been dropped or damaged in any way.
  - f) When the product exhibits a distinct change in performance-this indicates a need for service.
16. **Servicing** - The user should not attempt to service the product beyond that described in the operating instruction. All servicing should be referred to qualified service personnel.
  17. **Power Lines** - An outside antenna system should not be located in the vicinity of overhead power lines, or other electric light or power circuits, or where it can fall into such power lines or circuits. When installing an outside antenna system, extreme care should be taken to keep from touching power lines or circuits as contact with them might be fatal.
  18. **Outdoor Antenna Grounding** - If an outside antenna is connected to the receiver, be sure the antenna system is grounded so as to provide some protection against voltage surges and built up static. Section 810 of the National Electrical Code ANSI/NEFA 70 provides information with respect to proper grounding of the mast and supporting structure, grounding conductress, location of antenna-discharge unit, size of grounding electrodes, and requirements for the grounding electrode (see figure).
  19. **Lightning** - For added protection for this product during a lightning storm, or when it is left unattended and unused for long periods of time, unplug it from the wall outlet and disconnect the antenna or cable system. This will prevent damage to the product due to lightning and power-line surges.
  20. **Safety Check**-Upon completion of any service or repairs to this product, ask the service technician to perform safety checks to determine that the product is in proper operation condition.
  21. **Overloading**-Do not overload wall outlets, extension cords, or integral convenience receptacles as this can result in a risk of fir or electric shock.

**EXAMPLE OF ANTENNA GROUNDING AS PER  
NATIONAL ELECTRICAL CODE**



NEC NATIONAL ELECTRICAL CODE

Do not apply oil or petroleum products to this product.

**CAUTION**

Invisible laser radiation will be emitted when the product is open and interlocks are defeated. Do not defeat the safety interlocks.

GRAPHIC SYMBOLS WITH SUPPLEMENTARY MARKINGS ARE LOCATED AT THE BACK OF THE UNIT.

USE OF CONTROLS, ADJUSTMENTS, OR PERFORMANCE PROCEDURE HEREIN MAY RESULT IN HAZARDOUS RADIATION EXPOSURE.

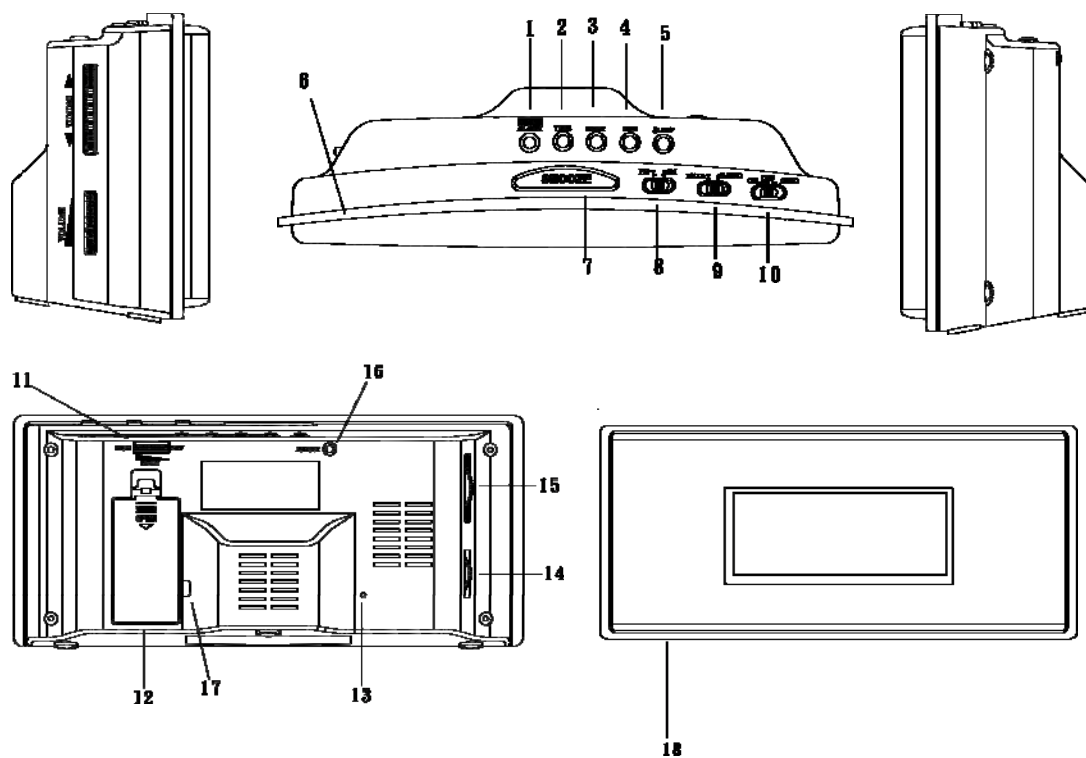
## **IMPORTANT INFORMATION REQUIRED BY THE FCC**

This device complies with Part 15 of the FCC Rules. Operation is subject to the following two conditions: (1) this device may not cause harmful interference; and (2) this device must accept any interference received, including interference that may cause undesirable operation.

**NOTE:** This equipment has been tested and found to comply with the limits for a Class B digital device, pursuant to Part 15 of the FCC Rules. These limits are designed to provide reasonable protection against harmful interference in a residential installation. This equipment generates, uses, and can radiate radio frequency energy and, if not installed and used in accordance with instructions, may cause harmful interference to radio reception, which can be determined by turning the equipment off and on. Try to correct the interference by using one or more of the following measures:

- Reorient or relocate the receiving antenna.
- Increase the separation between the equipment and receiver.
- Connect the equipment into an outlet on a circuit different from that to which the receiver is connected.
- Consult the dealer or an experienced radio/TV technician for help

## LOCATION OF CONTROLS:



1. ALARM SET/OFF BUTTON
2. TIME SET BUTTON
3. HOUR SET BUTTON
4. MINUTE SET BUTTON
5. SLEEP BUTTON
6. DIAL POINTER SCALE
7. SNOOZE BUTTON
8. BAND SELECTOR SWITCH
9. ALARM (BUZZER/RADIO/AUX) SWITCH
10. FUNCTION (ON/OFF/AUTO) SWITCH
11. NIGHT LIGHT (ON/OFF/DIMMER) CONTROL
12. BATTERY COMPARTMENT
13. FM ANTENNA WIRE
14. VOLUME CONTROL
15. TUNING CONTROL
16. AUDIO IN JACK
17. AC POWER CORD
18. NIGHT LIGHT

## **POWER CONNECTION**

Plug the AC POWER CORD to the household outlet. Make sure the voltage is correct for safety purpose and prevent plausible damages to the set.

Connect one 9 volt battery (not included) to the battery terminals in the BATTERY COMPARTMENT. It maintains the clock function whenever the AC power is interrupted.

REMARK: The time display will not exhibit during power failure. But the clock display will continue at the correct time once the main power supply is resumed.

## **RADIO OPERATION**

1. Set the FUNCTION SWITCH to "ON" position and the ALARM SWITCH to "RADIO" position.
2. Set the BAND SELECTOR SWITCH to desired AM/FM.
3. Select the desired station with TUNING CONTROL.
4. Adjust the volume level with VOLUME VONTROL.
5. To obtain better FM reception, lay out the FM ANTENNA WIRE to its full extent. NOTE: Do not connect FM antenna to outside antenna.
6. The radio can be switched off by setting FUNCTION SWITCH to the "OFF" position.

## **HOW TO SET THE CLOCK**

1. Press the TIME SET BUTTON simultaneously with HOUR SET BUTTON for hour settings or MINUTE SET BUTTON for minute settings.

## **TO SET THE ALARM TO WAKE TO RADIO**

1. Press the ALARM SET OFF BUTTON simultaneously with HOUR SET BUTTON for hour settings or MINUTE SET BUTTON for minute settings. Slide the BAND SELECTOR SWITCH to AM or FM position. Select a radio station and make sure the volume is set as desired level.
2. Slide the FUNCTION SWITCH to the "AUTO" position. Slide the ALARM SWITCH to the "RADIO/AUX" position. The ALARM RADIO ICON will light indicating the alarm is now activated. When the actual time matches the selected preset alarm time, the radio will automatically turn on for 1 hour and 59 minutes and then shuts off.

## **TO SET THE ALARM TO WAKE TO BUZZER**

1. Press the ALARM SET OFF BUTTON simultaneously with HOUR SET BUTTON for hour settings or MINUTE SET BUTTON for minute settings.
2. Slide the FUNCTION SWITCH to the "AUTO" position. Slide the ALARM SWITCH to the "BUZZER" position. The ALARM BUZZER ICON will light indicating the alarm is now activated. When the actual time matches the



selected preset alarm time, the buzzer will automatically turn on for 1 hour and 59 minutes and then shuts off.

### **SWITCHING OFF THE ALARM**

1. To switch off the alarm set, just press the ALARM SET/OFF BUTTON once and the alarm time will be reset for the next day.
2. Or slide the FUNCTION SWITCH to the "OFF" position to turn off the alarm (the alarm time will not be reset for the next day).

### **SNOOZE OPERATION**

The alarm can be temporarily turned off manually by pressing the SNOOZE BUTTON. The alarm will turn on again automatically after 9 minutes. You can repeat this process again and again for about 1 hour.

REMARK: If you want to completely shut off the alarm, please press the ALARM OFF BUTTON.

### **SLEEP TIMER OPERATION**

1. This clock radio is equipped with a "sleep timer" which will switch off the radio automatically after pre-selected period from 1 hour 59 minutes to 1 minute.
2. Press SLEEP BUTTON, the display will show 0:59 sleep time. At the same time, radio will be on and stay for 59 minutes.
3. To shorten the sleep time, press SLEEP BUTTON together with the MINUTE SET BUTTON and TIME SET BUTTON until the desired sleep time is shown on display.
4. After pre-selected sleep time had elapsed, the radio will switch off automatically. To switch it off before the pre-selected sleep time gets elapsed, press the SNOOZE BUTTON.

### **WORKING WITH AUDIO SOURCE**

1. Use the included audio cable to join the audio source to the AUX IN JACK on the back of the unit.
2. Slide the FUNCTION SWITCH to the "ON" position and the ALARM SWITCH to "RADIO/AUX" position.
3. Adjust volume of the audio in order to get a better amplifying effect.

NOTE: DO NOT turn the audio source to too high volume to avoid overloading. The output sound (radio) of the main unit will be eliminated and replaced once the "AUDIO IN" JACK has connected to other audio source. The sound will resume once the connective wire is removed from the jack.

If "audio in" function is in use for broadcasting music, the alarm sound will insert into the music at the pre-set wake up time. To stop the sound, simply

press the ALARM SET/OFF BUTTON or slide the FUNCTION SWITCH to the "OFF" position.

### **LED NIGHT LIGHT OPERATION**

- To set the LED night light to the desired level by sliding the LIGHT CONTROL.
- To turn off the LED night light, slide the LIGHT CONTROL to "OFF" position until you hear the "click" sound.

### **SPECIFICATIONS**

Frequency range: AM 530 – 1700 KHz

FM 88 – 108 MHz

Output power: 500mW

Speaker impedance: 8 ohm x 2

Battery backup: 9V Battery (for clock)

Power source: AC110V ~ 60Hz

WARNING: To reduce the risk of fire or electric shock does not expose this appliance to rain or moisture.

Dripping Warning: "The product shall not be exposed to dripping or splashing and that objects filled with liquids, such as vases, shall be places on the product."

Ventilation Warning: "The normal ventilation of the product shall not be impeded for intended use."

- No naked flame sources, such as lighted candles, should be placed on the apparatus;
- Do not place the product in closed bookcases or racks without proper ventilation.

## Free Manuals Download Website

<http://myh66.com>

<http://usermanuals.us>

<http://www.somanuals.com>

<http://www.4manuals.cc>

<http://www.manual-lib.com>

<http://www.404manual.com>

<http://www.luxmanual.com>

<http://aubethermostatmanual.com>

Golf course search by state

<http://golfingnear.com>

Email search by domain

<http://emailbydomain.com>

Auto manuals search

<http://auto.somanuals.com>

TV manuals search

<http://tv.somanuals.com>