

Thank you for purchasing a Shakespeare antenna product. Customer comments are welcome. Before installing, please study the diagram and check parts supplied against those listed.

- | Supplied Parts | |
|----------------|---------------------------|
| 1 | Standoff Bracket assembly |
| 1 | 1" Reducing adapter |
| 1 | 1 1/8" Reducing adapter |

IMPORTANT! Please read all instructions before installing.

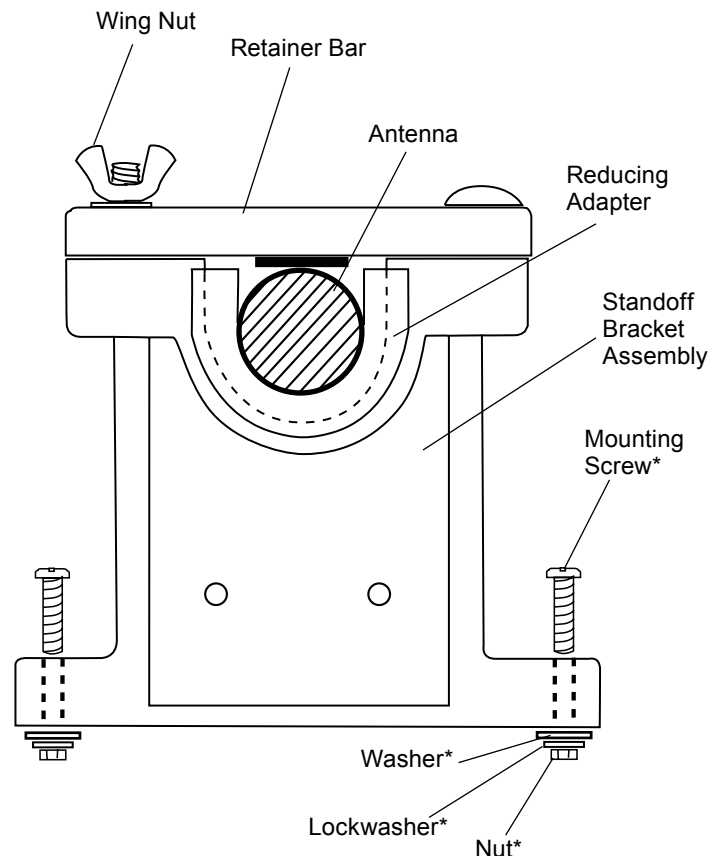
The Style 408-R Standoff Bracket is a support and insulator bracket for use with 1 1/2" antennas, and for antennas of 1 1/8" and 1" diameter by using the appropriate adapter (supplied).

Tools required: Drill and drill bit for 1/4" screws; screwdriver; wrench or pliers

Installation Instructions

Choose an antenna mounting location that is as high as feasible, as free as possible from obstructions, and as far as possible from other antennas and strong sources of RF.

1. Loosen the wing nut on top of the Standoff Bracket and slide the retainer bar out of the way. Gently place the antenna in its mounting position in the U-shaped opening in the bracket. For 1 1/8" and 1" antennas, put the appropriate reducing adapter (supplied) in the opening.
2. Rotate the retainer bar over the antenna to lock it in place.
3. Using the Standoff Bracket itself as a template, mark the position for its mounting holes.
4. Drill 1/4" mounting holes, and install the bracket using stainless steel machine screws, washers, lockwashers, and nuts (hardware sold separately). For mounting to some types of surfaces, you might need to substitute stainless steel woodscrews or other hardware (not supplied).



IMPORTANT: If the thickness of the mounting surface is not adequate to support the antenna under expected stress, a wooden back-up pad (not supplied) should be applied underneath the mounting surface during installation.

5. Tighten the wing nut to secure the antenna in the bracket. The completed installation should attach the antenna firmly to the mounting surface, leaving no "play" between the antenna and the standoff bracket.

* Not supplied. For some types of mounting surfaces you might need stainless steel woodscrews or other hardware.

Shakespeare Electronic Products Group

U.S. Operations: 6111 Shakespeare Rd. · Columbia, SC 29223 · 803-227-1590 · Fax: 803-419-3099 · www.shakespeare-marine.com
 U.K. Operations: Enterprise Way, Fleetwood, Lancashire, FY7 8RY, England · +44 (0) 1253 858787 · Fax: +44 (0) 1253-859595 · www.vtronix-antennas.com

Free Manuals Download Website

<http://myh66.com>

<http://usermanuals.us>

<http://www.somanuals.com>

<http://www.4manuals.cc>

<http://www.manual-lib.com>

<http://www.404manual.com>

<http://www.luxmanual.com>

<http://aubethermostatmanual.com>

Golf course search by state

<http://golfingnear.com>

Email search by domain

<http://emailbydomain.com>

Auto manuals search

<http://auto.somanuals.com>

TV manuals search

<http://tv.somanuals.com>