

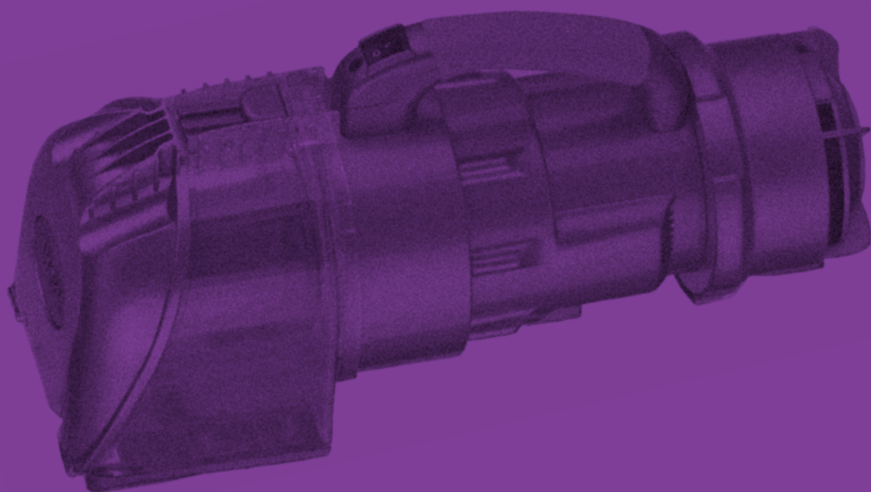
# ***Shark***<sup>®</sup>

OWNER'S GUIDE

---

NH130

---



# IMPORTANT SAFETY INSTRUCTIONS SAVE THESE INSTRUCTIONS

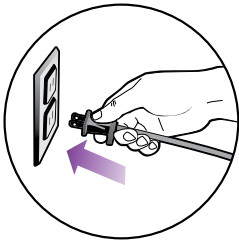
## For Household Use Only

**WHEN USING AN ELECTRICAL APPLIANCE, BASIC SAFETY PRECAUTIONS SHOULD ALWAYS BE OBSERVED, INCLUDING THE FOLLOWING:**

**READ ALL INSTRUCTIONS BEFORE USING YOUR SHARK® NAVIGATOR PORTABLE POWER VAC.**

### **POLARIZED PLUG:**

To reduce the risk of electric shock, this appliance has a polarized plug (one blade is wider than the other). As a safety feature, this plug will fit into a polarized outlet only one way. If the plug does not fit fully into the outlet, reverse the plug. If it still does not fit, contact a qualified electrician. **DO NOT force into outlet or try to modify to fit.**



**⚠ WARNING:** To reduce the risk of electric shock or injury, do not use outdoors or on wet surfaces.

## **WARNING:**

**TO REDUCE THE RISK OF FIRE, ELECTRIC SHOCK OR INJURY:**

### **GENERAL ELECTRICAL SAFETY:**

1. Unplug from electrical outlet when not in use and before servicing.
2. **DO NOT** use vacuum with a damaged cord or plug. If appliance is not working as it should, has been dropped, damaged, left outdoors, or dropped into water, return it to EURO-PRO Operating LLC for examination, repair, or adjustment.
3. **DO NOT** pull or carry vacuum by the cord.
4. **DO NOT** unplug by pulling on cord; to unplug, grasp the plug, not the cord.
5. **DO NOT** handle plug or appliance with wet hands.
6. **DO NOT** run the vacuum over the power cord.
7. **DO NOT** use the cord as a handle.
8. **DO NOT** close a door on the cord.
9. **DO NOT** pull cord around sharp corners. The use of an extension cord is not recommended.
10. **DO NOT** leave appliance when plugged in.
11. Keep cord away from heated surfaces.
12. Turn off all controls before plugging or unplugging vacuum cleaner.

### **HOSE ATTACHMENTS:**

1. **DO NOT** use if air flow is restricted; if the air paths, the hose, or the accessories become blocked, turn the vacuum cleaner off. Remove all obstructions before you turn on the unit again.
2. Keep the end of the hose and accessory openings away from face and body.
3. Keep cleaning tools and hose suction openings away from hair, face, fingers, uncovered feet, or loose clothing.
4. Only use manufacturer's recommended attachments.

### **GENERAL USE:**

1. Use only as described in this manual.
2. **DO NOT** put any objects into openings. **DO NOT** use with any opening blocked; keep free of dust, lint, hair, and anything that may reduce air flow.
3. Keep your work area well lit.
4. **DO NOT** place vacuum on unstable surfaces such as chairs or tables.
5. **DO NOT** allow young children to operate the vacuum or use as a toy. Close attention is necessary when used by or near children.
6. **DO NOT** use vacuum cleaner if it has been dropped, damaged, left outdoors, or submerged in water. Return to EURO-PRO Operating LLC for examination, repair, or adjustment.
7. **DO NOT** use without dust cup and/or filters in place.

### **DUST CUP/FILTERS/ACCESSORIES:**

1. Before turning on the vacuum:
  - Make sure that all filters are thoroughly dry after routine cleaning.
  - Make sure that dust cup and all filters are in place after routine maintenance.
  - Make sure accessories are free of blockages.
  - Only use filters and accessories provided by EURO-PRO Operating LLC. [Failure to do so will void the warranty.]

### **GENERAL CLEANING:**

1. **DO NOT** pick up large-sized objects.
2. **DO NOT** pick up hard or sharp objects such as glass, nails, screws or coins that could damage the vacuum cleaner.
3. **DO NOT** pick up smoking or burning objects such as hot coals, cigarette butts, or matches.
4. **DO NOT** pick up flammable or combustible materials such as lighter fluid, gasoline, or kerosene or use vacuum in areas where they may be present.
5. **DO NOT** pick up toxic solutions such as chlorine bleach, ammonia, or drain cleaner.
6. **DO NOT** use in an enclosed space where vapors are present from paint, paint thinner, moth-proofing substances, flammable dust or other explosive or toxic materials.
7. **DO NOT** vacuum up any liquids.
8. **DO NOT** immerse vacuum cleaner in water or other liquids.
9. **DO NOT** use outdoors or on wet surfaces; use only on dry surfaces.
10. Use extra care when cleaning on stairs.

Thank you for  
purchasing  
the Shark®  
Navigator  
Portable  
Power Vac.

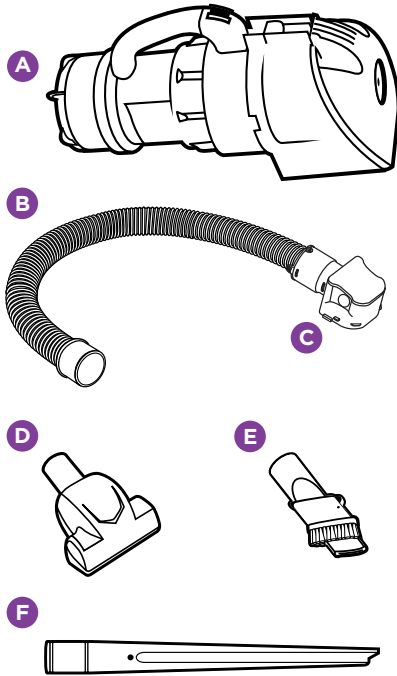
Getting Started ..... 6  
How to Use ..... 8  
Maintenance ..... 10  
    Emptying the Dust Cup ..... 10  
    Cleaning the Pre-Motor Filters ..... 11  
    Cleaning the Post-Motor Filter ..... 12  
Checking for Blockages ..... 13  
Troubleshooting Guide ..... 16  
Warranty ..... 17  
Registration ..... 19

**TECHNICAL SPECIFICATIONS**

Voltage: 120V., 60Hz.  
Power: 800 Watts  
6.67 Amps



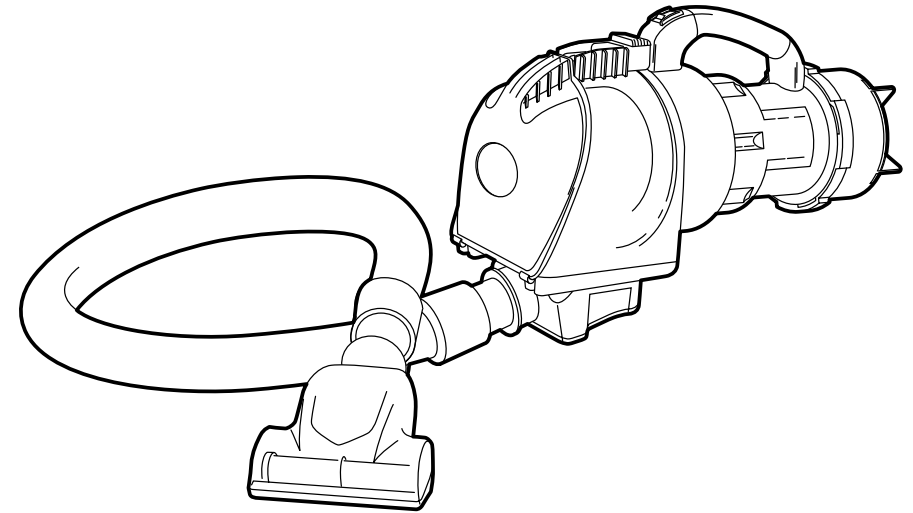
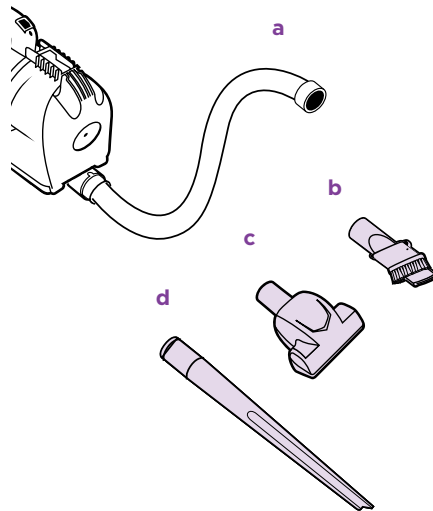
## Getting Started



### FIRST THING'S FIRST, YOU NEED TO KNOW WHAT'S IN THE BOX YOU JUST OPENED:

- A Portable Power Vac
- B Flexible Hose
- C Hose Connector
- D Pet Hair Power Brush
- E 2-in-1 Crevice/Dusting Tool
- F Long Reach Crevice Tool
- G Storage Bag (not shown)

Use the Portable Power Vac as a stand alone vacuum for spot-cleaning small areas and large piles of debris, or with the Flexible Hose and cleaning tools for above-floor cleaning.



**NOTE:** Always turn power off before attaching or detaching accessories.

### FLEXIBLE HOSE

With the right cleaning tool in place and the Flexible Hose, you can extend your reach into hard-to-clean areas. **(fig. a)**

**NOTE:** Use the Hose without any accessories attached for large debris cleaning.

### 2-IN-1 CREVICE/DUSTING TOOL

Allows you to reach into narrow cleaning spaces, between cushions, under radiators and baseboards, or hard-to-reach corners; it also allows you to dust a variety of surfaces from furniture and window blinds to lamp shades and book shelves. In addition, the nylon bristles make the tool safe to use on most fabric surfaces. **(fig. b)**

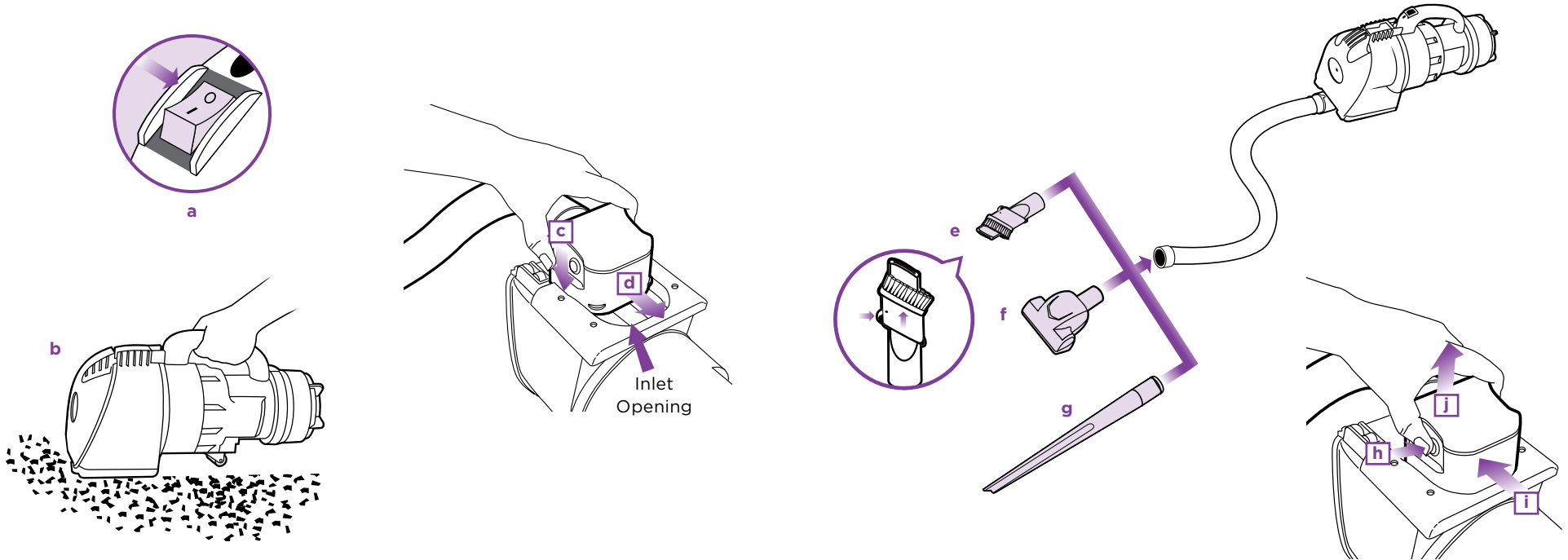
### PET HAIR POWER BRUSH

This unique tool was engineered for fast and easy removal of pet hair and ground-in dirt from carpeted stairs and upholstery. **(fig. c)**

### LONG REACH CREVICE TOOL

Use this tool for extra reach and for cleaning behind radiators, up in the corners of the ceiling and all kinds of narrow spaces. **(fig. d)**

## How to Use



### USING THE PORTABLE POWER VAC

- 1 While holding the Vacuum, press the Power Button to begin cleaning. (fig. a)

**NOTE:** Always hold vacuum by the Handle while pressing the Power Button to turn on or off and during use.

- 2 Make sure all the three wheels are resting on a flat surface. This guides the debris into the Inlet Opening. (fig. b)

**NOTE:** Because of the powerful suction of the Vacuum, take care when cleaning scatter-type rugs and carpets with more delicate edges.

- 3 Empty Dust Cup after cleaning and periodically during cleaning when it appears full. (See “Maintenance” section for instructions.)

### USING THE PORTABLE POWER VAC WITH FLEXIBLE HOSE AND ACCESSORIES

For cleaning and dusting above-the-ground and for hard-to-reach places.

- 4 Turn the Vacuum over and attach the Hose Connector to the Inlet Opening by aligning the arrows, pressing the Connector down through the slots (fig. c) and then sliding it towards the back of the unit (fig. d) until you hear it click into place.

- 5 Attach a cleaning tool to the other end of the Hose:
  - 2-in-1 Crevice/Dusting Tool (fig. e)

**NOTE:** To convert the Crevice Tool into a Dusting Tool, press the button on the side and slide the nylon bristle collar up.

- Pet Hair Power Brush (fig. f)
- Long Reach Crevice Tool (fig. g)

- 6 While holding the Vacuum by the Handle, press Power Button to begin cleaning.
- 7 Hold the vacuum by the Handle and press the Power Button to turn off.

- 8 Remove the Flexible Hose and Hose Connector from the Vacuum by pressing and holding the release button on the side of the Hose Connector (fig. h) while you slide it toward the front of the Vacuum (fig. i) and lift out. (fig. j)

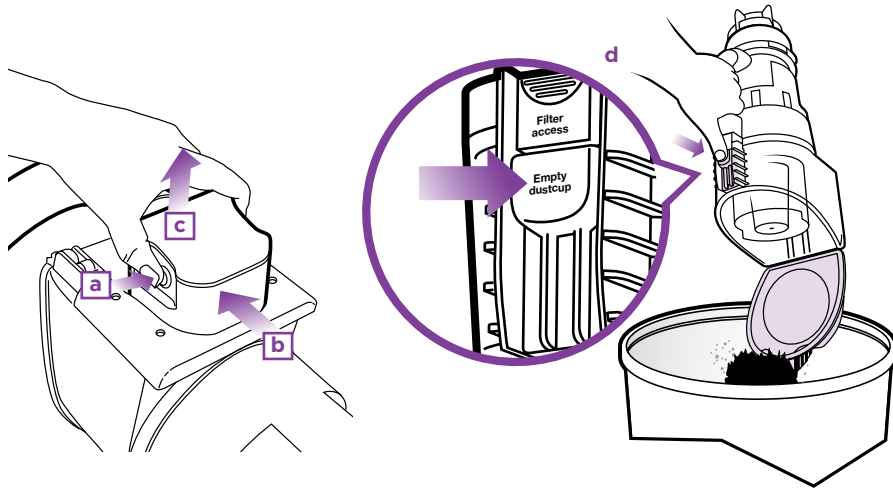
**NOTE:** Always remove the Hose Connector before emptying Dust Cup.

- 9 Empty Dust Cup after cleaning and periodically during cleaning when it appears full. (See “Maintenance” section for instructions.)
- 10 When you are finished cleaning, unplug the vacuum and remove accessories. Store all accessories in the storage bag and place in a cool dry place for storage along with the vacuum.

## Maintenance

- ⚠ To reduce the risk of electric shock, unplug the unit before performing any cleaning, maintenance, or troubleshooting checks.
- ⚠ Reassemble all parts securely before operating vacuum.

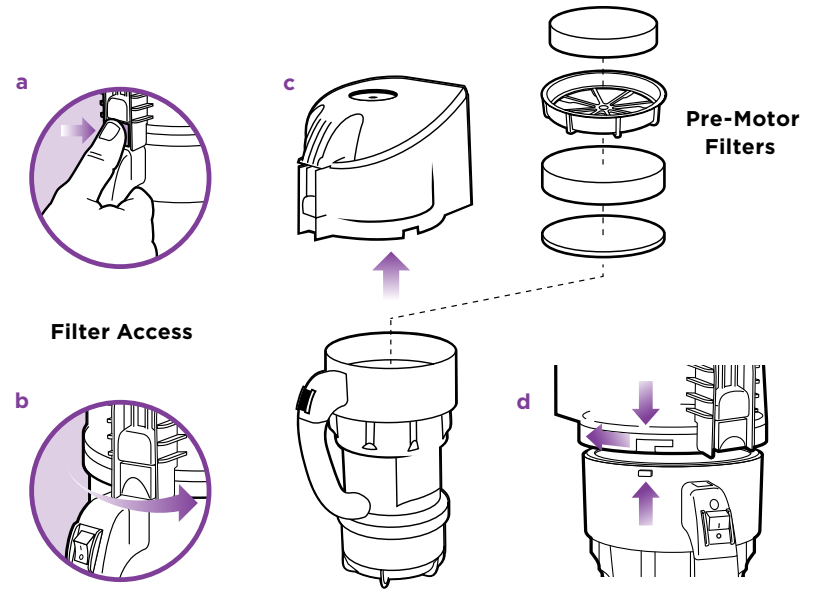
COMPONENT	MAINTENANCE SCHEDULE
1 Dust Cup	Empty each time you clean.
2 Pre-Motor Foam Filters (2)	Rinse and dry every month under normal use.
3 Pre-Motor Large Felt Filter (1)	Rinse and dry every month under normal use.
4 Post-Motor Foam Filters (1)	Rinse and dry every 6 months under normal use.
5 Post-Motor Felt Filters (1)	DO NOT rinse Post-Motor Felt Filter



### EMPTYING THE DUST CUP

- ⚠ The Dust Cup needs to be emptied each time you vacuum and periodically during cleaning, when the Dust Cup appears full.
- 1 Remove the Flexible Hose and Hose Connector from the Vacuum by pressing and holding the release button on the side of the Hose Connector (**fig. a**) while you slide it toward the front of the Vacuum (**fig. b**) and lift out. (**fig. c**)

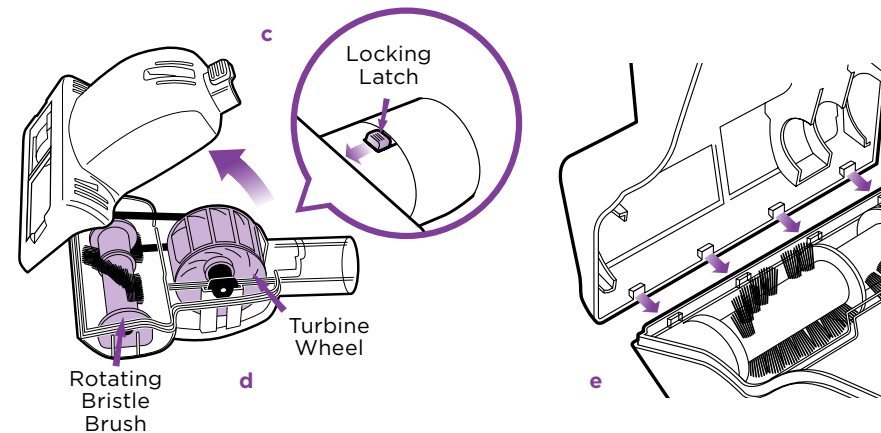
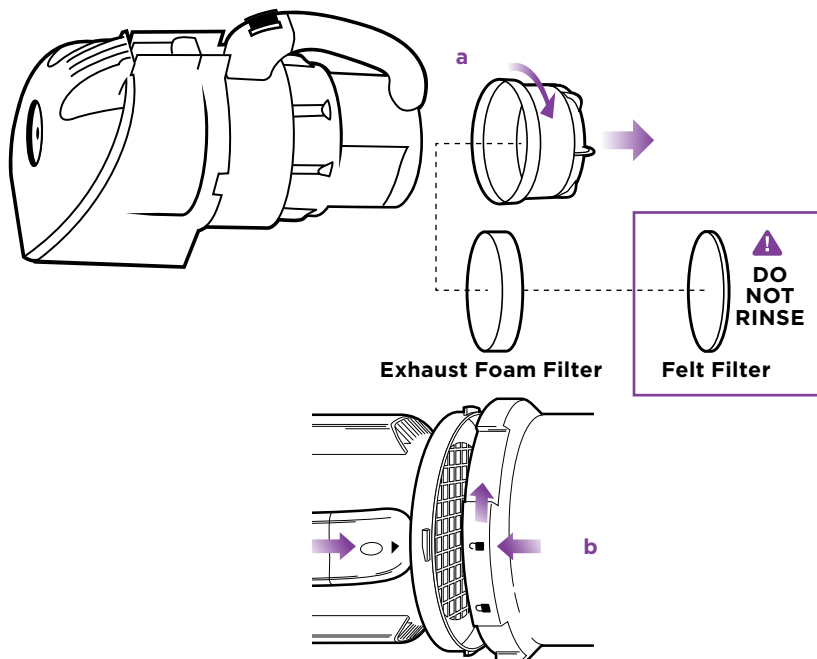
- 2 Hold Vacuum over a trash receptacle and press the Dust Cup Release Button to release the door. Tap gently to empty contents. (**fig. d**)
- 3 Press the door shut again until it clicks.
- 4 Check to make sure door is secure before turning the Vacuum on.



### CLEANING THE PRE-MOTOR FILTERS

- 1 Stand the Vacuum up with the Dust Cup on the top and the Handle facing you.
  - 2 Slide the Filter Access Button upward to unlatch the Dust Cup from the Vacuum. (**fig. a**)
  - 3 While holding the Filter Access button, twist the Dust Cup to the right (**fig. b**) so that the Black Triangle on the Dust Cup aligns with the 'Unlock' Symbol on the Vacuum.
  - 4 Remove the Dust Cup and pull out the gray Filter Holder with Small Foam Filter. Pull out Large Foam and Felt Filters. (**fig. c**)
  - 5 Rinse all filters thoroughly in lukewarm water until the water runs clear.
  - 6 Squeeze out excess water and let air-dry for 24 hours before replacing; do not use hair dryer or other heating methods to dry.
  - 7 Make sure all filters are completely dry before inserting back into Vacuum.
  - 8 To re-insert Filters:
    - Place the Large Felt Filter into Vacuum first.
    - Next, place the Large Foam Filter.
    - And finally, place the Filter Holder with Small Foam Filter tucked inside.
  - 9 Align locking grooves of the Dust Cup with tab on the Vacuum body. First push the Dust Cup down and then to the left (**fig. d**) until you hear the Filter Access Button securely in place and the Black Triangle on the Dust Cup is aligned with the 'Locked' Symbol on the Vacuum
- ⚠ DO NOT operate the vacuum without ALL the filters in place.
  - ⚠ DO NOT operate the vacuum with WET filters.

## Checking for Blockages



### CLEANING THE POST MOTOR FOAM FILTER

- 1 Lay the Vacuum down with the Handle facing up.
- 2 Twist the Exhaust Filter Compartment so that the Black Triangle on the Handle aligns with the 'Unlock' Symbol on the Exhaust Filter Compartment and remove. (fig. a)
- 3 Pull out Foam Filter.
- 4 Rinse only the Foam Filter thoroughly in lukewarm water until the water runs clear.
- 5 Squeeze out excess water and let air-dry for 24 hours before replacing; do not use hair dryer or other heating methods to dry.
- 6 Make sure the filter is completely dry and insert it back into Exhaust Filter Compartment.

- 7 Grip Exhaust Filter Compartment and align 'Unlock' Symbol with Black Triangle on Handle of the Vacuum.
- 8 Push Exhaust Filter Compartment into Vacuum and twist so that the Black Triangle on the Handle aligns with the 'Locked' Symbol on the Exhaust Filter Compartment to lock it into place. (fig. b)

- ⚠ **DO NOT** operate the vacuum without ALL the filters in place.
- ⚠ **DO NOT** operate the vacuum with **WET** filters.

Blockages may cause your vacuum to overheat and shut down. To prevent this from happening, check potential blockage areas after heavy use or if you detect a loss of suction or poor cleaning performance.

#### 1 DUST CUP

Dust Cup may be full. Empty Dust Cup. For instructions on how to empty the Dust Cup, see p. 10.

#### 2 FILTERS (FOAM AND FELT)

Ensure that both the Pre and Post Motor Filters are clean. For cleaning instructions see p.11 & 12.

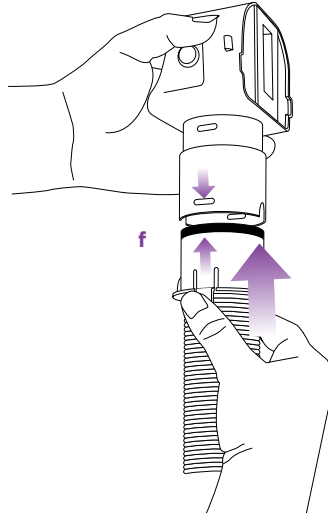
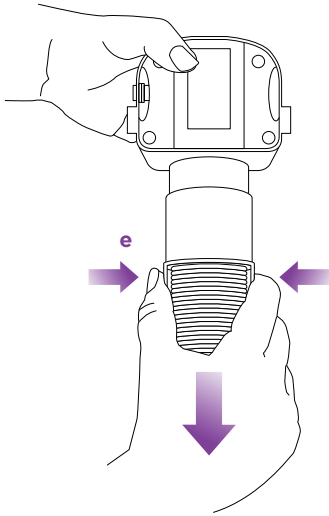
#### 3 ACCESSORIES

- Check intake openings:
  - 2-in-1 Crevice/Dusting Tool
  - Pet Hair Power Brush
  - Long Reach Crevice Tool

### CLEANING THE PET HAIR POWER BRUSH

- Turn the Pet Hair Power Brush over, slide the locking latch forward and tilt the cover upward to remove. (fig. c)
- Inspect the rotating bristle brush, turbine wheel and air passage. (fig. d)
- Remove any blockage or debris and carefully, without damaging the bristles or belt, cut any build-up of hair or string wrapped around the rotating bristle brush with scissors.
- To reassemble, first insert the tabs on the front edge of the cover into the matching holes in the top half of the Pet Hair Power Brush and tilt the cover back down pressing until it clicks into place. (fig. e)

## Troubleshooting Guide



### 5 FLEXIBLE HOSE AND HOSE CONNECTOR

- Remove Hose Connector from the Vacuum.
- Detach the Flexible Hose from the Hose Connector by squeezing the tabs and gently pulling out. (fig. e)
- Check inside the Hose.
- Check inside the Hose Connector.
- Check the Vacuum Inlet Opening.
- Snap the Flexible Hose back onto the Hose Connector by aligning the tabs on the Hose with the holes on the Hose Connector and pushing the two pieces together until they click back into place. (fig. f)

- ⚠ To reduce the risk of electric shock, unplug the unit before performing any cleaning, maintenance, or troubleshooting checks.
- ⚠ **WARNING:** Never insert sharp objects into any opening to clear an obstruction.
- ⚠ **IMPORTANT:** Damages caused while clearing or attempting to clear blockages are not covered under your product's limited warranty.
- ⚠ Reassemble all parts securely before operating vacuum.

PROBLEM	POSSIBLE REASONS & SOLUTIONS
<b>Vacuum is not picking up dirt.</b>	<p>Check Filters to see if they need cleaning. Follow instructions for rinsing and drying the Filters before re-inserting back into the Vacuum. (See "Maintenance" sections for instructions.)</p> <p>Dust Cup may be full; empty Dust Cup.</p> <p>Check Hose and Hose connections for blockages; clear blockages if required.</p> <p>If Dust Cup is empty, and attachment inlets are clear, check for other blockages. (See "Checking for Blockages" for instructions.)</p>
<b>Vacuum lifts scatter rugs (lightweight, movable rugs).</b>	<p>Because the suction is powerful, take care when vacuuming scatter-type rugs or rugs with delicately sewn edges.</p>
<b>Airflow is restricted. No suction or light suction.</b>	<p>Check Filters to see if they need cleaning. Follow instructions for rinsing and drying the Filters before re-inserting back into the Vacuum. (See "Maintenance" sections for instructions.)</p> <p>Dust Cup may be full; empty Dust Cup.</p> <p>Check Hose and Hose connections for suction strength; clear blockages if required.</p> <p>If Dust Cup is empty, and attachment inlets are clear, check for other blockages. (See "Checking for Blockages" for instructions.)</p>
<b>Vacuum turns off on its own.</b>	<p>This vacuum cleaner is equipped with a motor protective thermostat. If for some reason your vacuum overheats, the thermostat will automatically turn the unit off. Should this occur, perform the following steps to restart the motor thermostat:</p> <ol style="list-style-type: none"> <li>1. Move the Power Button to the "O" (Off) position.</li> <li>2. Unplug the vacuum.</li> <li>3. Empty the Dust Cup and clean Filters. (See "Maintenance" sections for instructions.)</li> <li>4. Check for blockages in hose, accessories and inlet opening. (See "Checking for Blockages" for instructions.)</li> <li>5. Allow the unit to cool for a minimum of 45 minutes.</li> <li>6. Plug in the vacuum.</li> <li>7. Turn the Power Switch to the "I" (On) position to restart the vacuum.</li> </ol> <p><b>Note:</b> If vacuum still does not start, contact Customer Service at: 1-800-798-7398.</p>





Look for these other great Shark® products  
at your favorite Shark® retailer  
or on the web at [www.sharkclean.com](http://www.sharkclean.com)



Steam Pocket® Mop



18 V Pet Perfect™ II Cordless Hand Vac



Full range of Professional Irons

## OWNERSHIP REGISTRATION CARD FOR CANADIAN CONSUMERS ONLY

Please fill out and mail the product registration card within ten (10) days of purchase. The registration will enable us to contact you in the unlikely event of a product safety notification. By returning this card you acknowledge to have read and understood the instructions for use, and warnings set forth in the accompanying instructions.

Mail to the following address:

- EURO-PRO Operating LLC  
4400 Bois Franc, St.Laurent, Québec, Canada H4S 1A7

Owner's Name:

Address:

City:

Province:

Postal Code:

<input type="text"/>	<input type="text"/>	<input type="text"/>
----------------------	----------------------	----------------------

Date Purchased:

Name of Store:

Appliance Model:

Shark®

U.S.: EURO-PRO Operating LLC  
Newton, MA 02459

Canada: EURO-PRO Operating LLC  
4400 Bois Franc  
Ville St. Laurent, Québec H4S 1A7

1-800-798-7398

[www.sharkclean.com](http://www.sharkclean.com)

COPYRIGHT © EURO-PRO OPERATING LLC 2009

PRINTED IN CHINA

REV. 091224

Illustrations may differ with actual product.

Download from [Www.Somanuals.com](http://Www.Somanuals.com). All Manuals Search And Download.

## Free Manuals Download Website

<http://myh66.com>

<http://usermanuals.us>

<http://www.somanuals.com>

<http://www.4manuals.cc>

<http://www.manual-lib.com>

<http://www.404manual.com>

<http://www.luxmanual.com>

<http://aubethermostatmanual.com>

Golf course search by state

<http://golfingnear.com>

Email search by domain

<http://emailbydomain.com>

Auto manuals search

<http://auto.somanuals.com>

TV manuals search

<http://tv.somanuals.com>