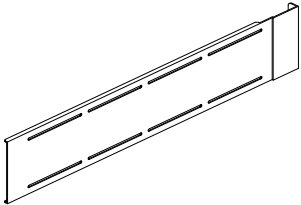
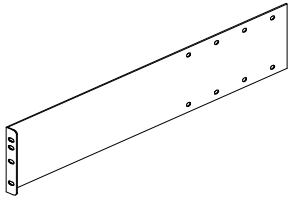
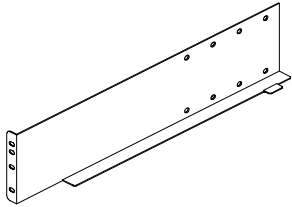
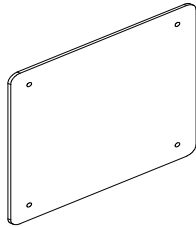


T3 Rack Mount Kit

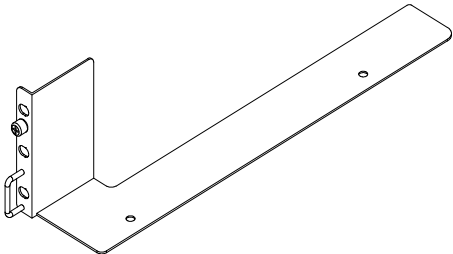
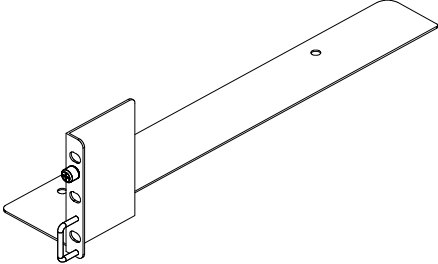
Installation Instructions
for the Sun Microsystems StorEdge T3 Array

T3-R19-H

Kit Contents

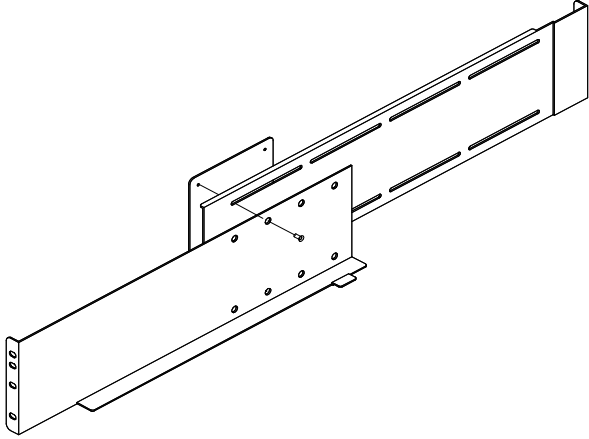
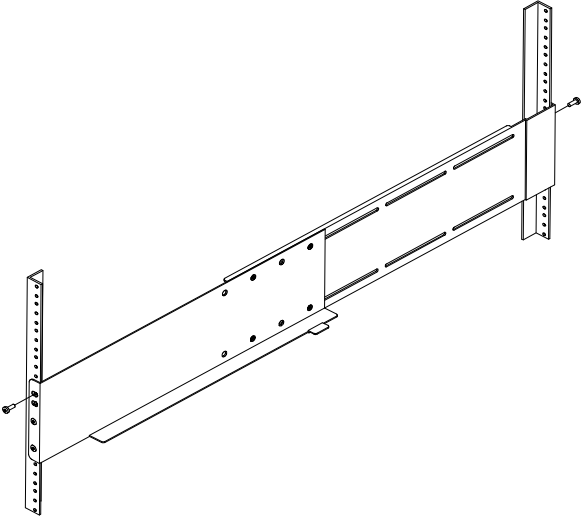
List #	Part #	Part Name	Quantity	Detail
1	SH03001	Rear Mounting Bracket	2	
2	SH03002	Right Front Mounting Bracket	1	
3	SH03003	Left Front Mounting Bracket	1	
4	SH03004	Back Plate	2	

T3 Rack Mount Kit Installation Instructions

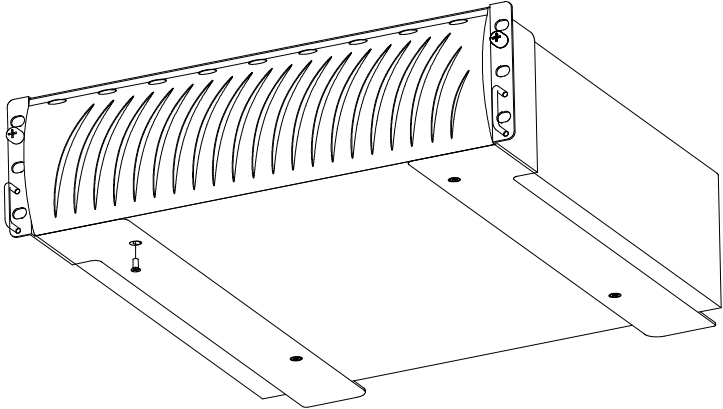
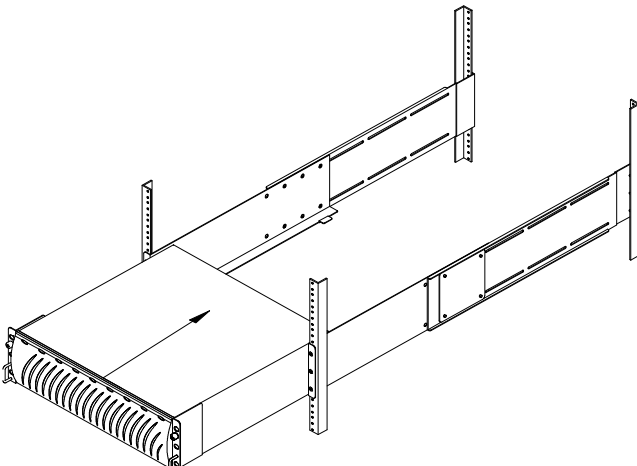
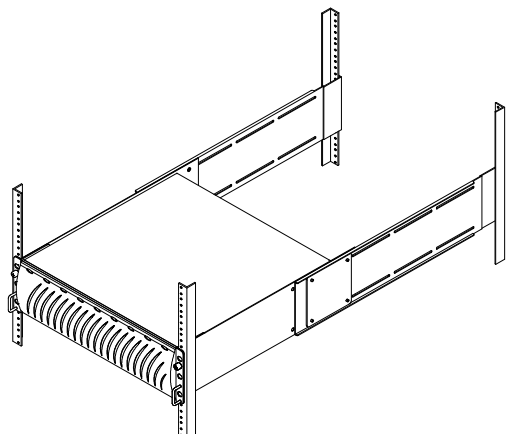
List #	Part #	Part Name	Quantity	Detail
5	SH03005	Left Chassis Mount	1	
6	SH03006	Right Chassis Mount	1	
7	SH03007	Hardware Packet <ul style="list-style-type: none"> • 8-32 x 3/8" Flathead Screw (9) • 10-32 x 1/4" Flathead Screw (5) • 10-32 x 1/2" Panhead Screw (14) <p>Note: The T3 hardware packet contains some extra screws and nuts.</p>	1	

T3 Rack Mount Kit Installation Instructions

Installation Instructions

Step	Detail
<p>1. Measure the distance from the front rack rail to the rear rack rail.</p> <p>Distance = _____</p> <p>2. Assemble the left front mounting bracket, rear mounting bracket, and back plate in the order as shown. Set the front and rear mounting brackets at the distance measured in step 1.</p> <p>3. Secure the left front mounting bracket and rear mounting bracket to the back plate using four 8-32 x 3/8-inch flat head screws.</p> <p>Note: Do not tighten the back plate screws at this point.</p> <p>4. Repeat steps 1 through 3 to assemble the right front mounting bracket, rear mounting bracket, and back plate.</p>	
<p>5. Install the left front mounting bracket, rear mounting bracket, and back plate (assembled in step 2) in the left side of the rack enclosure.</p> <p>Note: Make sure that the mounting flange on the front mounting bracket is on the bottom.</p> <ul style="list-style-type: none">• Attach the front mounting bracket to the front left rack rail using three 10-32 x 1/2-inch pan head screws. Use the first, third, and fourth screw holes on the front mounting bracket.• Attach the rear mounting bracket to the rear left rack rail using three 10-32 x 1/2-inch pan head screws. <p>6. Once the assembly is secure in the rack enclosure, tighten the back plate screws (the screws installed in step 3).</p> <p>7. Repeat steps 5 and 6 to install the right front mounting bracket, rear mounting bracket, and back plate in the right side of the rack enclosure.</p>	

T3 Rack Mount Kit Installation Instructions

Step	Detail
<p>8. Remove the feet from the bottom of the StorEdge T3 array.</p> <p>9. Install the left mounting chassis on the bottom left side of the T3 array and secure with two 10-32 x 1/4-inch flat head screws.</p> <p>10. Install the right mounting chassis on the bottom right side of the T3 array and secure with two 10-32 x 1/4-inch flat head screws.</p>	 A perspective view of the StorEdge T3 array. The array is a long, thin rectangular unit with a ribbed front panel. Two metal mounting chassis are shown being attached to the bottom left and right sides of the array. The chassis are L-shaped and have pre-drilled holes for screws. One screw is shown being inserted into a hole on the left chassis.
<p>11. Install the T3 array in the rack enclosure.</p> <ul style="list-style-type: none">• Approach the rack enclosure with the rear of the array facing the rack enclosure.• Make sure that the array is resting on top of the mounting flange on the left front mounting bracket.• Slide the array all the way into the rack enclosure until it stops.	 A perspective view of the rack enclosure. The enclosure is a rectangular frame with vertical support rails. The T3 array is shown being inserted into the enclosure from the left. An arrow on the array points towards the enclosure, indicating the direction of insertion. The array is resting on a mounting flange on the left front mounting bracket.
<p>12. Secure the T3 array in the rack enclosure by tightening the two thumbscrews on the left and right chassis mounts.</p>	 A perspective view of the rack enclosure with the T3 array installed. The array is now fully seated within the enclosure. Two thumbscrews are shown being tightened onto the left and right chassis mounts to secure the array in place.

Warranty

LIMITED WARRANTY AND WARRANTY DISCLAIMER - Seller warrants that the System will be free from defects in materials and workmanship for a period of one (1) year from date of delivery to customer premises. Seller's sole liability and Customer's sole and exclusive remedy for any breach of this warranty is, at Seller's option and expense, to repair or replace any defective System that is returned to it by Customer. Seller will have no obligation under this section to the extent any defect in the System is caused by or is attributable to negligence, accident, misuse, abuse, use of the System than in accordance with Seller's documentation or user manual, modifications, alterations or repairs to the System made by a party other than Seller, or actions of third parties or like events outside Seller's reasonable control. EXCEPT AS EXPRESSLY SET FORTH IN THIS SECTION, TO THE EXTENT PERMITTED BY APPLICABLE LAW, SELLER DISCLAIMS ANY AND ALL OTHER WARRANTIES, WHETHER EXPRESS, IMPLIED, OR STATUTORY, INCLUDING, WITHOUT LIMITATION, ANY IMPLIED WARRANTIES OF MERCHANTABILITY, FITNESS FOR A PARTICULAR PURPOSE, QUALITY, OR NONINFRINGEMENT, AND ANY WARRANTIES ARISING FROM COURSE OF DEALING OR USAGE OF TRADE.

LIMITATIONS OF LIABILITY - IN NO EVENT WILL SELLER BE LIABLE FOR ANY SPECIAL, INCIDENTAL OR CONSEQUENTIAL DAMAGES (INCLUDING, BUT NOT LIMITED TO, LOST PROFITS OR REVENUE, LOSS OF USE, LOST BUSINESS OPPORTUNITIES OR LOSS OF GOODWILL), OR FOR THE COSTS OF PROCURING SUBSTITUTE PRODUCTS, ARISING OUT OF OR IN CONNECTION WITH THESE TERMS OF SALE OR THE USE OF THE SYSTEM, WHETHER SUCH LIABILITY ARISES FROM ANY CLAIM BASED UPON CONTRACT, WARRANTY, TORT (INCLUDING NEGLIGENCE), PRODUCT LIABILITY OR OTHERWISE, WHETHER OR NOT SELLER HAS BEEN ADVISED OF THE POSSIBILITY OF SUCH LOSS OR DAMAGE. IN NO EVENT WILL SELLER'S TOTAL CUMULATIVE LIABILITY, FROM ALL CAUSES OF ACTION AND ALL THEORIES OF LIABILITY, EXCEED THE TOTAL AMOUNTS ACTUALLY PAID TO SELLER BY CUSTOMER UNDER THE ORDER THAT GIVES RISE TO ANY LIABILITY HEREUNDER.

Free Manuals Download Website

<http://myh66.com>

<http://usermanuals.us>

<http://www.somanuals.com>

<http://www.4manuals.cc>

<http://www.manual-lib.com>

<http://www.404manual.com>

<http://www.luxmanual.com>

<http://aubethermostatmanual.com>

Golf course search by state

<http://golfingnear.com>

Email search by domain

<http://emailbydomain.com>

Auto manuals search

<http://auto.somanuals.com>

TV manuals search

<http://tv.somanuals.com>