

## Swann Technical Support

All Countries E-mail: [tech@swann.com.au](mailto:tech@swann.com.au)

### Telephone Helpdesk

UNITED STATES toll free

877-274-3695

(Sun-Thurs, 2pm-10.30pm PST)

800-627-2799

(Mon-Fri, 9am-1pm PST)

USA Exchange & Repairs

562-777-2551

(Mon-Fri, 9am-5pm PST)

AUSTRALIA toll free

1300 13 8324

(Mon-Fri, 9am-5.30pm Aus EST)

International

+61 3 8412 4610

(Mon-Fri, 9am-5.30pm Aus EST)

See <http://www.worldtimeserver.com> for information on different time zones and the time in Melbourne Australia compare to your local time.

## Warranty Information

Swann Communications warrants this product against defects in workmanship and material for a period of one (1) year from its original purchase date. You must present your receipt as proof of date of purchase for warranty validation. Any unit which proves defective during the stated period will be repaired without charge for parts or labour or replaced at the sole discretion of Swann. The repair or replacement will be warranted for either ninety days or the remainder of the original one year warranty period, whichever is longer. The end user is responsible for all freight charges incurred to send the product to Swann's repair centres. The end user is responsible for all shipping costs incurred when shipping from and to any country other than the country of origin. The warranty does not cover any incidental, accidental or consequential damages arising from the use of or the inability to use this product. Any costs associated with the fitting or removal of this product by a tradesman or other person or any other costs associated with its use are the responsibility of the end user. This warranty applies to the original purchaser of the product only and is not transferrable to any third party.

Unauthorised end user or third party modifications to any component or evidence of misuse or abuse of the device will render all warranties void.



[www.swannsecurity.com](http://www.swannsecurity.com)



English

# BulletCam

## Security Camera

Color weatherproof



 Swann Help Desk  
Has the answers



**If this device does not work when you first plug it in, do not take it back to the store.**



Contact the Swann Helpdesk using our fast e-mail service [tech@swann.com.au](mailto:tech@swann.com.au) or call us on one of the Toll-Free numbers shown on the back cover of this booklet.



Most problems can be quickly and easily fixed with a simple e-mail or a quick chat with one of our friendly technical staff. (Toll-Free available in the US and Australia only)

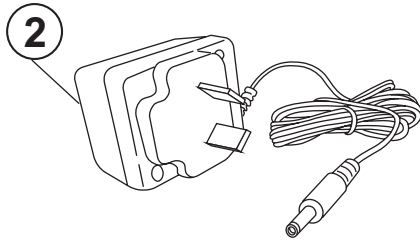
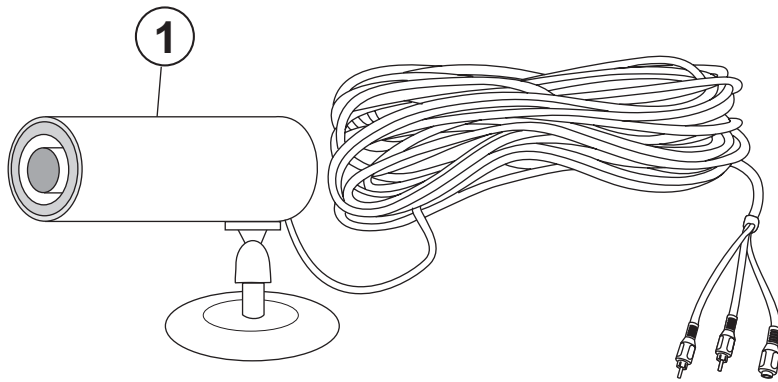
## Installation Guide

## Installation Instructions

The bulletcam camera is designed for use with any TV, VCR, Security Monitor or computer with a video capture card. The camera has a sealed casing and can be used indoors or in a sheltered position outdoors. The bulletcam camera can be used for a variety of purposes including monitoring callers at the door, keeping your car, yard, shop or warehouse under observation or used as a camera to monitor your baby.

## Contents and Parts Identification

1. Camera with Stand and 10m/30ft cable
2. 9Volt DC 300mA Power Adaptor (adaptor design varies depending on country)



### FCC NOTICE

This device complies with Part 15 of FCC Rules. Operation is subject to the following conditions:  
(1) This device may not cause harmful interference, and  
(2) This device must accept any interference received, including interference that may cause undesired operation.

## Tips for locating your camera

### Where to put cameras:

#### Position cameras in the areas most at risk:



1. Doorways



2. Windows



3. Car Parks



4. Verandahs



5. Reception Areas



6. Cash Register



7. Mix Dummies & Real Cameras



8. Under Eaves

### Where to Place The Security Stickers:

1. On your front window
2. On side windows
3. Near entrance points - doors, gates
4. Next to a dummy camera mounted outside
5. On the front counter
6. On the cash register
7. Next to an obvious camera



## How to connect bulletcam camera to your TV or VCR

### Keeping Your Home & Office Safe

#### Security tips that really work!

#### Tips for using the Swann DIY Security Kit

1. Deterrence is the best and most cost effective security method
  - preventing criminal activity before it occurs is preferable to, and cheaper than, cleaning up after it occurs
  - the Swann BulletCam is an example of cost effective security utilising the 'art of deterrence' to outsmart thieves and criminals
2. Always place cameras high enough that they can't be closely inspected or easily accessed
3. Position cameras and dummies where they can be easily seen for maximum deterrence
4. Position the monitor where it can be seen but not touched
5. Use the channel switching function on the monitor to see both camera views
6. Add extra dummy cameras to give the impression of heightened security
7. Plug a VCR into the monitor and record suspicious activity
8. Position VCR tapes or boxes close to the monitor for added effect, implying there is a security video recorder even if there isn't one

#### FCC Notice

We, Swann Communications of 10612 Shoemaker Avenue, Bldg A, Santa Fe Springs, CA 90670 USA, declare under our sole responsibility that the product:

#### SW213-BCC

This product meets the requirement specified in Part 15 of FCC Regulation. Operation rests with the following two conditions:

- (1) The equipment should not cause any harmful interference;
- (2) The equipment must receive and process any interference, including any possible interference caused by operation mistakes. After testing the product, we confirm that it complies with the provision for class C digital equipment in the 15th part in FCC regulation; and the receiver complies with the limitation for class B digital equipment in Part 15 of FCC regulation. The product generates, applies and emits radio waves. It might cause harmful interferences to wireless communication if not be installed and used following the description of the manual. The product may interference in residential area, and the customer should take remedies to eliminate the interference at their own costs. If the product causes any harmful interference to wireless equipment of disturbs the receiving of TV signals (it can be identified by turning on and off the product), you can solve the trouble by following methods:

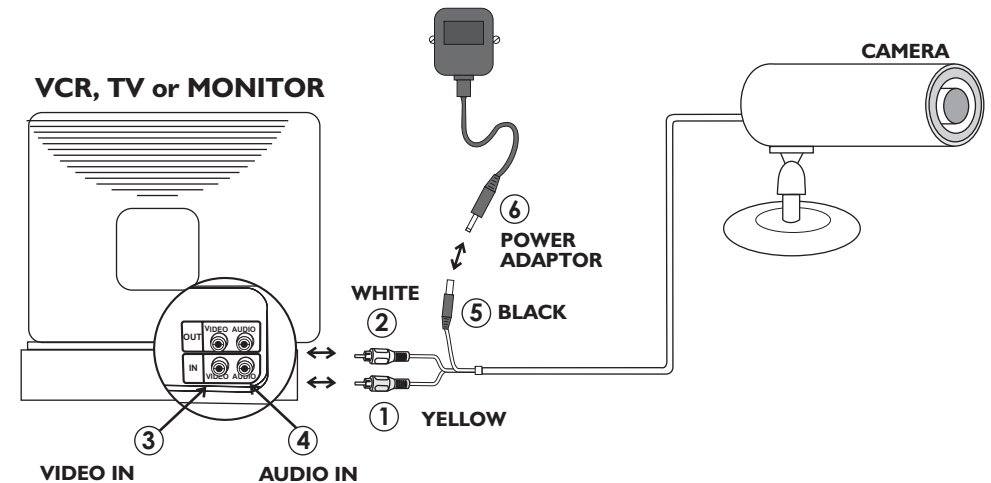
- (1) Re-adjust the product or put it in another place;
- (2) Extend the distance between the equipment interfered and the product; and
- (3) Refer to dealers or experienced radio electrician for help

#### CE Notice

This product complies with standards including Low Voltage Device Directive 73/23/EEC; **EMC** Directive 89/336/EEC and **R&TTE** Directive 1999/5/EC. It passed the subject tests by authority concerned and it authorized to bear **CE** mark.

## How to connect bulletcam camera to your TV or VCR

Your bulletcam camera is designed to transmit high quality color images to your television and is operated by mains power. To help guide you through the process of setting up the bulletcam camera, we have outlined the steps and numbered each of the components required in the diagram below.



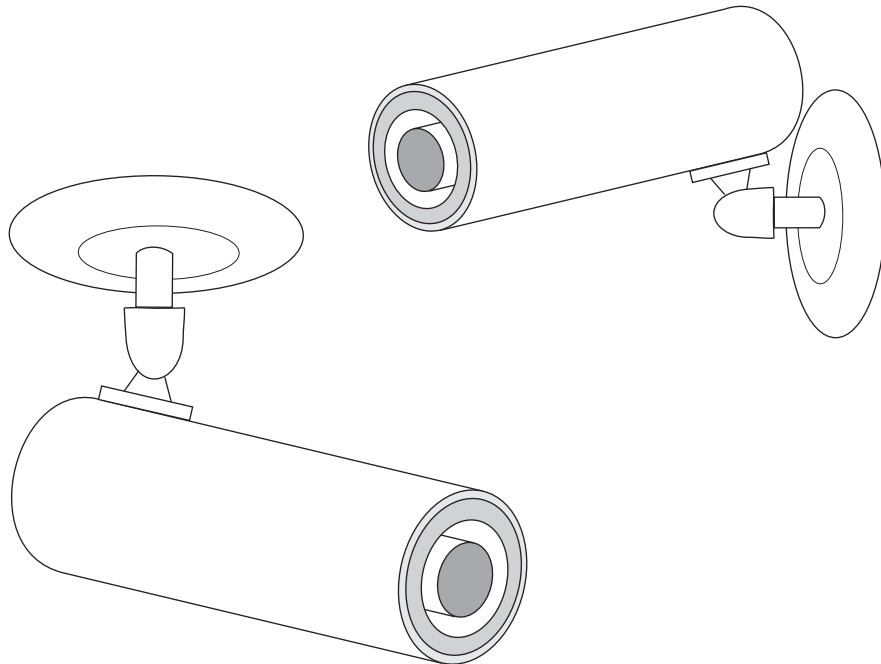
\*To extend the operating distance from your TV or VCR you will need to purchase an A/V extension cable (sold separately) which are available at most electronics stores.

- Step 1: At the end of your Bulletcam camera cable you will find three colored plugs:
- Yellow (Video RCA)
  - Red (Audio RCA)
  - Black
- Step 2: Plug the yellow RCA plug (1) into the "Video In" input (3) (usually located at the back of your TV or VCR).
- Step 3: Plug the red RCA plug (2) into the "Audio In" input (4) (usually located at the back of your TV or VCR).
- Step 4: Connect the black plug (5) at the end of your Bulletcam into the black plug at the end of the power adaptor (6).
- Step 5: Plug the power adaptor (6) into the mains power point in your wall.
- Step 6: If you have an A/V TV with RCA sockets you will need to switch the TV to the AV channel on your TV to view the camera. To connect the Bulletcam to your VCR, you will need to turn the VCR to the A/V Input selection and turn your TV onto the channel you would normally use to view a tape or movie on your VCR.

Note: Please read the instructions for your VCR or TV for more information on using their A/V inputs.

## Mounting the camera on your wall or ceiling

1. Once you have chosen the best position for the camera, switch the power to the camera off, and unplug the power lead from the camera.
2. When mounting the bulletcam camera to your ceiling or wall, please ensure that you rotate the camera so that at the top of the camera lens is 'up', otherwise you will find that your pictures are displayed upside down. (see diagram)
3. Hold the camera base in the position you wish to fix it, and mark the holes with an appropriate pen or pencil. Once this is done, remove the stand and drill a hole with the appropriate drill bit for the material you are mounting your camera to and the screws you are using. When your holes are done, screw the stand to the wall, then re-align the camera to the subject.
4. Run the camera cable back to the TV/VCR, any holes that you drill need to be at least 14mm in diameter to allow the connectors to pass through.
5. Reconnect the power and A/V leads to the camera and switch the camera power back on.



## Things to consider when operating the bulletcam camera

1. To extend the operating distance of the camera from your TV or VCR you will need to purchase an A/V extension Cable (sold separately) which are available at most electronics stores.  
Swann 18m/60ft AV powercable SW-AV-CABLE  
Swann 36m/120ft AV powercable SW-P-36M
2. The camera **must not** be placed where it looks directly into the sun or any other bright light source, as this will not only result in a poor image, but will eventually damage the electronics of the camera.
3. Areas with a high degree of contrast in the light levels may require re-positioning of the camera in order to obtain the best image.
4. The best viewing angle is achieved by placing the camera in a position where it is looking down on the subject.
5. **IMPORTANT:** For night-time use or when situated in a dimly-lit environment the camera requires the aid of suitable exterior lighting to ensure a good picture is achieved.
6. It is recommended that if night vision is required when using the BulletCam, you would use a movement activated sensor flood light to accompany your camera and provide a suitable light source. The best method is to mount the light behind the camera to ensure that the subject is correctly lit, and that the camera does not get too much light into the lens which may cause over-exposure problems. Lights of this type are readily available at hardware stores and similar electrical supply outlets. Consult your local electrical contractor for information on the installation requirements for the various types of flood lights.

## Free Manuals Download Website

<http://myh66.com>

<http://usermanuals.us>

<http://www.somanuals.com>

<http://www.4manuals.cc>

<http://www.manual-lib.com>

<http://www.404manual.com>

<http://www.luxmanual.com>

<http://aubethermostatmanual.com>

Golf course search by state

<http://golfingnear.com>

Email search by domain

<http://emailbydomain.com>

Auto manuals search

<http://auto.somanuals.com>

TV manuals search

<http://tv.somanuals.com>