

SWISHER

OWNER'S MANUAL

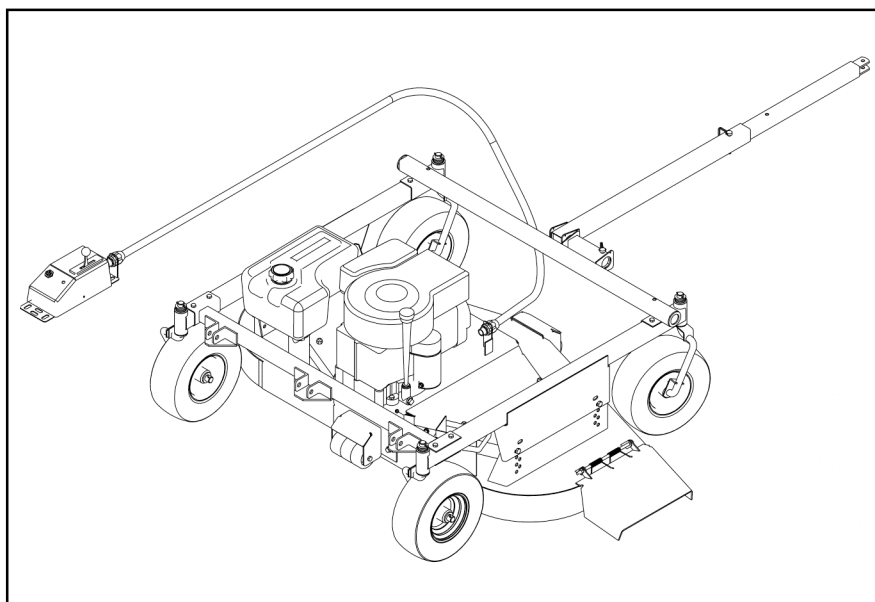
**MODEL NO.
POL1250F**

SERIAL
NUMBERS:
L2 01-024001
THRU
L2 01-030015



IMPORTANT
Read and follow all
Safety Precautions
and Instructions
before operating this
equipment.

Rev.02.19.2001



50" FRONT MOUNT/ TRAILMOWER

**Assembly
Operation
Service and Adjustment
Repair Parts**

SWISHER

1602 CORPORATE DRIVE, P.O. BOX 67, WARRENSBURG, MISSOURI 64093
PHONE 660-747-8183 FAX 660-747-8650

Manufacturing quality lawn care equipment since 1945

Made In The

USA



OWNER'S MANUAL

MODEL NO. POL1250F

SERIAL
NUMBERS:
L2 01-024001
THRU
L2 01-030015

50" FRONT MOUNT/ TRAILMOWER

Each mower has its own model number. Each engine has its own model number. The model number for the mower will be found on the right hand side of the drive belt housing. The model number for the engine will be found on the top of the blower fan housing.

All mower parts listed herein may be ordered directly from Swisher Mower & Machine Co. Inc. or your nearest Swisher dealer.

All engine parts may be ordered from the nearest dealer of the engine supplied with your mower.

WHEN ORDERING PARTS, PLEASE HAVE THE FOLLOWING INFORMATION AVAILABLE:

- * PRODUCT - 50" FRONT MOUNT
- * SERIAL NUMBER - _____
- * MODEL NUMBER - _____
- * ENGINE MODEL NUMBER - _____
TYPE - _____
- * PART NUMBER WITH PAINT CODE
- * PART DESCRIPTION

TELEPHONE - 1-800-222-8183

FAX - 1-660-747-8650

SWISHER MOWER & MACHINE CO. INC.
1602 CORPORATE DRIVE
P.O. BOX 67
WARRENSBURG, MO 64093



SWISHER MOWER & MACHINE CO. INC.

PRINTED IN
U S A

SAFETY AND OPERATIONAL DECALS

Replace decal immediately if damaged. Order by part number from Swisher Mower and Machine Co. Inc.



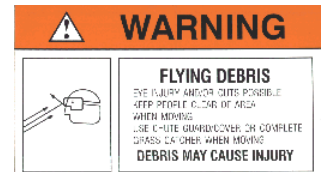
OD45 – Warning Decal



OD99124 – 50" Decal



OD33 – Speed Decal



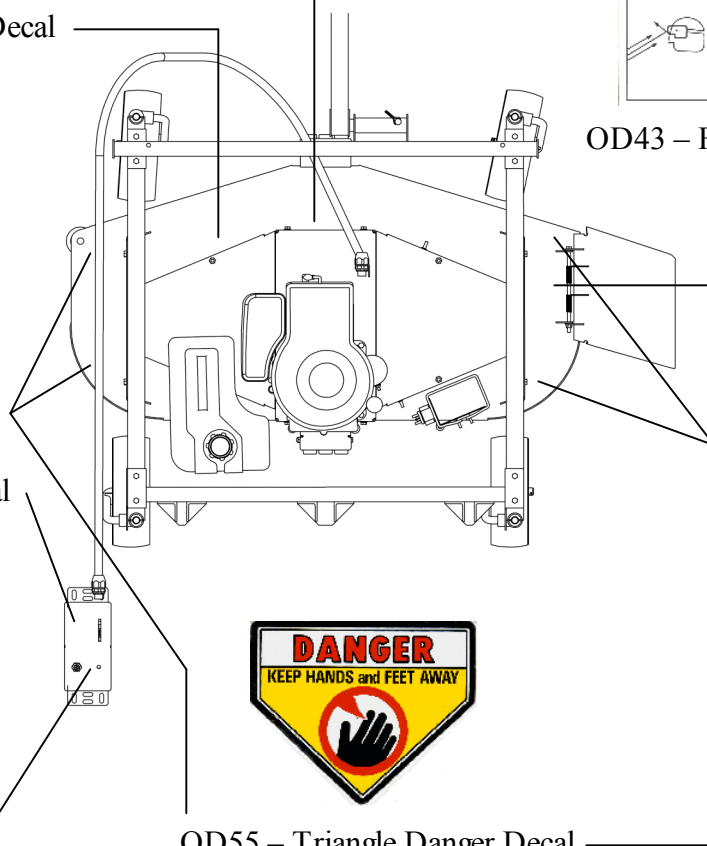
OD43 – Flying Debris Decal



OD56 – Engine Power Decal



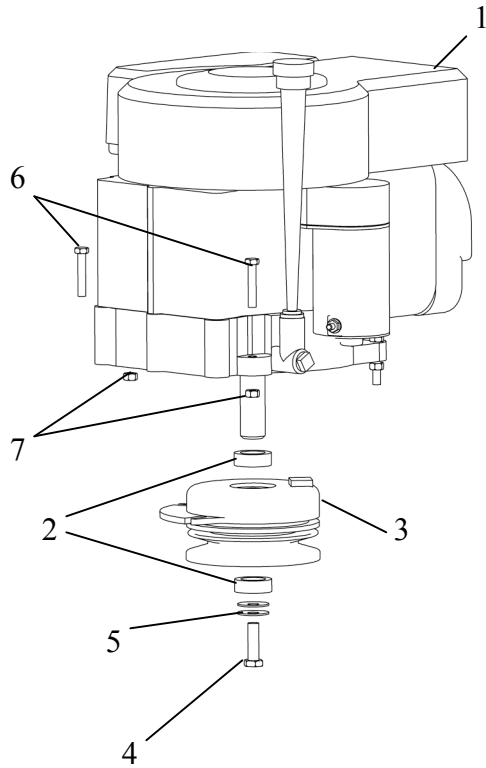
OD57 – Console Decal



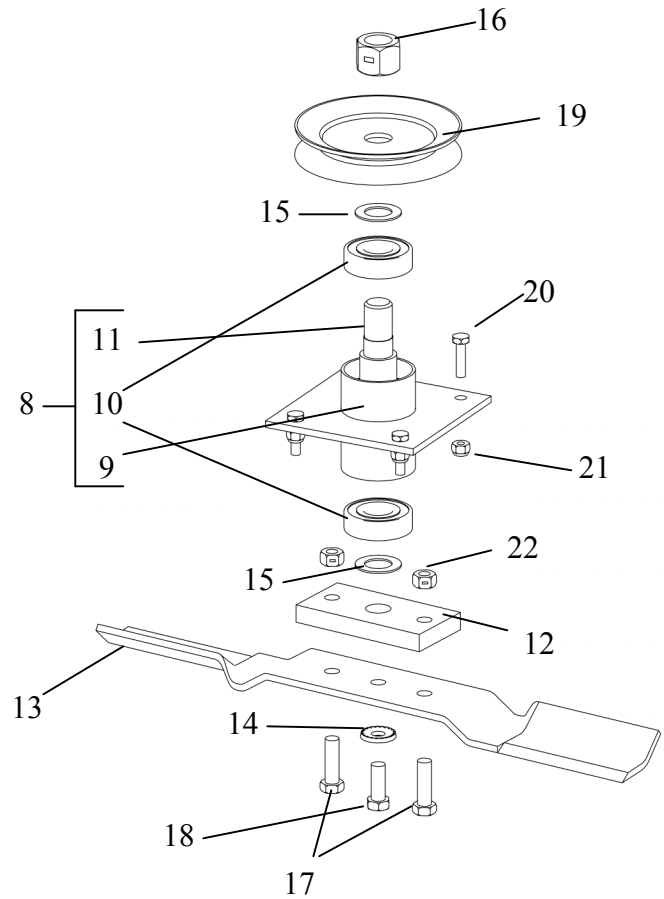
OD55 – Triangle Danger Decal



OD75 – Polaris Decal

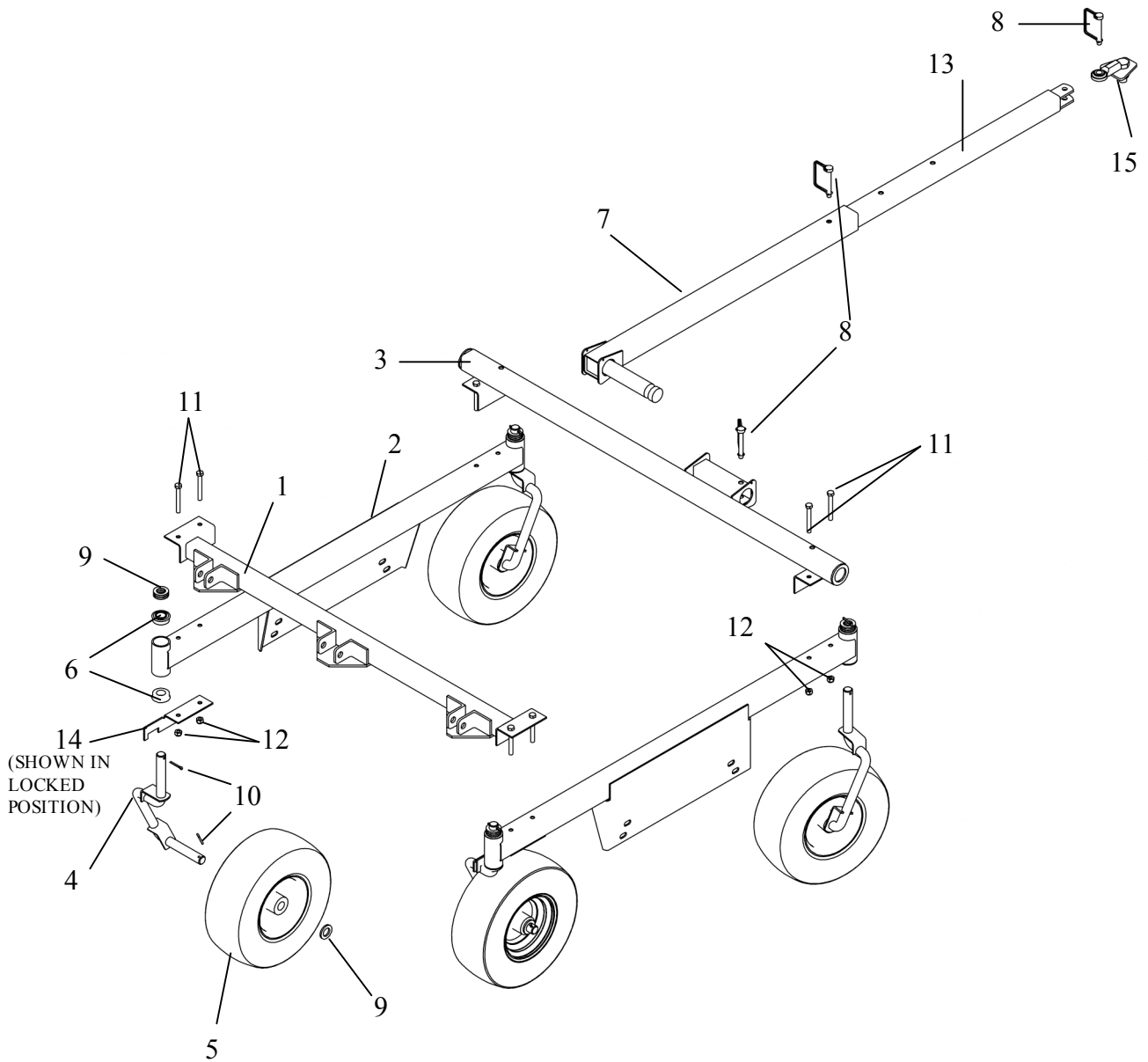


ENGINE SET-UP FIGURE 3



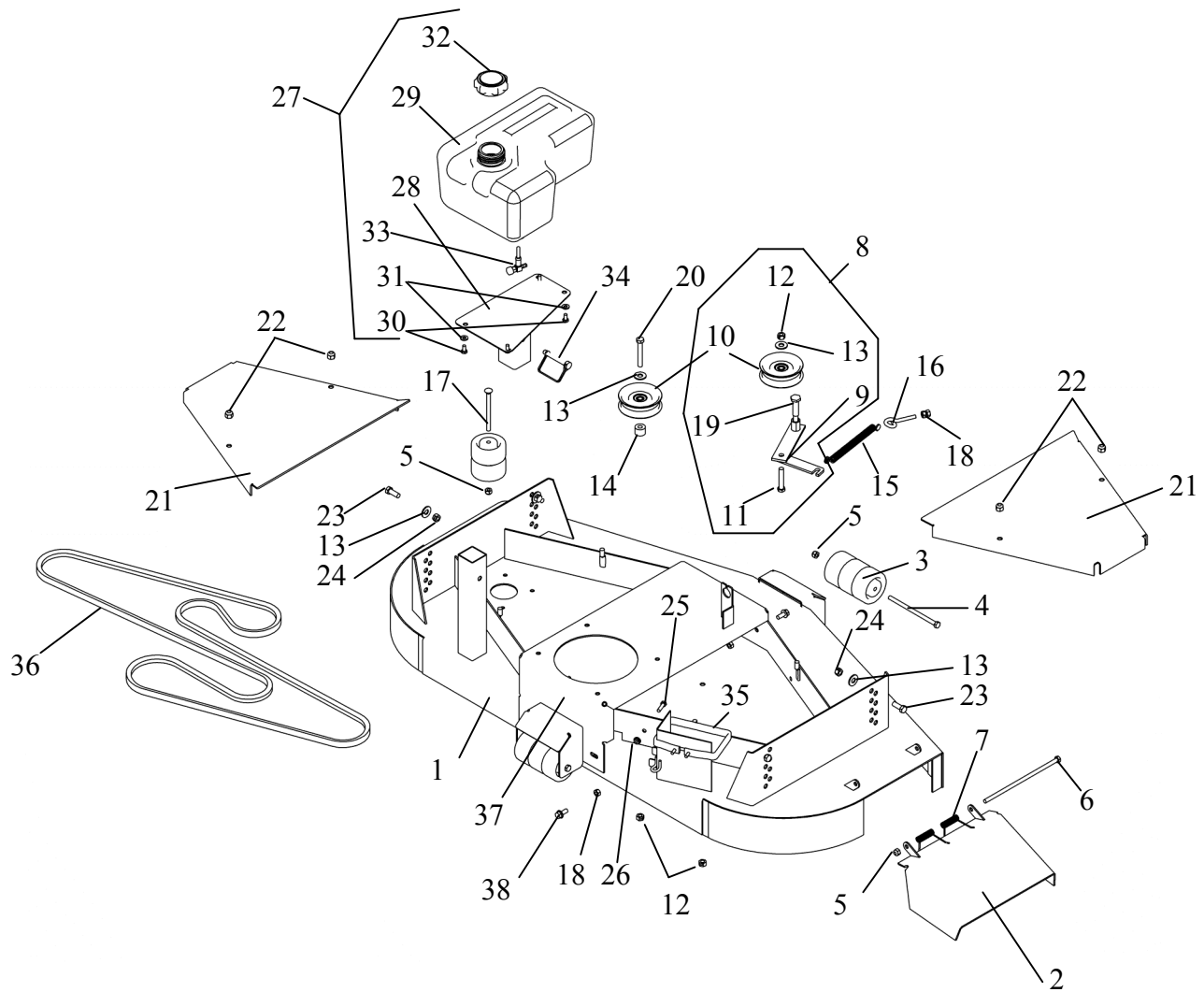
**BLADE DRIVER
SET-UP** FIGURE 4

ITEM NUMBER	DESCRIPTION	PART NUMBER
1	Engine	NA
2	Spacer	7040
3	Electric Clutch	688EC
4	7/16-20 x 1 1/2 Gr.5 Bolt	NB637
5	Belville Washer	699
6	5/16-18 x 1 3/4 Gr.5 Bolt	NB503
7	5/16-18 2-Way Lock Nut	NB558
8	Assembled Housing	5012
9	Bearing Housing	B99EC
10	Bearing	B98
11	4 1/4 Shaft	9076
12	Blade Mount Plate	9008
13	17 1/2 Blade	5059
14	Serrated Belleville Washer	NB607
15	3/4 ID x 1 1/4 OD 18 Ga. Washer	NB179
16	3/4-16 2-Way Lock Nut	NB629
17	3/8-24 x 1 1/4 Gr.5 Bolt	NB166
18	3/8-24 x 1 Gr.5 Bolt	NB238N
19	4 1/2 Pulley	B4104
20	1/4-20 x 1 Gr.5 Bolt	NB102
21	1/4-20 Nylok Nut	NB108
22	3/8-24 2-Way Lock Nut	NB216



FRAME ASSEMBLY FIGURE 1

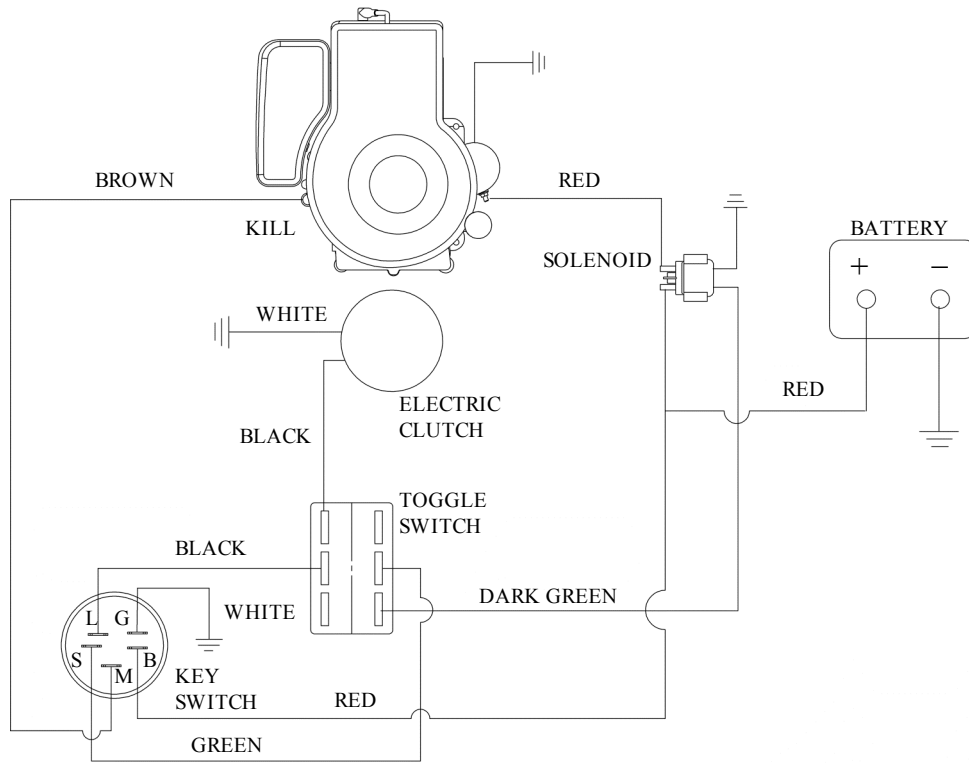
ITEM NUMBER	DESCRIPTION	PART NUMBER
1	Rear Frame	5075
2	Frame Carrier	5049
3	Front Frame	5073
4	Caster	5072
5	Tire/Wheel/Bearing	5057
6	Flange Bearing 3/4 ID	CB58
7	Solid Stock Hitch	661A
8	Hitch Pin	H11
9	3/4 ID x 1 1/4 OD 10 Ga. Washer	NB184Z
10	1/8 x 1 Cotter Pin	NB126
11	5/16-18 x 2 1/2 Gr.5 Bolt	NB138
12	5/16-18 Nylok Nut	NB181
13	Tongue Hitch	661
14	Caster Lock	5056
15	Swivel Hitch	H10



DECK ASSEMBLY FIGURE 2

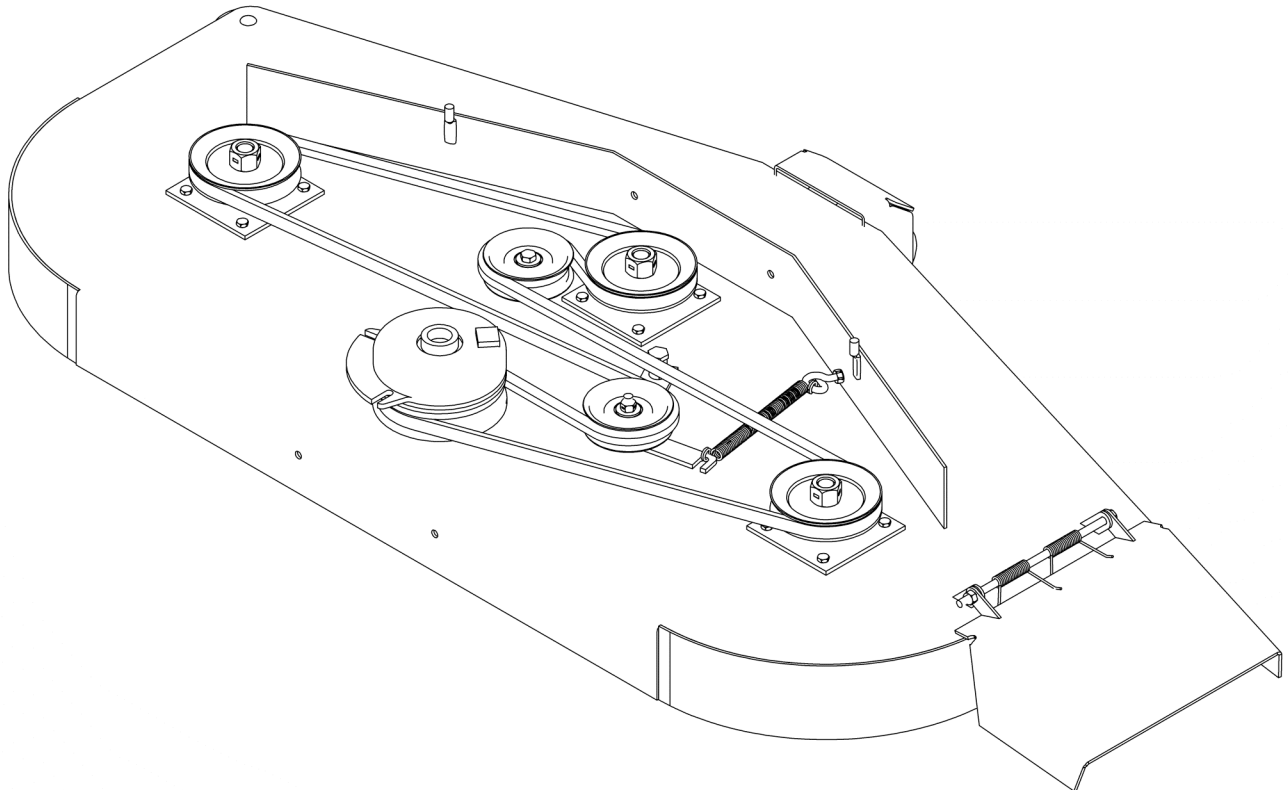
ITEM NUMBER	DESCRIPTION	PART NUMBER
1	Deck	5074
2	Grass Chute	4261
3	Anti-Scalp Roller	AS001
4	5/16-18 x 5 1/2 Gr.5 Bolt	NB521
5	5/16-18 Nylok Nut	NB181
6	5/16-18 x 8 1/2 Gr.2 Bolt	NB136
7	Grass Chute Spring	CH5S
8	Idler Assembly	5083
9	Idler Arm	5033
10	3.25" Idler Pulley	B527
11	3/8-16 x 2 Gr.2 Bolt	NB231
12	3/8-16 2-Way Lock Nut	NB280
13	3/8 USS Washer	NB271
14	Spacer	5077
15	Idler Spring	682S
16	Spring Hook	2046
17	5/16-18 x 4 Carriage Bolt	NB101
18	5/16-18 2-Way Lock Nut	NB558
19	3/8-16 x 1 9/16 Gr.2 Shoulder Bolt	NB220

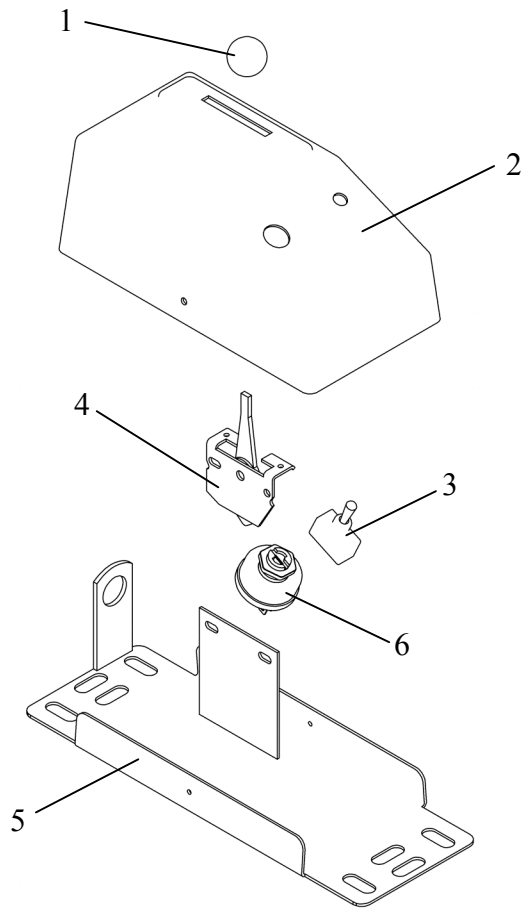
ITEM NUMBER	DESCRIPTION	PART NUMBER
20	3/8-16 x 2 1/2 Gr.5 Bolt	NB221
21	Belt Cover	5024
22	3/8-16 Nylok Nut	NB182
23	3/8-24 x 1 Gr.5 Bolt	NB238
24	3/8-24 2-Way Lock Nut	NB216
25	1/4-20 x 1 Gr.5 Bolt	NB102
26	1/4-20 Flange Nut	NB524
27	Gas Tank Assembly	7569
28	Gas Tank Mount	7520
29	Plastic Gas Tank	AS100
30	1/4-20 x 1/2 Gr.5 Bolt	NB134
31	1/4 Split Lock Washer	NB135
32	Gas Cap	6102NC
33	Elbow Filter	AS120
34	Hitch Pin	H11
35	15" Tarp Strap	BHOLD
36	122" Belt	5058
37	Motor Base	5064
38	5/16-18 x 3/4 Flange Bolt	NB596



WIRING CONFIGURATION Figure 5

BELT CONFIGURATION Figure 6





WIRING COMPONENTS

ITEM NUMBER	DESCRIPTION	PART NUMBER
1	Plastic Knob	B19BLACK
2	Plastic Cover	686C
3	Toggle Switch	685
4	Throttle Cable	686FM
5	Console Plate	5085TK
6	Ignition	KS12
NOT SHOWN	Harness End Connectors	4869
NOT SHOWN	Harness Tubing	4868
NOT SHOWN	Upper Harness	WHC50
NOT SHOWN	Lower Harness	WHL50
NOT SHOWN	Negative Battery Cable	BCS
NOT SHOWN	Positive Battery Cable	BCSR
NOT SHOWN	Velcro Strips	7033
NOT SHOWN	Velcro Straps	AS078/AS079

NOTE: WHC50 contains shown items and 4869, 4868, and wires/connectors.
 WHL50 is wiring from clutch to solenoid. There are 2 BCSR, one from the battery to the solenoid, and one from the solenoid to the starter.

Free Manuals Download Website

<http://myh66.com>

<http://usermanuals.us>

<http://www.somanuals.com>

<http://www.4manuals.cc>

<http://www.manual-lib.com>

<http://www.404manual.com>

<http://www.luxmanual.com>

<http://aubethermostatmanual.com>

Golf course search by state

<http://golfingnear.com>

Email search by domain

<http://emailbydomain.com>

Auto manuals search

<http://auto.somanuals.com>

TV manuals search

<http://tv.somanuals.com>