



swisherinc.com

OWNER'S MANUAL

MODEL NO.

LS622

LS826

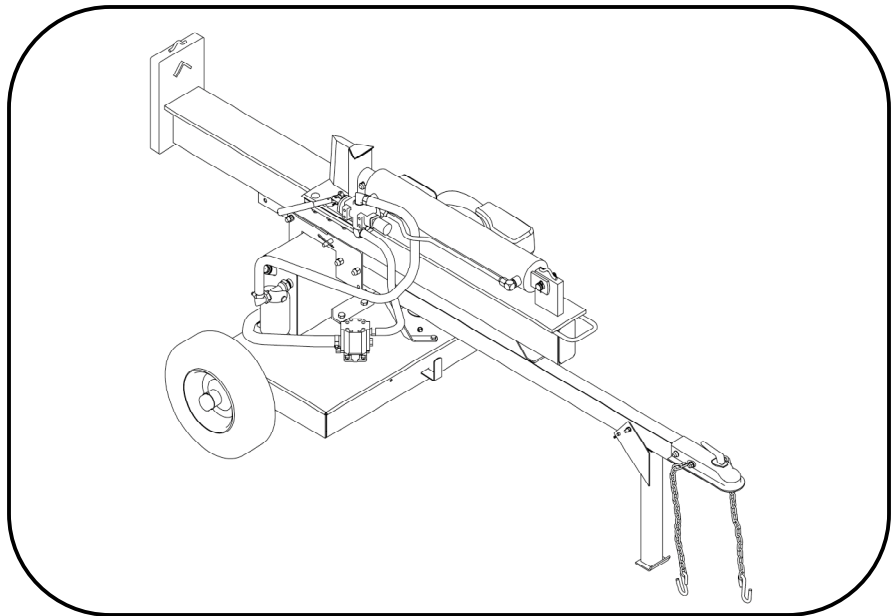
LS934

LS10534D

IMPORTANT

Read and follow all Safety
Precautions and Instructions
before operating this
equipment.

Rev.07.04.2001



LOG SPLITTER

Safety
Assembly
Operation
Service and Adjustment
Repair Parts

1602 CORPORATE DRIVE, WARRENSBURG, MISSOURI 64093 PHONE 660-747-8183
FAX 660-747-8650

Manufacturing quality lawn care equipment since 1945

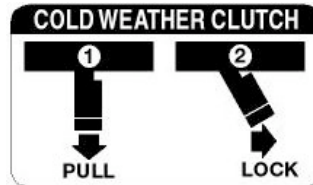
Made In The
USA

SAFETY DECALS

Replace decals immediately if damaged.



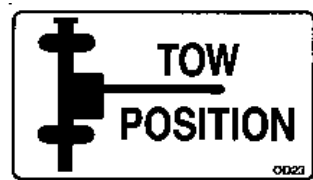
OD16 – FUEL SHUT OFF DECAL



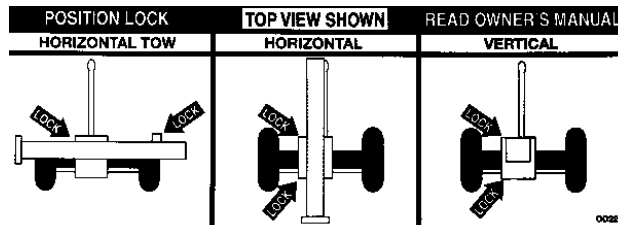
OD07 – COLD WEATHER CLUTCH DECAL



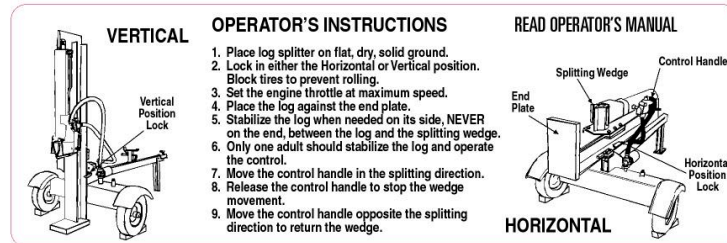
OD12 – HYDRAULIC FILL PLUG DECAL



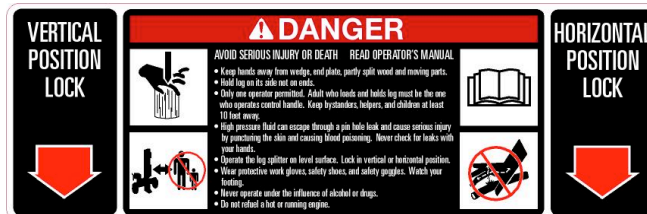
OD23 – TOW POSITION DECAL



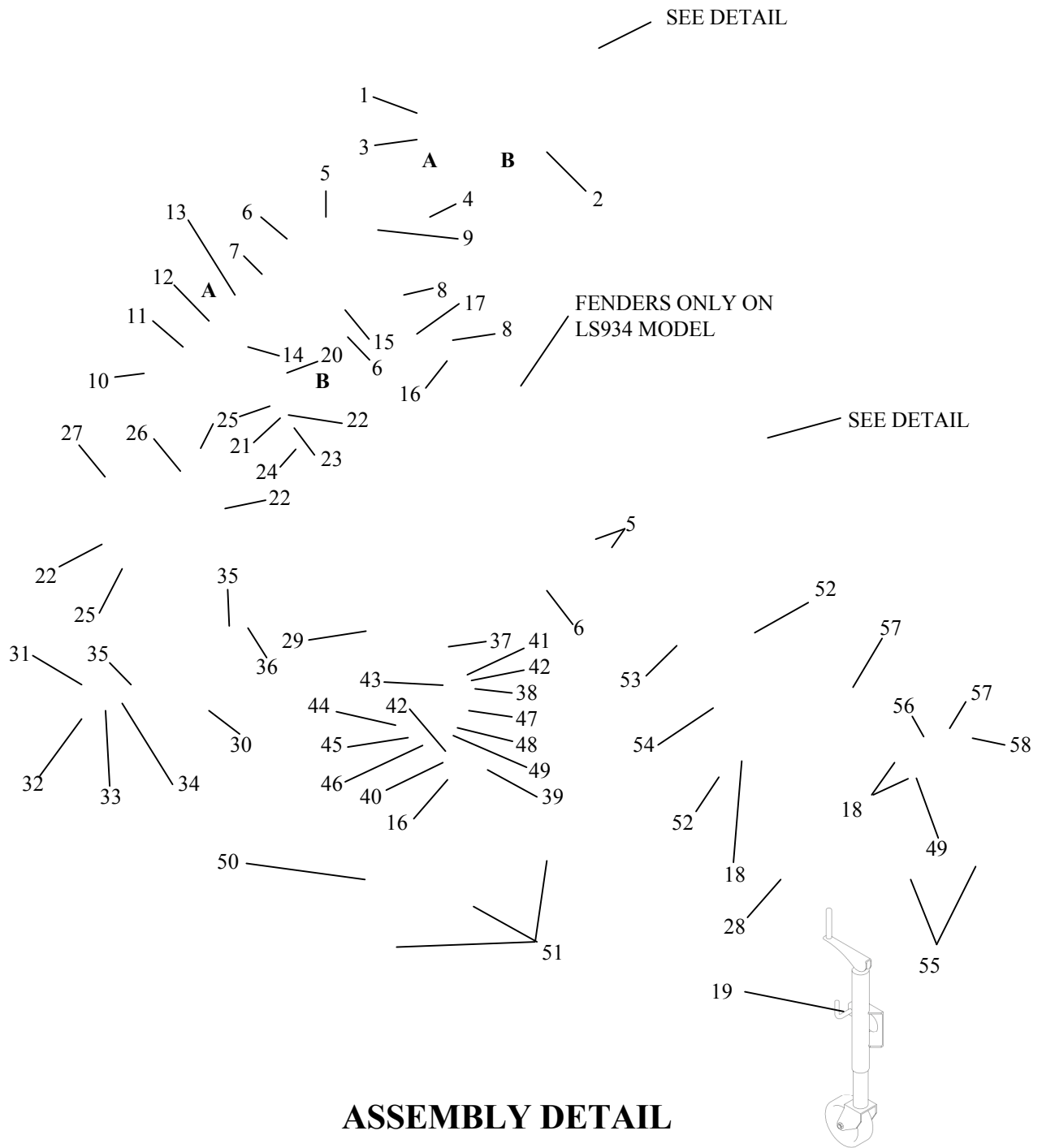
OD22 – POSITION LOCK DECAL



OD08 – OPERATOR INSTRUCTION DECAL



OD09 – DANGER/POSITION LOCK DECAL



ASSEMBLY DETAIL
LS622, LS826, LS934 MODELS
NOT ALL PARTS ARE ON ALL MODELS

SERVICE PARTS

Please have Model and Serial Numbers ready when ordering parts.

Color cannot be guaranteed upon service parts.

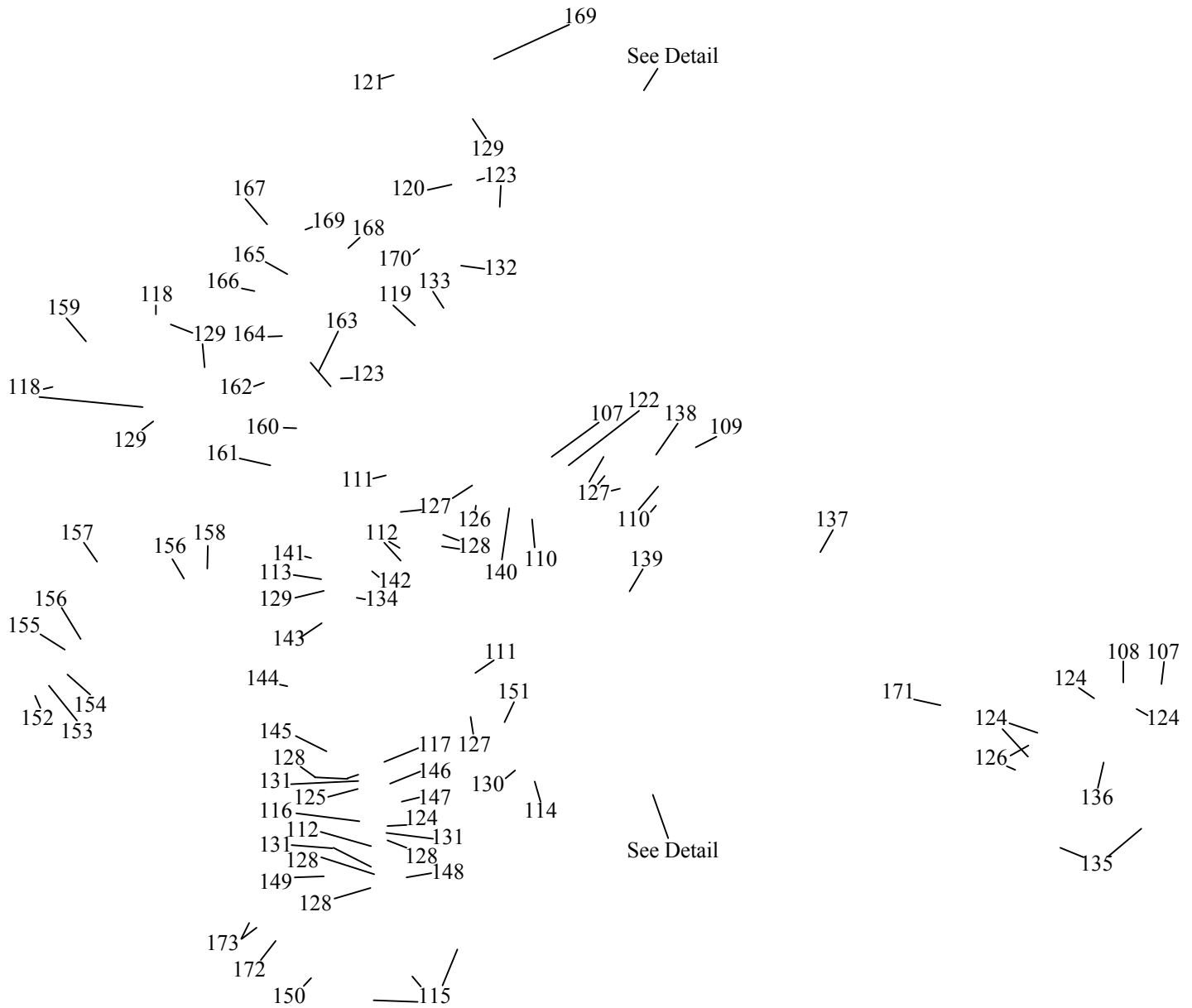
ITEM NUMBER	DESCRIPTION	PART NUMBER
1	RETURN HOSE 54"	7290
2	PRESSURE HOSE 48"	7289
3	#12 HOSE CLAMP	LS5001
4	HYDRAULIC RESERVOIR	7319
5	1/2-13 X 3 1/2 GR5 BOLT	NB577
6	1/2-13 NYLOCK NUT	NB281
7	RESERVOIR VENT PLUG	7379
8	3/8-16 X 1 GR5 BOLT	NB604
9	1/2 X 3 1/2 HITCH PIN W/ HAIR PIN	NB648
10	SUCTION HOSE 18"	7346
11	#16 HOSE CLAMP	LS4999
12	RETURN LINE FITTING	7329
13	FILTER HEAD	LS1112
14	FILTER ELEMENT	LS1113
15	1/2-13 X 1 1/4 GR5 BOLT	NB647
16	3/8-16 2-WAY LOCK NUT	NB280
17	TANK BRACE	7352
18	3/8-16 NYLOCK NUT	NB182
19	TRAILER JACK/ SNAP RING	7367/7367SR
20	HYDRAULIC PUMP - LS622 MODEL	LS2001H
	HYDRAULIC PUMP - LS826 & LS934 MODELS	LS2002B
21	1/8 X 1/2 #3 WOODRUFF KEY	7440
22	5/16-18 2-WAY LOCK NUT	NB558
23	PUMP PULLEY	7306
24	SET SCREW W/ NYLOCK	NB312
25	5/16-18 X 3/4 GR2 BOLT	NB143
26	FENDER BRACKET - RIGHT SIDE - LS934 ONLY	7417
	FENDER BRACKET - LEFT SIDE - LS934 ONLY	7418
27	FENDER - LS934 ONLY	7401
28	KICKSTAND	7398

SERVICE PARTS

Please have Model and Serial Numbers ready when ordering parts.

Color cannot be guaranteed upon service parts.

ITEM NUMBER	DESCRIPTION	PART NUMBER
29	MOTOR BASE / AXLE	7297
30	TIRE / WHEEL	7296
31	COTTER PIN	NB633
32	WHEEL DUST COVER	2203DC
33	CASTLE NUT	2203CN
34	WASHER	2203W
35	TAPERED BEARING	2203B
36	BEARING SEAL	2203S
37	BELT	644
38	IDLER ARM	6681TK
39	CLUTCH LEVER	7358
40	SPRING	682S
41	3/8-16 JAM NUT	NB174
42	HARDENED WASHER	NB196
43	3/8-16 X 2 1/2 GR5 BOLT	NB221
44	5/16-18 FLANGE NUT	NB170
45	IDLER SPRING MOUNT	2046
46	WIRE LINK FOR IDLER SPRING	BRS6H
47	SHOULDER BOLT	NB220
48	IDLER PULLEY	B527
49	WASHER	NB272
50	BELT COVER	7321
51	#14 x 3/4 SELF-TAPPING SCREW	NB161
52	SAFETY CLIP PIN	H11
53	TOWING TONGUE	7343
	TOWING TONGUE - LS934 & LS10534D	7405
54	TRAVEL LOCK	7441
55	SAFETY CHAIN W/ HOOK	7366
56	2" BALL COUPLER	7365
57	3/8-16 X 3 GR5 BOLT	NB164
58	3/8-16 X 3 1/2 GR5 BOLT	NB649



ASSEMBLY DETAIL

MODEL LS10534D

NOT ALL PARTS ARE ON ALL MODELS

SERVICE PARTS

Please have Model and Serial Numbers ready when ordering parts.

Color cannot be guaranteed upon service parts.

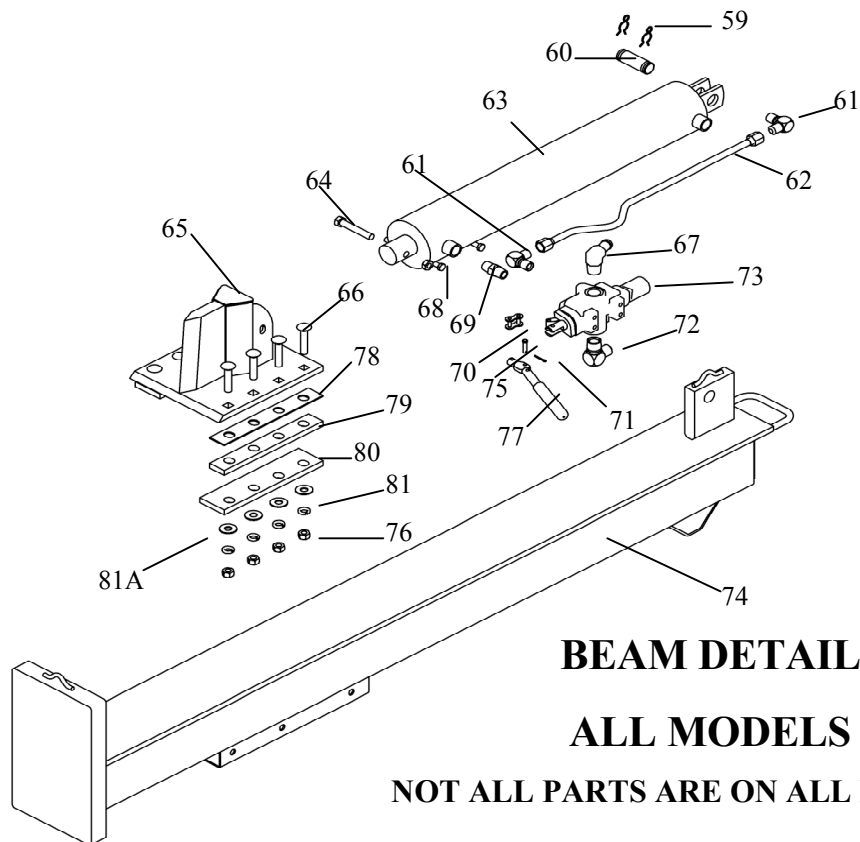
ITEM NUMBER	DESCRIPTION	PART NUMBER
107	3/8-16 X 3 1/2 GR5 BOLT	NB649
108	3/8-16 X 3 GR5 BOLT	NB164
109	1/2-13 X 3 1/2 GR5 BOLT	NB577
110	1/2-13 X 1 1/4 GR5 BOLT	NB647
111	1/2-13 X 1 1/4 GR5 BOLT	NB646
112	3/8-16 X 1 GR5 BOLT	NB604
113	5/16-18 X 1 GR5 BOLT	NB501
114	5/16-18 X 3/4 FLANGE BOLT	NB596
115	#14X 3/4 SELF TAPPING SCREW	NB161
116	SHOULDER BOLT	NB220
117	3/8-16 X 2 1/2 GR5 BOLT	NB221
118	5/16-18 X 3/4 GR2 BOLT	NB143
119	3/4-10 X 7 1/2 GR5 BOLT	NB655
120	1/4-20 X 1 GR5 BOLT	NB102
121	5/16-18 X 4 GR5 BOLT	NB513
122	SAFETY CLIP PIN	H11
123	1/2 X 2 1/2 BALL LOCK PIN	NB651
124	WASHER	NB272
125	HARDENED WASHER	NB196
126	3/8-16 NYLOC NUT	NB182
127	1/2-13 NYLOC NUT	NB281
128	3/8-16 2 WAY LOCK NUT	NB280
129	5/16-18 2 WAY LOCK NUT	NB558
130	5/16-18 NYLOC NUT	NB181
131	3/8-16 JAM NUT	NB174
132	1/4-20 NYLOC NUT	NB180
133	3/4-10 NYLOC NUT	NB609
134	SET SCREW W/ NYLOC	NB312
135	SAFETY CHAIN W/ HOOK	7366
136	2" BALL COUPLER	7365
137	TONGUE	7405
138	TUBE RECIEVER	7362
139	KICKSTAND	7386
140	KICKSTAND BRACKET	7385
141	HYDRAULIC PUMP	LS2001H

SERVICE PARTS

Please have Model and Serial Numbers ready when ordering parts.

Color cannot be guaranteed upon service parts.

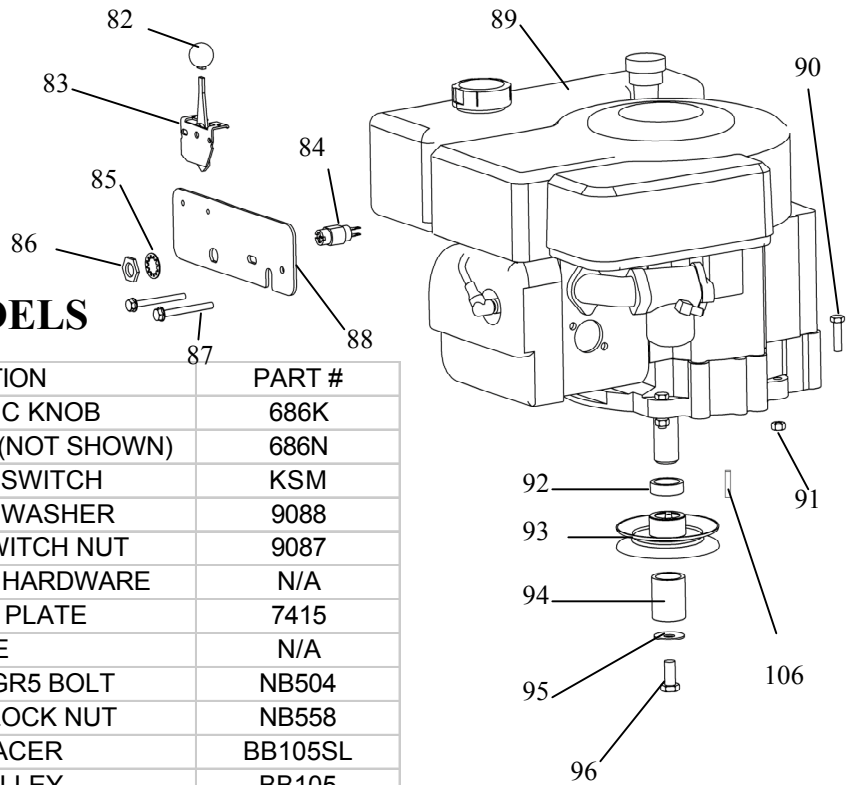
ITEM NUMBER	DESCRIPTION	PART NUMBER
142	HYDRAULIC ELBOW	7291
143	PUMP PULLEY	7306
144	MOTOR BASE	7399
145	BELT 32.5	7345
146	IDLER ARM	6681
147	IDLER PULLEY	B527
148	CLUTCH LEVER	7358
149	SPRING	682S
150	BOTTOM COVER	7336
151	MOTOR BASE SUPPORT ARM	7375
152	DUST COVER	2203DC
153	COTTER PIN	2203CP
154	CASTLE NUT	2203CN
155	WASHER	2203W
156	TAPERED BEARING	2203B
157	TIRE & WHEEL	7296
158	BEARING SEAL	2203S
159	FENDER	7428
160	DELUXE TANK WELDMENT	7400
161	RESERVOIR VENT PLUG	7379
162	14" SUCTION HOSE	7419
163	#16 HOSE CLAMP	LS4999
164	FILTER ELEMENT	LS1113
165	FILTER HEAD	LS1112
166	FITTING RETURN LINE	7329
167	82" RETURN HOSE	7326
168	90" PRESSURE HOSE	7325
169	#12 HOSE CLAMP	LS5001
170	PIVOT	7402
171	TRAILER JACK/ SNAP RING	7367/7367SR
172	ROPE GUIDE	2046
173	5/16-18 FLANGE NUT	NB170
NOT SHOWN	BEAM LOCK	7439
NOT SHOWN	COMPRESSION SPRING	7429
NOT SHOWN	1/8X 3/4 COTTER PIN	NB125



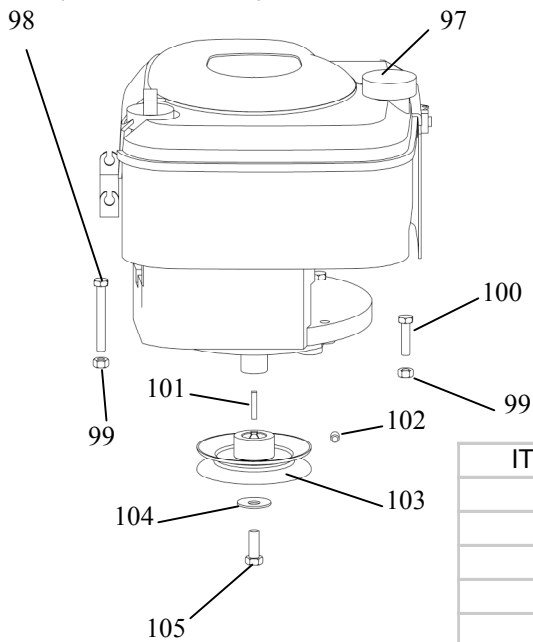
ITEM NUMBER	DESCRIPTION	PART NUMBER
59	CLIP PIN	NB642
60	STEEL PIN	7293
61	HYDRAULIC FITTING	7291
62	STATIONARY LINE ASSEMBLY	7288
63	RAM CYLINDER - LS622 MODEL	7284
	RAM CYLINDER - LS826 MODEL	7354
	RAM CYLINDER - LS934 & LS10534 MODELS	7355
64	1/2-13 X 3 GR5 BOLT	NB131
65	SPLITTING WEDGE	7233
66	1/2-13 X 2 1/2 GR5 CARRIAGE BOLT	NB643
67	RETURN LINE FITTING	7329
68	1/2-13 JAM 2-WAY LOCK NUT	NB121
69	2-WAY PIPE NIPPLE	7292
70	MASTER CHAIN LINK	7424
71	COTTER PIN	NB597
72	VALVE INLET FITTING	7387
73	VALVE CONTROL W/ LEVER	7287
74	BEAM WELDMENT	7282
	BEAM WELDMENT - DELUXE MODELS	7384
75	1/4 X 1 CLEVIS PIN	NB522
76	1/2-13 NUT	NB213Z
77	VALVE LEVER & GRIP	7423/7425
78	THIN GIB PLATE	7388
79	THICK GIB PLATE	7237
80	BOTTOM GIB PLATE	7333
81	LOCK WASHER	NB508
81A	FLAT WASHER	NB555

ENGINE DETAIL

LS826, LS934, LS10534D MODELS



ITEM #	DESCRIPTION	PART #
82	BLACK PLASTIC KNOB	686K
83	THROTTLE & CABLE(NOT SHOWN)	686N
84	ON - OFF KEY SWITCH	KSM
85	GOLDEN LOCK WASHER	9088
86	GOLDEN KEY SWITCH NUT	9087
87	EXISTING ENGINE HARDWARE	N/A
88	KEY SWITCH PLATE	7415
89	ENGINE	N/A
90	5/16-18 X 1 1/4 GR5 BOLT	NB504
91	5/16-18 2-WAY LOCK NUT	NB558
92	UPPER SPACER	BB105SL
93	ENGINE PULLEY	BB105
94	LOWER SPACER	BB105S
95	BELLEVILLE WASHER	699
96	7/16-20 X 1 GR5 BOLT W/ NYLOCK	NB452N
106	KEYSTOCK	9031
NOTSHOWN	WIRING HARNESS	9416
NOTSHOWN	THROTTLE PLATE/ SCREWS	686P/NB137



ENGINE DETAIL

LS622 MODEL

ITEM #	DESCRIPTION	PART #
97	ENGINE	N/A
98	5/16-18 X 2 1/2 GR5 BOLT	NB138
99	5/16-18 2-WAY LOCK NUT	NB558
100	5/16-18 X 1 1/4 GR5 BOLT	NB504
101	KEYSTOCK	9030
102	SET SCREW W/ NYLOCK	NB312
103	ENGINE PULLEY - LS622	7323
104	BELLEVILLE WASHER	699
105	3/8-24 X 1 BOLT W/ NYLOCK	NB238N

Log Splitter V-Belt Replacement



- **Caution!** : The Idler System is spring loaded. When replacing belt, be sure to lock lever to avoid accidental release.
- Remove the (6) self-tapping screws that hold the belt cover on the bottom of the unit and remove the cover to allow access to the belt. Pull clutch lever out to remove load from belt. Wedge a flat screwdriver (or something similar) into the slot to prevent release. See fig.1

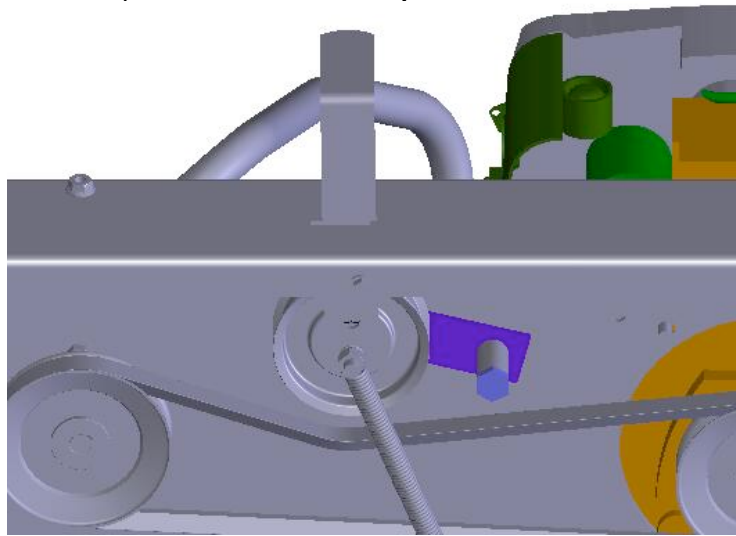
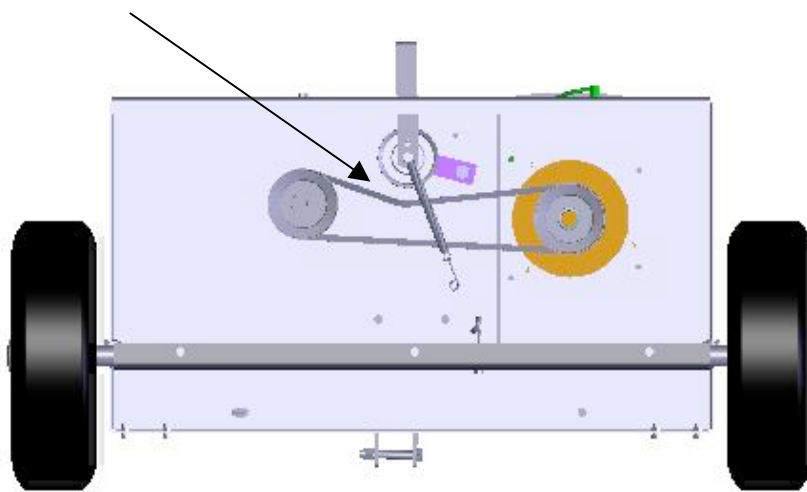


Fig.1

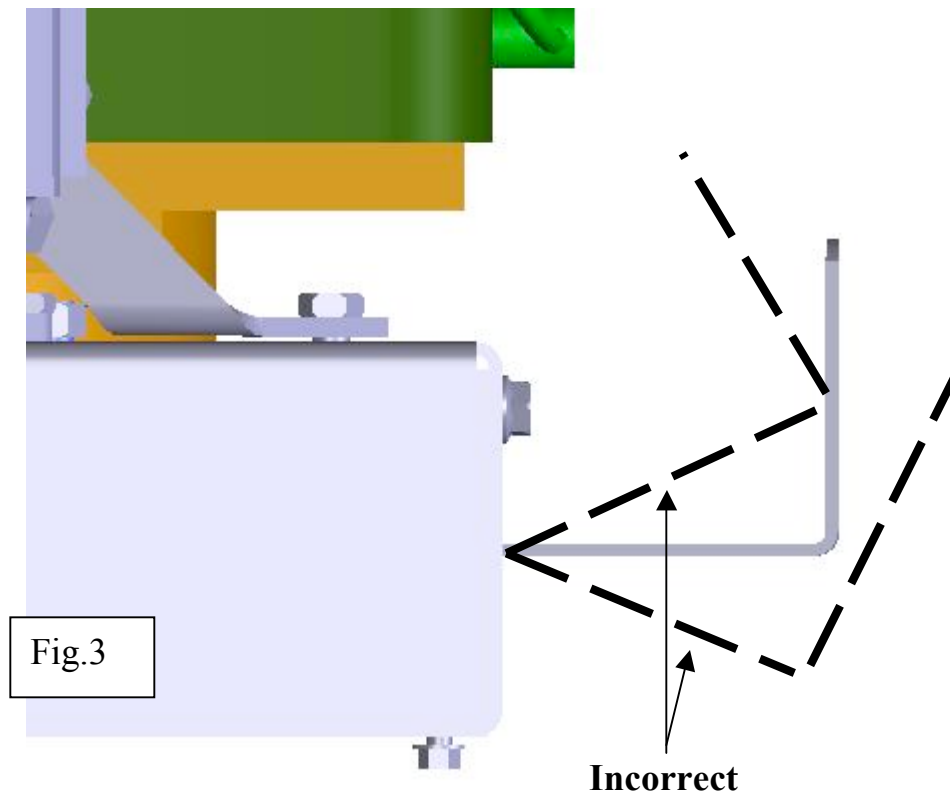
- Remove old belt.

Fig. 2



Log Splitter V-Belt Replacement (Continued)

- ∇ • Check pulleys for alignment
- ∇ • Check Idler for freedom of rotation
- ∇ • Check to be sure Clutch Lever is straight and moves freely. See Fig.3



- Install new belt
- Replace pulley cover and (6) screws
- Remove wedge from slot
- Release clutch lever and test the unit

Optional Extended Table For Log Splitter Kit No 7490

This table is designed to fit both the Standard and the Deluxe Swisher Log Splitter. The Standard attachment slips over the beam pivot tube and attaches with the hitch pin through the vertical beam lock hole. The attachment to the Deluxe Splitter requires the use of two Table Clamps (2). These clamps tighten over the lower flange of the “I-Beam”

Assembly instructions

Set Table Support (1) on flat surface, install two Table Risers (5) with four Flange Bolts (8) and four Flange Nuts (7) each. Attach Tables (4) and (3) to the top of the Table Risers (5) with two Carriage Bolts (6) and two Flange Nuts (7) each.

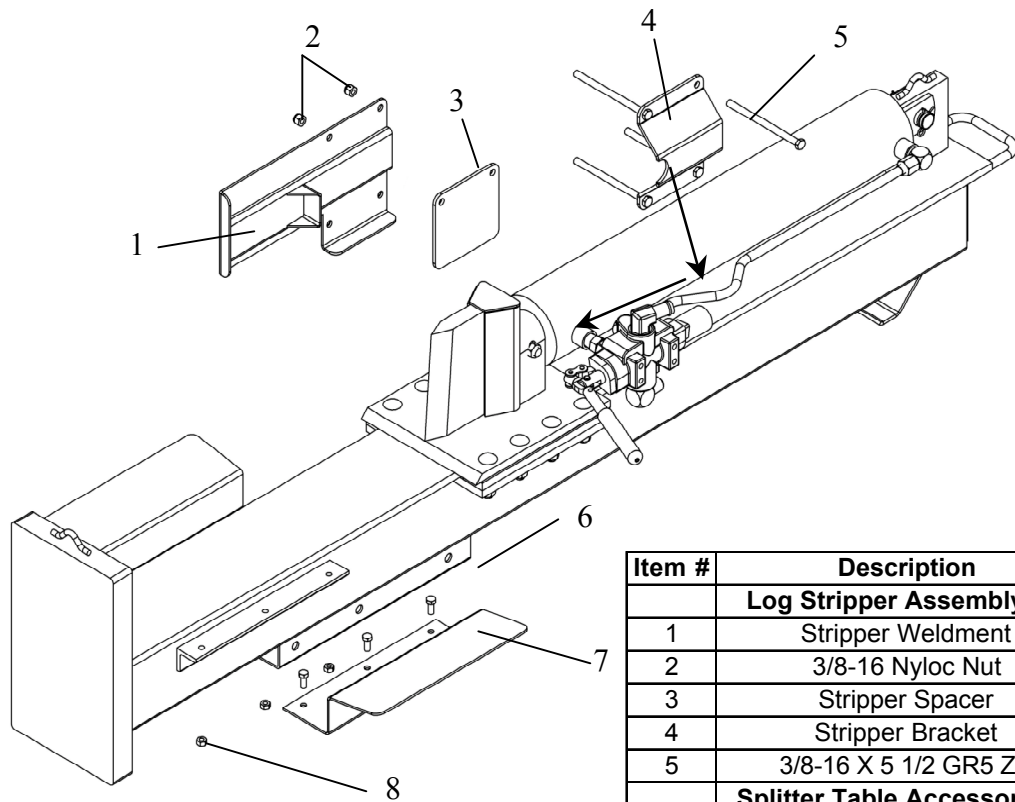
If installing on the Deluxe Splitter attach one Table Clamp (2) in the NON-slotted set of holes (finger tight). Attach with three Flange Bolts (8) and three Flange Nuts (7). Slip table assembly onto lower flange of beam and draw toward seating tightly. Install second Table Clamp (2) locking to beam. Finish the assembly by tightening all fasteners securely with wrenches.

Caution- Do not over load table allowing hitch to rise. Always block tires before using.

No. 7170

Rev.

Log Stripper and Table Detail



Item #	Description	Part #
Log Stripper Assembly Kit		7464
1	Stripper Weldment	7444TK
2	3/8-16 Nyloc Nut	NB182
3	Stripper Spacer	7449TK
4	Stripper Bracket	7448TK
5	3/8-16 X 5 1/2 GR5 ZP	NB575
Splitter Table Accessory Kit		7626
6	5/16-18 X 3/4 HCC GR2 ZP Bolt	NB143
7	Splitter Table	7621TK
8	5/16-18 ZP 2 Way Lock Nut	NB558

Log Stripper Installation Instructions

1. Turn off engine and disconnect spark plug wire. Place wire so it cannot make a connection to the engine.
2. Check to make sure parts and hardware match Bill of Materials (Parts Listing).
3. Place the Stripper Bracket (#4) around cylinder as shown. Be sure the notched area of the bracket fits around the hose fitting extrusion. This will stabilize the Log Stripper.
4. Fit the Stripper Weldment (#1) against the other side of the cylinder, temporary aligning the holes of the bracket with the holes of the weldment. Make sure the "STOP" is resting against the front area of the cylinder and the "FLANGE" is under the lip of the beam. This will stabilize the Log Stripper.
5. Add Spacer (#3), place between the cylinder and the Stripper Weldment (#1), aligning the holes at the top.
6. Insert 4 bolts as shown and secure with corresponding Nyloc nuts. Tighten and check stability.

CAUTION! Test the operation of your Log Splitter before actually splitting any wood. Make sure NO parts are interfering with one another (i.e. splitting wedge and Log Stripper.)

Splitter Table Installation Instructions

1. Place Splitter Table (#7) on top of angle welded on side of splitter beam.
2. Install 3 NB143 Bolts (#6) and 3 NB558 Nuts (#8) and tighten securely.
3. Repeat steps one and two for other side.

	Models			
	LS622	LS8526	LS934	LS10534D
Splitting Force	22 Tons	26 Tons	34 Tons	34 Tons
Engine	6 Hp Briggs and Stratton Quantum	8.5 HP Briggs and Stratton	9 HP Briggs and Stratton I/C	10.5 HP Briggs and Stratton I/C
Splitting Positions	Horizontal and Vertical	Horizontal and Vertical	Horizontal and Vertical	2 Horizontal and Vertical
Cylinder Size	4" X 24"	4 1/2" X 24"	5" X 24"	5" X 24"
Pump	2 Stage with Heavy Duty Bearings	2 Stage with Heavy Duty Bearings	2 Stage with Heavy Duty Bearings	2 Stage with Heavy Duty Bearings
Pump Specs	11 Gallons Per Minute	16 Gallons Per Minute	16 Gallons Per Minute	16 Gallons Per Minute
Valve	Auto Return	Auto Return	Auto Return	Auto Return
Drive System	Belt Drive 1:1 Ratio with Clutch for Easy Starting	Belt Drive 1:1 Ratio with Clutch for Easy Starting	Belt Drive 1:1 Ratio with Clutch for Easy Starting	Belt Drive 1:1 Ratio with Clutch for Easy Starting
Oil Capacity	6.5 Gallon	6.5 Gallon	6.5 Gallon	9 Gallon
Maximum Log length	24"	24"	24"	24"
Tire Specs	4.00 X 4.80 X 8 with High Speed Bearings	4.00 X 4.80 X 8 with High Speed Bearings	4.00 X 4.80 X 8 with High Speed Bearings	4.00 X 4.80 X 8 with High Speed Bearings
Metal Fenders	No	No	Yes	Yes
Ball Hitch	2" Ball	2" Ball	2" Ball with Trailer Jack	2" Ball with Trailer Jack
Unit Weight	515 Lbs	535 Lbs	545 Lbs	615 Lbs



OWNER'S MANUAL

MODEL NO.

LS622

LS826

LS934

LS10534D

LOG SPLITTER

HOW TO ORDER REPAIR PARTS:

Each Log Splitter has its own serial number. Each engine has its own serial number. The serial number for the Log Splitter will be found on the right hand side of the hydraulic oil reservoir. The serial number for the engine will be found on the top of the blower fan housing.

All Log Splitter parts listed herein may be ordered directly from Swisher Mower & Machine Co. Inc., your nearest Swisher dealer, or from our website.

All engine parts may be ordered from the nearest dealer of the engine supplied with your mower. Parts subject to change without notice.

WHEN ORDERING PARTS, PLEASE HAVE THE FOLLOWING INFORMATION AVAILABLE:

- * PRODUCT – SWISHER LOG SPLITTER
- * SERIAL NUMBER - _____
- * MODEL NUMBER - _____
- * ENGINE MODEL NUMBER - _____
TYPE - _____
- * PART NUMBER
- * PART DESCRIPTION

www.swisherinc.com
TELEPHONE - 1-800-222-8183
FAX - 1-660-747-8650

SWISHER MOWER & MACHINE CO., INC.
1602 CORPORATE DRIVE
WARRENSBURG, MO 64093

SWISHER MOWER & MACHINE CO. INC.

Free Manuals Download Website

<http://myh66.com>

<http://usermanuals.us>

<http://www.somanuals.com>

<http://www.4manuals.cc>

<http://www.manual-lib.com>

<http://www.404manual.com>

<http://www.luxmanual.com>

<http://aubethermostatmanual.com>

Golf course search by state

<http://golfingnear.com>

Email search by domain

<http://emailbydomain.com>

Auto manuals search

<http://auto.somanuals.com>

TV manuals search

<http://tv.somanuals.com>