

# **SYLVANIA**

**SDVD8716D**



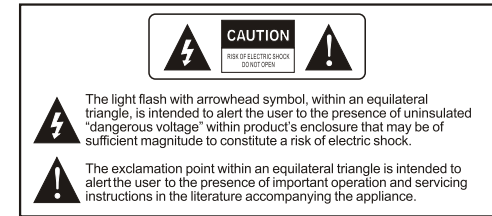
## **USER'S MANUAL**



## Table Of Contents

Safety Precaution	1
Package	3
Main Features	3
Main Unit Controls	4
System Connection	5
Basic operation	11
System Setup	14
Specification	17
Troubleshooting	18

## Safety Precaution



Warning: To reduce the risk of fire or electric shock, do not expose this apparatus to rain or moisture.

- 1) Please read the instruction manual carefully and follow all the requirements of safe operation to operate the device.
- 2) Do not use this unit near water. Do not place over the unit any container with liquid inside.
- 3) Do not install near any heat sources such as radiators, heat registers, stoves, or other apparatus (including amplifiers) that produce heat.
- 4) Unplug this unit during lightning storms or when unused for long time.
- 5) About Cleaning: Unplug the system, use only wet cloth to clean. Do not use liquid detergent or aerosol.
- 6) Only use accessories specified by the manufacturer.
- 7) Refer all servicing to qualified service personnel, servicing is required when the unit has been damaged in any way, such as power supply cord or plug is damaged, liquid has been spilled or objects have fallen into the unit, exposed to moisture, does not operate normally. Don't try to repair the machine by yourself because of the danger of high voltage and electric shock.
- 8) Do not use irregular shaped discs such as heart or star-shaped discs as they may cause the unit to malfunction.

This device complies with Part 15 of the FCC Rules. Operation is subject to the following two conditions: (1) This device may not cause harmful interference, and (2) This device must accept any interference received, including interference that may cause undesired operation.

Warning: Changes or modifications to this unit not expressly approved by the party responsible for compliance could void the user's authority to operate the equipment.

NOTE: This equipment has been tested and found to comply with the limits for a Class B digital device, pursuant to Part 15 of the FCC Rules. These limits are designed to provide reasonable protection against harmful interference in a residential installation. This equipment generates, uses and can radiate radio frequency energy and, if not installed and used in accordance with the instructions, may cause harmful interference to radio communications.

However, there is no guarantee that interference will not occur in a particular installation. If this equipment does cause harmful interference to radio or television reception, which can be determined by turning the equipment off and on, the user is encouraged to try to correct the interference by one or more of the following measures:

Reorient or relocate the receiving antenna.

Increase the separation between the equipment and receiver.

Connect the equipment into an outlet on a circuit different from that to which the receiver is connected.

Consult the dealer or an experienced radio/TV technician for help.



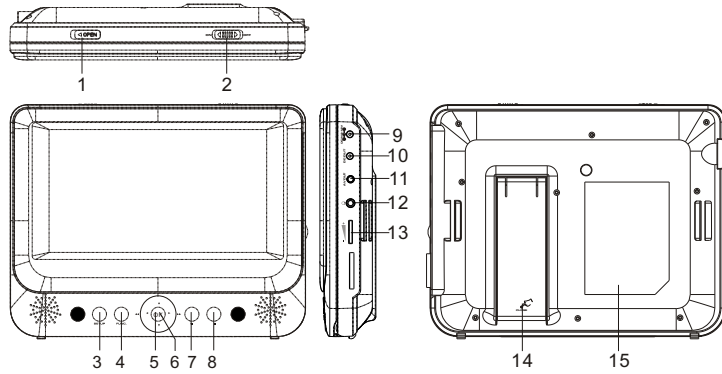
## Package

DVD player	1
AC/DC Power Adapter	1
User Manual	1
Car Adapter	1
DC/AV Cable	1
Mounting Straps	2

## Main Features

- High brightness color 7 LCD screen
- Compatible with disc of DVD,MP3,CD,JPEG,etc.
- Built-in stereo speaker
- Support PAL/NTSC system
- Support Multi-language OSD,speed forward/backward,repeat function

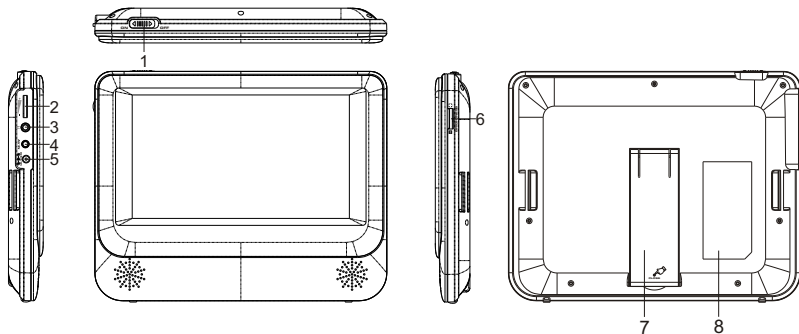
## Main Unit Controls



1. Open knob
2. Power ON/OFF switch
3. SETUP button
4. Function button
5. ▲ (⏮)/ ▼ (⏭)/ ◀ (⏪)/ ▶ (⏩)
6. OK button
7. Play/Pause
8. STOP button

9. DC IN 9-12V
10. DC OUT
11. AV OUT
12. Earphone jack
13. Volume knob
14. Bracket
15. Rating label position

## Monitor View



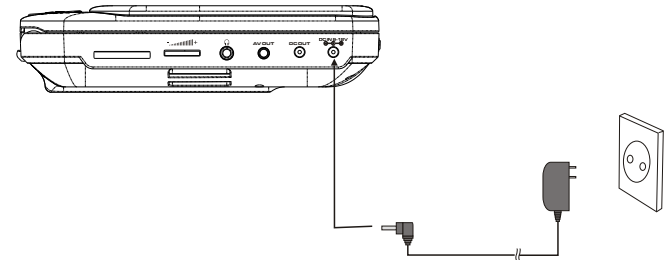
1. Power ON/OFF
2. Volume knob
3. Earphone jack
4. AV IN

5. DC IN 9-12V
6. Brightness knob
7. Bracket
8. Rating label position

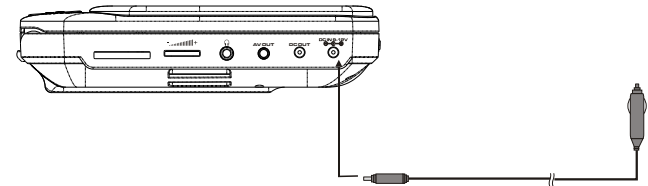
## System Connection

### Powering and installation

Plug one end of the AC/DC power adaptor into the DC IN 9-12V jack on the right of the unit, then plug the other end into the AC power receptacle. Please refer to the following illustration.



If using car cigarette lighter adaptor to connect to the power: Plug one end of the cigarette lighter adaptor into the DC IN 9-12V jack on the unit, plug the other end into the car cigarette lighter socket. See illustration below.

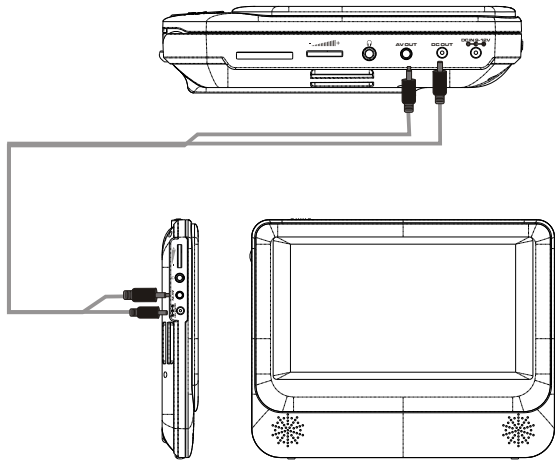


#### Note:

- ※ Car cigarette lighter adaptor is available to use only when the car cigarette lighter with DC 12V negative grounding.
- ※ The mains plug is used as the disconnect device, the disconnect device should remain readily operable.

## Connecting to monitor

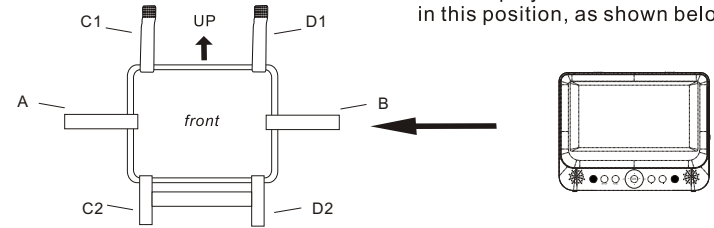
The unit can also be connected to the external LCD monitor.  
 Connect the unit to power by AC/DC adapter or cigarette lighter adapter.  
 Then connect the unit DC OUT jack to DC IN 9-12V Jack of the LCD Monitor by a DC/AV cable.  
 Also use this DC/AV cable to connect the AV OUT jack of the unit to AV IN jack of the Monitor.  
 Please refer to the illustration below.



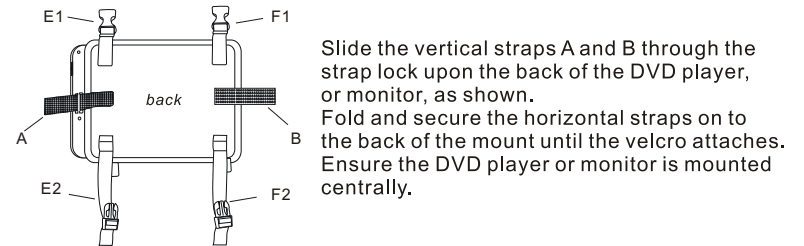
**Note:**  
 You're advised to supply both units the power by the cigarette lighter adapter only.

## Fitting the headrest mount to the DVD Player

The DVD player will fit to the mount in this position, as shown below.

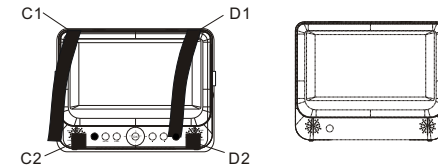


Turn the headrest and player around so the backs are facing you.



Turn the headrest and player around so the front is facing you.

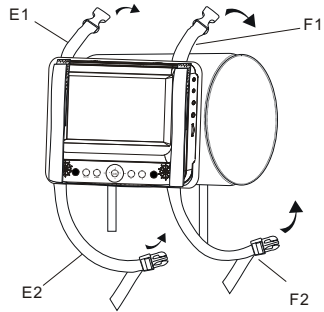
Bring straps C1, C2, D1 & D2 in front of the DVD Player and attach to the velcro as shown.



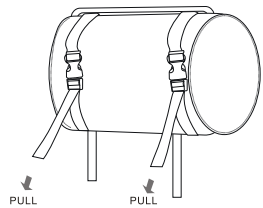
**NOTE:** Both the headrest mounts are the same, there is no difference for DVD Player or Monitor.

## Fitting the Headrest Mount to the headrest

### a. Fitting the Headrest Mount to the headrest



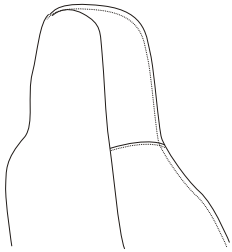
Fit the straps around the headrest and engage the 2 trident clips. Ensure clips are securely fastened.



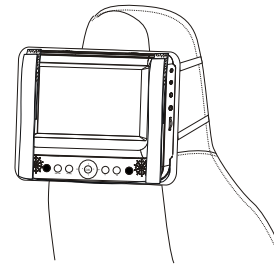
Pull the straps tight using the adjustment. Tuck the loose ends into the strap tidy.

### b. Fitting the Headrest Mount to the seat.

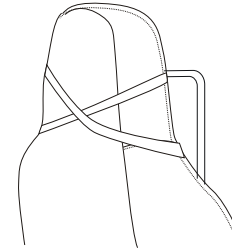
The mount is designed for the separated headrest, some cars/vans don't have separated headrest, if the seats look like as below, you must follow the below installation to fit the mount.



## 2. Fitting the Headrest Mount to the headrest



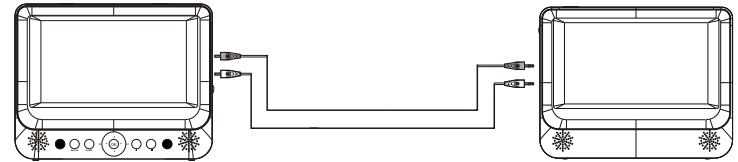
Let the belts crossing horizontally to the top seat and engage the 2 trident clips. Ensure clips are securely fastened



Pull the straps tight using the adjustment. Tuck the loose ends into the strap tidy.

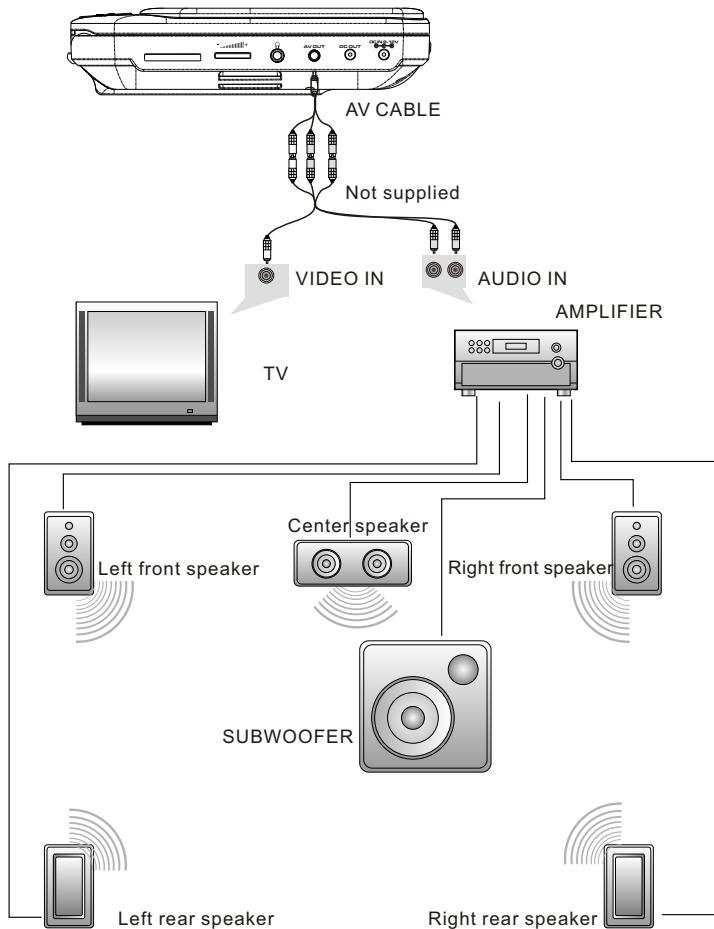
### NOTE:

Be sure to complete the installation then use SDVD8716D in the car. For SDVD8716D installation is recommended that the DVD Player is on the LEFT headrest, to ensure a neat cable run to the monitor, as shown below:



## Connecting with external Speaker

The unit can be connected with external speaker. Please see the following illustration.



Note:  
There is no 5.1 channel in the unit, however, after connecting to APM it is available to output audio in 5.1 channel.

## Basic Operation

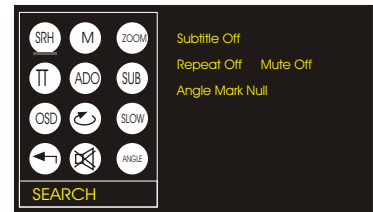
Playing disc of DVD, CD, MP3



1. Connect the unit to the power;
2. Open the unit and adjust the monitor to the best position for viewing.
3. Turn on the unit by sliding the ON/OFF switch to ON.
4. Open the disc door and insert a disc into the door with the label side facing up.
5. Close the disc door. The unit will load the disc and start playing.
6. During playback, press [▶] to pause; press it again to resume playback.
7. When playing disc of DVD, CD, Press [▶▶] , the unit will search forward. Press it repeatedly, the unit will play at 2,4,8,16,32 times of speed. press [◀◀] , the unit will search backward. Press it repeatedly, the unit will play at 2,4,8,16,32 times of speed
8. Press [■] once to stop playback; then press [▶▶] to resume playback from the point where you stopped; press [■] twice to stop playback completely.
9. When the playing is finished, please turn off the power by sliding ON/OFF switch to OFF.

## Virtual Remote Operation

1. Press "FUNCTION" button when disc is playing, you will see a virtual remote control as below, and the playback will be paused.
2. The virtual key is shown on the left of the menu, and the current playback status is displayed on the right.
3. Use the [◀▶] / [▶▶] / [◀◀] / [▶▶] button to choose the icon, when the icon is selected, you can see the description at the bottom.
4. Press OK button, the selected virtual key will be activated, "OK=Selected function" icon will be shown at top left for 10 seconds, in these 10 seconds you just need to press OK button to change the style of the function. If the icon disappear, the OK key will not work. (For Search, Return, Mute, the icon won't be shown).
5. You can also press "FUNCTION" button to close virtual remote menu without any operation. The player will resume playing after the menu exit.



- Note:
1. When the disc is in the submenu, press the function key to go back to the title menu.
  2. Stop or no disc state, the "FUNCTION" is invalid.

## Virtual Remote Operation

1. SRH (Search): Press the "SRH" key, you can see the number bar below, Use left/right key to move the cursor, press ok to confirm, when playing DVD, you can change the chapter and the title, press the "T/C" icon change the item you want to change. When playing CD, you can select the track. Note: To select the title, you need to enter two numbers.

0 1 2 3 4 5 6 7 8 9 OK T/C

2. M(Menu): to enter or exit menu root

3. ZOOM: When playing DVD discs, you can zoom in, press the "ZOOM" button and ok button to change the image size according to the following sequence: x2 x3 x4, when playing JPEG file, you can zoom in and zoom out, press the "ZOOM" button and ok button to change the image size according to the following sequence: 100% 125% 150% 200% 75% 50%.

4. TT(Title): to display title information

5. ADO( Audio): to select audio language

6. SUB(Subtitle): to select subtitle language when playing DVD disc

7. OSD: Display the disc information during playing DVD/CD. Such as elapsed time and remaining time.

8. ↻ ( Repeat): When playing disc of DVD/CD/MP3, you can change the repeat style by press repeat button. For different type of disc, it change according to different sequence.

DVD: ↻ Chapter → ↻ Title → ↻ All → Repeat off

MP3: ↻ one → ↻ folder

CD: ↻ Track → ↻ All

9. Slow: You can press slow key to change the playing speed slowly during playing DVD. Then press OK repeatedly to change the playback speed according to the following sequence: 1/2 1/4 1/8 1/16.

10. ⏪ (Return): to return to the main menu

11. 🔇 (MUTE): to turn mute

12. Angle: When playing a DVD disc with multi-angles, press "Angle" button and OK button to change the display angle.

Note: The function is available only for disc with multi-angle.

## Playing JPEG file

1. Place a JPEG disc into the tray, the unit will start reading and playing.
2. Press [ ⏪ ⏩ ] and OK button to select a JPEG file from the menu.
3. Press [ ⏪ ⏩ ] to rotate the picture clockwise.
4. Press [ ⏩ ] to reverse the picture horizontally and press [ ⏪ ] to reverse the picture vertically.

### Function operation:

Press "FUNCTION" key you will see the toolbar as below:



Press the ⏪ / ⏩ to move the cursor to select functions.

Press "OK" to select the function.

⏪ : Return, to return to the main menu.

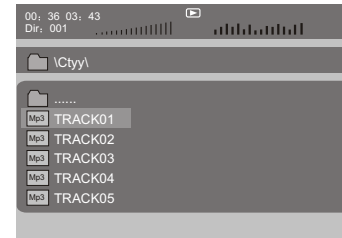
⏩ : To repeat one, repeat all.

🔍 : To zoom in/out the image during playback.

Press "FUNCTION" to exit the toolbar.

## Play Mp3 file

1. Place a Mp3 disc into the disc door.
2. Press [ ⏪ ⏩ ] to select the file; Press OK button to play the file selected.



### Function operation:

Press "FUNCTION" then you will see the toolbar as below:

0 1 2 3 4 5 6 7 8 9 OK ↻ 🔇

Press the ⏪ / ⏩ to move the cursor to select functions, Press the number key to select the track. Press "OK" to select the function.

🔇 : MUTE, to turn mute.

↻ : To select repeat one, repeat folder, repeat off.

Press "FUNCTION" to exit the toolbar



## System Setup

	<p>Press Setup button, the main menu will be displayed on the screen In the General Setup Page, Press ►► button to highlight this item. Press OK button to access. Press ◀◀►► button to select the setting. Press OK button to confirm your selection. Press ◀◀ button to exit.</p>
--	---

	<p><b>Screen Saver:</b> Enter this option to set whether to activate the screen saver function.  The default is ON.</p>
--	---

## General Setup Page

	<p><b>TV display:</b> Enter this option, user can set screen display format (Normal/PS, Normal/LB, Wide) The default is Wide Note: ☆ The function depends on the display ratio with which the DVD disc is recorded. ☆ Please choose Wide (16:9) when using a 16:9 wide screen TV set.</p>
	<p><b>Angle Mark:</b> Enter this option to set the angle during playback. Optional setting: ON, OFF  The default is: ON</p>
	<p><b>OSD Language:</b> In the option user can set OSD menu language (English, French, German, Italian).  The default: English</p>

## Video Setup Page


	<p><b>TV Type:</b> Enter this option to select TV type (PAL, NTSC) The default is NTSC.</p>
	<p>Set the Video Quality of PANEL</p>

## Preference Page

	<p><b>Audio:</b> Enter this option, user can select your preferred audio language for DVDs. The default is English. Note: ☆ The audio language depend on the material on each disc. ☆ User can also change the audio language during playback by pressing the Audio button.</p>
--	---



## Troubleshooting

PROBLEM	SOLUTION
No sound or distorted sound	Make sure the machine is connected properly. Make sure all cables are securely inserted into the appropriate jacks.
Can't advance through a movie	You can't advance through the opening credits and warning information that appears at the beginning of movies because the disc is programmed to prohibit that action.
The icon  appears on screen	The feature or action cannot be completed at this time because: 1. The disc's software restricts it. 2. The disc's software doesn't support the feature (e.g., angles) 3. The feature is not available at the moment. 4. You've requested a title or chapter number that is out of range.
Picture is distorted	The disc might be damaged. Try another disc; It is normal for some distortion to appear during forward or reverse scan.
No forward or reverse scan	Some discs have sections that prohibit rapid scanning or chapter skip; If you try to skip through the warning information and credits at the beginning of a movie, you won't be able to. This part of the movie is often programmed to prohibit skipping through it.



If at any time in the future you should need to dispose of this product please note that waste electrical products should not be disposed of with household waste. Please recycle where facilities exist. Check with your Local Authority or retailer for recycling advice. (Waste Electrical and Electronic equipment Directive)

Owing to continuous improvement, no prior notice will be given regarding changes on above feature and spec.

## Free Manuals Download Website

<http://myh66.com>

<http://usermanuals.us>

<http://www.somanuals.com>

<http://www.4manuals.cc>

<http://www.manual-lib.com>

<http://www.404manual.com>

<http://www.luxmanual.com>

<http://aubethermostatmanual.com>

Golf course search by state

<http://golfingnear.com>

Email search by domain

<http://emailbydomain.com>

Auto manuals search

<http://auto.somanuals.com>

TV manuals search

<http://tv.somanuals.com>