

### DVL515SLD 15 INCH LCD TELEVISION (Photo Stand Type)

## FEATURES

- **MTS/SAP Tuner**
- **181 Channel Selection**- All VHF/UHF channels plus up to 125 cable channels.
- **Sleep Timer**
- **Closed Caption Decoder**
- **Auto Shut Off Function**- If there is no signal input from the antenna terminal and no user operation for 15 minutes, the TV will turn itself off automatically.
- **On-Screen Function Display**
- **S-VIDEO Input**- Allows you to get better picture detail and clarity.
- **Component Input**



## PRECAUTIONS

- Place your TV in a room with adequate ventilation.
- Keep your TV set away from sources of direct heat, such as heat registers or direct sunlight.
- Do not place your TV on soft surfaces, such as rugs or blankets.
- Leave enough room for air to circulate around the bottom, top and back of the set.

The serial number of this product may be found on the back of the TV. No others have the same serial number as yours. You should record the number and other vital information here and retain this book as a permanent record of your purchase to aid identification in case of theft.

Date of Purchase	Dealer Phone No.
Dealer Purchase from	Model No.
Dealer Address	Serial No.

To install and operate the DVD/CD player with this product, please refer to the owner's manual of DVL515SL.

**IF YOU NEED ADDITIONAL ASSISTANCE WITH SET-UP OR OPERATING AFTER READING OWNER'S MANUAL, PLEASE CALL TOLL FREE 1-800-968-3429 OR VISIT OUR WEB SITE AT <http://www.SylvaniaConsumerElectronics.com>.**

## IMPORTANT SAFEGUARDS

### WARNING:

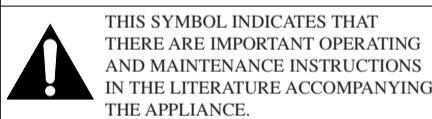
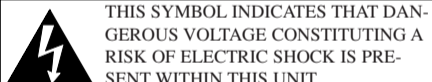
TO REDUCE THE RISK OF FIRE OR ELECTRIC SHOCK, DO NOT EXPOSE THIS APPLIANCE TO RAIN OR MOISTURE.



**CAUTION:** TO REDUCE THE RISK OF ELECTRIC SHOCK, DO NOT REMOVE COVER (OR BACK) NO USER SERVICEABLE PARTS INSIDE. REFER SERVICING TO QUALIFIED SERVICE PERSONNEL.

The important note is located on the rear of the cabinet.

1. **READ INSTRUCTIONS** - All the safety and operating instructions should be read before the appliance is operated.
2. **RETAIN INSTRUCTIONS** - The safety and operating instructions should be retained for future reference.
3. **HEED WARNINGS** - All warnings on the appliance and in the operating instructions should be adhered to.
4. **FOLLOW INSTRUCTIONS** - All operating and use instructions should be followed.
5. **CLEANING** - Unplug TV from the wall outlet before cleaning. Do not use liquid cleaners or aerosol cleaners. Use a damp cloth for cleaning.  
**EXCEPTION:** A product that is meant for uninterrupted service and, that for some specific reason, such as the possibility of the loss of an authorization code for a CATV converter, is not intended to be unplugged by the user for cleaning or any other purpose, may exclude the reference to unplugging the appliance in the cleaning description otherwise required in item 5.
6. **ATTACHMENTS** - Do not use attachments not recommended by the TV manufacturer as they may cause hazards.
7. **WATER AND MOISTURE** - Do not use this TV near water, for example, near a bath tub, wash bowl, kitchen sink, or laundry tub, in a wet basement, or near a swimming pool, and the like.
8. **ACCESSORIES** - Do not place this TV on an unstable cart, stand, tripod, bracket, or table. The TV may fall, causing serious injury to someone, and serious damage to the appliance. Use only with a cart, stand, tripod, bracket, or table recommended by the manufacturer, or sold with the TV. Any mounting of the appliance should follow the manufacturer's instructions and should use a mounting accessory recommended by the manufacturer. An appliance and cart combination should be moved with care. Quick stops, excessive force, and uneven surfaces may cause the appliance and cart combination to overturn.



- AMEUBLES - Cet appareil ne doit être placé que sur un meuble (avec ou sans roulettes) recommandé par le fabricant. Si vous l'installez sur un meuble à roulettes, déplacez les deux ensembles avec précaution. Un arrêt brusque, l'utilisation d'une force excessive et des surfaces irrégulières risquent de déstabiliser l'ensemble et de le renverser.
9. **VENTILATION** - Slots and openings in the cabinet and the back or bottom are provided for ventilation and to ensure reliable operation of the TV and to protect it from overheating, these openings must not be blocked or covered. The openings should never be blocked by placing the TV on a bed, sofa, rug, or other similar surface. This TV should never be placed near or over a radiator or heat register. This TV should not be placed in a built-in installation such as a bookcase or rack unless proper ventilation is provided or the manufacturer's instructions have been adhered to.
  10. **POWER SOURCES** - This TV should be operated only from the type of power source indicated on the marking label. If you are not sure of the type of power supply to your home, consult your appliance dealer or local power company. For TVs intended to operate from battery power, or other sources, refer to the operating instructions.
  11. **GROUNDING OR POLARIZATION** - This TV is equipped with a polarized alternating-current line plug (a plug having one blade wider than the other). This plug will fit into the power outlet only one way. This is a safety feature. If you are unable to insert the plug fully into the outlet, try reversing the plug. If the plug should still fail to fit, contact your electrician to replace your obsolete outlet. Do not defeat the safety purpose of the polarized plug.
  12. **POWER-CORD PROTECTION** - Power-supply cords should be routed so that they are not likely to be walked on or pinched by items placed upon or against them, paying particular attention to cords at plugs, convenience receptacles, and the point where they exit from the appliance.



### SYLVANIA LIMITED WARRANTY

FUNAI CORP. will repair this SYLVANIA product, free of charge in the USA in the event of defect in materials or workmanship as follows:

**DURATION:** FUNAI CORP. will provide parts to replace defective parts without charge for one (1) year from the date of original retail purchase. Certain parts and LCD image burn-in are not covered under this warranty.

**PARTS:** FUNAI CORP. will provide the labor without charge for a period of ninety (90) days from the date of original retail purchase.

**LABOR:** FUNAI CORP. will provide the labor without charge for a period of ninety (90) days from the date of original retail purchase.

**LIMITS AND EXCLUSIONS:** THIS WARRANTY IS EXTENDED ONLY TO THE ORIGINAL RETAIL PURCHASER. A PURCHASE RECEIPT OR OTHER PROOF OF ORIGINAL RETAIL PURCHASE WILL BE REQUIRED TOGETHER WITH THE PRODUCT TO OBTAIN SERVICE UNDER THIS WARRANTY. This warranty shall not be extended to any other person or transferee. This warranty is void and of no effect if any serial numbers on the product are altered, replaced, defaced, missing or if service was attempted by an unauthorized service center. This SYLVANIA Limited warranty does not apply to any product not purchased and used in the United States. This warranty only covers failures due to defects in material or workmanship which occurs during normal use. It does not cover damage which occurs in shipment, failures which are caused by repairs, alterations or product not supplied by FUNAI CORP., or damage which results from accident, misuse, abuse, mishandling, misapplication, alteration, faulty installation, improper maintenance, commercial use such as hotel, rental or office use of this product or damage which results from fire, flood, lightning or other acts of God. THIS WARRANTY DOES NOT COVER PACKING MATERIALS, ANY ACCESSORIES, ANY COSMETIC PARTS, COMPLETE ASSEMBLY PARTS, DEMO OR FLOOR MODELS. FUNAI CORP. AND ITS REPRESENTATIVES OR AGENTS SHALL IN NO EVENT BE LIABLE FOR ANY GENERAL, INDIRECT OR CONSEQUENTIAL DAMAGES ARISING OUT OF OR OCCASIONED BY THE USE OF OR THE INABILITY TO USE THIS PRODUCT. THIS WARRANTY IS MADE IN LIEU OF ALL OTHER WARRANTIES, EXPRESS OR IMPLIED, AND OF ALL OTHER LIABILITIES ON THE PART OF FUNAI. ALL OTHER WARRANTIES INCLUDING THE WARRANTY OF MERCHANTABILITY AND FITNESS FOR A PARTICULAR PURPOSE, ARE HEREBY DISCLAIMED BY FUNAI AND ITS REPRESENTATIVES IN THE UNITED STATES. ALL WARRANTY INSPECTIONS AND REPAIRS MUST BE PERFORMED BY A FUNAI AUTHORIZED SERVICE CENTER. THIS WARRANTY IS ONLY VALID WHEN THE UNIT IS CARRIED-IN TO A FUNAI AUTHORIZED SERVICE FACILITY. THE PRODUCT MUST BE ACCOMPANIED BY A COPY OF THE ORIGINAL RETAIL PURCHASE RECEIPT. IF NO PROOF OF PURCHASE IS ATTACHED, THE WARRANTY WILL NOT BE HONORED AND REPAIRS COSTS WILL BE CHARGED.

**IMPORTANT:** THIS LIMITED WARRANTY GIVES YOU SPECIFIC LEGAL RIGHTS. YOU MAY HAVE OTHER RIGHTS THAT VARY FROM STATE TO STATE. IF, AT ANY TIME DURING THE WARRANTY PERIOD, YOU ARE UNABLE TO OBTAIN SATISFACTION WITH THE REPAIR OF THIS PRODUCT, PLEASE CONTACT FUNAI CORP.

**ATTENTION:** FUNAI CORP. RESERVES THE RIGHT TO MODIFY ANY DESIGN OF THIS PRODUCT WITHOUT PRIOR NOTICE.

To locate your nearest Authorized Service Center or general service inquiries, please call or write to the following:

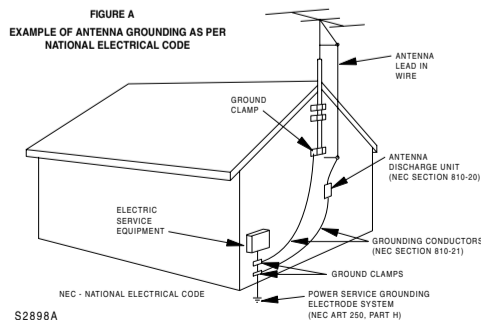
FUNAI CORPORATION, INC.  
SERVICE CENTER  
19900 Van Ness Avenue, Torrance, CA 90501  
Tel : 1-800-968-3429  
<http://www.SylvaniaConsumerElectronics.com>  
Head Office: 100 North Street, Teterboro, NJ 07608

PLEASE DO NOT SHIP YOUR UNIT TO THE TETERBORO ADDRESS.

1EMN20549

Printed in China  
L3109UK \*\*\*\*\*

13. **OUTDOOR ANTENNA GROUNDING** - If an outside antenna or cable system is connected to the TV, be sure the antenna or cable system is grounded so as to provide some protection against voltage surges and built-up static charges. Article 810 of the National Electrical Code, ANSI/NFPA No. 70, provides information with respect to proper grounding of the mast and supporting structure, grounding of the lead-in wire to an antenna discharge unit, size of grounding conductors, location of antenna-discharge unit, connection to grounding electrodes, and requirements for the grounding electrode. (Fig. A)
14. **LIGHTNING** - For added protection for this TV receiver during a lightning storm, or when it is left unattended and unused for long periods of time, unplug it from the wall outlet and disconnect the antenna or cable system. This will prevent damage to the TV due to lightning and power-line surges.
15. **POWER LINES** - An outside antenna system should not be located in the vicinity of overhead power lines or other electric light or power circuits, or where it can fall into such power lines or circuits. When installing an outside antenna system, extreme care should be taken to keep from touching such power lines or circuits as contact with them might be fatal.
16. **OVERLOADING** - Do not overload wall outlets and extension cords as this can result in a risk of fire or electric shock.
17. **OBJECT AND LIQUID ENTRY** - Never push objects of any kind into this TV through openings as they may touch dangerous voltage points or short out parts that could result in a fire or electric shock. Never spill liquid of any kind on the TV.
18. **SERVICING** - Do not attempt to service this TV yourself as opening or removing covers may expose you to dangerous voltage or other hazards. Refer all servicing to qualified service personnel.
19. **DAMAGE REQUIRING SERVICE** - Unplug this TV from the wall outlet and refer servicing to qualified service personnel under the following conditions:
  - a. When the power supply cord or plug is damaged or frayed.
  - b. If liquid has been spilled, or objects have fallen into the TV.
  - c. If the TV has been exposed to rain or water.
  - d. If the TV does not operate normally by following the operating instructions. Adjust only those controls that are covered by the operating instructions, as improper adjustment of other controls may result in damage and will often require extensive work by a qualified technician to restore the TV to its normal operation.
  - e. If the TV has been dropped or damaged in any way.
  - f. When the TV exhibits a distinct change in performance, this indicates a need for service.
20. **REPLACEMENT PARTS** - When replacement parts are required, be sure the service technician uses replacement parts specified by the manufacturer that have the same characteristics as the original part. Unauthorized substitutions may result in fire, electric shock, injury to persons or other hazards.
21. **SAFETY CHECK** - Upon completion of any service or repairs to this TV, ask the service technician to perform routine safety checks to determine that the TV is in proper operating condition.
22. **HEAT** - This TV product should be situated away from heat sources such as radiators, heat registers, stoves, or other products (including amplifiers) that produce heat.



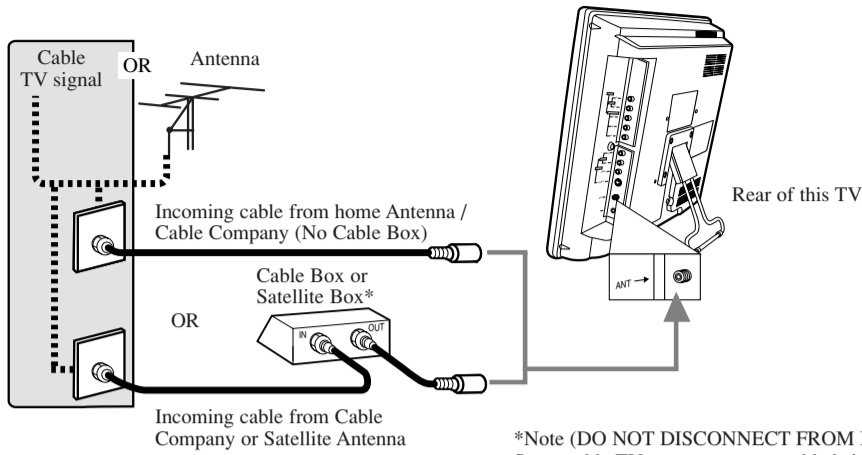
**FCC WARNING - This equipment may generate or use radio frequency energy. Changes or modifications to this equipment may cause harmful interference unless the modifications are expressly approved in the instruction manual. The user could lose the authority to operate this equipment if an unauthorized change or modification is made.**

**Note to CATV system installer:** This reminder is provided to call the CATV system installer's attention to Article 820-40 of the NEC that provides guidelines for proper grounding and, in particular, specifies that the cable ground shall be connected to the grounding system of the building as close to the point of cable entry as practical.

# PREPARATION FOR USE

## CONNECTIONS

Plug the incoming cable into the ANT jack on the rear of the TV.



\*Note (DO NOT DISCONNECT FROM BOX)  
Some cable TV systems use scrambled signals and require a special converter to receive these channels. Consult your local cable company.

You can bracket this product as wall mounting TV using the arm adapted for 100mm (commercially available).

**CAUTION:** TO PREVENT ELECTRIC SHOCK, MATCH WIDE BLADE OF PLUG TO WIDE SLOT, FULLY INSERT.

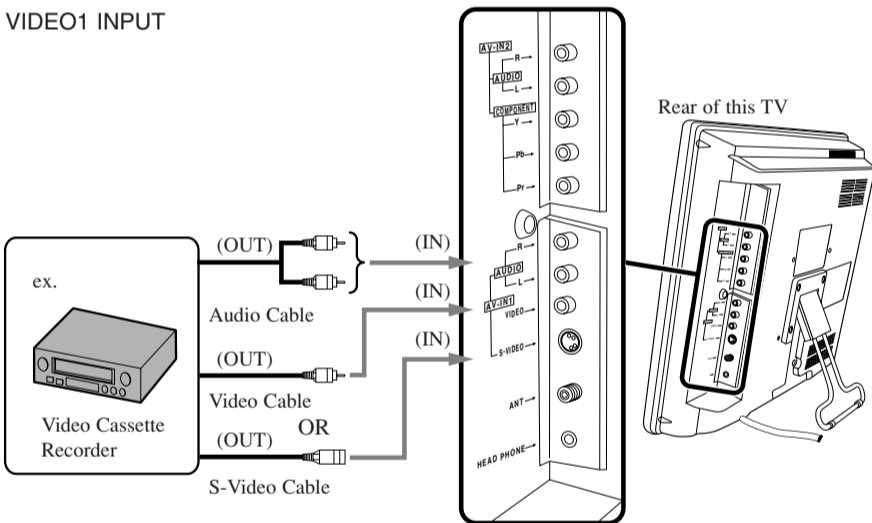
**ATTENTION:** POUR ÉVITER LES CHOC ÉLECTRIQUES, INTRODUIRE LA LAME LA PLUS LARGE DE LA FICHE DANS LA BORNE CORRESPONDANTE DE LA PRISE ET POUSSER JUSQU'AU FOND.

**Note:**

- For your safety and to avoid damages to the TV, unplug the antenna cable from the ANT jack before moving the TV.

## [EXTERNAL CONNECTION]

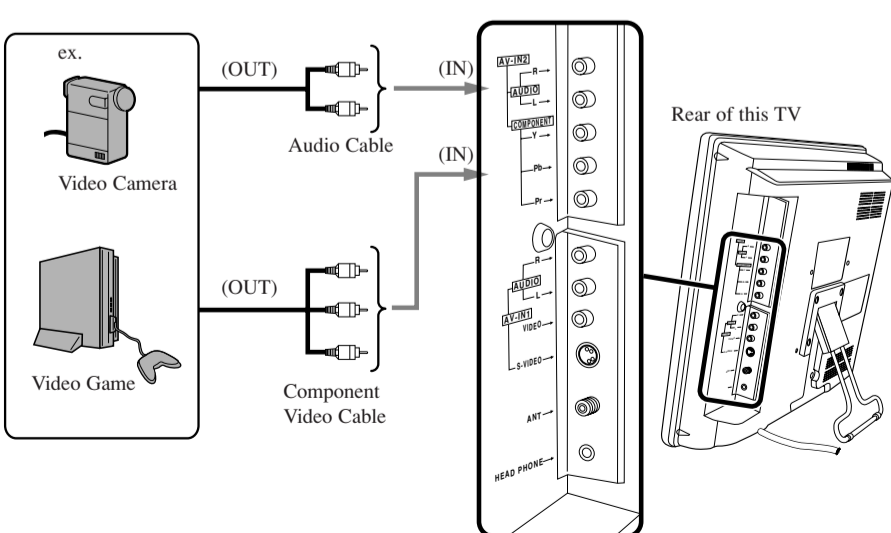
### VIDEO1 INPUT



**Note:**

- The AUDIO L jack is for mono input. The sound is heard from both speakers. Use this jack for connecting monaural audio equipment.
- The S-VIDEO jack is given priority over the VIDEO jack.

### VIDEO2 INPUT

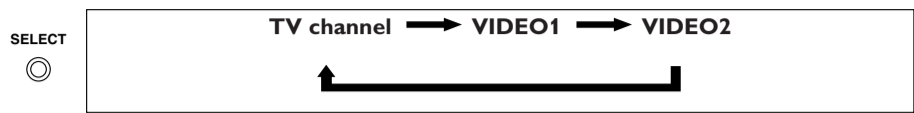


**Note:**

- The TV can accept a 480i (interlaced), 480p (progressive) or 1080i (interlaced) video signal.

## SELECTING AUDIO/VIDEO INPUT

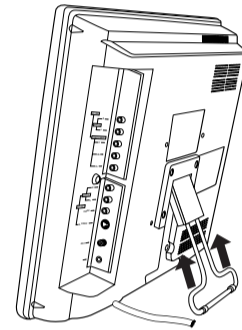
When you use the AUDIO/VIDEO input jacks, select "VIDEO1" or "VIDEO2" mode by pressing [SELECT] on this TV. The input mode changes by pressing the button as following:



## PHOTO STAND

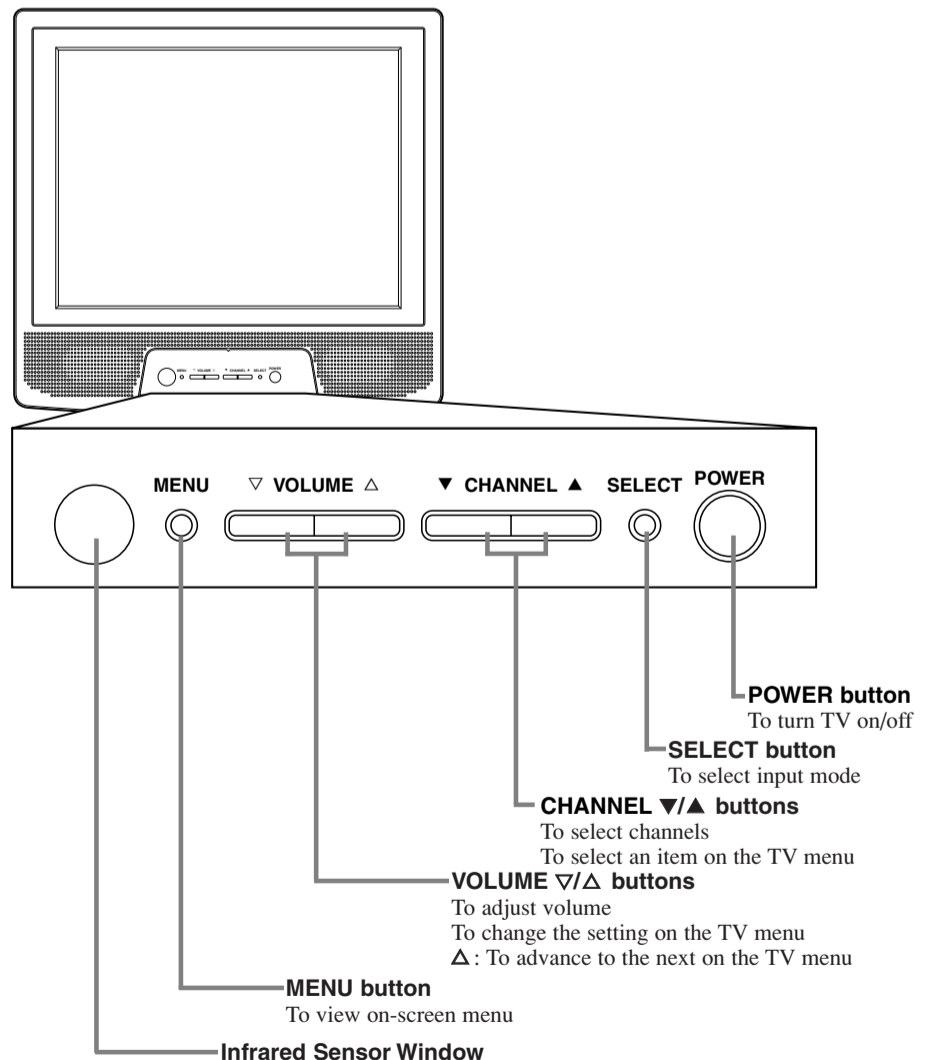
### Photo Stand

Adjust the length of the stand in 5 levels to change the angle of TV.



## OPERATIONS

### FRONT PANEL FUNCTION



**Note:**

- If some digits appear in the corner of the screen when the TV is turned on for the first time, press [POWER] without unplugging the power cord.

# OPERATIONS (Continued)

## CHANNEL SETTING

### [AUTO PRESET CHANNELS]

As the initial setting, this TV has memorized all channels, including the ones not available in your area. This feature automatically puts only available channels into the memory.

**1** Select "CHANNEL SET UP"

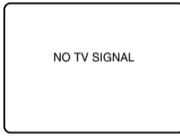
**2** Select "AUTO PRESET CH"

The tuner scans and memorizes all available channels in your area.

**3** When the scanning is completed, the lowest memorized channel appears on the TV screen.

#### Notes:

- The TV distinguishes between standard TV channels and cable (CATV) channels.
- The TV may recognize CATV channels as TV channels if reception condition is poor. If this happens, check the antenna connections and try steps **2** to **3** again when reception conditions are better.
- If there is no TV signal input, "NO TV SIGNAL" will appear on the display after the completion of channel scanning.



### [ADDING/DELETING CHANNELS]

You can add or delete channels manually.

**1** Select "CHANNEL SET UP"

**2** Select "ADD/DELETE CH"

**3** Select the channel you wish

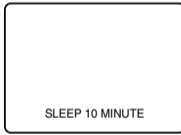
**4** Add or delete the channel

Add: light blue  
Delete: light red

**5** To exit the menu

#### Notes:

- When you disconnect the unit from the AC outlet or when you have a power failure, the sleep time will be lost.
- The Sleep Timer Setting display will disappear automatically after 10 seconds of the operation.



## SLEEP TIMER SETTING

**1** Select "SLEEP"

The time increases by 10 minutes up to 90.

## MULTI-CHANNEL TELEVISION SOUND (MTS) SYSTEM

**1** Select "TV SOUND"

**2** Select the desired sound mode

**3** To exit the menu

Menu Selection	MAIN	MONO	SAP*
Type of broadcast			
Regular	-None-	-None-	-None-
Stereo broadcast	STEREO	MONO	STEREO
SAP	MAIN	MAIN	SAP

#### \*Second Audio Program (SAP) :

Your program can also be received in a second language or sometimes a radio station.

#### Note:

- If you select [SAP] when second audio is not available, the TV will receive normal audio.

## PICTURE ADJUSTMENT

**1** Select "PICTURE"

**2** Select an item to adjust

**3** Adjust the setting

## BRIGHTNESS

Adjust until the darkest parts of the picture are as bright as you prefer.

- [-] : decrease brightness
- [+] : increase brightness

## CONTRAST

Adjust to increase or decrease contrast.

- [-] : decrease contrast
- [+] : increase contrast

## COLOR

Adjust to be brilliant or pale color.

- [-] : be pale color
- [+] : be brilliant color

## TINT

Adjust to obtain natural skin tones.

- [-] : add red
- [+] : add green

## SHARPNESS

Adjusts the detail of the picture.

- [-] : make soft
- [+] : make clear

## BACK LIGHT SETTING

**1** Select "BACK LIGHT"

#### Notes:

- The display will disappear automatically after 10 seconds unless you press any buttons.
- Magnetism from nearby appliances and speakers might affect the color of the TV picture. If this happens, press [POWER] to turn off the TV and turn it on again after about 30 minutes.

**2** Select the desired brightness mode

**3** To exit the menu

## CLOSED CAPTION

You may view specially labeled (cc) TV programs, movies, news and prerecorded tapes, etc. with either a dialogue caption or text display added to the program.

**1** Select "CAPTION"

**2** Select the desired caption mode

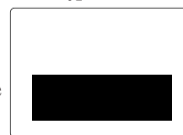
**3** To exit the menu

### [CAPTION MODE (CAPTION1, CAPTION2)]

- CAPTION1** displays standard closed captions (what a character is saying).
- CAPTION2** displays foreign language closed captions (foreign language words showing what a character is saying).
- There are three ways of displaying according to programs:
  - Paint-on mode** : Displays input characters on the screen immediately.
  - Pop-on mode** : Once characters are stored in memory, they are displayed all at once.
  - Roll-up mode** : Displays the characters continuously by scrolling (max. 4 lines).

### [TEXT MODE (TEXT1, TEXT2)]

- TEXT1** and **TEXT2** display half-screen text by scrolling (such as a channel guide, schedule or announcement).



#### Notes:

- If closed captioning is not broadcasted, you cannot receive it and nothing is displayed.
- When your TV receives a special effects playback signal (i.e., Search, Slow and Still) from a VCR's video output channel (CH3 or CH4), the TV may not display the correct caption or text.
- Captions and texts may not match the TV voice exactly.
- Interference may cause the closed caption system not to function properly.
- The caption or text characters will not be displayed while the menu display or functions display is shown.
- If a black box appears on the screen, this means that the TV is set to TEXT mode. To clear screen, select [CAPTION1], [CAPTION2] or [OFF].

## OPTIONAL SETTINGS

### LANGUAGE SELECTION

**1** Select "LANGUAGE"

**2** Select the desired language

**3** To exit the menu

# TROUBLESHOOTING GUIDE

Sometimes a performance problem can be easily solved by checking seemingly apparent but often overlooked possibilities. Before arranging for service, check these items. It could save your time and money.

QUICK SERVICE CHECK LIST	PROBLEM													
	Bars On Screen	Picture Distorted	Picture Rolls Vertically	No Color	Poor Reception on Some Channels	Weak Picture	Lines or Streaks in Picture	Ghosts in picture	Picture Blurred	Sound OK, Picture Poor	Picture OK, Sound Poor	No Picture or Sound	Different color marks on screen	Black or Luminous point on Screen
<b>POSSIBLE REMEDY</b>														
Try a new channel, if OK, then possible station trouble.	X	X	X	X	X	X	X	X	X	X	X	X	X	X
Is TV plugged in? Power at outlet?													X	
Is TV's power on?													X	
Is antenna or cable connected to terminal on the back of the set?				X	X	X	X	X	X	X	X	X		
If outside antenna is being used, check for broken wire or loose connection.	X	X	X	X	X	X	X	X	X	X	X	X		
Check for local interference.	X	X	X	X	X	X	X	X	X	X	X	X		
Turn off the TV and then turn it on after about a minute.													X	
Adjust COLOR control.				X										
Adjust CONTRAST & BRIGHT control.						X				X				
Move the TV away from the nearby appliances which generate a magnetic field. Turn off using [POWER], then turn it on again 30 minutes later or so.													X	
Temperature around is too low.		X				X				X				
Life of the Back Light is approximately 50,000 hours. Ask the Service Center to replace.						X				X				
It is quality of the LCD Panel.														X

Closed Caption Problem	Possible Remedy
Misspelled captions are shown.	Spelling errors may pass through uncorrected by the closed captioning production company in a live broadcast.
Text is not shown in its entirety or there is a delay of what is being said.	Captions that are delayed a few seconds behind the actual dialogue are common for live broadcasts. Most captioning production companies can display a dialogue to a maximum of 220 words per minute. If a dialogue exceeds that rate, selective editing is used to insure that the captions remain up-to-date with the current TV screen dialogue.
Captions are scrambled with white boxes on the TV screen.	Interference caused by building, power lines, thunderstorms, etc. may cause scrambled or incomplete captions to appear.
No captions are displayed in a program which must contain closed caption.	Broadcasters may use a time compression process to the actual program so that additional advertising time can be given. In this case, captions will be lost since the decoder cannot read the compressed information.
No captions are displayed when playing a prerecorded videotape with closed caption.	The videotape may be either an illegal copy or the tape duplicating company may accidentally have left out the captioning signals during the copying process.
The TV screen shows a black box.	You are in TEXT mode. Select [CAPTION1], [CAPTION2] or [OFF].

The LCD panel is manufactured to provide many years of useful life. Occasionally a few non active pixels may appear as a tiny spec of color. This is not to be considered a defect in the LCD screen.

## MEMO

# MAINTENANCE

## CABINET CLEANING

- Wipe the front panel and other exterior surfaces of the TV with a soft cloth immersed in lukewarm water and wrung dry.
- Never use a solvent or alcohol. Do not spray insecticide liquid near the TV. Such chemicals may cause damage and discoloration to the exposed surfaces.

## PICTURE SCREEN CLEANING

If the liquid crystal display panel should require cleaning, wipe it with a cotton or soft cloth. Before cleaning the picture screen, disconnect the power cord.

# SUPPLIED ACCESSORIES

- Owner's Manual (1EMN20549)

# SPECIFICATIONS

## GENERAL SPECIFICATIONS

Television system:	NTSC-M TV Standard
Closed Caption System:	\$15.119/FCC
Channel coverage	VHF: 2 – 13 UHF: 14 – 69 CATV: 2 – 13, A – W, W+1 – W+84, A-5 – A-1, 5A
Tuning System:	181 channel frequency synthesized tuning system
Channel access:	Direct access keyboard, programmable scan and up/down
Terminals	
Antenna input:	VHF/UHF/CATV 75 ohm unbalanced (F-type)
S-Video input:	Mini DIN 4-pin jack
Video input:	RCA connector x 1
Audio input:	RCA connector x 4
Component video input:	One pin jack (Y), 1Vpp (75 ohm) Two pin jacks (Pr)/(Pb), 700mVpp (75 ohm)
Headphone:	1/8" stereo (3.5mm)
Stereo Sound System	2 speakers 2 ways AV input

## ELECTRICAL SPECIFICATIONS

Sound output: 1W, 8 ohm x 2

## OTHER SPECIFICATIONS

Operating temperature:	5°C to 40°C (41°F – 104°F)
Power requirements:	AC120V, 60Hz
Power consumption (Maximum):	45W
LCD:	15"
Dimensions (H x W x D):	
Photo Stand open	13-7/16" x 15-3/16" x 8-1/8" (341mm x 385mm x 206mm)
Photo Stand close	14-5/16" x 15-3/16" x 3-1/8" (363mm x 385mm x 80mm)
Weight:	
With Photo Stand:	7.3 lbs. (3.3kg)
Without Photo Stand:	6.8 lbs. (3.1kg)

- Designs and specifications are subject to change without notice and without our legal obligation.
- If there is a discrepancy between languages, the default language will be English.

**DVL515SLD**  
**15 PULGADAS**  
**TELEVISION DE CRISTAL LIQUIDO**  
 (Tipo marco para fotos)

## CARACTERISTICAS

- **Sintonizador MTS/SAP**
- **Selección de 181 canales-** Todos los canales VHF/UHF y 125 canales de cable.
- **Temporizador para dormir**
- **Decodificador de subtítulos**
- **Función de desconexión automática-** Si no hay entrada de señal del terminal de antena ni se hace funcionar durante 15 minutos, el TV se apagará automáticamente.
- **Indicación de funciones en la pantalla**
- **Entrada S-VIDEO-** Permite ver mejores detalles y nitidez de imagen.
- **Entrada componente**



## PRECAUCIONES

- Coloque su TV en una habitación con adecuada circulación de aire.
- Mantenga su TV lejos de fuentes de calor directas tales como calefactores o rayos directos del sol.
- No coloque su TV en una superficie suave como alfombras o mantas.
- Deje suficiente espacio para que el aire circule alrededor de la parte inferior, arriba y atrás del aparato.

El número de serie de este producto está en la parte trasera del TV. Nadie tiene el mismo número de serie que el suyo. Debe registrar el número y otra información importante aquí y guardar el libro como un registro permanente de su compra para ayudar a su identificación en caso de robo.

Fecha de compra		Nº de teléfono de la tienda	
Tienda donde se compró		Nº de modelo	
Dirección de la tienda		Nº de serie	

Para instalar y hacer funcionar el reproductor de DVD/CD con este producto, consulte el manual del propietario del DVL515SL.

Si usted necesita asistencia adicional para la instalación u operación después de leer el manual del usuario, por favor llame por la línea gratuita al: 1-800-968-3429. O visite nuestro sitio Web en <http://www.SylvaniaConsumerElectronics.com>.

## IMPORTANTE PARA SU SEGURIDAD

### ADVERTENCIA:

PARA REDUCIR EL RIESGO DE INCENDIO O DE SHOCK ELÉCTRICO, NO EXPONGA ESTE ARTEFACTO A LA LLUVIA O LA HUMEDAD.



**PRECAUCION**  
**RIESGO DE SHOCK**  
**ELECTRICO NO ABRIR**

**PRECAUCION:** PARA REDUCIR EL RIESGO DE SHOCK ELECTRICO, NO quite la cubierta (o la tapa posterior). EL APARATO NO TIENE ADENTRO PIEZAS QUE PUEDAN REPARARSE. DEJE LA REPARACION AL PERSONAL DE SERVICIO CALIFICADO.

La nota importante está colocada en la parte trasera del gabinete.

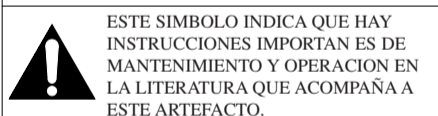
1. LEA LAS INSTRUCCIONES - Lea detenidamente todas las instrucciones de seguridad y operación antes de usar el aparato.
2. CONSERVE LAS INSTRUCCIONES - Conserve las instrucciones de seguridad y operación para consultas futuras.
3. RESPETE LAS ADVERTENCIAS - Observe estrictamente todas las advertencias impresas en el aparato y las incluidas en el manual de instrucciones.
4. SIGA LAS INSTRUCCIONES - Siga todas las instrucciones de operación.
5. LIMPIEZA - Desconecte el TV del tomacorriente mural antes de limpiarlo. No use limpiadores líquidos ni aerosol. Use un paño húmedo para la limpieza del aparato.  
**EXCEPCION:** Un producto diseñado para servicio ininterrumpido y que por alguna razón, como ser la posibilidad de pérdida del código de autorización para un convertidor CATV, no debe ser desconectado por el usuario para limpieza u otro propósito, puede no incluir la advertencia en cuanto a no desconectar el aparato, en la descripción del procedimiento de limpieza 5.
6. ENCHUFES - No use enchufes no recomendados por el fabricante del TV, ya que podría ser peligroso.
7. AGUA Y HUMEDAD - No use este TV cerca del agua, por ejemplo, cerca de una bañera o lavamanos, cerca del fregadero de la cocina o lavandería, en un piso mojado, cerca de una piscina, etc..
8. ACCESORIOS - No instale este TV en un carro, soporte, trípode o mesa inestables. El TV podría caerse, causando serias lesiones a un niño o adulto, resultando también severamente dañado. Uselo sólo el un carro, soporte, trípode o mesa recomendados por el fabricante, o vendidos con el TV. Toda instalación del aparato debe hacerse de acuerdo a las instrucciones del fabricante, empleando los accesorios de instalación recomendados por el mismo. La combinación de aparato y carro deberán ser movida



ADVERTENCIA DE CARRETA PORTATIL  
 S3120A



ESTE SIMBOLO INDICA QUE EN ESTA UNIDAD HAY VOLTAJE PELIGROSO LO CUAL CONSTITUYE UN RIESGO DE SHOCK ELECTRICO.



ESTE SIMBOLO INDICA QUE HAY INSTRUCCIONES IMPORTANTES DE MANTENIMIENTO Y OPERACION EN LA LITERATURA QUE ACOMPAÑA A ESTE ARTEFACTO.

9. VENTILACIÓN - El gabinete del aparato tiene ranuras y aberturas de ventilación que garantizan el funcionamiento confiable del TV, evitando que se recaliente. Estas aberturas no deberán ser bloqueadas ni cubiertas. Para evitar bloquear las aberturas, nunca sitúe el TV encima de una cama, sofá, alfombra u otra superficie similar. Tampoco instale el TV cerca o encima de un radiador o calefactor. El TV no debe ser instalado en un mueble empotrado, como ser una repisa para libros o bastidor, a menos que se pueda garantizar una ventilación adecuada, o cuando las instrucciones del fabricante así lo especifiquen.
10. ALIMENTACIÓN - Este TV sólo debe ser operado mediante el tipo de fuente de alimentación especificado en la etiqueta indicadora. Si no está seguro del tipo de fuente de alimentación que tiene en su casa, consulte a su distribuidor o a la compañía de electricidad local. En el caso de TV diseñados para funcionar a pilas o con otras fuentes de alimentación, consulte el manual de instrucciones respectivo.
11. CONEXIÓN A TIERRA O POLARIZACIÓN - Este TV está equipado con una clavija polarizada de corriente alterna (una clavija que tiene una espiga más ancha que la otra). Esta clavija solamente podrá ser insertada en el tomacorriente en una sola dirección. Esta es una medida de seguridad. Si no pudiera insertar completamente la clavija en el tomacorriente, vuelva a intentarlo invirtiendo la clavija. Si aún no fuera posible insertar la clavija, tome contacto con un electricista para que repare su tomacorriente obsoleto. No modifique las características de seguridad de la clavija polarizada.
12. PROTECCIÓN DEL CABLE DE ALIMENTACIÓN - Los cables de alimentación deberán ser tendidos de manera tal que la probabilidad de que sean pisados o aplastados por otros objetos sea mínima. Preste especial atención a las clavijas de los cables, a los receptáculos, y al punto por donde salen del aparato.

### SYLVANIA GARANTIA LIMITADA

FUNAI CORP. reparará este producto libre de cargos en los EE.UU. de América, en caso de defectos en los materiales u obra de mano, de la siguiente manera:

**DURACION:**  
**Partes:** FUNAI CORP. proveerá las partes necesarias para reemplazar las piezas defectuosas sin ningún cargo durante un (1) año a partir de la fecha de la compra original al minorista. Ciertas partes y la imagen secundaria en el LCD no están cubiertas por esta garantía.

**Mano de obra:** FUNAI CORP. proveerá la mano de obra necesaria sin cargos por un período de noventa (90) días a partir de la fecha de compra original al minorista.

**LIMITES Y EXCLUSIONES:**  
 ESTA GARANTÍA ES EXTENSIVA SOLAMENTE AL COMPRADOR ORIGINAL DEL MINORISTA. UN RECIBO DE COMPRA U OTRA PRUEBA DE LA COMPRA ORIGINAL SERÁ REQUERIDA JUNTO CON EL PRODUCTO PARA OBTENER SERVICIO CUBIERTO POR ESTA GARANTÍA.

Esta garantía no será extendida a ninguna otra persona o cesionario.

Esta garantía queda anulada y no tendrá efecto si cualquier número serial del producto es alterado, reemplazado, mutilado o faltante, o si un centro de servicio no autorizado intenta realizar reparaciones. Esta garantía limitada de SYLVANIA no es aplicable a cualquier producto que no haya sido comprado y usado en los Estados Unidos de América.

Esta garantía solamente cubre fallas debido a defectos en los materiales o mano de obra que hayan ocurrido durante el uso normal del producto. Por lo tanto no cubre daños ocurridos durante su transporte, o fallas causadas por su reparación, alteración o productos no provistos por FUNAI CORPORATION, o daños que resulten de accidentes, mal uso, abuso, maltrato, uso indebido, alteración, instalación defectuosa, mantenimiento incorrecto, uso comercial como en hoteles, renta u oficinas, o daños como consecuencia de incendio, inundación, rayos u otros casos de fuerza mayor.

ESTA GARANTIA NO CUBRE LOS MATERIALES DE EMPAQUE, NINGUN ACCESORIO, NINGUNA PARTE COSMETICA, PARTES COMPLETAS DE MONTAJE, DEMOSTRACION O MODELOS DE EXHIBICION.

FUNAI CORP. Y SUS REPRESENTANTES O AGENTES NO SERAN SOMETIDOS BAJO NINGUN CONCEPTO A NINGUNA RESPONSABILIDAD POR DAÑOS GENERALES, INDIRECTOS O COMO CONSECUENCIA, ORIGINADOS U OCASIONADOS POR EL USO O LA INCAPACIDAD DE USAR ESTE PRODUCTO. ESTA GARANTIA ES EMITIDA EN LUGAR DE CUALQUIER OTRA GARANTIA, EXPRESA O IMPLICITA, Y DE CUALQUIER OTRA RESPONSABILIDAD DE PARTE DE FUNAI. CUALQUIER OTRA GARANTIA INCLUYENDO LA GARANTIA DE COMERCIALIZACION, Y APTITUD PARA UN OBJETIVO EN PARTICULAR, QUEDA POR LA PRESENTE RECHAZADA POR FUNAI Y SUS REPRESENTANTES EN LOS ESTADOS UNIDOS DE AMERICA. CUALQUIER INSPECCION Y REPARACION BAJO GARANTIA DEBERA SER REALIZADA POR EL CENTRO DE SERVICIO AUTORIZADO DE FUNAI. ESTA GARANTIA ES VALIDA CUANDO EL APARATO ES LLEVADO A UN LUGAR DE SERVICIO AUTORIZADO FUNAI.

EL PRODUCTO DEBERA LLEGAR ACOMPAÑADO POR UNA COPIA DEL RECIBO ORIGINAL DE COMPRA. SI NO SE AGREGA NINGUN COMPROBANTE DE LA COMPRA, LA GARANTIA NO TENDRA VALIDEZ Y LOS GASTOS DE REPARACION SERAN CARGADOS AL CLIENTE.

**IMPORTANTE:**  
 ESTA GARANTIA LIMITADA LE OTORGA A USTED DERECHOS LEGALES ESPECIALES. POSIBLEMENTE USTED TENGA OTROS DERECHOS QUE VARIAN DE ACUERDO AL ESTADO EN QUE VIVE. SI, EN CUALQUIER MOMENTO DURANTE EL PERIODO DE GARANTIA USTED SE VE IMPEDIDO DE SENTIRSE SATISFECHO CON LA REPARACION DE ESTE PRODUCTO, POR FAVOR CONTACTE A FUNAI CORP.

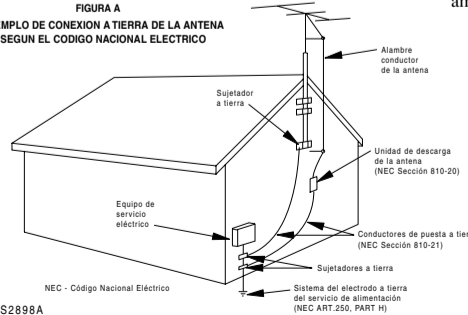
**ATENCION:**  
 FUNAI CORP. SE RESERVA EL DERECHO A MODIFICAR CUALQUIER PARTE DEL DISEÑO DE ESTE PRODUCTO SIN PREVIO AVISO.

Para localizar su Centro de Servicio Autorizado más cercano o para preguntas generales de servicio, por favor llame o escriba a:

**FUNAI CORPORATION, INC.**  
**SERVICE CENTER**  
 1900 Van Ness Avenue, Torrance, CA 90501  
**Tel : 1-800-968-3429**  
<http://www.SylvaniaConsumerElectronics.com>  
 Head Office: 100 North Street, Teterboro, NJ 07608  
**POR FAVOR NO TRANSPORTE SU UNIDAD A LA DIRECCIÓN DE TETERBORO.**

L3109UK

13. CONEXIÓN A TIERRA DE LA ANTENA EXTERIOR - Si conecta una antena exterior o sistema de cable al TV, asegúrese de conectar a tierra la antena o el sistema de cable para tener una cierta protección contra alzas repentinas de tensión y cargas de electricidad estática. Las Artículo 810 del Código Nacional de Electricidad, ANSI/NFPA, núm. 70, entrega información acerca de la manera correcta de conectar a tierra el mástil y la estructura soportante, tamaño de los conductores de puesta a tierra, ubicación de la unidad de descarga de la antena, conexión a los electrodos de tierra, y requisitos para el electrodo de tierra. (Fig. A)
14. TORMENTAS ELÉCTRICAS - Como medida adicional de protección durante tormentas eléctricas, o cuando el grabador de videocassetes permanezca sin uso durante períodos prolongados de tiempo, desconecte el tomacorriente mural y desconecte la antena o sistema de cable. Esto evita que el TV resulte dañado por tormentas eléctricas o sobretensiones en la línea de alimentación.
15. LÍNEAS DE ALIMENTACIÓN - Un antena exterior no debe ser instalada en la cercanía de líneas de alimentación aéreas ni de otros circuitos de potencia para iluminación eléctrica, o donde pueda caerse y hacer contacto con tales líneas o circuitos. Al instalar un sistema de antena exterior, tenga mucho cuidado de no tocar tales líneas o circuitos de alimentación, ya que el contacto con ellos podría ser fatal.
16. SOBRECARGA - No sobrecargue los tomacorrientes murales ni los cables de extensión, ya que esto podría causar incendios o descargas eléctricas.
17. ENTRADA DE OBJETOS Y LÍQUIDOS - Nunca introduzca objetos de ningún tipo por las aberturas de este TV, ya que podría tocar peligrosos puntos de alta tensión o piezas de cortocircuito, provocando incendios o descargas eléctricas. Nunca derrame ningún tipo de líquido sobre el TV.
18. SERVICIO - No intente reparar el TV usted mismo; al



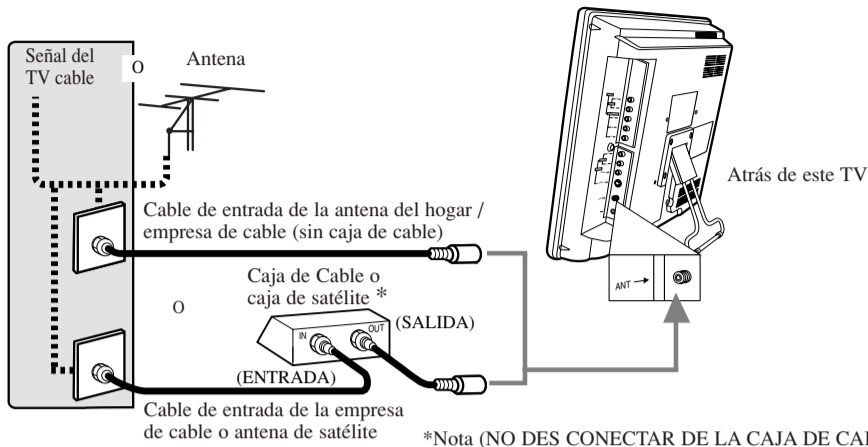
**ADVERTENCIA DE LA FCC - Este equipo puede generar o utilizar energía de radiofrecuencia. Los cambios o modificaciones del equipo pueden causar serias interferencias si dichos cambios o modificaciones no han sido expresamente aprobados en el manual de instrucciones. El usuario podrá perder la autoridad para operar este equipo si efectúa una modificación o cambio no autorizado.**

**Nota para la persona que instale el sistema CATV:**  
 Este recordatorio se agrega para llamar la atención de quien instale el sistema CATV, con respecto al Artículo 820-40 de la NEC que provee directivas guía para realizar una conexión adecuada a tierra y, en particular, especifica que el cable de puesta a tierra debe ser conectado al sistema de terminal a tierra del edificio lo más cercano al punto de entrada del cable como sea posible.

# PREPARATIVOS PARA EL USO

## CONEXIONES

Enchufe el cable de entrada en la toma ANT atrás de la unidad.



\*Nota (NO DES CONECTAR DE LA CAJA DE CABLE)  
Algunos sistemas de TV por cable utilizan señales codificadas y requieren un convertidor especial para recibir estos canales. Consulte con su empresa de cable local.

Puede instalar este producto como TV montado en la pared utilizando un brazo de adaptador para 100 mm (de venta en los comercios).

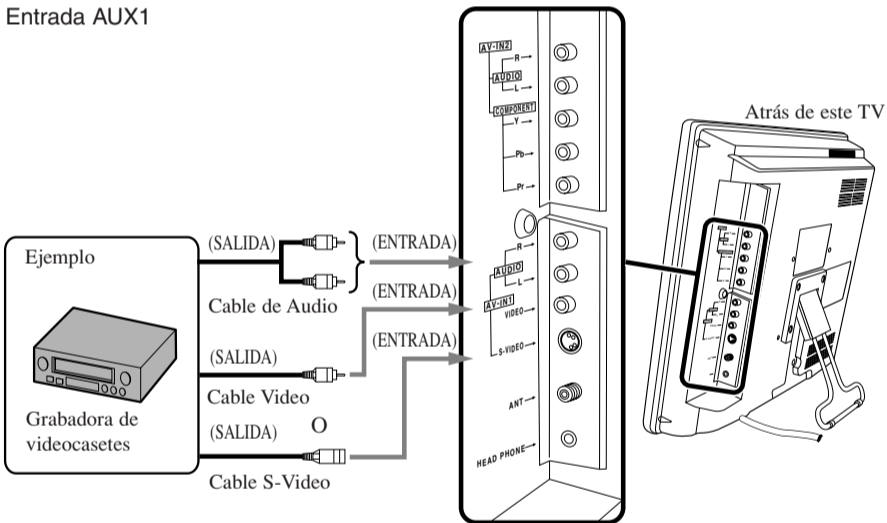
**PRECAUCIÓN:** PARA IMPEDIR DESCARGAS ELÉCTRICAS, INTRODUZCA LA PATILLA ANCHA EN LA RANURA ANCHA E INSERTE A FONDO LA CLAVIJA.

### NOTA:

- Para su seguridad y para evitar daños en el TV, desenchufe el cable de antena de la toma ANT antes de transportar el TV.

## [CONEXION EXTERNA]

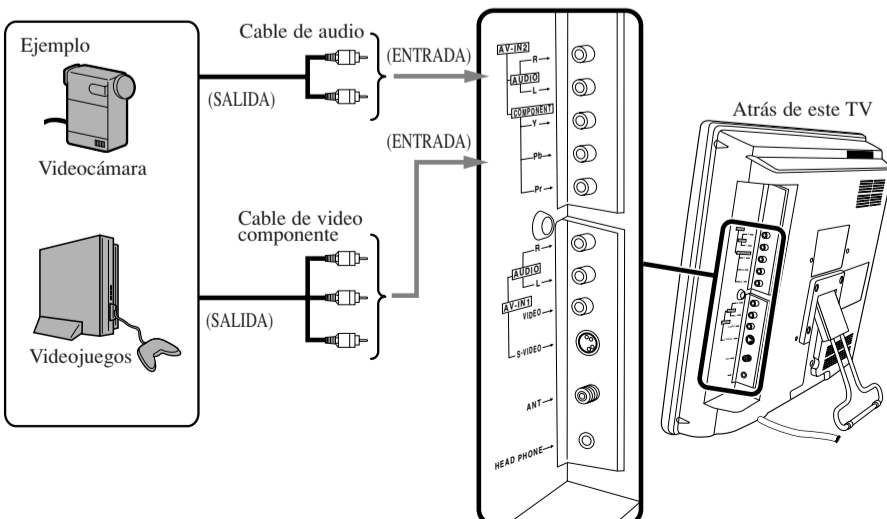
Entrada AUX1



### Nota:

- La toma AUDIO L es para entrada monoaural. El sonido se escucha por ambos altavoces. Utilice esta toma para conectar un equipo de audio monoaural.
- La toma S-VIDEO tiene prioridad sobre la toma VIDEO.

Entrada AUX2



### Nota:

- El TV puede aceptar una señal de video de 480i (interenlazada), 480p (progresivo) o 1080i (interenlazada).

## SELECCION DE LA ENTRADA AUDIO/VIDEO

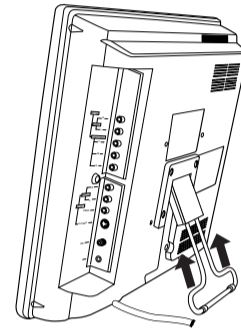
Cuando utilice las tomas de entrada AUDIO/VIDEO, seleccione el modo "AUX1" o "AUX2" presionando [SELECT] en el mando a distancia. El modo de entrada cambia presionando el botón de la siguiente forma:



## MARCO PARA FOTOS

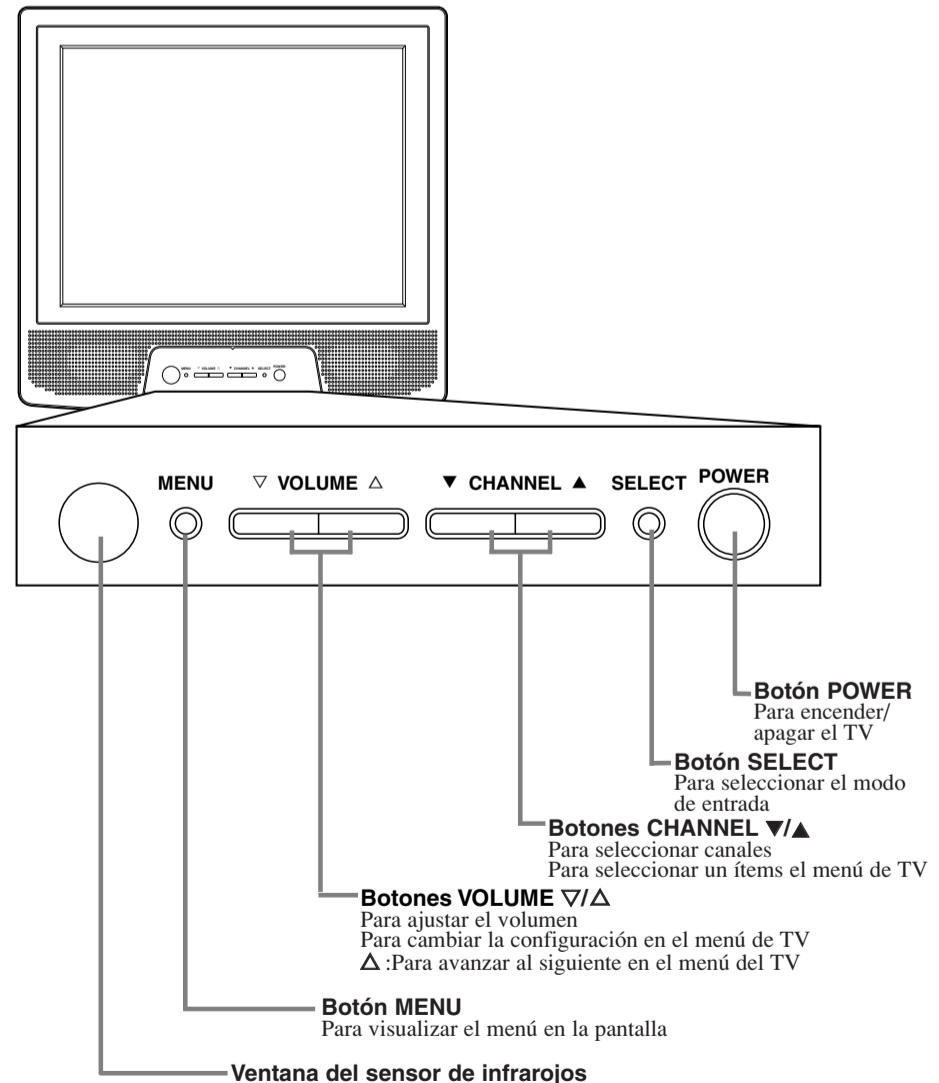
Marco para fotos

Ajuste la longitud del marco en 5 pasos para cambiar el ángulo de TV.



## OPERACIONES

### FUNCIONES DEL PANEL DE ENFRETE



### Nota:

- Si aparecen algunas cifras en la esquina de la pantalla de TV al encender por primera vez, presione [POWER] sin desenchufar el cable eléctrico.

# OPERACIONES (continúa)

## AJUSTE DE CANAL

### [PREAJUSTE AUTO DE CANALES]

Como el ajuste inicial, todos canales están memorizados en este TV, incluyendo los canales no disponibles en su área. Esta función puede poner los canales sólo disponibles en la memoria.

- 1 Seleccione "AJUSTE DE CANAL"

2 Seleccione "PREA. AUTO CA."

El sintonizador barre y memoriza todos los canales existentes en su región.
- 3 Cuando se completó el barrido, aparece el canal memorizado más bajo en la pantalla de TV.

- Notas:**
- El TV diferencia entre los canales de TV normales y los canales de cable (CATV).
  - El TV puede reconocer los canales de TV como canales CATV si el estado de la recepción es malo. En este caso, verifique las conexiones de la antena y pruebe nuevamente los pasos 2 a 3 cuando las condiciones de la recepción sean mejores.
  - Si no hay entrada de señal de TV, aparecerá "NO HAY SEÑAL DE TV" en la pantalla después de completar el barrido de canales.

### [AGREGACIÓN / BORRADO DE CANALES]

Es posible agregar o borrar los canales manualmente.

- 1 Seleccione "AJUSTE DE CANAL."
- 2 Seleccione "AGREGAR/BORRAR CA"
- 3 Seleccione el canal deseado
- 4 Agregue o borre el canal

Agregue: celeste  
Borre: rojo claro
- 5 Para salir del menú

- Notas:**
- Cuando desconecte la unidad del tomacorriente de CA o cuando tiene un corte eléctrico, se perderá el tiempo para dormir.
  - La pantalla de ajuste del temporizador para dormir desaparecerá automáticamente después de 10 segundos del funcionamiento.

## AJUSTE DEL TEMPORIZADOR PARA DORMIR

- 1 Seleccione "REPOSAR"

El tiempo aumenta en 10 minutos hasta 90.

## SYSTEMA DE SONIDO DE TELEVISION DE MULTIPLES CANALES (MTS)

- 1 Seleccione "SONIDO TV"
- 2 Seleccione el modo el sonido deseado
- 3 Para salir del menú

Selección de menú	MAIN	MONO	SAP*
Tipo de transmisión	Regular	-Ninguno-	-Ninguno-
Transmisión estéreo	ESTEREO	MONO	ESTEREO
SAP	MAIN	MAIN	SAP

**\*Segundo programa de audio (SAP) :**  
Su programa también puede recibirse en un segundo idioma o a veces una emisora de radio.

- Nota:**
- Si selecciona [SAP] cuando no hay un segundo audio disponible, el TV recibirá el audio normal.

## AJUSTE DE IMAGEN

- 1 Seleccione "IMAGEN"
- 2 Seleccione un ítem a ajustar
- 3 Ajuste la selección

- Notas:**
- La indicación desaparecerá automáticamente después de 10 segundos a menos que presione un botón.
  - El magnetismo de aparatos cercanos y de los altavoces puede afectar el color de la imagen de TV. En este caso, presione [POWER] para apagar el TV y vuelva a encender después de unos 30 minutos.

### CLARIDAD

Ajuste hasta que las partes más oscuras de la imagen tengan el brillo preferido.

- [-] : disminuye el brillo
- [+] : aumenta el brillo

### CONTRASTE

Ajuste para aumentar o reducir el contraste.

- [-] : disminuye el contraste
- [+] : aumenta el contraste

### COLOR

Ajuste el color a brillante o pálido.

- [-] : color pálido
- [+] : color brillante

### MATIZ

Ajuste para obtener tonos de piel naturales.

- [-] : agregue rojo
- [+] : agregue verde

### AGUDEZA

Ajuste para ver más detalles en la imagen.

- [-] : suave
- [+] : nítido

## AJUSTE DE LUZ DE FONDO

- 1 Seleccione "LUZ DE FONDO"

- 2 Seleccione el modo de brillo deseado
- 3 Para salir del menú

## SUBTITULOS NARRATIVOS

Puede ver el programa de TV con etiqueta especial (cc), películas, noticias y cintas pregabadas, etc. con el subtítulo de diálogo o con el texto agregado al programa.

- 1 Seleccione "TITULO"

- 2 Seleccione el modo subtítulo deseado
- 3 Para salir del menú

### [MODO DE TITULO (SUBTIT1, SUBTIT2)]

- SUBTIT1**  
muestra subtítulos narrativos normales (qué es lo que dice un personaje).
- SUBTIT2**  
muestra los subtítulos narrativos de un idioma extranjero (palabras en idioma extranjero mostrando lo que dice un personaje).
- Hay tres formas de mostrar de acuerdo con el programa:

- Modo pintado** : Muestra inmediatamente los caracteres entrados en la pantalla.
- Modo emergente** : Una vez memorizados los caracteres, aparecen de una vez.
- Modo de avance** : Muestra los caracteres continuamente en un rollo (máx. 4 líneas).

### [MODO DE TEXTO (TEXTO1, TEXTO2)]

- El TEXTO1 y TEXTO2 muestran texto en media pantalla mediante rollo (como una guía de canal, programa o avisos).

### Notas:

- Si no se transmite el subtítulo narrativo, no lo podrá recibir y no aparecerá nada.
- Cuando su TV recibe una señal de reproducción de efectos especiales (es decir, búsqueda, cámara lenta y congelada) de un canal de salida de video de la videgrabadora (CH3 o CH4), el TV puede no mostrar el subtítulo o texto correcto.
- Los subtítulo y textos pueden no coincidir exactamente con la voz del TV.
- Las interferencias pueden hacer que el sistema de subtítulo narrativo no funcione correctamente.
- Los caracteres de subtítulos o texto no aparecerán mientras aparezcan las indicaciones de menú o de funciones.
- Si aparece una caja negra en la pantalla, significa que el TV está en el modo de TEXTO. Para borrar la pantalla, seleccione TITULO [SUBTIT1], [SUBTIT2] u [OFF].

## AJUSTES OPCIONALES

### SELECCION DE IDIOMA

- 1 Seleccione "LANGUAGE"

- 2 Seleccione el idioma deseado
- 3 Para salir del menú

# GUIA DE LOCALIZACION DE PROBLEMAS

A veces el problema del funcionamiento puede resolverse fácilmente verificando posibilidades que son obvias pero se olvidó de confirmar. Antes de solicitar el servicio, verifique estos puntos. Le ahorrará tiempo y dinero.

LISTA DE VERIFICACION RAPIDA DE SERVICIO	PROBLEMA													
	Barras en la pantalla	Imagen distorsionada	Imagen avanza verticalmente	No hay color	Mala recepción en algunos canales	Imagen débil	Líneas o rayas en la imagen	Fantasmas en la imagen	Imagen borrosa	Sonido bueno, imagen mala	Sonido mala, imagen bueno	Ni imagen ni sonido	Diferentes marcos de color en pantalla	Punto negro o encendido en la pantalla
<b>POSSIBLE SOLUCION</b>														
Pruebe con un nuevo canal, si está bien, hay problema en la emisora.	X	X	X	X	X	X	X	X	X	X	X	X	X	X
¿Está enchufado el TV?														
¿Hay electricidad en el tomacorriente?														
¿Está encendido el TV?														
¿Hay un cable de antena conectado al terminal atrás del aparato?				X	X	X	X	X	X	X	X	X	X	X
Si se utiliza una antena externa, verifique por cable roto o conexión floja.	X	X	X	X	X	X	X	X	X	X	X	X	X	X
Verifique por interferencia local.	X	X	X	X	X	X	X	X	X	X	X	X	X	X
Apague el TV y vuelva a encender después de un minuto.													X	
Ajuste el control COLOR.				X										
Ajuste el control CONTRASTE y CLARIDAD.						X				X				
Aleje el TV de aparatos cercanos que generen campos magnéticos.														X
Apague con [POWER] y encienda después de 30 minutos.														
La temperatura alrededor está muy baja.		X				X				X				
La longevidad de la luz de fondo es de unas 50.000 horas. Solicite a su Taller de Servicio cuando sea necesario cambiarla.						X				X				
Es la calidad del panel de cristal líquido.														X

Problema de captión cerrada	Posible solución
Aparecen subtítulos con error de ortografía.	Los errores de ortografía pueden pasar inadvertidos por la empresa que prepara los subtítulos narrativos en una transmisión en vivo.
No aparece todo el texto o hubo un retardo en lo que dijo.	Los subtítulos con retardo de unos segundos detrás del diálogo real son comunes en las transmisiones en vivo. La mayoría de las empresas que preparan subtítulos pueden mostrar un diálogo a un máximo de 220 palabras por minuto. Si un diálogo supera esa velocidad, se utiliza una edición selectiva para que los subtítulos sigan el diálogo actual en la pantalla de TV.
Los subtítulos aparecen mal con recuadros blancos en la pantalla de TV.	La interferencia de edificios, líneas de tensión, tormentas, etc. pueden hacer que el subtítulos aparezca mal o incompleta.
No aparecen subtítulos en un programa que debería tener subtítulos narrativos.	Las emisoras pueden utilizar un proceso de compresión de tiempo en el programa para dar más tiempo de publicidad. En este caso, los subtítulos pueden perderse porque el decodificador no puede leer la información comprimida.
No aparecen captiones cuando reproduce una videocinta pregrabada con subtítulo narrativo.	La videocinta puede ser una copia ilegal de la cinta o la empresa que hizo copias puede haber perdido accidentalmente las señales de subtítulos durante el copiado.
La pantalla de TV muestra un recuadro negro.	Está en el modo de TEXTO. Seleccione [SUBTIT1], [SUBTIT2] u [OFF].

El panel de cristal líquido se fabricó para que disfrute de muchos años de uso. A veces pueden aparecer algunos pixeles no activos como minúsculas manchas de color. Esto no se considera un defecto de la pantalla de cristal líquido.

## MEMO

# MANTENIMIENTO

## LIMPIEZA DEL MUEBLE

- Frote el panel frontal y otras superficies exteriores del TV con un paño suave empapado en agua tibia y estrujado.
- Nunca utilice un disolvente o alcohol. No rocíe líquido insecticida cerca del TV. Estos químicos pueden dañar la superficie expuesta o perder color.

## LIMPIEZA DE LA PANTALLA DE IMAGEN

Si fuera necesario limpiar el panel de crystal líquido, frote con un paño de algodón o tela blanda. Antes de limpiarlo, desconecte el cable de alimentación de energía.

# ACCESORIOS ENTREGADOS

- Manual del usuario (1EMN20549)

# ESPECIFICACIONES

## ESPECIFICACIONES GENERALES

Sistema de televisión: NTSC-M  
TV normal

Sistema de subtítulos narrativos: §15.119/FCC

Channel coverage

VHF: 2 – 13  
UHF: 14 – 69  
CATV: 2 – 13, A – W, W+1 – W+84, A-5 – A-1, 5A

Sistema de sintonización: Sistema de sintonización sintetizada de frecuencia de 181 canales

Acceso de canal: Teclado de acceso directo, programable para barrido arriba/abajo

Terminales

Entrada de antena: VHF/UHF/CATV  
75 ohmios desequilibrado (tipo F)  
Entrada S-Video: Toma de 4 patillas Mini DIN  
Entrada de video: Conector RCA x 1  
Entrada de audio: Conector RCA x 4  
Salida de video componente:  
Toma de un pasador (Y), 1Vpp (75 ohmios)  
Tomas de dos pasadores (Pr)/(Pb), 700mVpp (75 ohmios)  
Casco auricular: 1/8 pulg. esteriofonía (3,5mm)

Sistema de sonido de estereofonía  
2 altavoces  
2 entrada de video/audio

## ESPECIFICACIONES ELECTRICAS

Salida de sonido: 1W, 8 ohmios x 2

## OTRAS ESPECIFICACIONES

Temperatura de funcionamiento: 5°C a 40°C  
(41°F – 104°F)

Requisitos eléctricos: CA de 120V, 60Hz

Consumo eléctrico

(Máximo): 45W

LCD: 15"

Dimensiones(Al. x An. x Prof.):

Marco para fotos abierto  
13-7/16 pulg. x 15-3/16 pulg. x 8-1/8 pulg.  
(341mm x 385mm x 206mm)

Marco para fotos cerrado  
14-5/16 pulg. x 15-3/16 pulg. x 3-1/8 pulg.  
(363mm x 385mm x 80mm)

Peso:  
Con marco para fotos: 7,3 lbs. (3,3kg)  
Sin marco para fotos: 6,8 lbs. (3,1kg)

•El diseño y las especificaciones están sujetos a cambios sin previo aviso y sin obligación legal.

•Si hay una diferencia entre idiomas, el idioma básico será el inglés.



## Free Manuals Download Website

<http://myh66.com>

<http://usermanuals.us>

<http://www.somanuals.com>

<http://www.4manuals.cc>

<http://www.manual-lib.com>

<http://www.404manual.com>

<http://www.luxmanual.com>

<http://aubethermostatmanual.com>

Golf course search by state

<http://golfingnear.com>

Email search by domain

<http://emailbydomain.com>

Auto manuals search

<http://auto.somanuals.com>

TV manuals search

<http://tv.somanuals.com>