

SYLVANIA Emergency Lighting

Installation Instructions

Installation Instructions for Emergency Lights Model SC36, SC11

SAVE THESE INSTRUCTIONS

- Before Installation, read instructions and understand all safety information.

WHEN INSTALLING AND USING ELECTRICAL EQUIPMENT, ALL WORK SHOULD BE PERFORMED BY A LICENSED ELECTRICIAN AND BASIC SAFETY PRECAUTIONS SHOULD ALWAYS BE OBSERVED INCLUDING BUT NOT LIMITED TO THE FOLLOWING:

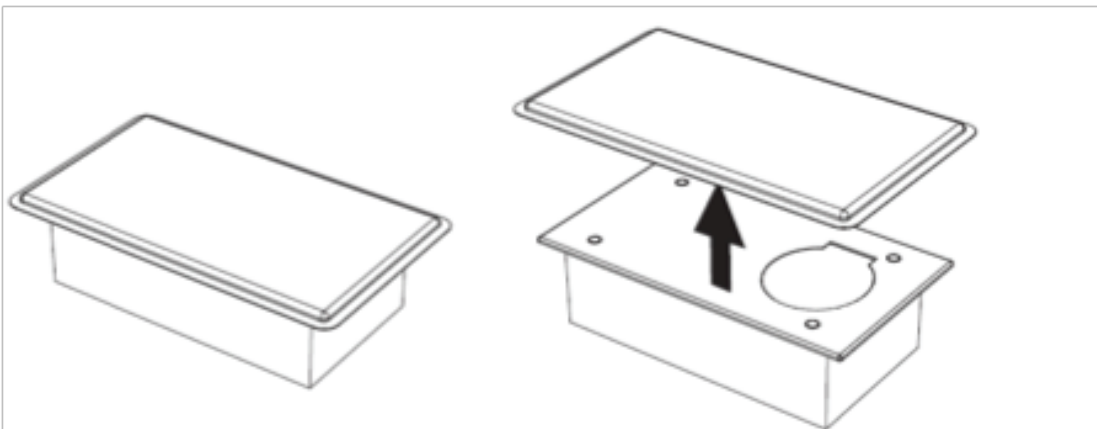


- To prevent shock or damage, turn power off before inspection, installation or removal.
- The use of accessory equipment is not recommended and may cause an unsafe condition.
- Do not use this electrical equipment for other than its specific intended purpose.
- This unit has been supplied with specified lamps. To avoid malfunction, use only lamps specified by manufacturer.
- To avoid risk of fire, do not store or place flammable materials near lamp.
- Use caution when changing or inspecting lamps as they can become hot and may cause burns if handled improperly.
- To avoid electrocution or property damage, do not install or use where exposed directly to water or outdoor weather conditions.
- This product contains a chemical known to the state of California to cause cancer, birth defects or other reproductive harm.

INSTALLATION

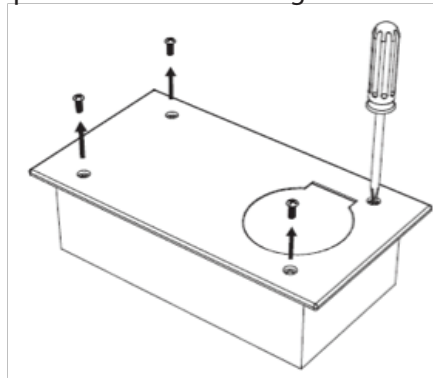
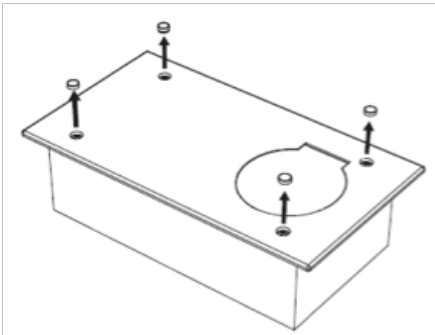
Step 1:

Remove dust cover from unit by applying gentle, even pressure around edges. If you are installing the light during a building construction phase, please save dust cover for reinstallation to protect the unit prior to the final connection by electrician.



Step 2:

Remove cover plate by first removing the screw caps and then unscrewing the screws. Save screws.



Step 3:

If installing into OPEN wall or ceiling in NEW construction, set adjustable flange to proper depth according to the thickness of the drywall you plan to use. Measure height and depth of installation and use two of the four screws - to anchor the flange to the stud. A standard hanger bar can also be utilized for more stability.

After installing the unit, secure interior plastic dust cover to metal unit box by lining the dust cover up with the screw holes on the metal box and applying gentle even pressure until it snaps into place. If cover does not fit properly, please tape in place for extra securing. This dust cover protects important electronic components within the unit from dust and debris, leave dust cover in place until final wiring connections are made and then discard. Final step is to install front painted cover plate with provided screws and plastic screw covers.

If RETROFITTING installation into EXISTING drywall, set adjustable flanges to be even with top of metal box. Cut hole in ceiling or wall using provided plastic template and secure metal housing in using your desired drywall screws, or the ones provided with unit.

If installing into drop ceiling, use a hanger bar designed to secure fixtures of similar weight. (Check specification sheet for weight.) Adjust flanges to proper depth of ceiling tile. Flange will secure above ceiling tile. This will provide additional support.

Step 4:

With no power to unit (AC circuit breaker switched off) feed AC wire through knockout (KO) on metal housing. Connect AC wiring to internal wire leads provided within unit.

For connecting to 120Vac power source, connect BLACK lead wire (Phase), WHITE lead wire (Neutral) and GREEN lead wire (Ground). Use wire nuts on all wire connections.

For connecting to 277Vac power source, connect ORANGE lead wire (Phase), WHITE lead wire (Neutral) and GREEN wire (Ground) Use wire nuts on all wire connections.

Connect wiring to emergency light in accordance with NEC and / or local regulations.



Be sure to not cross the wires during connection or serious damage to the emergency light unit can occur.

Step 5:

Turn ON AC the power supply to emergency light unit. The Green LED will light.

Then securely connect the white battery lead wire that can be found taped to the top of the battery, to the positive (+) terminal on the internal battery.

To test the unit, gently depress and hold the green LED button and the lens housing will automatically extend outward to the open position and the lamps will turn on. Release the green LED button and the unit will automatically retract and the lamps will turn off.

Replace front cover plate via metal screws and screw cap covers.

Green LED charge indicator will stay on as an indication that AC power is energizing the fixture and the internal rechargeable battery is charging.

MAINTENANCE

NOTICE

Replace internal battery every three years or according to ambient temperature guidelines provided by battery unit manufacturer (sold separately), to ensure proper operation.

NOTE: Servicing of parts should be performed by qualified service personnel. For replacement lamps or batteries, contact your local representative.

Painting or wallpapering front cover plate:

1. When painting cover plate, be sure to first use a primer coat, prior to final color matching.
2. After each coat of paint, ENSURE FREE MOVEMENT OF THE LENS DOOR by opening and closing it several times until paint is completely dry. When paint is completely dry, test unit operation using the push to test GREEN led button. If door sticks, safely trim residual paint from around lens door with utility knife or similar tool and test unit operation again.
3. When wallpapering the cover plate, be sure to trim around the edges of the lens door to ENSURE FREE MOVEMENT. After wallpaper is installed, test the unit operation via the push to test GREEN led button.

OPERATION

To test existing unit when fully installed in wall or ceiling, depress and hold GREEN led/ac test switch. Lamp housing will automatically extend outward and lamps will illuminate. After test, release GREEN led/ac switch to return housing to original position.

NOTICE

This SC Series Emergency Light is furnished with a sophisticated low voltage battery dropout circuit to protect the battery from over discharge after the useful output has been reached. Allow 24 hour recharge time after installation or power failure for full load testing.



Questions, problems, missing parts? Before returning to your retailer, call our customer service department at 1-800-LIGHTBULB (1-800-544-4828)

Imported by:
OSRAM SYLVANIA Inc.
54 Cherry Hill
Danvers, MA 01923
Made in China

SYLVANIA is a registered trademark of OSRAM SYLVANIA Inc.

Copyright © 2011 OSRAM SYLVANIA Inc. 04/20

Free Manuals Download Website

<http://myh66.com>

<http://usermanuals.us>

<http://www.somanuals.com>

<http://www.4manuals.cc>

<http://www.manual-lib.com>

<http://www.404manual.com>

<http://www.luxmanual.com>

<http://aubethermostatmanual.com>

Golf course search by state

<http://golfingnear.com>

Email search by domain

<http://emailbydomain.com>

Auto manuals search

<http://auto.somanuals.com>

TV manuals search

<http://tv.somanuals.com>